

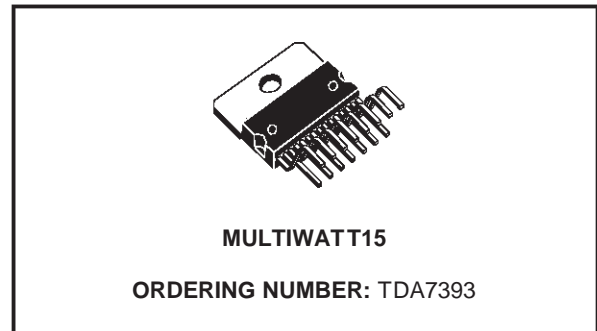


## 2 x 32W DUAL BRIDGE CAR RADIO AMPLIFIER

- HIGH OUTPUT POWER CAPABILITY:
  - 2 x 35W max./4Ω
  - 2 x 32W EIAJ/4Ω
  - 2 x 22W typ./4Ω @ 14.4V, 1KHz, 10%
  - 2 x 19W typ./4Ω @ 13.2V, 1KHz, 10%
  - 2 x 28W typ./2Ω @ 14.4V, 1KHz, 10%
  - 2 x 25W typ./2Ω @ 13.2V, 1KHz, 10%
- LOW DISTORTION
- LOW OUTPUT NOISE
- ST-BY FUNCTION
- MUTE FUNCTION
- AUTO-MUTE AT MIN. SUPPLY VOLTAGE DETECTION
- LOW EXTERNAL COMPONENT COUNT
  - INTERNALLY FIXED GAIN (32dB)
  - NO EXTERNAL COMPENSATION
  - NO BOOTSTRAP CAPACITORS
- ADDITIONAL MONO INPUT

### PROTECTIONS:

- OUTPUT AC/DC SHORT CIRCUIT TO GND AND TO  $V_S$
- VERY INDUCTIVE LOADS
- OVERRATING CHIP TEMPERATURE WITH SOFT THERMAL LIMITER

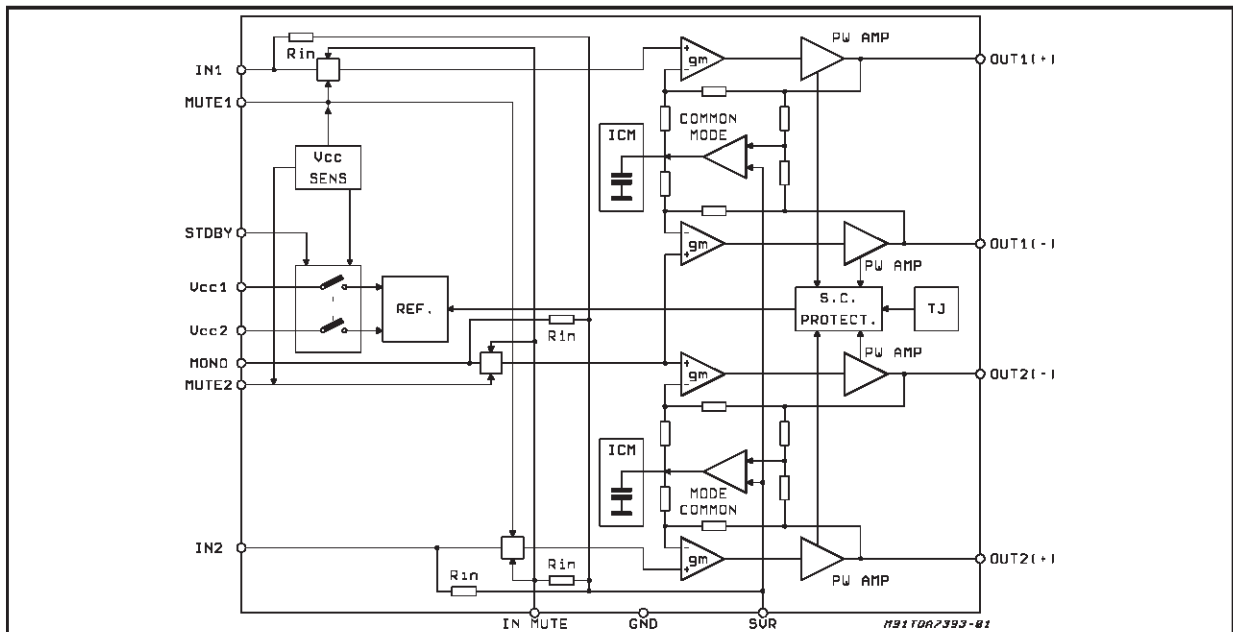


- LOAD DUMP VOLTAGE
- FORTUITOUS OPEN GND
- REVERSE BATTERY
- ESD PROTECTION

### DESCRIPTION

The TDA7393 is a new technology class AB Audio Power Amplifier in Multiwatt15 package designed for high end car radio applications. Thanks to the fully complementary PNP/NPN output configuration the high power performances of the TDA7393 are obtained without bootstrap capacitors. The extremely reduced components count

### BLOCK DIAGRAM



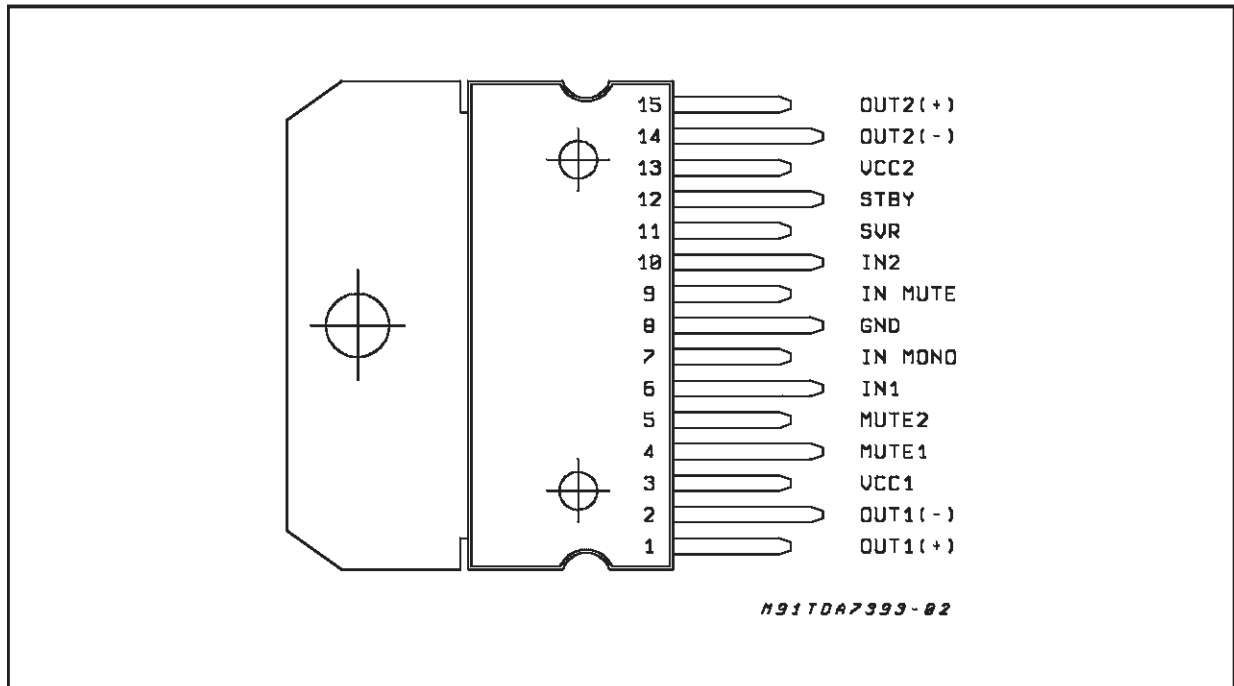
## TDA7393

### ABSOLUTE MAXIMUM RATINGS

Symbol	Parameter	Value	Unit
$V_{CC}$	Operating Supply Voltage	18	V
$V_{CC(DC)}$	DC Supply Voltage	28	V
$V_{CC(pk)}$	Peak Supply Voltage (t = 50ms)	50	V
$I_o$	Output Peak Current: Repetitive (Duty Cycle 10% at f = 10Hz) Non Repetitive (t = 100 $\mu$ s)	4.5	A
		5.5	A
$P_{tot}$	Power dissipation, Tcase = 75°C (see derating curve)	50	W
$T_j$	Junction Temperature	150	°C
$T_{op}$	Operating Ambient Temperature	- 40 to 85	°C
$T_{stg}$	Storage Temperature	- 55 to 150	°C

allows very compact sets.

### PIN CONNECTION (Top view)



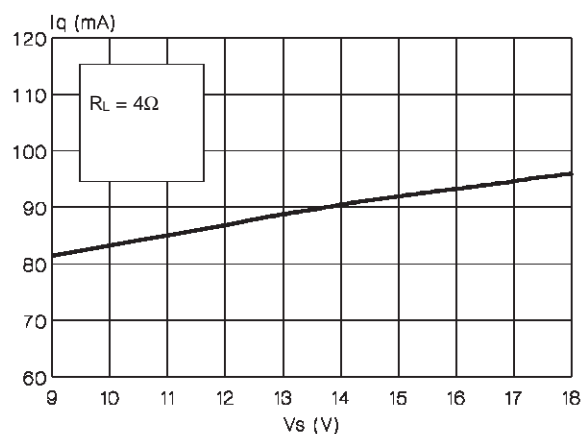
### THERMAL DATA

Symbol	Parameter	Value	Unit
$R_{th(j-case)}$	Thermal Resistance Junction to Case	Max. 1.5	°C/W

**ELECTRICAL CHARACTERISTICS** ( $V_S = 13.2V$ ;  $f = 1KHz$ ;  $R_g = 600\Omega$ ;  $R_L = 4\Omega$ ;  $T_{amb} = 25^\circ C$ ;  
Refer to the application circuit, unless otherwise specified.)

Symbol	Parameter	Test Condition	Min.	Typ.	Max.	Unit
$I_{q1}$	Quiescent Current			90	180	mA
$V_{OS}$	Output Offset Voltage				150	mV
$G_v$	Voltage Gain		30.5	32	33.5	dB
$P_o$	Output Power	THD = 10%; $V_S = 14.4V$ THD = 10% THD = 1% THD = 10%; $R_L = 2\Omega$ THD = 10%; $V_S = 14.4V$ ; $R_L = 2\Omega$	17	22 19 16 25 28		W W W W W
$P_{o\ max}$	Max. Output Power	EIAJ RULES; $V_S = 13.7V$		30		W
THD	Distortion	$P_o = 0.1$ to 8W		0.08	0.3	%
$e_{No}$	Output Noise	Bw = 20Hz to 20KHz			0.3	mVrms
SVR	Supply Voltage Rejection	$f = 100Hz$ (stereo)		60		dB
$f_L$	Low Cut-Off Frequency			10		Hz
$f_H$	High Cut-Off Frequency			300		KHz
$R_i$	Input Impedance		10	15	20	K $\Omega$
$C_T$	Cross Talk	$f = 1KHz$	50	65		dB
$I_{SB}$	St-By Current Consumption				100	$\mu A$
$V_{SB\ out}$	St-By OUT Threshold Voltage	Amp. ON	3.5			V
$V_{SB\ in}$	St-By IN Threshold Voltage	Amp. OFF			1.5	V
$V_{SB}$	Supply Dependent St-By Threshold	St-By = H, $V_S$ reducing/increasing		7.5	8.3	V
$A_M$	Mute Attenuation	$V_O = 1V_{rms}$		75		dB
$V_{M\ out}$	Mute OUT Threshold Voltage	Amp. Play	3.5			V
$V_{M\ in}$	Mute IN Threshold Voltage	Amp. Mute			1.5	V
$V_M$	Supply Dependent Mute Threshold	Mute = IN, $V_S$ reducing/increasing		8.5	9.3	V
$I_m(L)$	Muting Pin Current	$V_{MUTE} = 1.5V$ (Sourced Current)	6	10	14	$\mu A$
$I_m(H)$	Muting Pin Current	$V_{MUTE} = 3.5V$ (Sourced Current)	6	10	14	$\mu A$

**Figure 1:** Quiescent Current vs. Supply Voltage



**Figure 2:** Output Power vs. Supply Voltage

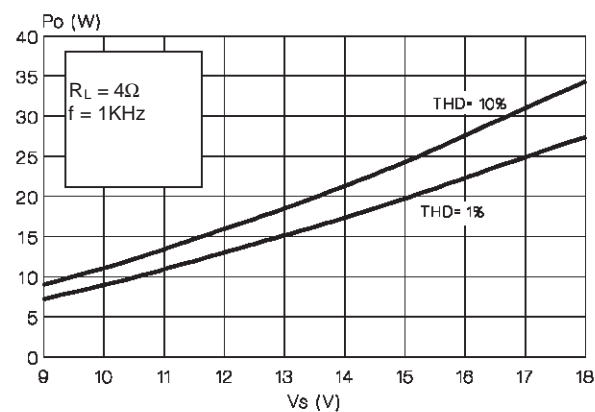


Figure 3: Output Power vs Supply Voltage

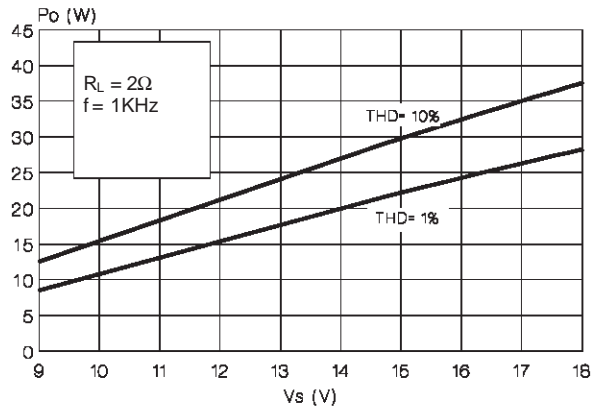


Figure 4: EIAJ Power vs. Supply Voltage

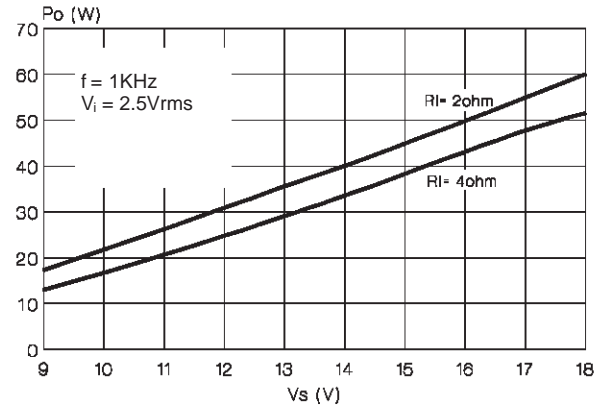


Figure 5: Cross-Talk vs. Frequency

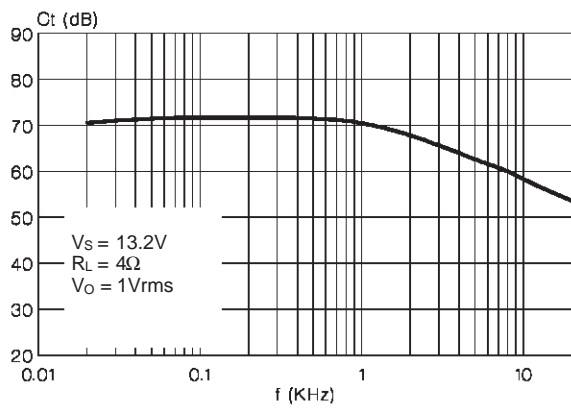


Figure 6: SVR vs. Frequency

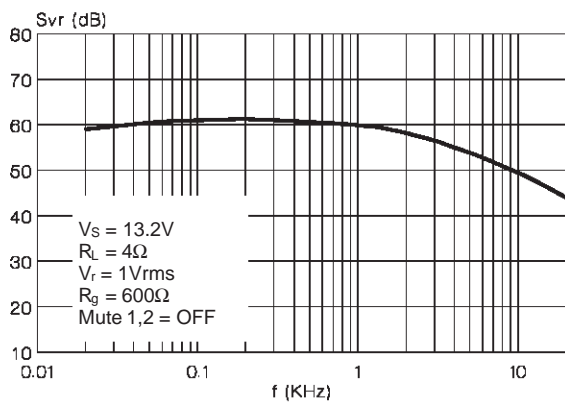


Figure 7: Distortion vs. Frequency

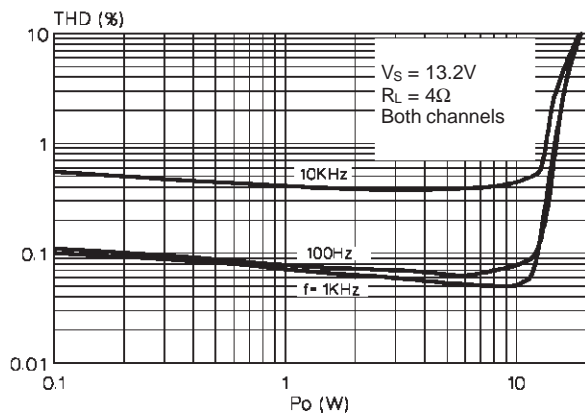


Figure 8: Distortion vs. Frequency

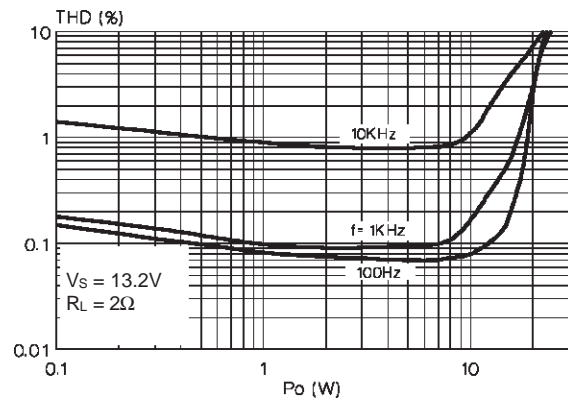


Figure 9: Block Diagram of Mute Circuit

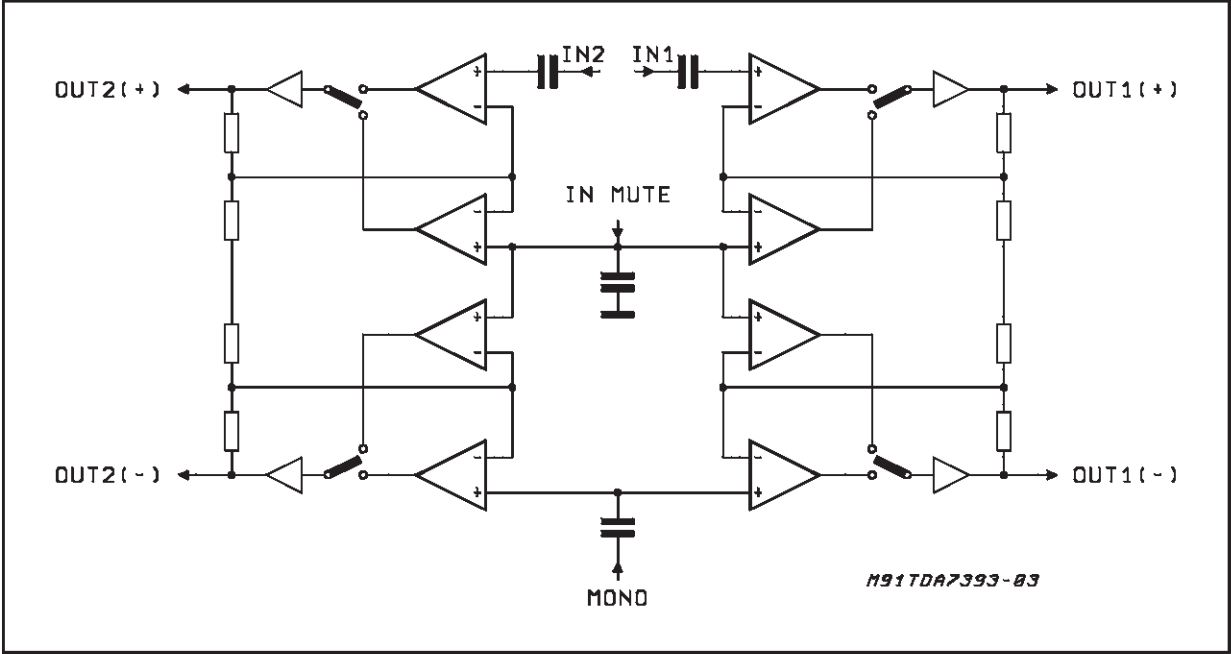


Figure 10: Explanatory Waveforms Of Mute Circuit

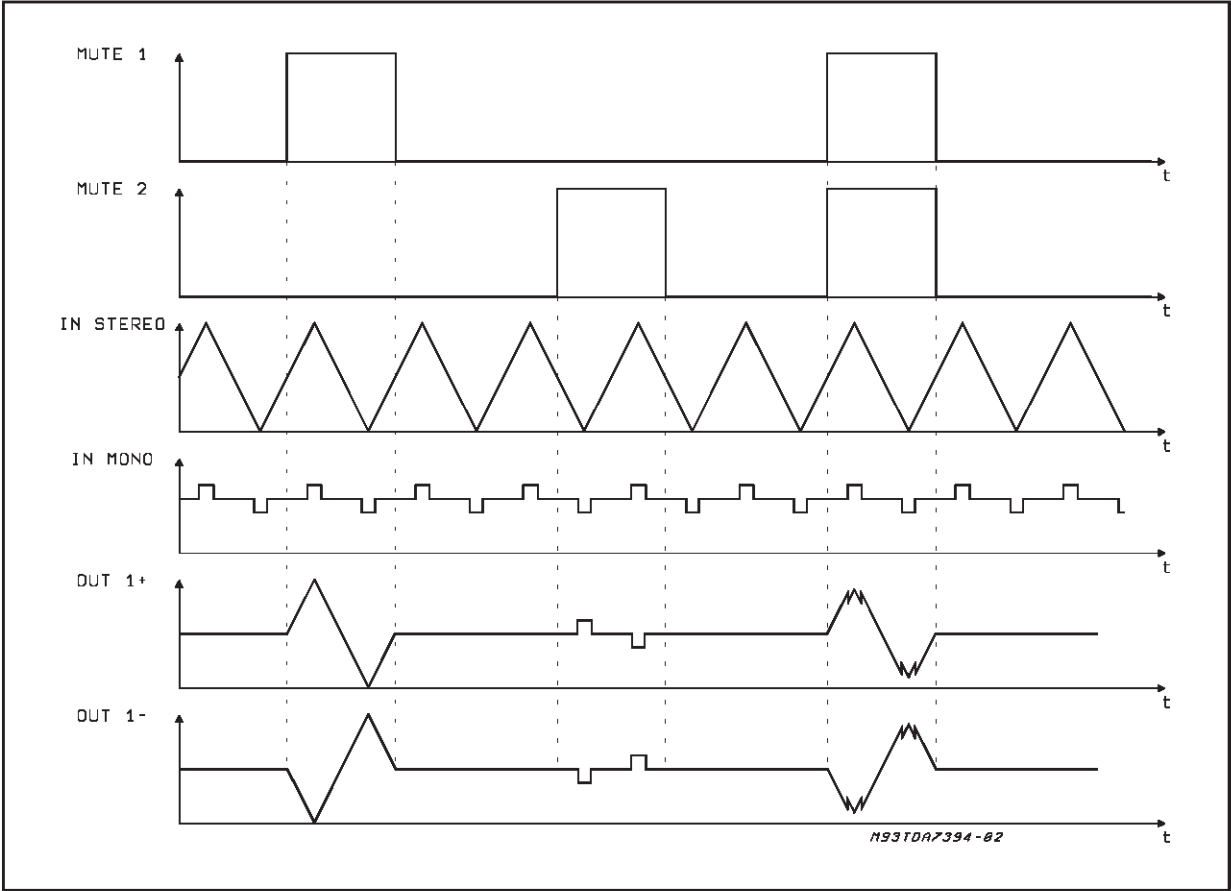


Figure 11: Application Circuit

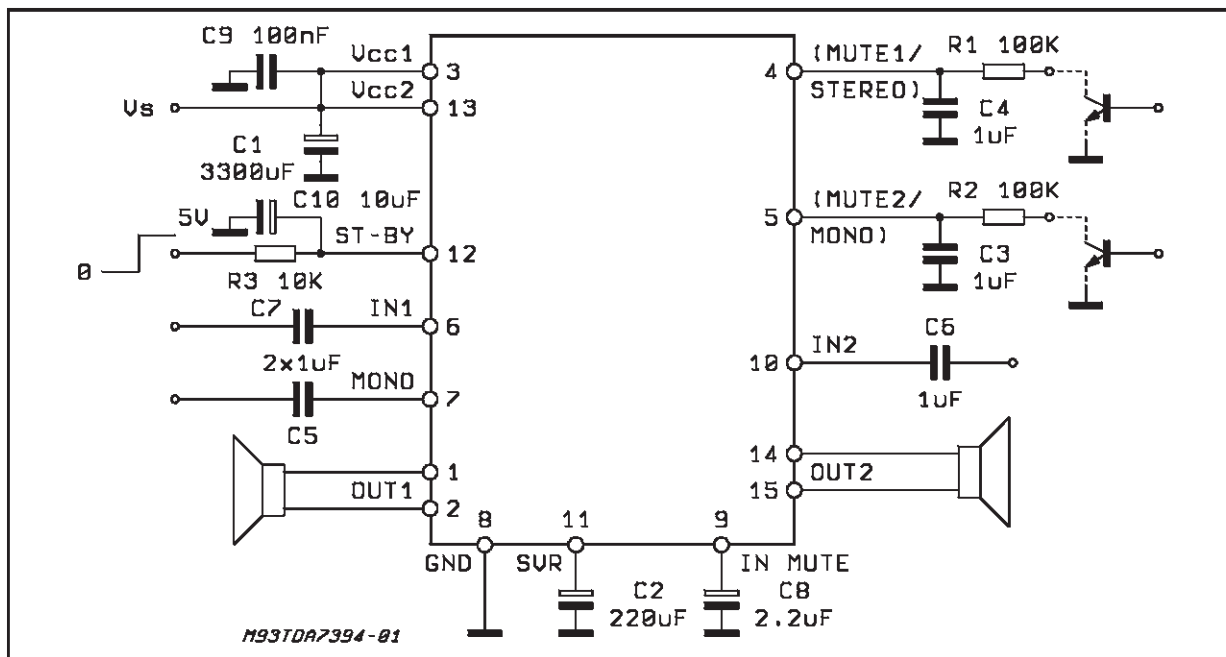


Figure 12: P.C. Board and Component Layout of the fig. 11 (1:1 scale)

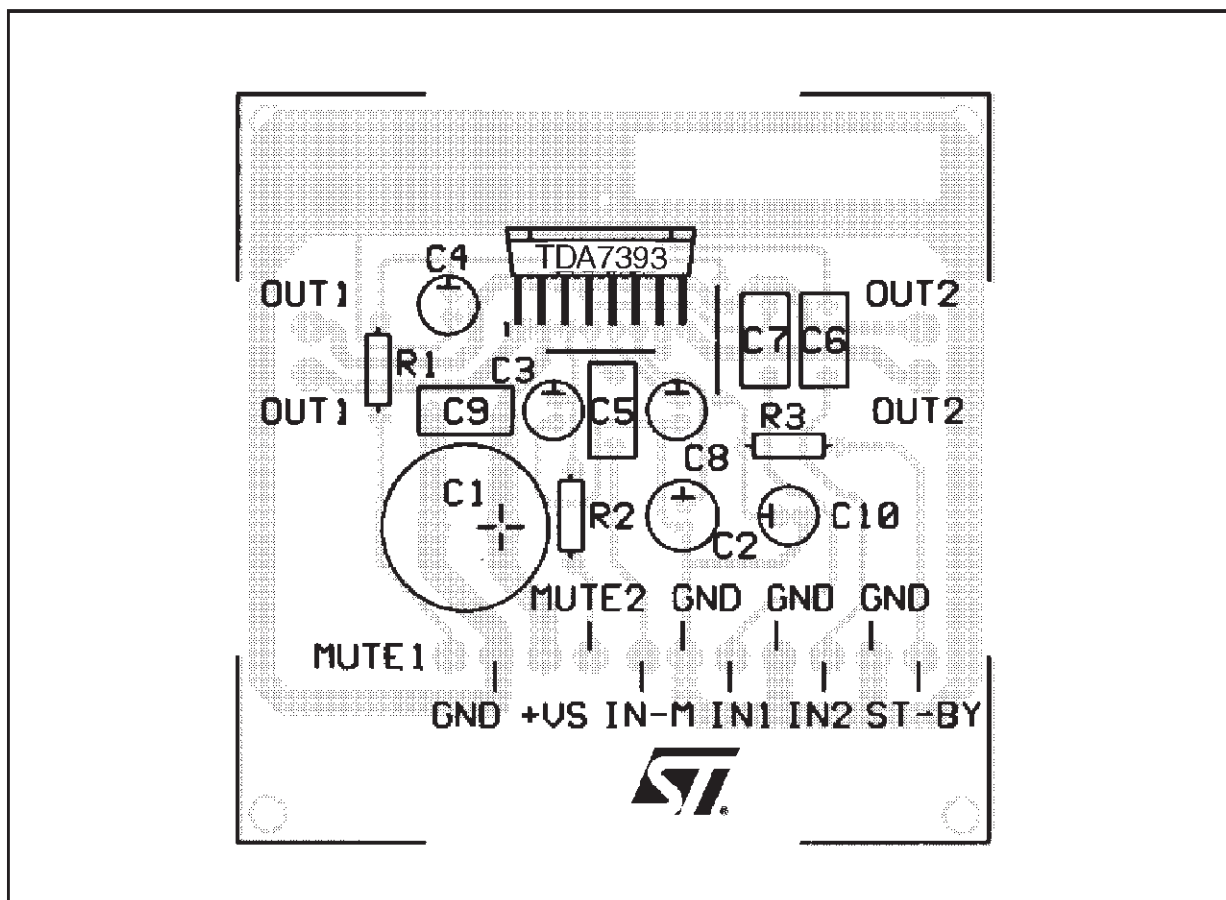
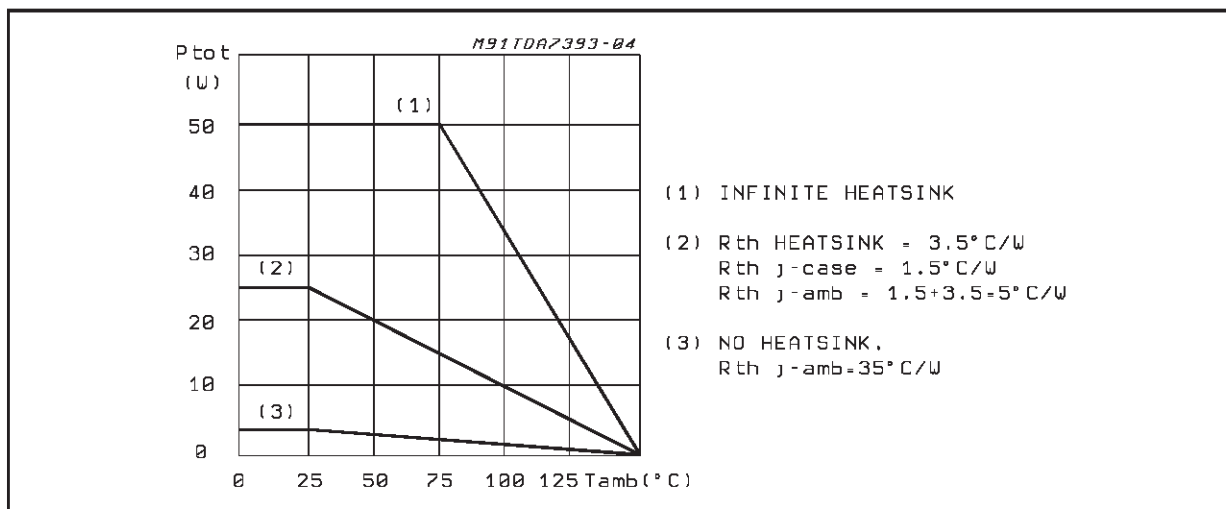


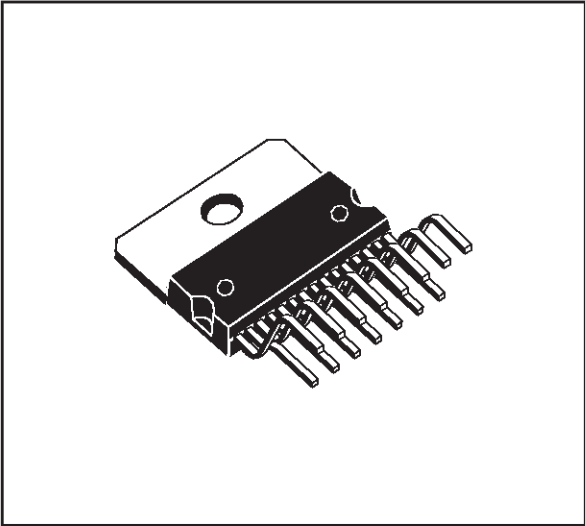
Figure 13: Power Dissipation Derating Curve



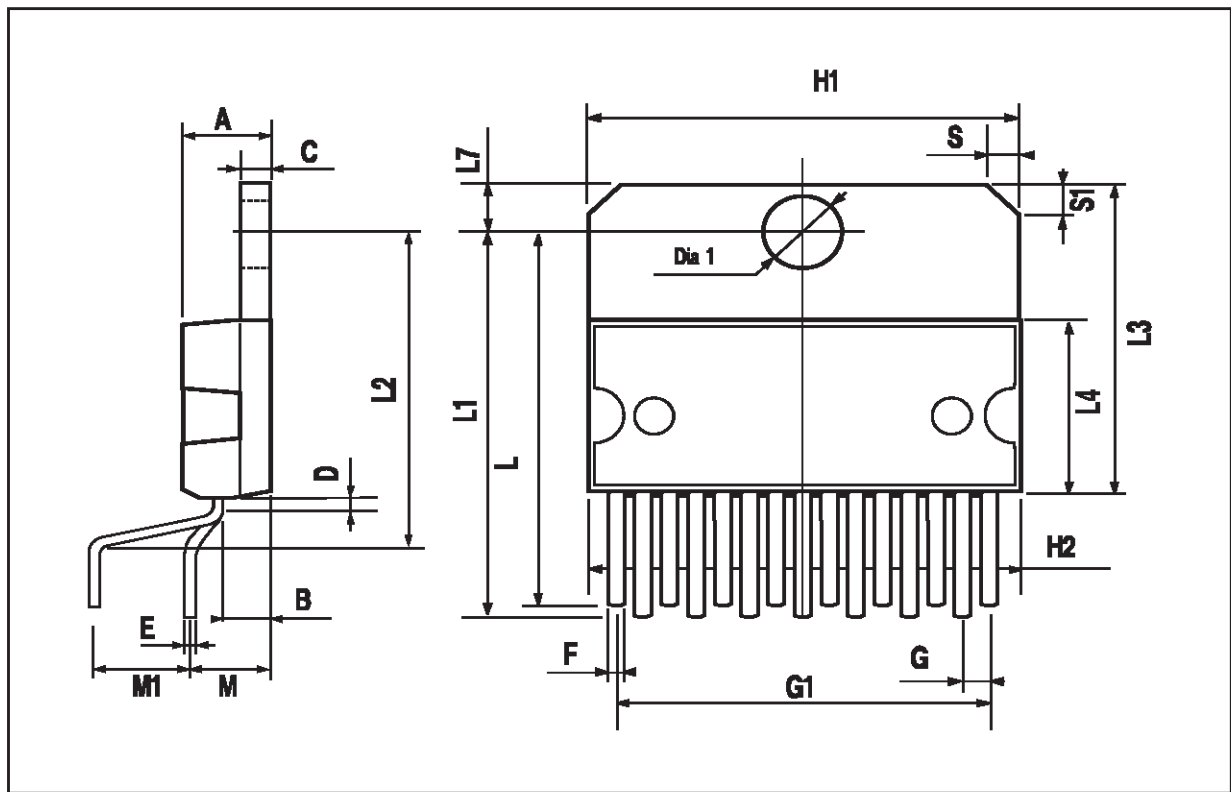
MULTIWATT15 PACKAGE MECHANICAL DATA

DIM.	mm			inch		
	MIN.	TYP.	MAX.	MIN.	TYP.	MAX.
A			5			0.197
B			2.65			0.104
C			1.6			0.063
D		1			0.039	
E	0.49		0.55	0.019		0.022
F	0.66		0.75	0.026		0.030
G	1.02	1.27	1.52	0.040	0.050	0.060
G1	17.53	17.78	18.03	0.690	0.700	0.710
H1	19.6			0.772		
H2			20.2			0.795
L	21.9	22.2	22.5	0.862	0.874	0.886
L1	21.7	22.1	22.5	0.854	0.870	0.886
L2	17.65		18.1	0.695		0.713
L3	17.25	17.5	17.75	0.679	0.689	0.699
L4	10.3	10.7	10.9	0.406	0.421	0.429
L7	2.65		2.9	0.104		0.114
M	4.25	4.55	4.85	0.167	0.179	0.191
M1	4.63	5.08	5.53	0.182	0.200	0.218
S	1.9		2.6	0.075		0.102
S1	1.9		2.6	0.075		0.102
Dia1	3.65		3.85	0.144		0.152

OUTLINE AND MECHANICAL DATA



Multiwatt15 V





Information furnished is believed to be accurate and reliable. However, STMicroelectronics assumes no responsibility for the consequences of use of such information nor for any infringement of patents or other rights of third parties which may result from its use. No license is granted by implication or otherwise under any patent or patent rights of STMicroelectronics. Specification mentioned in this publication are subject to change without notice. This publication supersedes and replaces all information previously supplied. STMicroelectronics products are not authorized for use as critical components in life support devices or systems without express written approval of STMicroelectronics.

**The ST logo is a registered trademark of STMicroelectronics**

© 1998 STMicroelectronics – Printed in Italy – All Rights Reserved

**MULTIWATT® is a Registered Trademark of the STMicroelectronics**

STMicroelectronics GROUP OF COMPANIES

Australia - Brazil - Canada - China - France - Germany - Italy - Japan - Korea - Malaysia - Malta - Mexico - Morocco - The Netherlands - Singapore - Spain - Sweden - Switzerland - Taiwan - Thailand - United Kingdom - U.S.A.

<http://www.st.com>