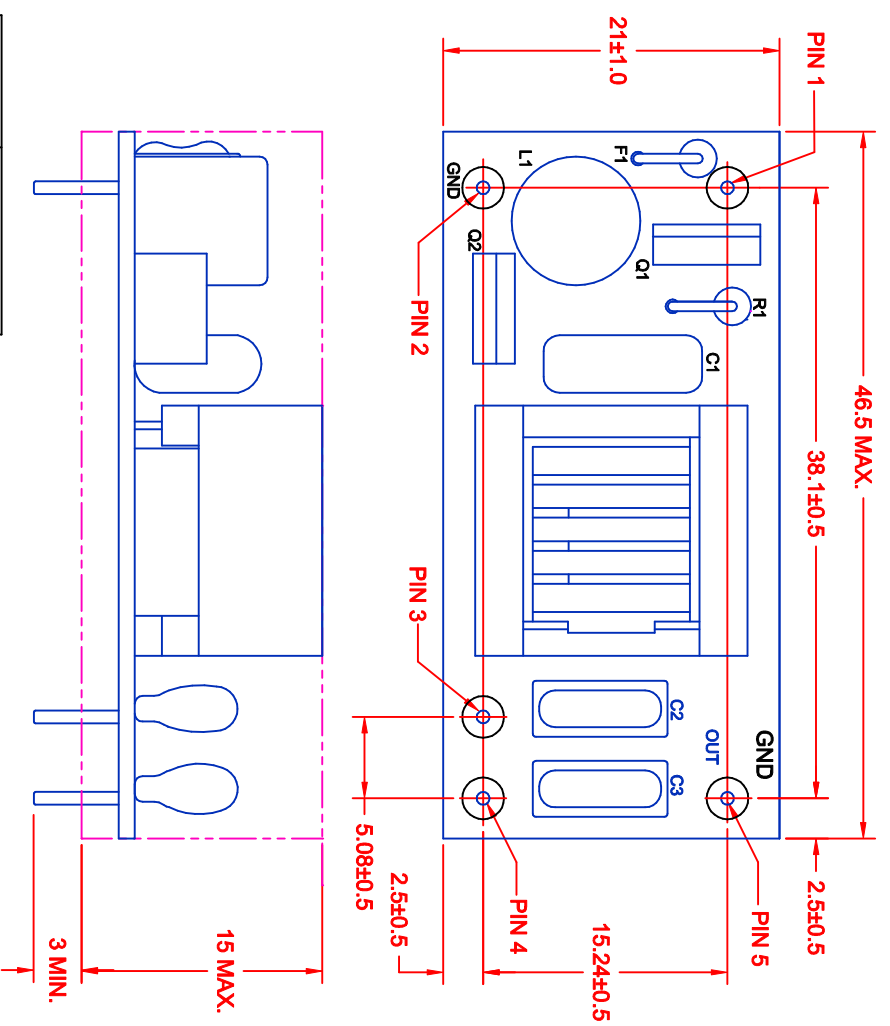


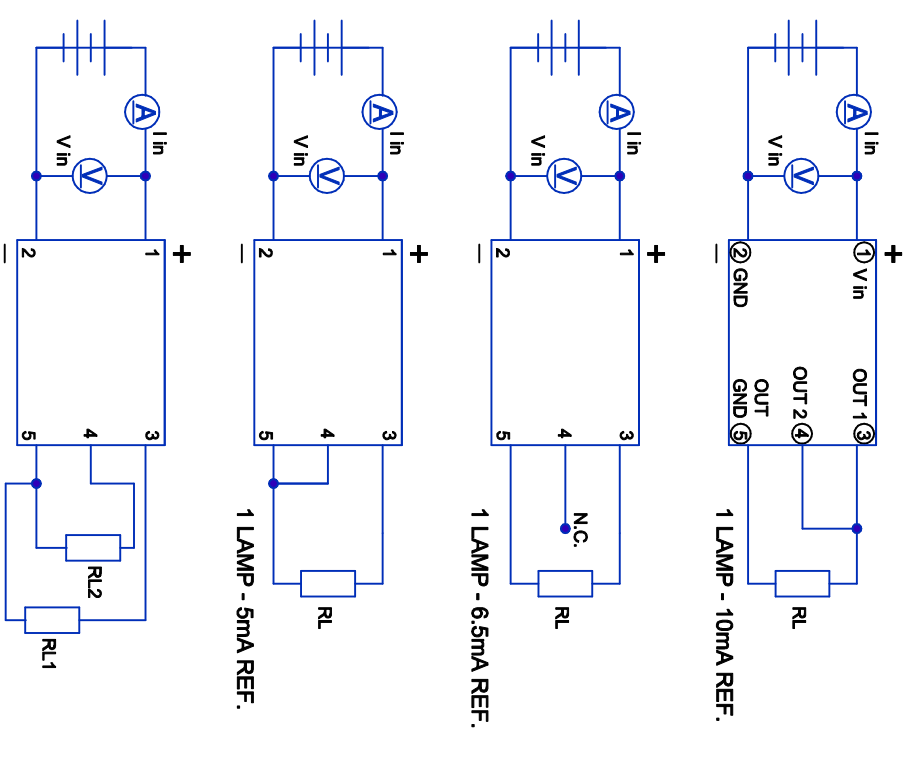
REV.	DESCRIPTION/ECCO NO.	DATE
	RELEASED	3/10/03
A	DIM. CHANGE	3/27/03



**CAUTION:**  
**REVERSE POLARITY TO INVERTER**  
**INPUT WILL CAUSE AN OPEN CIRCUIT**  
**IN FUSE F1.**

BOARD PIN #	INPUT
1	+V (V In)
2	V (GND)
3	OUT 1
4	OUT2
5	OUT (GND)

CHARACTERISTICS	MIN	TYP	MAX
INPUT VOLTAGE: (Vdc)	10.8	12.0	13.2
INPUT CURRENT: (mA)	220	260	500
OUTPUT VOLTAGE: (Vrms)	950	1000	1050
OUTPUT CURRENT (mA) x 2	4.5	5.5	6.5
OUTPUT FREQUENCY: (KHz)	25	35	45
OPERATING TEMP: (CELSIUS)	0	25	50



<b>METRIC</b>	<b>DIMENSIONS ARE IN MILLIMETERS</b>	<b>TITLE</b>	
	THIRD ANGLE PROJECTION	12 V CCFL POWER SUPPLY	
DRAWN BY L. WENGSTROM	APPROV'D BY F.D.	DATE 3/27/03	DATE 3/27/03
- CAD DRAWING - MANUAL REVISIONS NOT PERMITTED		SCALE NONE	REV. SHEET A OF
J&K COMPONENTS CORPORATION		DRAWING NO. BXA-12529	
TOLERANCE UNLESS OTHERWISE SPECIFIED		FSCM NO. 55335	
1 PL +/- 0.3		NO.	
2 PL +/- 0		RELEASED DATE 3/10/03	
ANGLE +/-		REVISION DATE 3/27/03	