

# CXA-0420

## Dimming/Connector Type

### ■ Features

- 2-output
  - Applicable panel size\*: 5 to 8 inches
  - With brightness control function (Pulse Wide Modulation mode).
  - With shut down function.
  - With a sensing function for running out of lamp (alarm output).
  - In the high-voltage generator(a terminal and a pattern), an anti-dust measure by silicone application is taken.
- (Notice) Applicable panel size becomes a standard.

### ■ Applications



## CXA-0420 Specifications (Please refer to each specification before use)

### Electrical Characteristics

Item	Unit	Symbol	Specification			Condition						Remark
			min	typ	max	Vin(V)	Vrmt(V)	Vbr(V)	Rbr(kΩ)	Ta(°C)	RL(kΩ)	
Output Current	mA	Iout (Maximum dimmer)	4.5	5.0	5.5	4.5 to 13.2	5	2.5	-	-10 to +75	70	Voltage dimmer (*1)
			4.5	5.0	5.5	4.5 to 13.2	5	-	10	-10 to +75	70	Volume dimmer (*1)
		Iout (Minimum dimmer)	2.0	2.5	3.0	4.5 to 13.2	5	0	-	-10 to +75	70	Voltage dimmer (*1)
			2.0	2.5	3.0	4.5 to 13.2	5	-	0	-10 to +75	70	Volume dimmer (*1)
Input Current	A	Iin1	-	1.05	1.35	5±0.05	5	2.5	10	-10 to +75	70	
	A	Iin2	-	0.50	0.63	12±0.05	5	2.5	10	-10 to +75	70	Remote ON
	mA	Iin3	-	0.5	1.0	4.5 to 13.2	0	2.5	10	-10 to +75	70	Remote OFF
Frequency	kHz	Freq1	50	55	60	4.5 to 13.2	5	2.5	10	-10 to +75	70	
	Hz	Freq2(Duty frequency)	240	255	269	4.5 to 13.2	5	0	-	-10 to +75	70	
Open Circuit Voltage	Vrms	Vopen	1100	1300	1600	4.5min.	5	2.5	10	-10 to +75	∞	Open load
Alarm Signal	V	Vst	4.5	5.0	5.5	4.5 to 13.2	5	2.5	10	-10 to +75	∞	In case of lamp anomaly (*2)
			-	0	0.5	4.5 to 13.2	5	2.5	10	-10 to +75	70	On a normal operation (*2)

(\*1) Please refer to the connection diagram for details of a dimming method.

(\*2) Please refer to the connection diagram for details of alarm output.

### Other Specifications

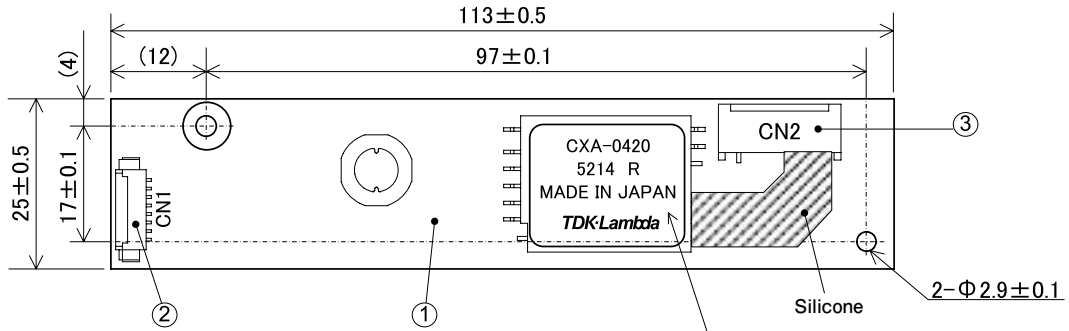
Dimming Function		Yes
Operating Temperature	°C	-10 to +75
Storage Temperature	°C	-20 to +85
Operating Humidity Ratio	RH%	95Max
Safety Standard		-
Weight	g	20
Dimensions(WxDxH)	mm	113x25x8.5 (*3)
Fused Input		Yes
Remote ON / OFF		Yes
Alarm Signal Function		Yes
Shutdown Function		Yes
Silicone Coating on High Voltage Area		Yes

(\*3) These dimensions are indicated the maximum only H. Others are typical values.

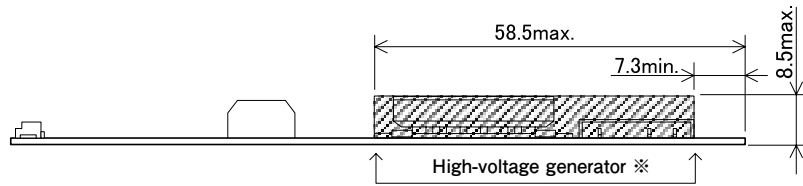
### ■ Conformity to RoHS Directive

This means that, in conformity with EU Directive 2002/95/EC, lead, cadmium, mercury, hexavalent chromium, and specific bromine-based flame retardants, PBB and PBDE, have not been used, except for exempted applications.

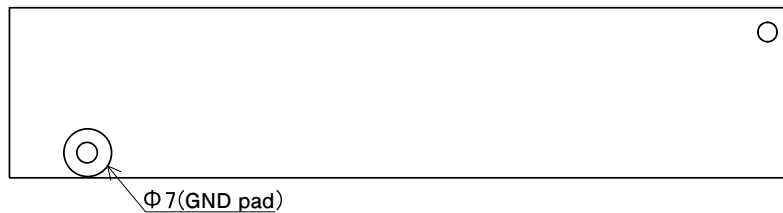
# Outline Drawing



Example of label marking  
Product name, Lot No., Country of origin, TDK-Lambda logotype



※From high-voltage generator, please secure space distance more than 3mm in top and bottom right and left.



unit:mm

## Connector

Connector number	Part number	Model/Material	Quantity	Remarks	Recommended applicable connector
①	Printed circuit board PCB	Composite (CEM-3)	1	UL94V-0 t=1.0	—
②	Input connector CN1	53261-0871	1	Molex Inc.	51021-0800
③	Output connector CN2	SM03(7-D1)B-BHS-1-TB(LF)(SN)	1	JST Mfg. Co., Ltd.	BHR-04VS-1

## Terminal Numbers And Functions

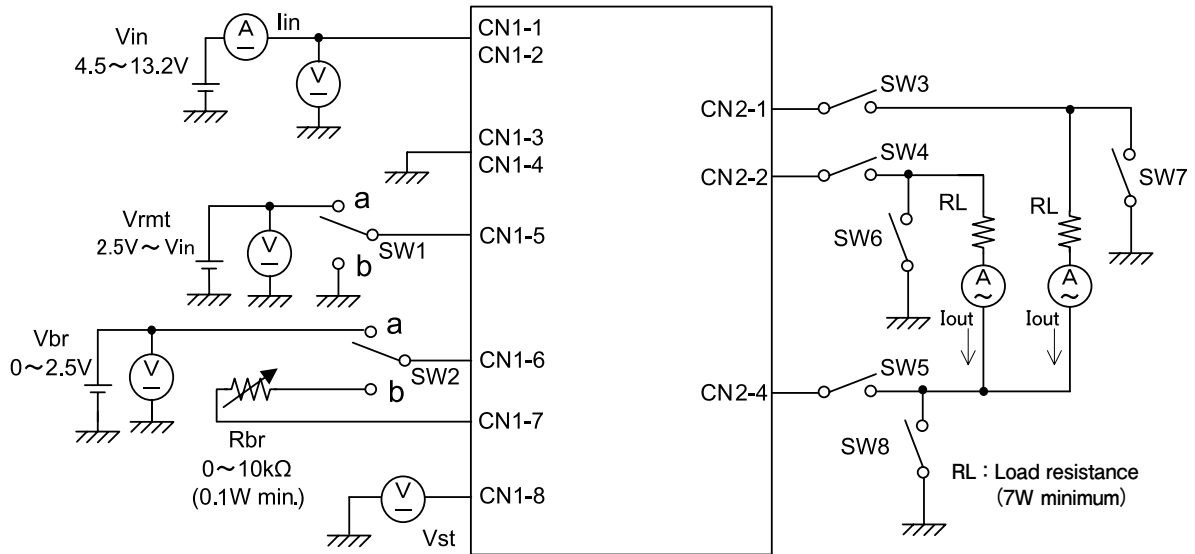
### Input side CN1

Terminal number	Symbol	Rated voltage	Remarks
CN1-1	Vin	4.5 to 13.2V	Power input
CN1-2			
CN1-3	GND	0V	Ground
CN1-4			
CN1-5	Vrmt	0V/2.5V to Vin	Remote terminal 0 to 0.8V : OFF 2.0V to Vin : ON Open : ON
CN1-6	Rbr1/Vbr	0 to 2.5V/0 to 10kΩ	Dimmer terminal 1 (Input voltage/Resistance connection)
CN1-7	Rbr2	0 to 10kΩ	Dimmer terminal 2 (Resistance connection)
CN1-8	Vst(Output)	0V/5V	Alarm output Lump open : 5V

### Output side CN2

Terminal number	Symbol	Rated voltage	Remarks
CN2-1	V <sub>HIGH1</sub>	360Vrms	Output 1
CN2-2	V <sub>HIGH2</sub>	360Vrms	Output 2
CN2-3	N.C.	—	N.C.
CN2-4	V <sub>LOW</sub>	(2V)	Output 1, 2 return

# Connections



Operate as follows by switching SW1.

SW1	Unit operation
a	Operation
b	Does not operate
Open	Operation

Operate as follows by switching SW2.

SW2	Unit operation
a	Voltage dimmer Vbr=0 to 2.5V (2.5V: Maximum brightness)
b	Volume dimmer VR=0 to 10kΩ (10kΩ: Maximum brightness)

Operate by a switch of SW3 to 8 as follows.

SW3 to 5	Alarm output
Open	Operation (5V output)
Close	Does not operate (0V output)

SW6 to 8	Alarm output
Open	Does not operate (0V output)
Close	Operation (5V output)