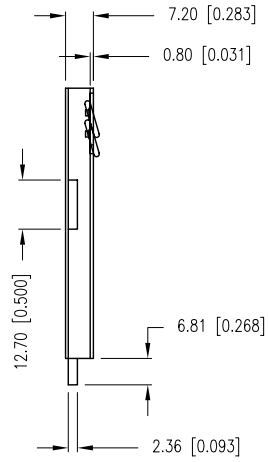
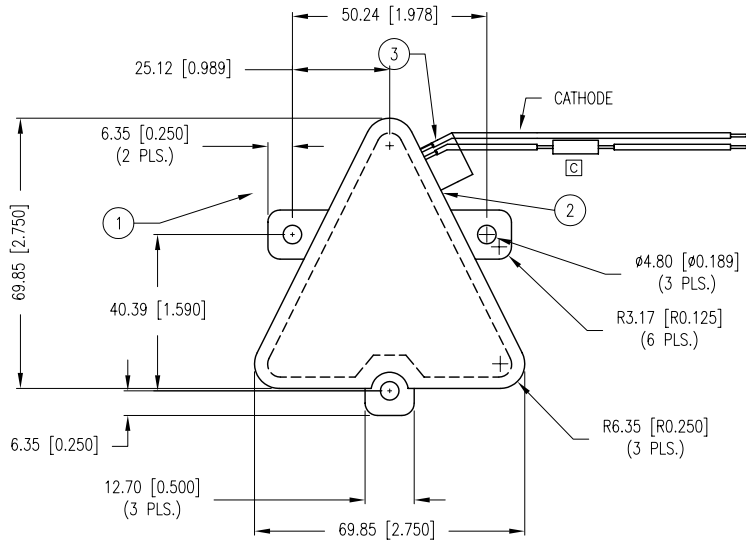


PART NUMBER	SSB-COB6370IW-T-8	REV.	D
DATE	E.C.N. NUMBER AND REVISION COMMENTS		REV.
03.15.02	E.C.N. #10BRDR. & 10842.		A
04.26.07	E.C.N. #11411.		B
08.14.07	E.C.N. #11434.		C
03.02.12	E.C.N. #10BRDR. & REDRAWN.		D



[B] ELECTRO-OPTICAL CHARACTERISTICS Ta=25°C

PARAMETER	MIN	TYP	MAX	UNITS	TEST COND
PEAK WAVELENGTH		635		nm	
FORWARD VOLTAGE		24	28	Vf	
REVERSE VOLTAGE	5.0			Vr	If=200µA
LUMINOUS INTENSITY		200	280	cd/m ²	If=90mA; 130mA
EMITTED COLOR:	RED				
REFLECTOR FINISH:	MILKY WHITE				

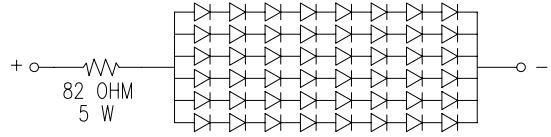
LIMITS OF SAFE OPERATION AT 25°C PER MODULE

PARAMETER	MAX	UNITS
PEAK FORWARD CURRENT*	150	mA
STEADY CURRENT	120	mA
POWER DISSIPATION	3.0	mW
DERATE FROM 25°C	67.4	mW/°C
OPERATING TEMP.	-40 TO +85	°C
STORAGE TEMP.	-40 TO +85	°C
SOLDERING TEMP.	+260	°C
2.0mm FROM BODY	3	SEC.


* t<10µs

- [A] NOTES:**
1. BUNDLE WIRE.
 2. GLUE WIRES TO BACK OF PART.
 3. COLOR MARK.

[B] 6 IN PARALLEL,
[C] 8 IN SERIES,
WITH 82 OHM 5W RESISTOR ON WIRE



*UNLESS OTHERWISE SPECIFIED TOLERANCES PER DECIMAL PRECISION ARE: X=±1 (±0.039), X.X=±0.5 (±0.020), X.XX=±0.25 (±0.010), X.XXX=±0.127 (±0.005). LEAD SIZE=±0.05 (±0.002), LEAD LENGTH=±0.75 (±0.030). MIN= ^{+DECIMAL PRECISION} -0.00 MAX= ^{+0.00} -DECIMAL PRECISION UNCONTROLLED DOCUMENT

 <p>290 E. HELEN ROAD PALATINE, IL 60067-6976 PHONE: +1.847.359.2790 FAX: +1.847.359.6538 WEB: WWW.LUMEX.COM</p>	TRIANGULAR BACKLIGHT DISPLAY, 48 CHIPS ON BOARD, 635nm RED, 24 VOLT.		DATE: 03.02.12	DRAWN BY: AB
	THE SPECIFICATIONS MAY CHANGE AT ANY TIME WITHOUT NOTICE DUE TO NEW MATERIALS OR PRODUCT IMPROVEMENT.		PAGE: 1 OF 1	CHKD BY: SS
	CONFIDENTIAL INFORMATION THE INFORMATION CONTAINED IN THIS DOCUMENT IS THE PROPERTY OF LUMEX INC. EXCEPT AS SPECIFICALLY AUTHORIZED IN WRITING BY LUMEX INC., THE HOLDER OF THIS DOCUMENT SHALL KEEP ALL INFORMATION CONTAINED HEREIN CONFIDENTIAL AND SHALL PROTECT SAME IN WHOLE OR IN PART FROM DISCLOSURE AND DISSEMINATION TO ALL THIRD PARTIES.		SCALE: NTS	APRVD BY: SS
			UNIT: mm [INCH]	