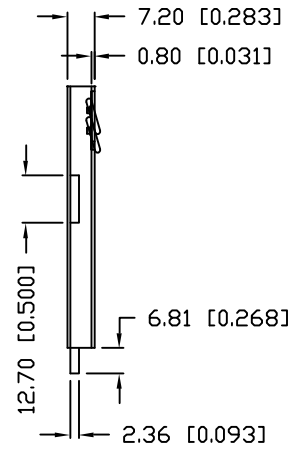
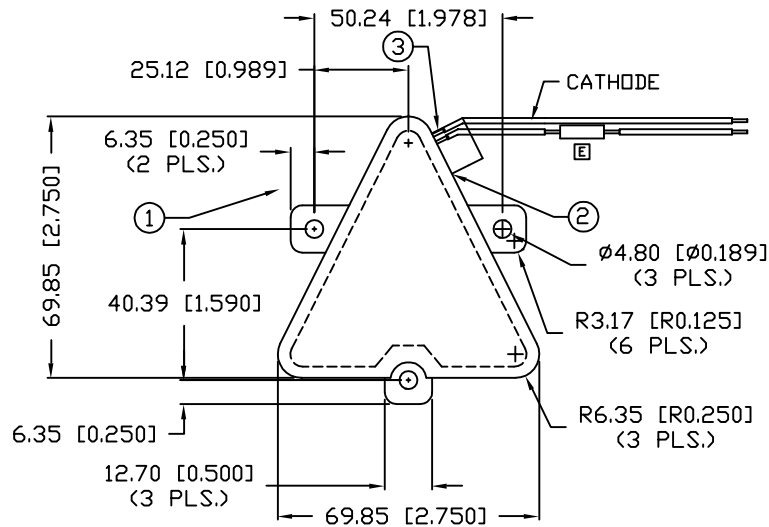


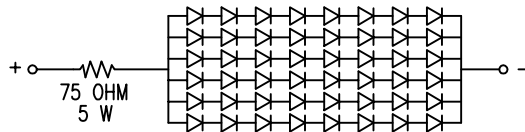
UNCONTROLLED DOCUMENT

PART NUMBER  
SSB-COB6370GW-T-6

REV.  
E



6 IN PARALLEL,  
8 IN SERIES,  
WITH 75 OHM 5W RESISTORS IN PARALLEL



REV.	E.C.N. NUMBER AND REVISION COMMENTS	DATE
A	E.C.N. #10408.	1.12.98
B	E.C.N. #10BRDR. & REDRAWN.	1.27.99
C	E.C.N. #10BRDR. & 10842.	3.15.02
D	E.C.N. #11411.	4.26.07
E	E.C.N. #11434.	8.14.07

ELECTRO-OPTICAL CHARACTERISTICS  $T_A=25^{\circ}\text{C}$  PER MODULE

PARAMETER	MIN	TYP	MAX	UNITS	TEST COND
PEAK WAVELENGTH		565 (GREEN)		nm	
□ FORWARD VOLTAGE		24	28	$V_f$	
REVERSE VOLTAGE	48			$V_r$	$V_r=200\mu\text{A}$
□ LUMINOUS INTENSITY		250	480	$\text{cd}/\text{m}^2$	$I_f=100\text{mA}; 140\text{mA}$
EMITTED COLOR:	GREEN				
REFLECTOR FINISH:	MILKY WHITE				

LIMITS OF SAFE OPERATION AT  $25^{\circ}\text{C}$  PER MODULE

PARAMETER	MAX	UNITS
PEAK FORWARD CURRENT*	150	mA
STEADY CURRENT	120	mA
POWER DISSIPATION	3.6	W
DERATE FROM $25^{\circ}\text{C}$	67.4	$\text{mW}/^{\circ}\text{C}$
OPERATING TEMP.	-40 TO +85	$^{\circ}\text{C}$
STORAGE TEMP.	-40 TO +85	$^{\circ}\text{C}$
SOLDERING TEMP.	+260	$^{\circ}\text{C}$
2.0mm FROM BODY		3 SEC. MAX

\*  $t < 10\mu\text{S}$

□ NOTES:

1. BUNDLE WIRE.
2. GLUE WIRES TO BACK OF PART
2. COLOR MARK.



UNCONTROLLED DOCUMENT

\*UNLESS OTHERWISE SPECIFIED TOLERANCES PER DECIMAL PRECISION ARE: X=±1 (±0.039), X.X=±0.5 (±0.020), X.XX=±0.25 (±0.010), X.XXX=±0.127 (±0.005). LEAD SIZE=±0.05 (±0.002), LEAD LENGTH=±0.75 (±0.030). MIN= +DECIMAL PRECISION MAX= +0.00 -DECIMAL PRECISION

REV. E	PART NUMBER SSB-COB6370GW-T-6
-----------	----------------------------------

**CONFIDENTIAL INFORMATION**  
THE INFORMATION CONTAINED IN THIS DOCUMENT IS THE PROPERTY OF LUMEX INC. EXCEPT AS SPECIFICALLY AUTHORIZED IN WRITING BY LUMEX INC., THE HOLDER OF THIS DOCUMENT SHALL KEEP ALL INFORMATION CONTAINED HEREIN CONFIDENTIAL AND SHALL PROTECT SAME IN WHOLE OR IN PART FROM DISCLOSURE AND DISSEMINATION TO ALL THIRD PARTIES.



290 E. HELEN ROAD  
PALATINE, IL 60067-6976  
PHONE: +1.847.359.2790  
US WEB: www.lumex.com  
TW WEB: www.lumex.com.tw

TRIANGULAR BACKLIGHT DISPLAY, 48 CHIPS ON BOARD,  
565nm GREEN, 24 VOLT.

**RELIABILITY NOTE**  
OUR MANY YEARS OF EXPERIENCE DATA ACCUMULATION INDICATE THAT SOLDER HEAT IS A MAJOR CAUSE OF EARLY AND FUTURE FAILURE. PLEASE PAY ATTENTION TO YOUR SOLDERING PROCESS.

DRAWN BY: JC	CHECKED BY:	APPROVED BY:	DATE: 6.6.97
			PAGE: 1 OF 1
			SCALE: N/A