



# PCA9620

## 60 x 8 LCD high-drive segment driver for automotive and industrial

Rev. 2 — 8 November 2011

Product data sheet

### 1. General description

The PCA9620 is a peripheral device which interfaces to almost any Liquid Crystal Display (LCD)<sup>1</sup> with low multiplex rates. It generates the drive signals for any static or multiplexed LCD containing up to eight backplanes, 60 segments, and up to 480 elements. The PCA9620 is compatible with most microprocessors or microcontrollers and communicates via a two-line bidirectional I<sup>2</sup>C-bus. Communication overheads are minimized using a display RAM with auto-incremented addressing and display memory switching. The PCA9620 features an internal charge pump with internal capacitors for on-chip generation of the LCD driving voltages

### 2. Features and benefits

- AEC Q100 grade 2 compliant for automotive applications
- Low power consumption
- Extended operating temperature range from –40 °C to +105 °C
- 60 segments and 8 backplanes allowing to drive:
  - ◆ up to 60 7-segment alphanumeric characters
  - ◆ up to 30 14-segment alphanumeric characters
  - ◆ any graphics of up to 480 elements
- 480-bit RAM for display data storage
- Selectable backplane drive configuration: static, 2, 4, 6, or 8 backplane multiplexing
- Programmable internal charge pump for on-chip LCD voltage generation up to  $3 \times V_{DD2}$
- 400 kHz I<sup>2</sup>C-bus interface
- Selectable linear temperature compensation of  $V_{LCD}$
- Selectable display bias configuration
- Wide range for digital and analog power supply: from 2.5 V to 5.5 V
- Wide LCD supply range: from 2.5 V for low threshold LCDs and up to 9.0 V for high threshold (automobile) twisted nematic LCDs
- Display memory bank switching in static, duplex, and quadruplex drive modes
- Programmable frame frequency in steps of 10 Hz in the range of 60 Hz to 300 Hz; factory calibrated with a tolerance of  $\pm 15\%$  covering the whole temperature and voltage range
- Selectable inversion scheme for LCD driving waveforms: frame or line inversion
- Integrated temperature sensor with temperature readout
- On chip calibration of internal oscillator frequency and  $V_{LCD}$

1. The definition of the abbreviations and acronyms used in this data sheet can be found in [Section 19 on page 72](#).



### 3. Applications

- Automotive
  - ◆ Instrument cluster
  - ◆ Car radio
  - ◆ Climate control units
- Industrial
  - ◆ Machine control systems
  - ◆ Measuring equipment
- Signage
  - ◆ Information boards
  - ◆ Panels

### 4. Ordering information

Table 1. Ordering information

Type number	Package		
	Name	Description	Version
PCA9620H/Q900/1	LQFP80	plastic low profile quad flat package; 80 leads; body 12 × 12 × 1.4 mm	SOT315-1
PCA9620U/5GA/Q1	bare die	80 bonding pads	PCA9620U

### 5. Marking

Table 2. Marking codes

Type number	Marking code
PCA9620H	PCA9620H/Q900
PCA9620U	PC9620-1

### 6. Block diagram

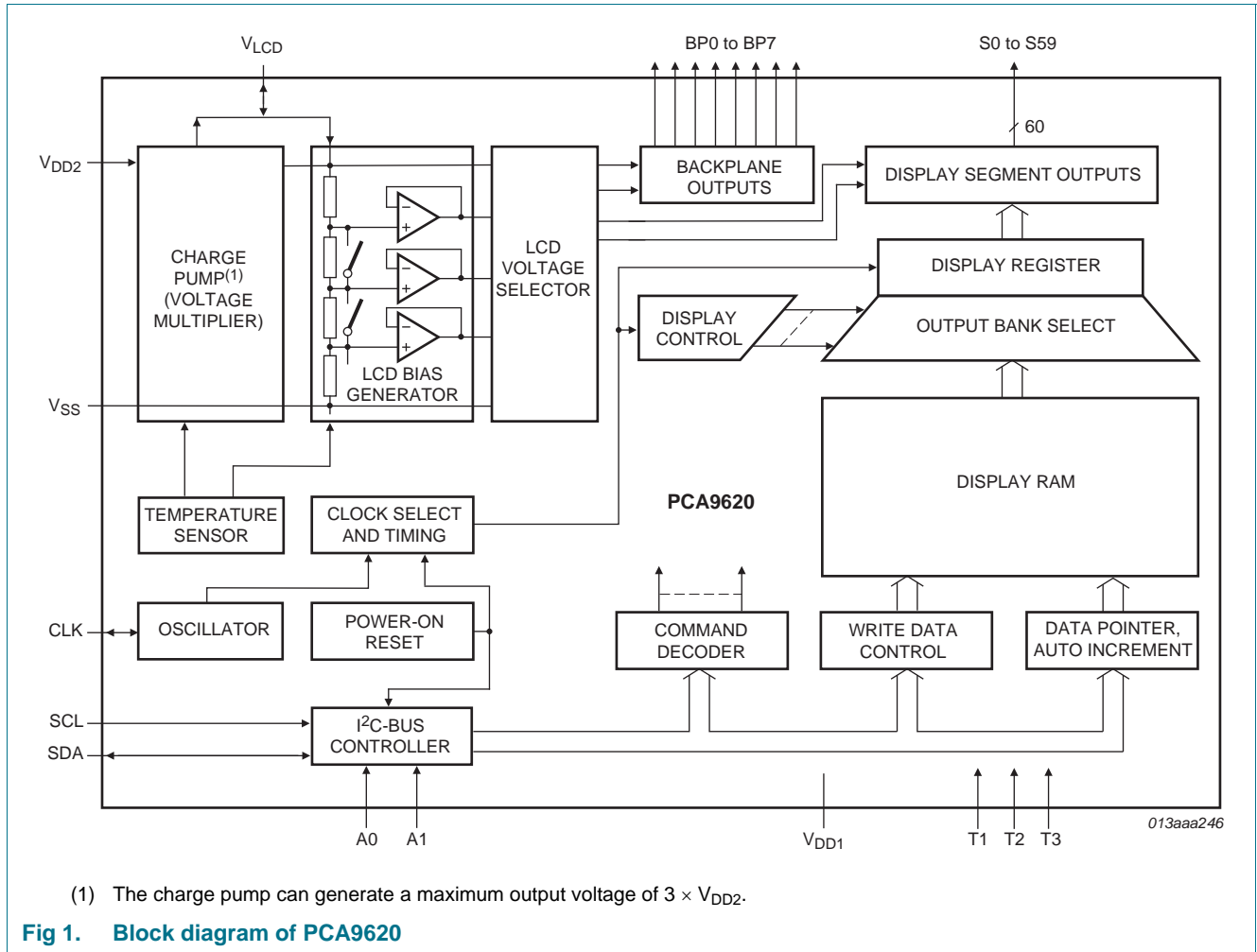
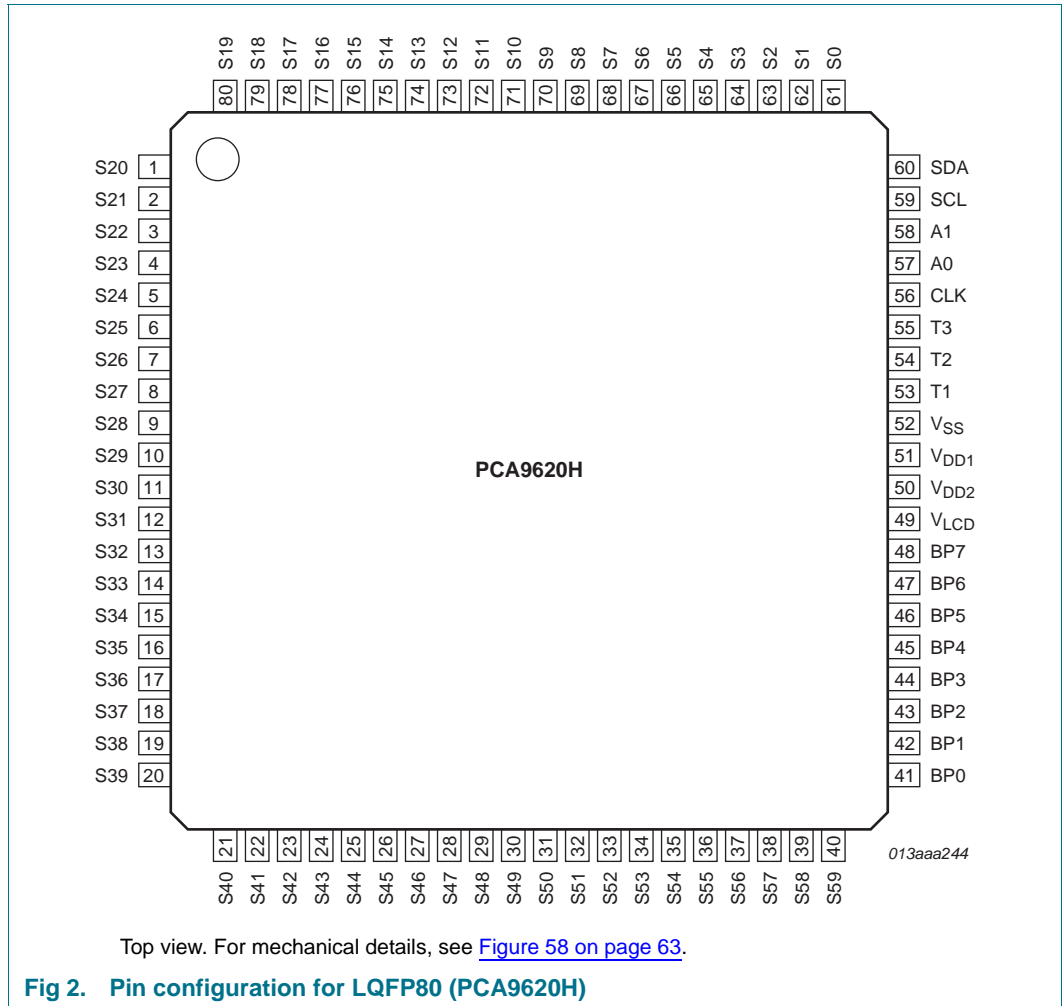
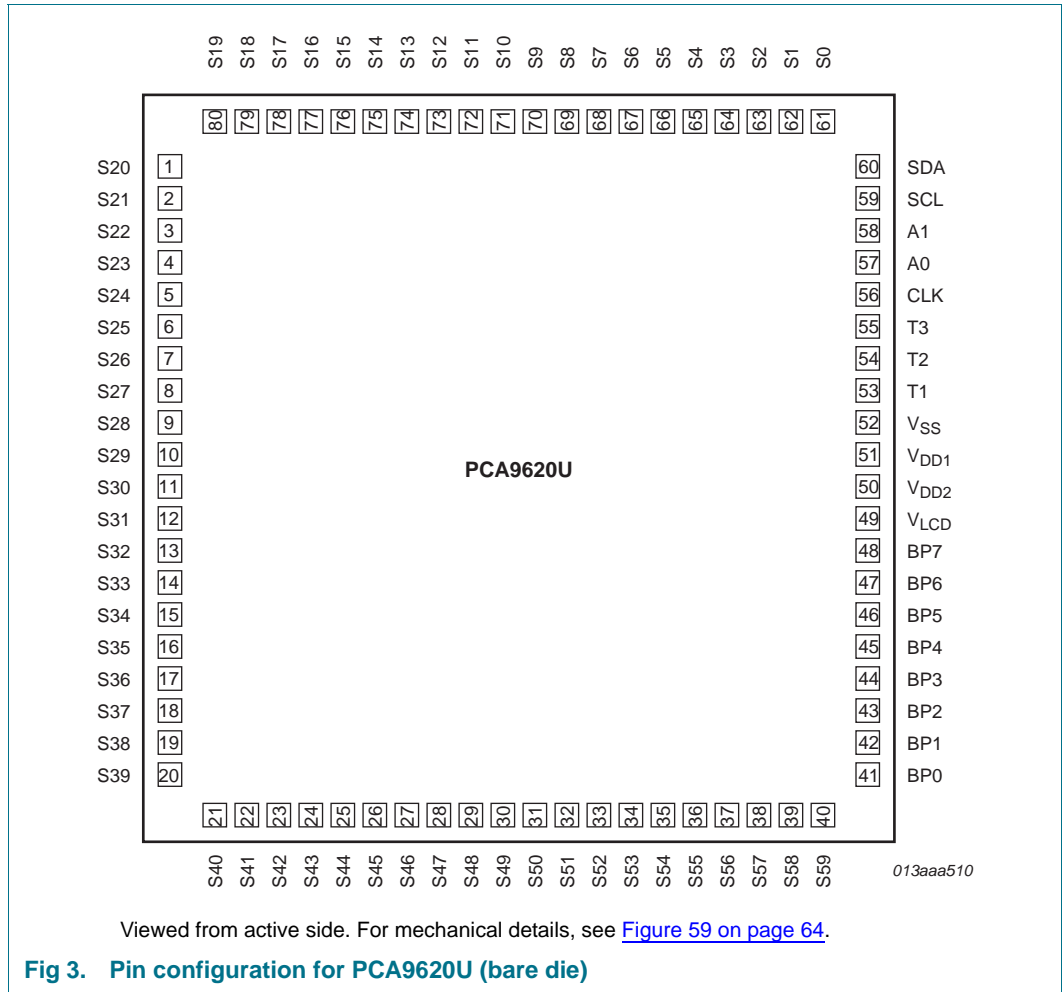


Fig 1. Block diagram of PCA9620

## 7. Pinning information

### 7.1 Pinning





## 7.2 Pin description

**Table 3. Pin description**

Symbol	Pin	Type	Description
S0 to S59	61 to 80 and 1 to 40	output	LCD segment
BP0 to BP7	41 to 48	output	LCD backplane
V <sub>LCD</sub>	49	supply/output <sup>[1]</sup>	LCD supply voltage
V <sub>DD2</sub>	50	supply	supply voltage 2 (charge pump)
V <sub>DD1</sub>	51	supply	supply voltage 1 (analog and digital)
V <sub>SS</sub>	52	supply	ground supply voltage
T1 to T3	53 to 55	input	test pins; must be tied to V <sub>SS</sub> in applications
CLK	56	input/output	internal oscillator output, external oscillator input
A0, A1	57, 58	input	I <sup>2</sup> C-bus slave address selection bit
SCL	59	input	I <sup>2</sup> C-bus serial clock
SDA	60	input/output	I <sup>2</sup> C-bus serial data

- [1] When the internal V<sub>LCD</sub> generation is used, this pin drives the V<sub>LCD</sub> voltage. In this case pin V<sub>LCD</sub> is an output. When the external supply is requested, then pin V<sub>LCD</sub> is an input and V<sub>LCD</sub> can be supplied to it. In this case, the internal charge pump must be disabled (see [Table 8 on page 9](#)).

## 8. Functional description

The PCA9620 is a versatile peripheral device designed to interface any microprocessor or microcontroller to a wide variety of LCDs. It can directly drive any static or multiplexed LCD containing up to 480 elements.

### 8.1 Commands of PCA9620

The PCA9620 is controlled by 22 commands, which are defined in [Table 4](#). Any other combinations of operation code bits that are not mentioned in this document may lead to undesired operation modes of PCA9620.

**Table 4. Commands of PCA9620**

Command name	Bits									Reference
	7	6	5	4	3	2	1	0		
initialize	0	0	1	1	1	0	1	0		<a href="#">Section 8.1.1</a>
OTP-refresh	1	1	0	1	0	0	0	0		<a href="#">Section 8.1.2</a>
oscillator-ctrl	1	1	0	0	1	1	COE	OSC		<a href="#">Section 8.1.3</a>
charge-pump-ctrl	1	1	0	0	0	0	CPE	CPC		<a href="#">Section 8.1.4</a>
temp-msr-ctrl	1	1	0	0	1	0	TCE	TME		<a href="#">Section 8.1.5</a>
temp-comp-SLA	0	0	0	1	1	SLA[2:0]			<a href="#">Table 29</a>	
temp-comp-SLB	0	0	1	0	0	SLB[2:0]				
temp-comp-SLC	0	0	1	0	1	SLC[2:0]				
temp-comp-SLD	0	0	1	1	0	SLD[2:0]				
set-VPR-MSB	0	1	0	0	VPR[7:4]				<a href="#">Section 8.1.6</a>	
set-VPR-LSB	0	1	0	1	VPR[3:0]					
display-enable	0	0	1	1	1	0	0	E		<a href="#">Section 8.1.7</a>
set-MUX-mode	0	0	0	0	0	M[2:0]			<a href="#">Section 8.1.8</a>	
set-bias-mode	1	1	0	0	0	1	B[1:0]		<a href="#">Section 8.1.9</a>	
load-data-pointer	1	0	P[5:0]							<a href="#">Section 8.1.10</a>
frame-frequency	0	1	1	F[4:0]						<a href="#">Section 8.1.11</a>
input-bank-select	0	0	0	0	1	IB[2:0]			<a href="#">Section 8.1.12.1</a>	
output-bank-select	0	0	0	1	0	OB[2:0]				
write-RAM-data	B[7:0]								<a href="#">Section 8.1.13</a>	
temp-read	TD[7:0]								<a href="#">Section 8.1.14</a> , <a href="#">Section 8.4.7</a>	
invmode_CPF_ctrl	1	1	0	1	0	1	LF	CPF	<a href="#">Section 8.1.15</a>	
temp-filter	1	1	0	1	0	0	1	TFE	<a href="#">Section 8.1.16</a>	

#### 8.1.1 Command: initialize

This command generates a chip-wide reset which resets all command values to their default values (see [Table 25 on page 17](#)). It must be sent to the PCA9620 after power-on. After this command is sent, it is possible to send additional commands without the need to re-initialize the interface. Reset takes 100 ns to complete.

For further information, see [Section 8.3 on page 16](#).

**Table 5. Initialize - initialize command bit description**

Bit	Symbol	Value	Description
7 to 0	-	00111010	fixed value

### 8.1.2 Command: OTP-refresh

In order to achieve the specified accuracy of  $V_{LCD}$ , the frame frequency, and the temperature measurement, each IC is calibrated during production and testing of the device. This calibration is performed on EPROM cells called One Time Programmable (OTP) cells. These cells are read by the device at power-on, after a reset, and every time when the initialize command or the OTP-refresh command is sent. This command will take approximately 10 ms to finish.

**Table 6. OTP-refresh - OTP-refresh command bit description**

Bit	Symbol	Value	Description
7 to 0	-	11010000	fixed value

### 8.1.3 Command: oscillator-ctrl

The oscillator-ctrl command switches between internal and external oscillator and enables or disables pin CLK.

**Table 7. Oscillator-ctrl - oscillator control command bit description**

For further information, see [Section 8.5 on page 40](#).

Bit	Symbol	Value	Description
7 to 2	-	110011	fixed value
1	COE	0 <sup>[1]</sup>	control pin CLK clock signal not available on pin CLK; pin CLK is in 3-state and may be left floating
		1	clock signal available on pin CLK
0	OSC	0 <sup>[1]</sup>	oscillator source internal oscillator running
		1	external oscillator used; pin CLK becomes an input

[1] Default value.



### 8.1.4 Command: charge-pump-ctrl

The charge-pump-ctrl command enables or disables the internal  $V_{LCD}$  generation and controls the charge pump voltage multiplier setting.

**Table 8. Charge-pump-ctrl - charge pump control command bit description**

Bit	Symbol	Value	Description
7 to 2	-	110000	fixed value
1	CPE		charge pump switch
		0 <sup>[1]</sup>	charge pump disabled; no internal $V_{LCD}$ generation; external supply of $V_{LCD}$
		1	charge pump enabled
0	CPC		charge pump voltage multiplier setting
		0 <sup>[1]</sup>	$V_{LCD} = 2 \times V_{DD2}$
		1	$V_{LCD} = 3 \times V_{DD2}$

[1] Default value.

### 8.1.5 Command: temp-msr-ctrl

The temp-msr-ctrl command enables or disables the temperature measurement block and the temperature compensation of  $V_{LCD}$ .

**Table 9. Temp-msr-ctrl - temperature measurement control command bit description**

For further information, see [Section 8.4.8 on page 38](#).

Bit	Symbol	Value	Description
7 to 2	-	110010	fixed value
1	TCE		temperature compensation switch
		0	no temperature compensation of $V_{LCD}$ possible
		1 <sup>[1]</sup>	temperature compensation of $V_{LCD}$ possible
0	TME		temperature measurement switch
		0	temperature measurement disabled; no temperature readout possible
		1 <sup>[1]</sup>	temperature measurement enabled; temperature readout possible

[1] Default value.

### 8.1.6 Command: set-VPR-MSB and set-VPR-LSB

With these two instructions, it is possible to set the target  $V_{LCD}$  voltage for the internal charge pump, see [Section 8.4.3 on page 33](#).

**Table 10. Set-VPR-MSB - set VPR MSB command bit description**

Bit	Symbol	Value	Description
7 to 4	-	0100	fixed value
3 to 0	VPR[7:4]	0000 <sup>[1]</sup> to 1111	the four most significant bits of VPR[7:0]

[1] Default value.

Table 11. Set-VPR-LSB - set VPR LSB command bit description

Bit	Symbol	Value	Description
7 to 4	-	0101	fixed value
3 to 0	VPR[3:0]	0000 <sup>[1]</sup> to 1111	the four least significant bits of VPR[7:0]

[1] Default value.

### 8.1.7 Command: display-enable

Table 12. Display-enable - display enable command bit description

Bit	Symbol	Value	Description
7 to 1	-	0011100	fixed value
0	E	0 <sup>[1]</sup>	display disabled; backplane and segment outputs are internally connected to V <sub>SS</sub>
		1	display enabled

[1] Default value.

### 8.1.8 Command: set-MUX-mode

Table 13. Set-MUX-mode - set multiplex drive mode command bit description

Bit	Symbol	Value	Description
7 to 3	-	00000	fixed value
2 to 0	M[2:0]	000 <sup>[1]</sup> , 011, 110, 111	1:8 multiplex drive mode: 8 backplanes
		001	static drive mode: 1 backplane
		010	1:2 multiplex drive mode: 2 backplanes
		100	1:4 multiplex drive mode: 4 backplanes
		101	1:6 multiplex drive mode: 6 backplanes

[1] Default value.

### 8.1.9 Command: set-bias-mode

Table 14. Set-bias-mode - set bias mode command bit description

Bit	Symbol	Value	Description
7 to 2	-	110001	fixed value
1 to 0	B[1:0]	00 <sup>[1]</sup> , 01	1/4 bias
		11	1/3 bias
		10	1/2 bias

[1] Default value.

### 8.1.10 Command: load-data-pointer

The load-data-pointer command defines one of the 60 display RAM addresses where the following display data will be sent to. For further information, see [Section 8.9.1 on page 43](#).

**Table 15. Load-data-pointer - load data pointer command bit description**

Bit	Symbol	Value	Description
7 to 6	-	10	fixed value
5 to 0	P[5:0]	000000 to 111111	6-bit binary value of 0 to 59

### 8.1.11 Command: frame-frequency

With the frame-frequency command, the frame frequency and the output clock frequency can be configured.

**Table 16. Frame frequency - frame frequency and output clock frequency command bit description**

Bit	Symbol	Value	Description
7 to 5	-	011	fixed value
4 to 0	F[4:0]	see <a href="#">Table 17</a>	nominal frame frequency (Hz)

**Table 17. Frame frequency values**

F[4:0]	Nominal frame frequency, $f_{fr}$ (Hz) <sup>[1]</sup>	Resultant oscillator frequency, $f_{osc}$ (Hz)	Duty cycle (%) <sup>[2]</sup>
00000	60	2880	20 : 80
00001	70	3360	7 : 93
00010	80	3840	47 : 53
00011	91	4368	40 : 60
00100	100	4800	33 : 67
00101	109	5232	27 : 73
00110	120	5760	20 : 80
00111	129.7	6226	13 : 87
01000	141.2	6778	5 : 95
01001	150	7200	50 : 50
01010	160	7680	47 : 53
01011	171.4	8227	43 : 57
01100	177.8	8534	41 : 59
01101	192	9216	36 : 64
01110 <sup>[3]</sup>	200	9600	33 : 67
01111	208.7	10018	30 : 70
10000	218.2	10474	27 : 73
10001	228.6	10973	23 : 77
10010	240	11520	20 : 80
10011	252.6	12125	16 : 84
10100, 10101	266.7	12802	10 : 90
10110, 10111	282.4	13555	5 : 95
11000 to 11111	300	14400	50 : 50

[1] Nominal frame frequency calculated for the default clock frequency of 9600 Hz.

[2] Duty cycle definition: % HIGH-level time : % LOW-level time.

[3] Default value.

### 8.1.12 Bank select commands

For multiplex drive modes 1:4, 1:2 and static drive mode, it is possible to write data to one area of the RAM while displaying from another. These areas are named as RAM banks. Input and output banks can be set independently from one another with the input-bank-select and the output-bank-select command. For further information, see [Section 8.9.2 on page 48](#).

#### 8.1.12.1 Command: input-bank-select

**Table 18. Input-bank-select - input bank select command bit description<sup>[1]</sup>**

Bit	Symbol	Value	Description
7 to 3	-	00001	fixed value
2 to 0	IB[2:0]	selects RAM bank to write to	
		<b>static drive mode</b>	<b>1:2 drive mode</b>
		000 <sup>[2]</sup>	bank 0: RAM-row 0
		001	bank 1: RAM-row 1
		010	bank 2: RAM-row 2
		011	bank 3: RAM-row 3
		100	bank 4: RAM-row 4
		101	bank 5: RAM-row 5
		110	bank 6: RAM-row 6
		111	bank 7: RAM-row 7

[1] Not applicable for multiplex drive mode 1:6 and 1:8.

[2] Default value.

#### 8.1.12.2 Command: output-bank-select

**Table 19. Output-bank-select - output bank select command bit description<sup>[1]</sup>**

Bit	Symbol	Value	Description
7 to 3	-	00010	fixed value
2 to 0	OB[2:0]	selects RAM bank to read from to the LCD	
		<b>static drive mode</b>	<b>1:2 drive mode</b>
		000 <sup>[2]</sup>	bank 0: RAM-row 0
		001	bank 1: RAM-row 1
		010	bank 2: RAM-row 2
		011	bank 3: RAM-row 3
		100	bank 4: RAM-row 4
		101	bank 5: RAM-row 5
		110	bank 6: RAM-row 6
		111	bank 7: RAM-row 7

[1] Not applicable for multiplex drive mode 1:6 and 1:8.

[2] Default value.

### 8.1.13 Command: write-RAM-data

The write-RAM-data command writes data byte-wise to the RAM. After Power-On Reset (POR) the RAM content is random and should be brought to a defined status by clearing it (setting it logic 0).

**Table 20. Write-RAM-data - write RAM data command bit description<sup>[1]</sup>**

Bit	Symbol	Value	Description
7 to 0	B[7:0]	00000000 to 11111111	writing data byte-wise to RAM

[1] For this command bit RS of the control byte has to be set logic 1 (see [Table 33 on page 54](#)).

More information about the display RAM can be found in [Section 8.9 on page 42](#).

### 8.1.14 Command: temp-read

The temp-read command allows reading out the temperature values measured by the internal temperature sensor.

**Table 21. Temp-read - temperature readout command bit description<sup>[1]</sup>**

For further information, see [Table 9 on page 9](#) and [Section 8.4.7 on page 37](#).

Bit	Symbol	Value	Description
7 to 0	TD[7:0]	00000000 to 11111111	readout representing the digital temperature

[1] For this command bit R/W of the I<sup>2</sup>C-bus slave address byte has to be set logic 1 (see [Table 32 on page 53](#)).

### 8.1.15 Command: invmode\_CPF\_ctrl

The invmode\_CPF\_ctrl command allows changing the drive scheme inversion mode and the charge pump frequency.

The waveforms used to drive LCD displays inherently produce a DC voltage across the display cell. The PCA9620 compensates for the DC voltage by inverting the waveforms on alternate frames or alternate lines. The choice of compensation method is determined with the LF bit.

**Table 22. Invmode\_CPF\_ctrl - inversion mode and charge pump frequency prescaler command bit description**

Bit	Symbol	Value	Description
7 to 2	-	110101	fixed value
1	LF		set inversion mode
		0 <sup>[1]</sup>	line inversion mode
		1	frame inversion mode
0	CPF		set charge pump oscillator frequency
		0 <sup>[1]</sup>	f <sub>osc(cp)</sub> ~ 1 MHz
		1	f <sub>osc(cp)</sub> ~ 500 kHz

[1] Default value.

In frame inversion mode, the DC value is compensated across two frames and not within one frame. Changing the inversion mode to frame inversion reduces the power consumption, therefore it is useful when power consumption is a key point in the application.

Frame inversion may not be suitable for all applications. The RMS voltage across a segment is better defined, however since the switching frequency is reduced there is possibility for flicker to occur.

The waveforms of [Figure 16 on page 25](#) to [Figure 22 on page 31](#) are showing line inversion mode. [Figure 23 on page 32](#) shows one example of frame inversion.

### 8.1.16 Command: temp-filter

**Table 23. Temp-filter - digital temperature filter command bit description**

Bit	Symbol	Value	Description
7 to 1	-	1101001	fixed value
0	TFE	0 <sup>[1]</sup>	digital temperature filter switch digital temperature filter disabled; the unfiltered digital value of TD[7:0] is immediately available for the readout and V <sub>LCD</sub> compensation, see <a href="#">Section 8.4.7 on page 37</a>
		1	digital temperature filter enabled

[1] Default value.

## 8.2 Possible display configurations

The PCA9620 is a versatile peripheral device designed to interface between any microcontroller to a wide variety of LCD segment or dot matrix displays (see [Figure 4](#)). It can directly drive any static or multiplexed LCD containing up to eight backplanes and up to 60 segments.

The display configurations possible with the PCA9620 depend on the number of active backplane outputs required. A selection of possible display configurations is given in [Table 24](#).

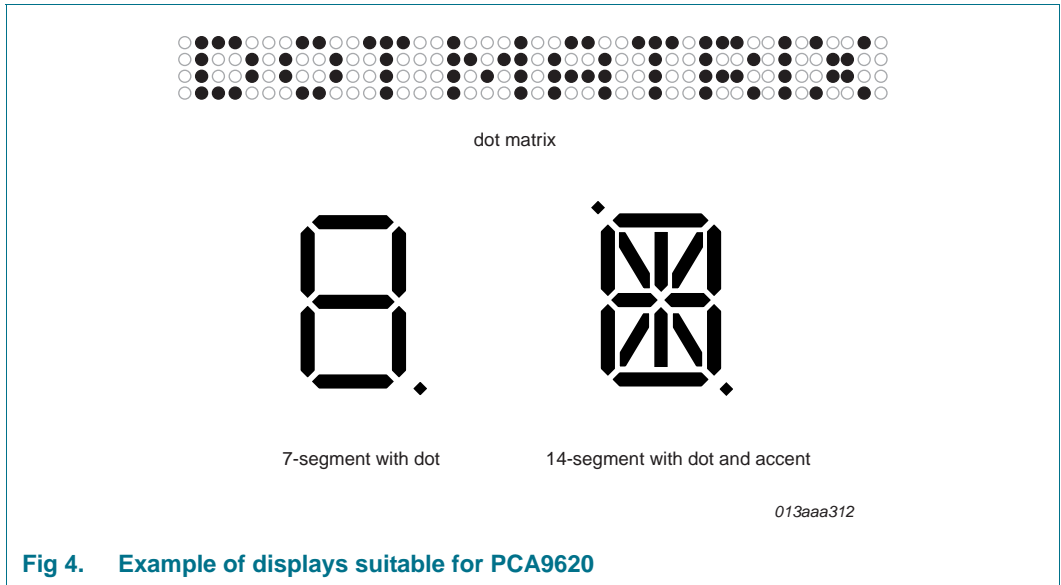


Fig 4. Example of displays suitable for PCA9620

Table 24. Selection of possible display configurations

Number of Backplanes	Icons	Digits/Characters		Dot matrix/ Elements
		7-segment	14-segment	
8	480	60	30	480 dots (8 × 60)
6	320	45	22	360 dots (6 × 60)
4	240	30	15	240 dots (4 × 60)
2	120	15	7	120 dots (2 × 60)
1	60	7	3	60 dots (1 × 60)

All of the display configurations in Table 24 can be implemented in the typical systems shown in Figure 5 (internal V<sub>LCD</sub>) and in Figure 6 (external V<sub>LCD</sub>).

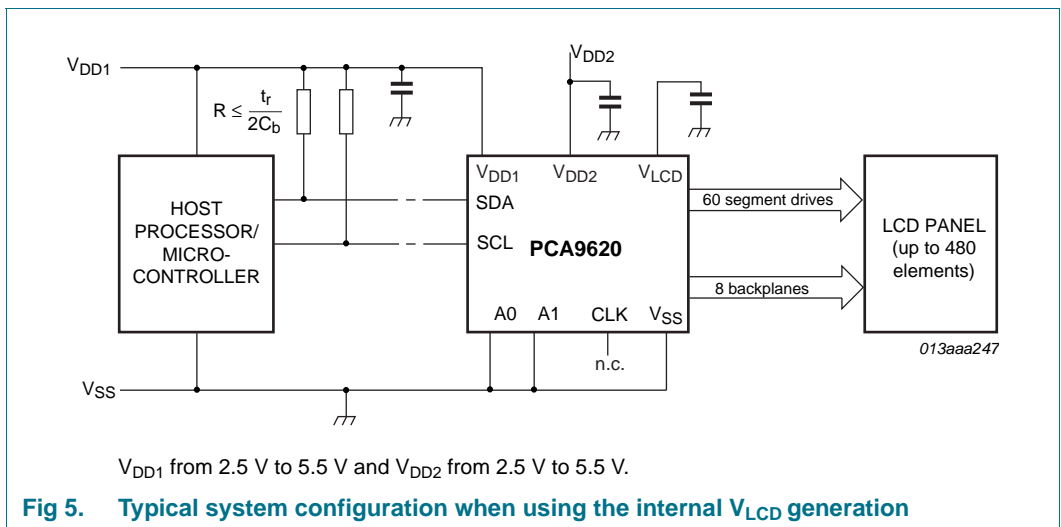
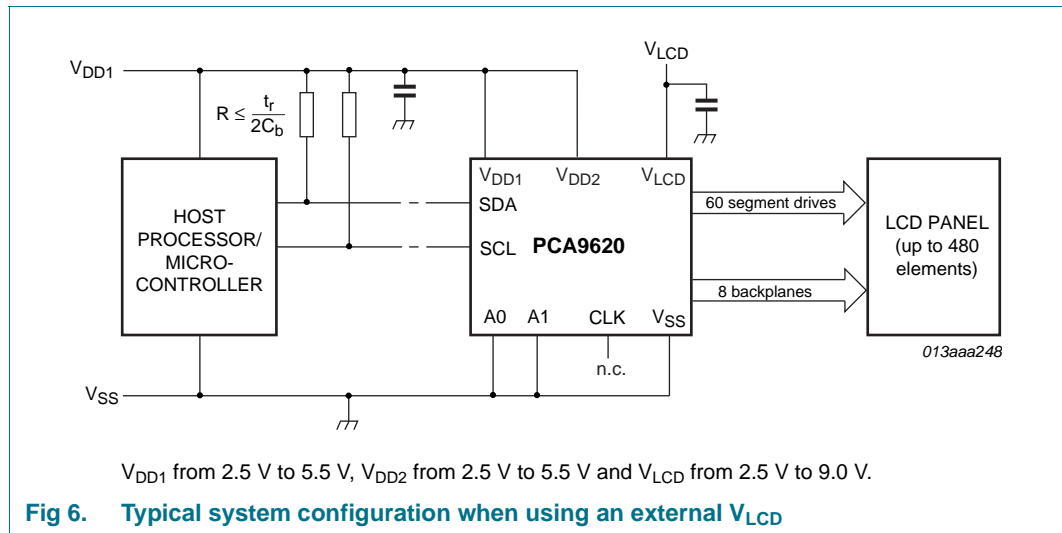


Fig 5. Typical system configuration when using the internal V<sub>LCD</sub> generation



The host microcontroller maintains the two line I<sup>2</sup>C-bus communication channel with the PCA9620. The appropriate biasing voltages for the multiplexed LCD waveforms are generated internally. The only other connections required to complete the system are the power supplies ( $V_{DD1}$ ,  $V_{DD2}$ ,  $V_{SS}$ ,  $V_{LCD}$ ), the external capacitors, and the LCD panel selected for the application.

The minimum recommended values for external capacitors on  $V_{DD1}$ ,  $V_{DD2}$ , and  $V_{LCD}$  are nominal 100 nF. When using bigger capacitors, especially on the  $V_{LCD}$ , the generated ripple will be consequently smaller. However it will take longer for the internal charge pump to reach the target  $V_{LCD}$  voltage first.

If  $V_{DD1}$  and  $V_{DD2}$  are connected externally, the capacitors on  $V_{DD1}$  and  $V_{DD2}$  can be replaced by a single capacitor with a minimum value of 200 nF.

**Remark:** In the case of insufficient decoupling, ripple of  $V_{DD1}$  and  $V_{DD2}$  will create additional  $V_{LCD}$  ripple. The ripple on  $V_{LCD}$  can be reduced by making the  $V_{SS}$  connection as low-ohmic as possible. Excessive ripple on  $V_{LCD}$  may cause flicker on the display.

### 8.3 Start-up and shut-down

#### 8.3.1 Power-On Reset (POR)

At power-on, the PCA9620 resets to starting conditions as follows:

1. All backplane outputs are set to  $V_{SS}$ .
2. All segment outputs are set to  $V_{SS}$ .
3. Selected drive mode is: 1:8 with  $\frac{1}{4}$  bias.
4. Input and output bank selectors are reset.
5. The I<sup>2</sup>C-bus interface is initialized.
6. The data pointer is cleared (set logic 0).
7. The Internal oscillator is running; no clock signal is available on pin CLK; pin CLK is in 3-state.
8. Temperature measurement is enabled.



- 9. Temperature filter is disabled.
- 10. The internal  $V_{LCD}$  voltage generation is disabled. The charge pump is switched off.
- 11. The  $V_{LCD}$  temperature compensation is enabled.
- 12. The display is disabled.

**Remark:** Do not transfer data on the I<sup>2</sup>C-bus for at least 1 ms after a power-on to allow the reset action to complete.

The first command sent to the device after the power-on event must be the initialize command (see [Section 8.1.1 on page 7](#)).

After Power-On Reset (POR) and before enabling the display, the RAM content should be brought to a defined status

- by clearing it (setting it all logic 0) or
- by writing meaningful content (for example, a graphic)

otherwise unwanted display artifacts may appear on the display.

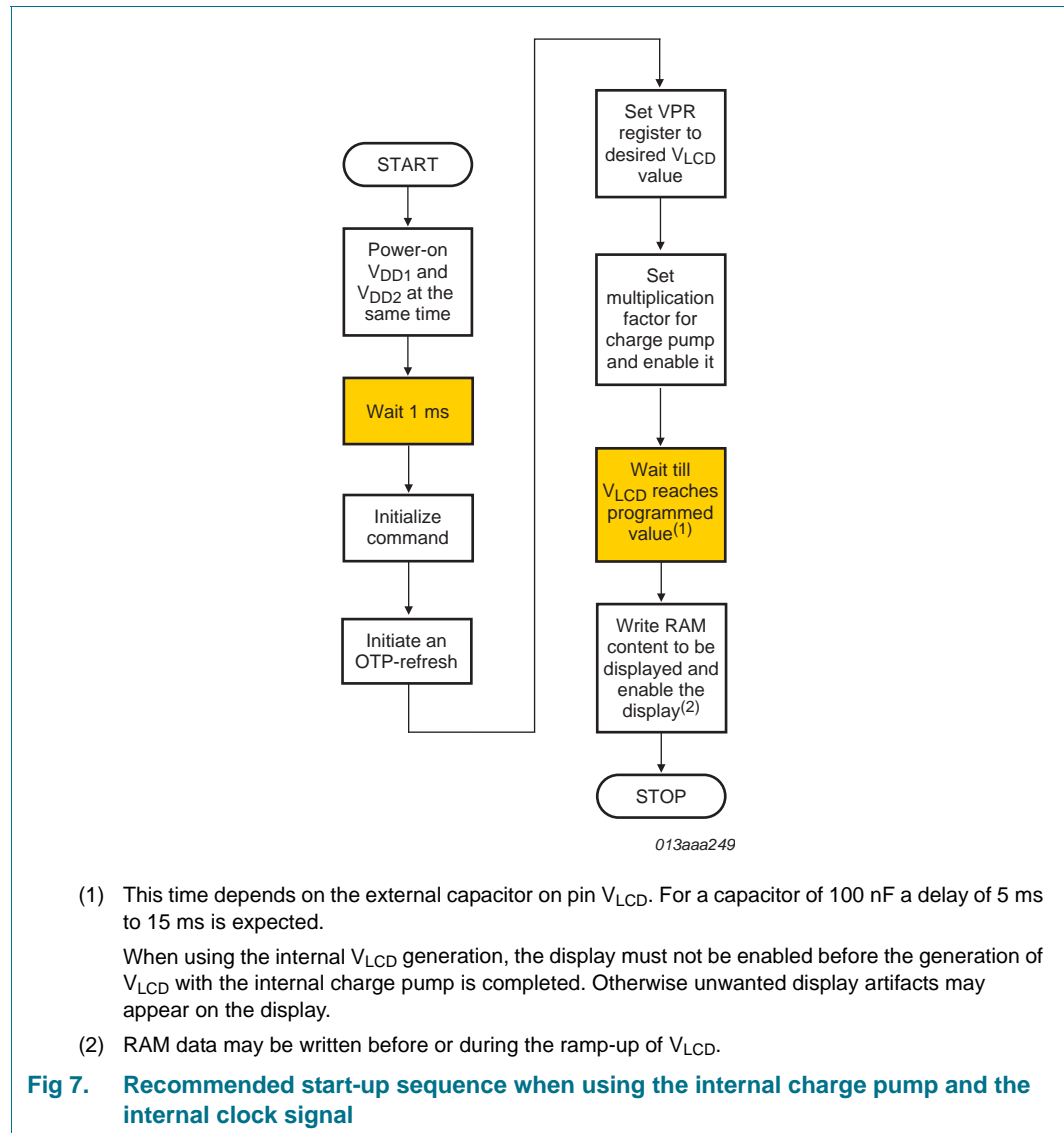
**Table 25. Reset states**

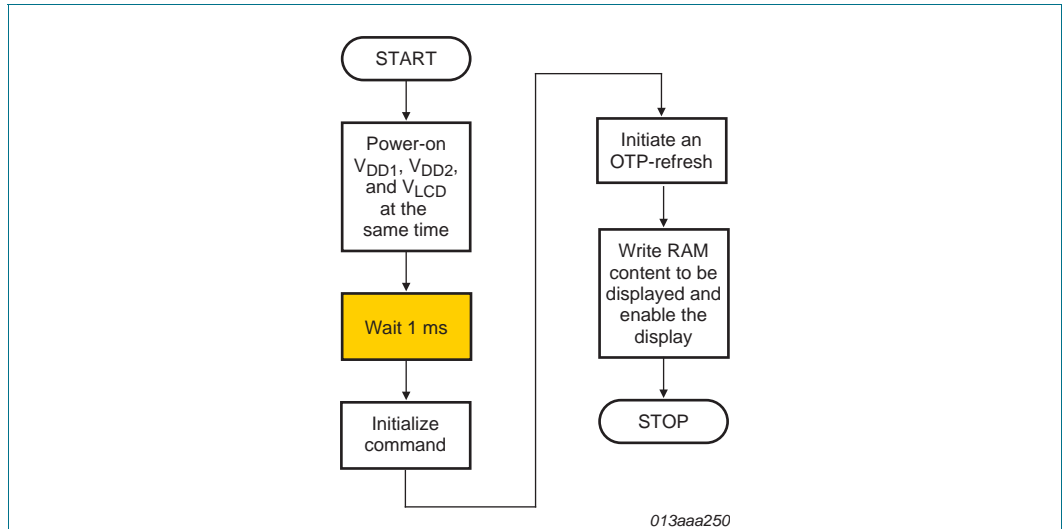
*Bits labeled - are undefined at power-on.*

Command name	Bits							
	7	6	5	4	3	2	1	0
initialize	0	0	1	1	1	0	1	0
OTP-refresh	1	1	0	1	0	0	0	0
oscillator-ctrl	1	1	0	0	1	1	0	0
charge-pump-ctrl	1	1	0	0	0	0	0	0
temp-msr-ctrl	1	1	0	0	1	0	1	1
temp-comp-SLA	0	0	0	1	1	0	0	0
temp-comp-SLB	0	0	1	0	0	0	0	0
temp-comp-SLC	0	0	1	0	1	0	0	0
temp-comp-SLD	0	0	1	1	0	0	0	0
set-VPR-MSB	0	1	0	0	0	0	0	0
set-VPR-LSB	0	1	0	1	0	0	0	0
display-enable	0	0	1	1	1	0	0	0
set-MUX-mode	0	0	0	0	0	0	0	0
set-bias-mode	1	1	0	0	0	1	0	0
load-data-pointer	1	0	0	0	0	0	0	0
frame-frequency	0	1	1	0	1	1	1	0
input-bank-select	0	0	0	0	1	0	0	0
output-bank-select	0	0	0	1	0	0	0	0
write-RAM-data	-	-	-	-	-	-	-	-
temp-read	0	1	0	0	0	0	0	0
invmode_CPF_ctrl	1	1	0	1	0	1	0	0
temp-filter	1	1	0	1	0	0	1	0

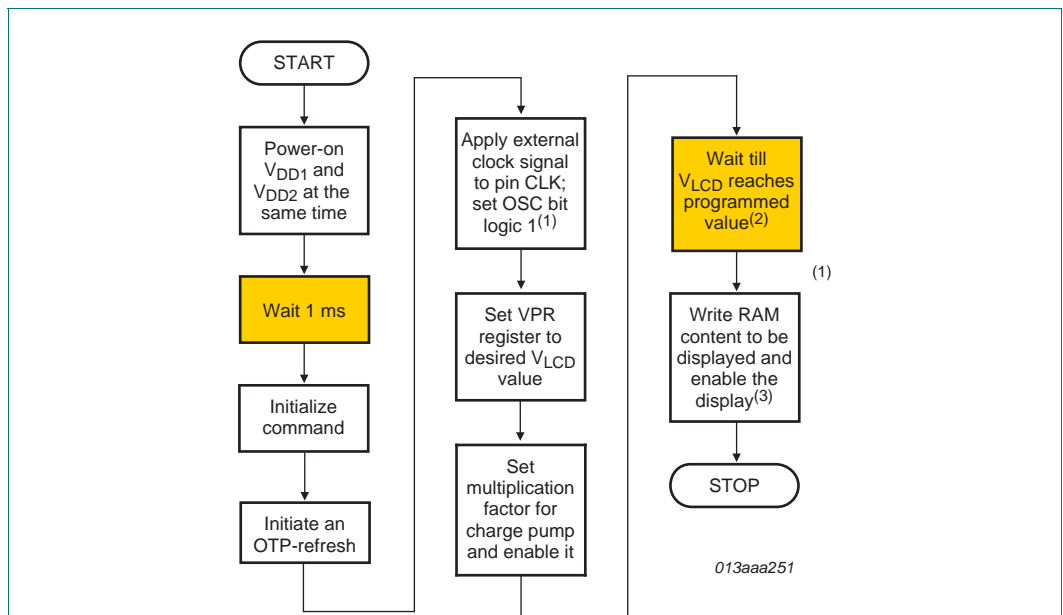
### 8.3.2 Recommended start-up sequences

This chapter describes how to proceed with the initialization of the chip in different application modes.





**Fig 8. Recommended start-up sequence when using an external supplied  $V_{LCD}$  and the internal clock signal**



- (1) The external clock signal can be applied after the generation of the  $V_{LCD}$  voltage as well.
- (2) This time depends on the external capacitor on pin  $V_{LCD}$ . For a capacitor of 100 nF a delay of 5 ms to 15 ms is expected.
- (3) RAM data may be written before or during the ramp-up of  $V_{LCD}$ .

**Fig 9. Recommended start-up sequence when using the internal charge pump and an external clock signal**

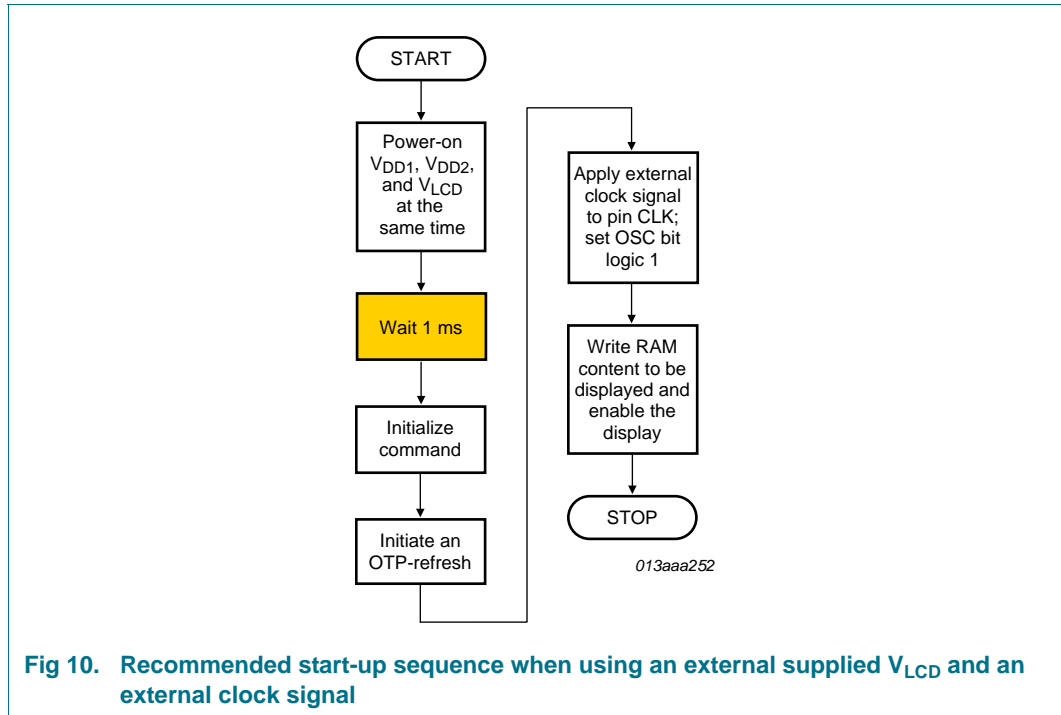


Fig 10. Recommended start-up sequence when using an external supplied  $V_{LCD}$  and an external clock signal

### 8.3.3 Recommended power-down sequences

With the following sequences, the PCA9620 can be set to a state of minimum power consumption, called power-down mode.

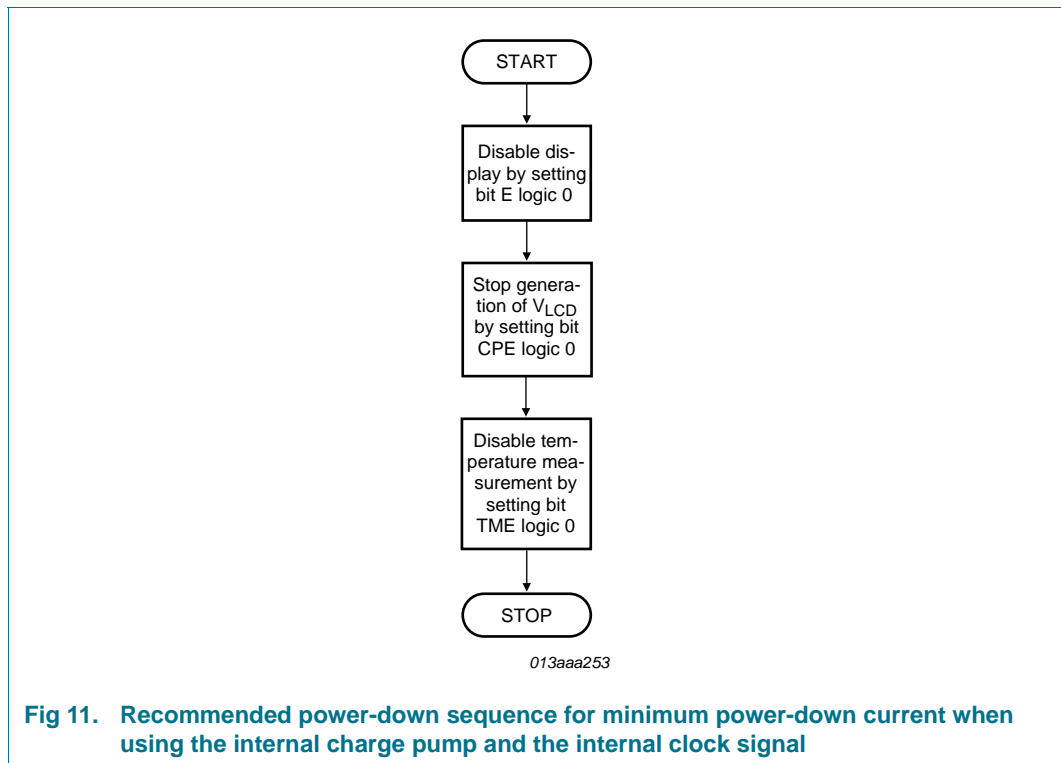
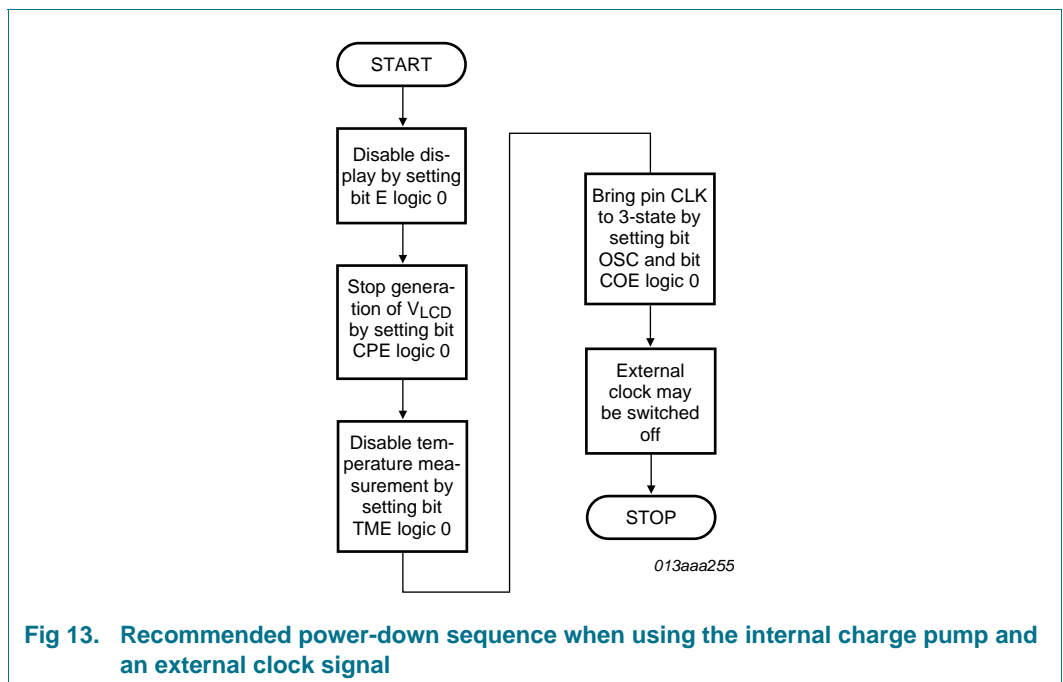
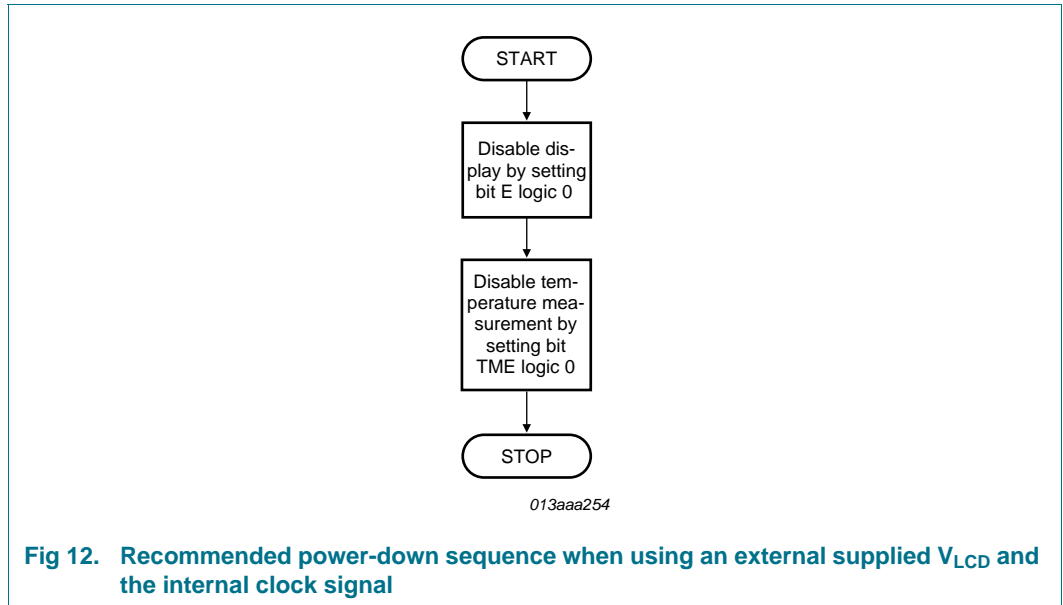
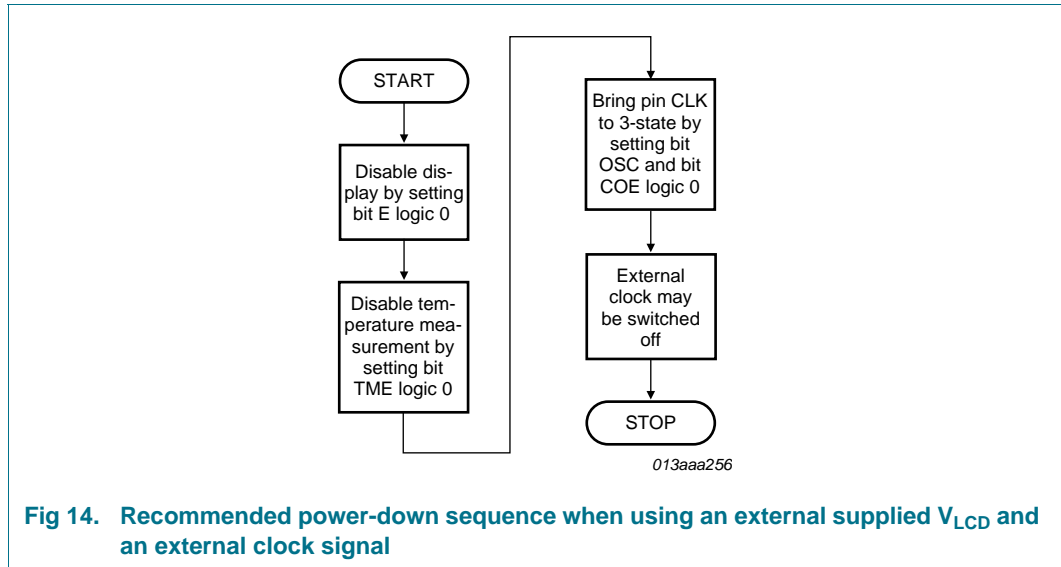


Fig 11. Recommended power-down sequence for minimum power-down current when using the internal charge pump and the internal clock signal





**Fig 14. Recommended power-down sequence when using an external supplied  $V_{LCD}$  and an external clock signal**

**Remark:** It is necessary to run the power-down sequence before removing the supplies. Depending on the application, care must be taken that no other signals are present at the chip input or output pins when removing the supplies (refer to [Section 10 on page 55](#)). Otherwise it may cause unwanted display artifacts. The PCA9620 will not be damaged by uncontrolled removal of supply voltages

**Remark:** Static voltages across the liquid crystal display can build up when the external LCD supply voltage ( $V_{LCD}$ ) is on while the IC supply voltage ( $V_{DD1}$  or  $V_{DD2}$ ) is off, or vice versa. It may cause unwanted display artifacts. To avoid such artifacts, external  $V_{LCD}$ ,  $V_{DD1}$ , and  $V_{DD2}$  must be applied or removed together.

**Remark:** A clock signal must always be supplied to the device when the device is active; removing the clock may freeze the LCD in a DC state, which is not suitable for the liquid crystal. It is recommended to first disable the display and afterwards to remove the clock signal.

## 8.4 LCD voltage

### 8.4.1 LCD voltage selector

The LCD voltage selector co-ordinates the multiplexing of the LCD in accordance with the selected LCD drive configuration. The operation of the voltage selector is controlled by the set-bias-mode command (see [Table 14 on page 10](#)) and the set-MUX-mode command (see [Table 13 on page 10](#)).

Intermediate LCD biasing voltages are obtained from an internal voltage divider. The biasing configurations that apply to the preferred modes of operation, together with the biasing characteristics as functions of  $V_{LCD}$  and the resulting discrimination ratios (D), are given in [Table 26](#).

Discrimination is a term which is defined as the ratio of the  $V_{on(RMS)}$  and  $V_{off(RMS)}$  across a segment. It can be thought of as a measurement of contrast.

Table 26. LCD drive modes: summary of characteristics

LCD drive mode	Number of:		LCD bias configuration	$\frac{V_{off(RMS)}}{V_{LCD}}$	$\frac{V_{on(RMS)}}{V_{LCD}}$	$D = \frac{V_{on(RMS)}}{V_{off(RMS)}} [1]$	$V_{LCD} [2]$
	Backplanes	Levels					
static	1	2	static	0	1	$\infty$	$V_{on(RMS)}$
1:2 multiplex	2	3	$\frac{1}{2}$	0.354	0.791	2.236	$2.828 \times V_{off(RMS)}$
1:2 multiplex	2	4	$\frac{1}{3}$	0.333	0.745	2.236	$3.0 \times V_{off(RMS)}$
1:2 multiplex <sup>[3]</sup>	2	5	$\frac{1}{4}$	0.395	0.729	1.845	$2.529 \times V_{off(RMS)}$
1:4 multiplex <sup>[3]</sup>	4	3	$\frac{1}{2}$	0.433	0.661	1.527	$2.309 \times V_{off(RMS)}$
1:4 multiplex	4	4	$\frac{1}{3}$	0.333	0.577	1.732	$3.0 \times V_{off(RMS)}$
1:4 multiplex <sup>[3]</sup>	4	5	$\frac{1}{4}$	0.331	0.545	1.646	$3.024 \times V_{off(RMS)}$
1:6 multiplex <sup>[3]</sup>	6	3	$\frac{1}{2}$	0.456	0.612	1.341	$2.191 \times V_{off(RMS)}$
1:6 multiplex	6	4	$\frac{1}{3}$	0.333	0.509	1.527	$3.0 \times V_{off(RMS)}$
1:6 multiplex	6	5	$\frac{1}{4}$	0.306	0.467	1.527	$3.266 \times V_{off(RMS)}$
1:8 multiplex <sup>[3]</sup>	8	3	$\frac{1}{2}$	0.467	0.586	1.254	$2.138 \times V_{off(RMS)}$
1:8 multiplex <sup>[3]</sup>	8	4	$\frac{1}{3}$	0.333	0.471	1.414	$3.0 \times V_{off(RMS)}$
1:8 multiplex	8	5	$\frac{1}{4}$	0.293	0.424	1.447	$3.411 \times V_{off(RMS)}$

[1] Determined from Equation 3.

[2] Determined from Equation 2.

[3] In these examples the discrimination factor and hence the contrast ratios are smaller. The advantage of these LCD drive modes is a power saving from a reduction of the LCD voltage  $V_{LCD}$ .

A practical value for  $V_{LCD}$  is determined by equating  $V_{off(RMS)}$  with a defined LCD threshold voltage ( $V_{th(off)}$ ), typically when the LCD exhibits approximately 10 % contrast. In the static drive mode a suitable choice is  $V_{LCD} > 3V_{th(off)}$ .

Bias is calculated by  $\frac{1}{1+a}$ , where the values for a are

a = 1 for  $\frac{1}{2}$  bias

a = 2 for  $\frac{1}{3}$  bias

a = 3 for  $\frac{1}{4}$  bias

The RMS on-state voltage ( $V_{on(RMS)}$ ) for the LCD is calculated with Equation 1:

$$V_{on(RMS)} = V_{LCD} \sqrt{\frac{a^2 + 2a + n}{n \times (1 + a)^2}} \tag{1}$$

where  $V_{LCD}$  is the resultant voltage at the LCD segment and where the values for n are

n = 1 for static mode

n = 2 for 1:2 multiplex

n = 4 for 1:4 multiplex

n = 6 for 1:6 multiplex

n = 8 for 1:8 multiplex

The RMS off-state voltage ( $V_{off(RMS)}$ ) for the LCD is calculated with Equation 2:

$$V_{off(RMS)} = V_{LCD} \sqrt{\frac{a^2 - 2a + n}{n \times (1 + a)^2}} \tag{2}$$

Discrimination is the ratio of  $V_{on(RMS)}$  to  $V_{off(RMS)}$  and is determined from [Equation 3](#):

$$\frac{V_{on(RMS)}}{V_{off(RMS)}} = \sqrt{\frac{(a + 1)^2 + (n - 1)}{(a - 1)^2 + (n - 1)}} \tag{3}$$

It should be noted that  $V_{LCD}$  is sometimes referred as the LCD operating voltage.

**8.4.1.1 Electro-optical performance**

Suitable values for  $V_{on(RMS)}$  and  $V_{off(RMS)}$  are dependent on the LCD liquid used. The RMS voltage, at which a pixel will be switched on or off, determine the transmissibility of the pixel.

For any given liquid, there are two threshold values defined. One point is at 10 % relative transmission (at  $V_{th(off)}$ ) and the other at 90 % relative transmission (at  $V_{th(on)}$ ), see [Figure 15](#). For a good contrast performance, the following rules should be followed:

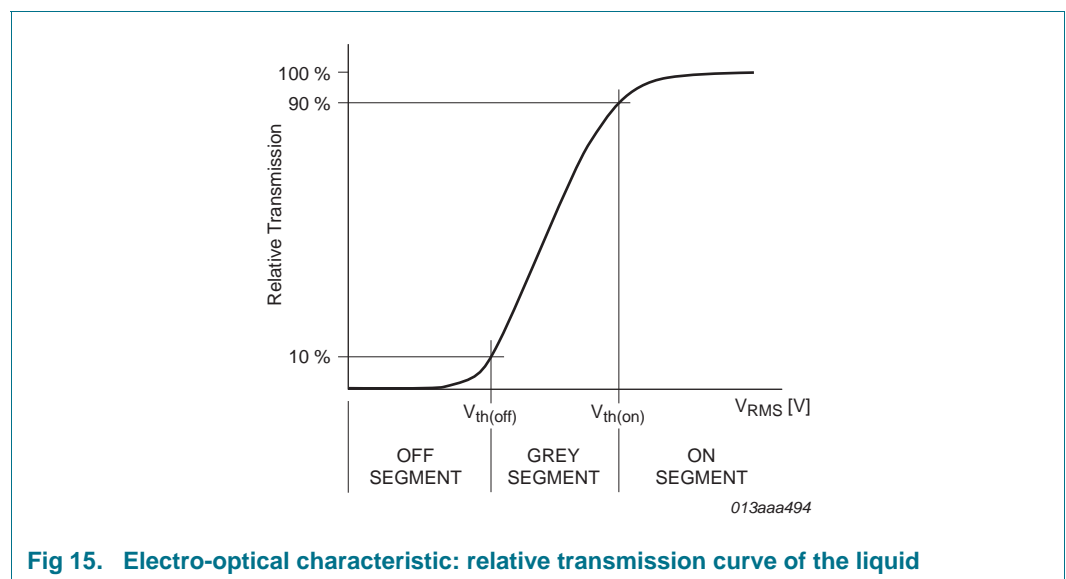
$$V_{on(RMS)} \geq V_{th(on)} \tag{4}$$

$$V_{off(RMS)} \leq V_{th(off)} \tag{5}$$

$V_{on(RMS)}$  and  $V_{off(RMS)}$  are properties of the display driver and are affected by the selection of  $a$ ,  $n$  (see [Equation 1](#) to [Equation 3](#)) and the  $V_{LCD}$  voltage.

$V_{th(off)}$  and  $V_{th(on)}$  are properties of the LCD liquid and can be provided by the module manufacturer.

It is important to match the module properties to those of the driver in order to achieve optimum performance.



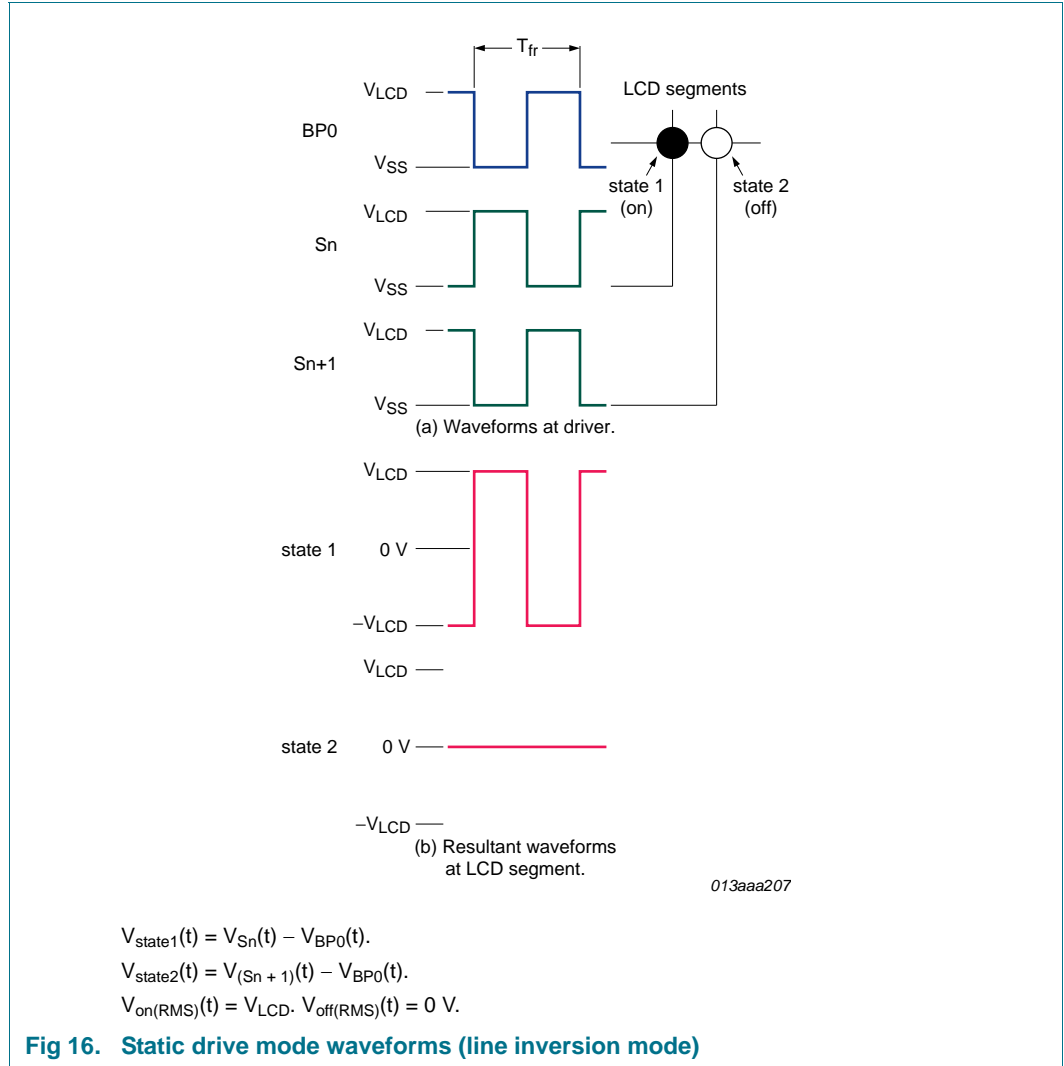
**Fig 15. Electro-optical characteristic: relative transmission curve of the liquid**



8.4.2 LCD drive mode waveforms

8.4.2.1 Static drive mode

The static LCD drive mode is used when a single backplane is provided in the LCD.



8.4.2.2 1:2 Multiplex drive mode

When two backplanes are provided in the LCD, the 1:2 multiplex mode applies. The PCA9620 allows the use of 1/2 bias or 1/3 bias in this mode as shown in Figure 17 and Figure 18.

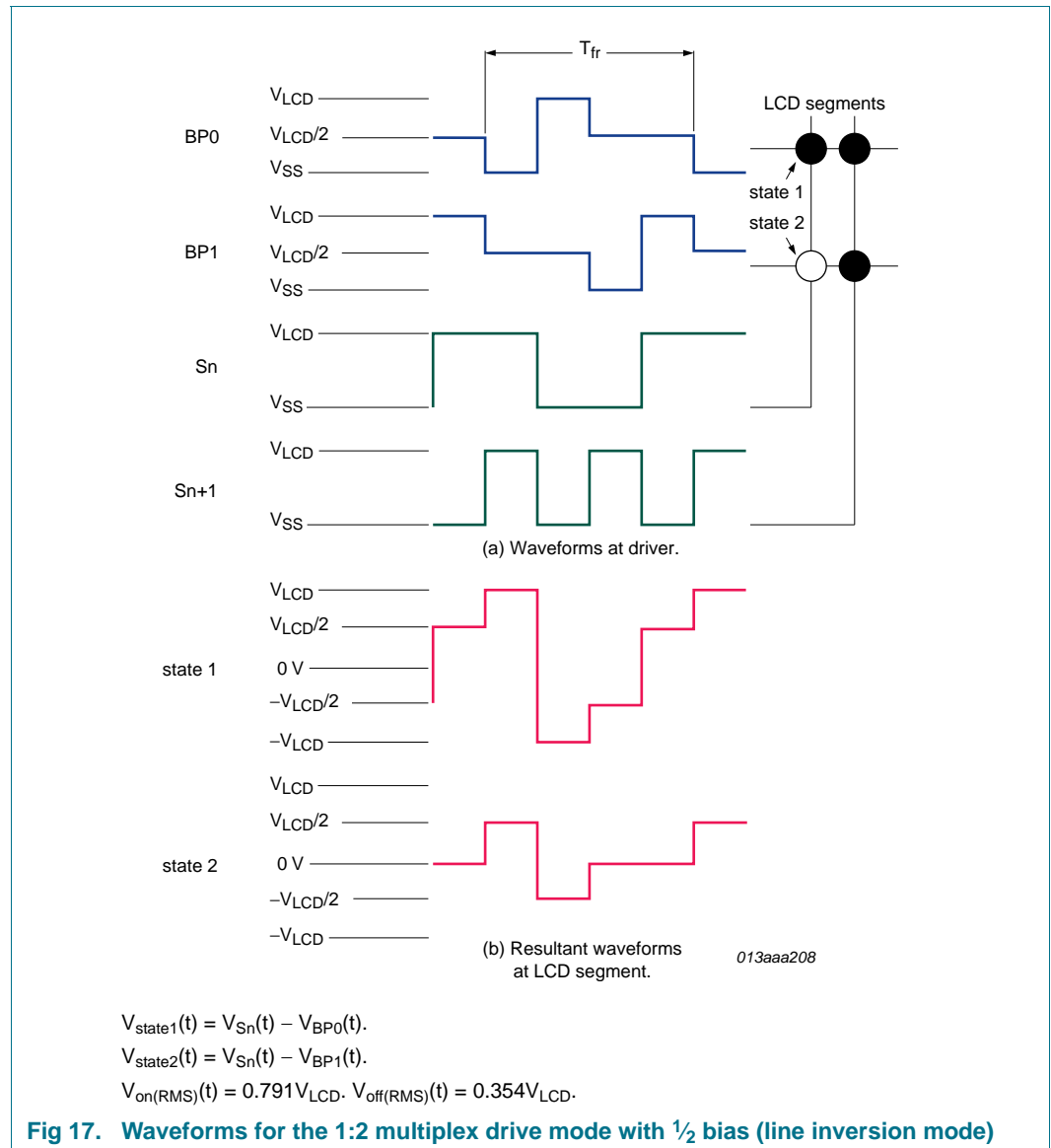
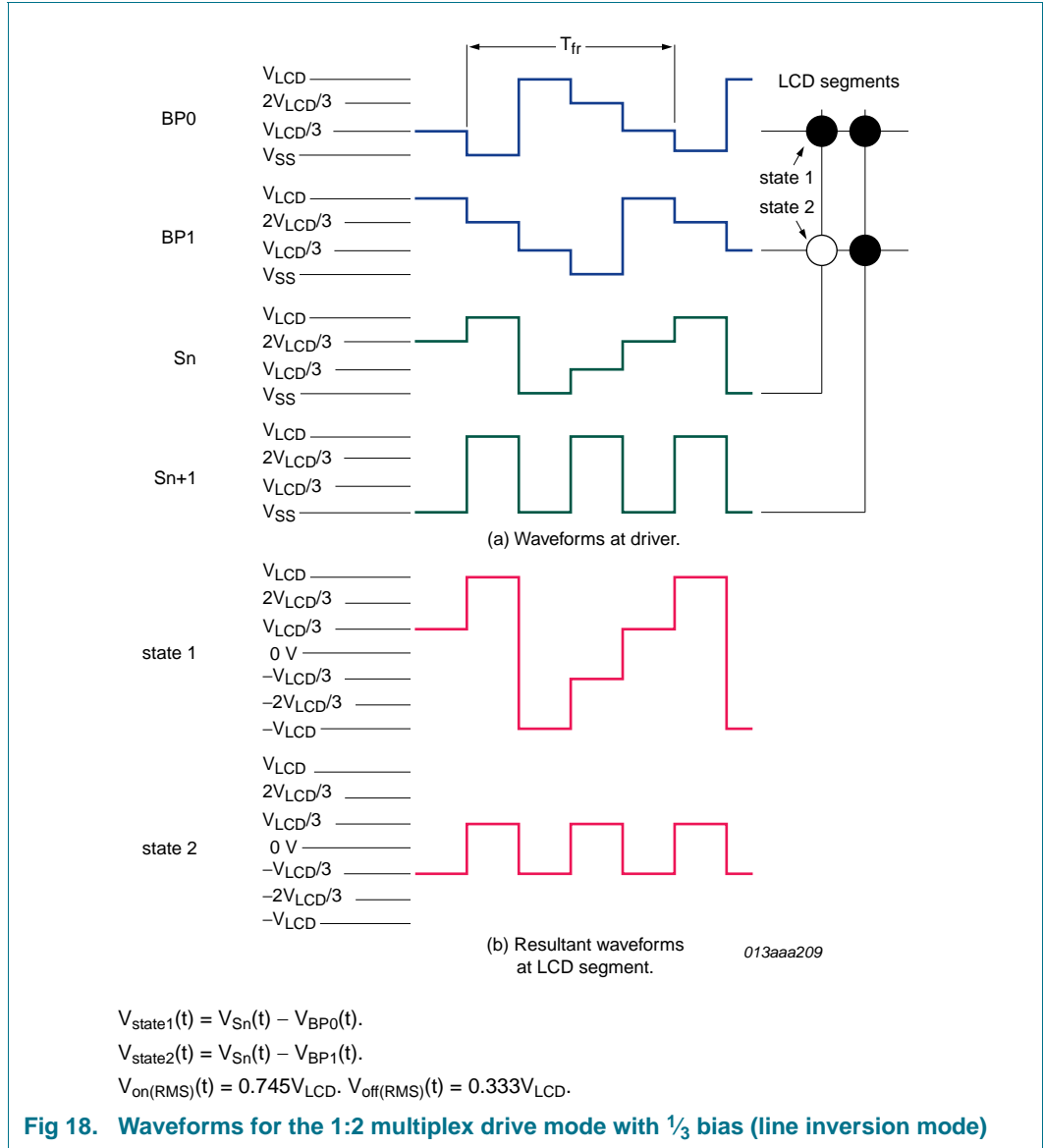


Fig 17. Waveforms for the 1:2 multiplex drive mode with 1/2 bias (line inversion mode)



8.4.2.3 1:4 Multiplex drive mode

When four backplanes are provided in the LCD, the 1:4 multiplex drive mode applies, as shown in Figure 19.

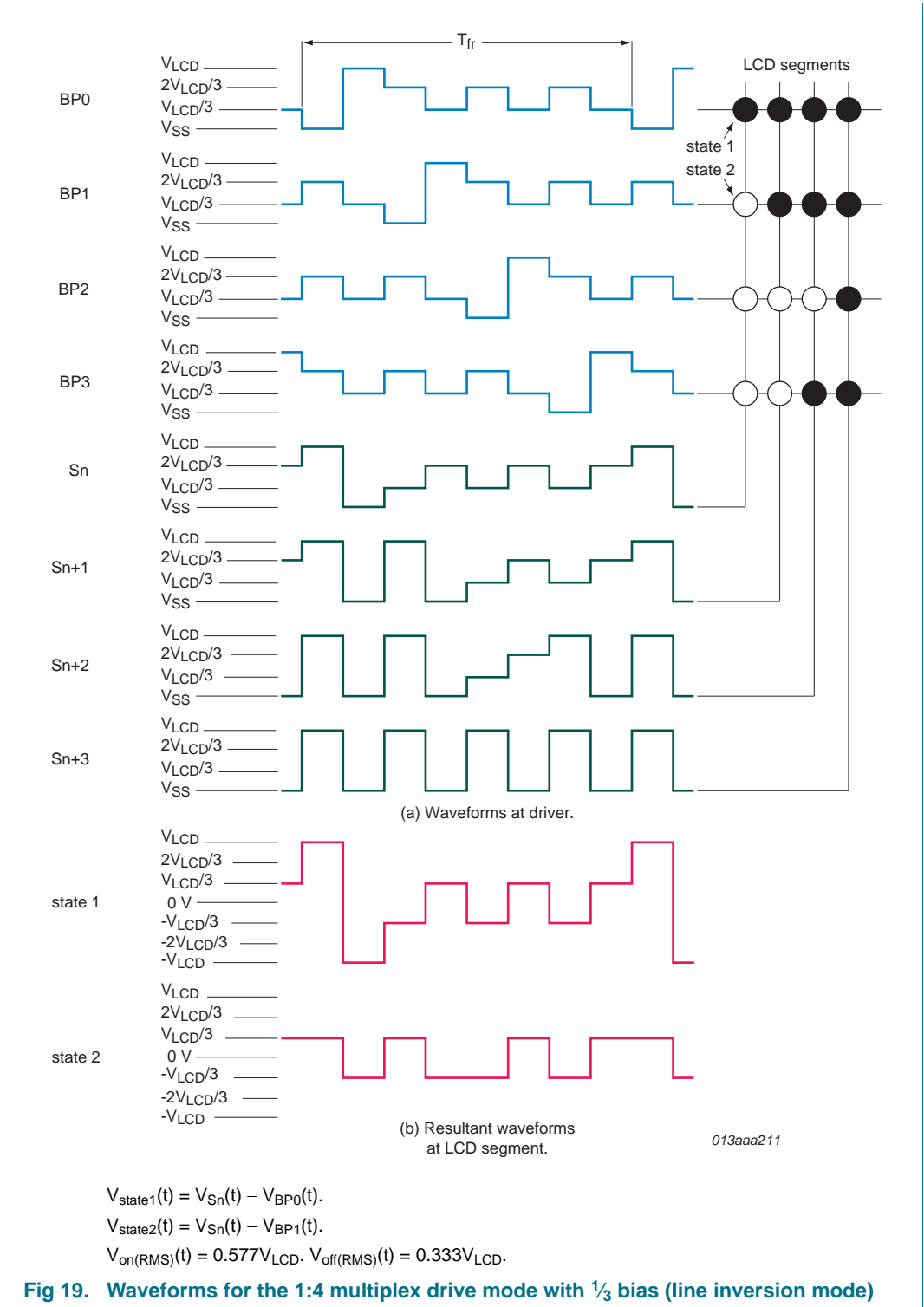


Fig 19. Waveforms for the 1:4 multiplex drive mode with 1/3 bias (line inversion mode)

8.4.2.4 1:6 Multiplex drive mode

When six backplanes are provided in the LCD, the 1:6 multiplex drive mode applies. The PCA9620 allows the use of 1/3 bias or 1/4 bias in this mode as shown in Figure 20 and Figure 21.

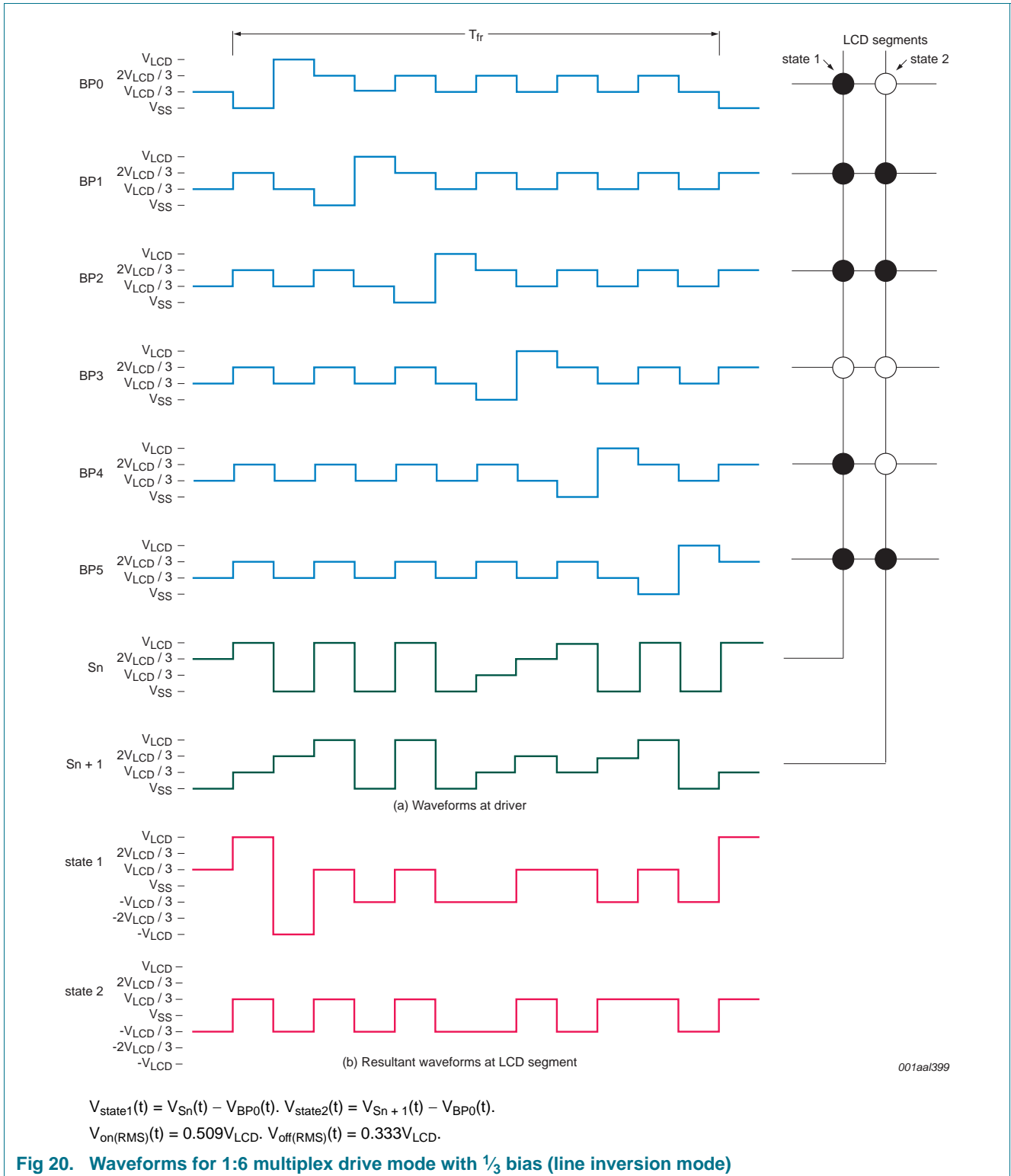
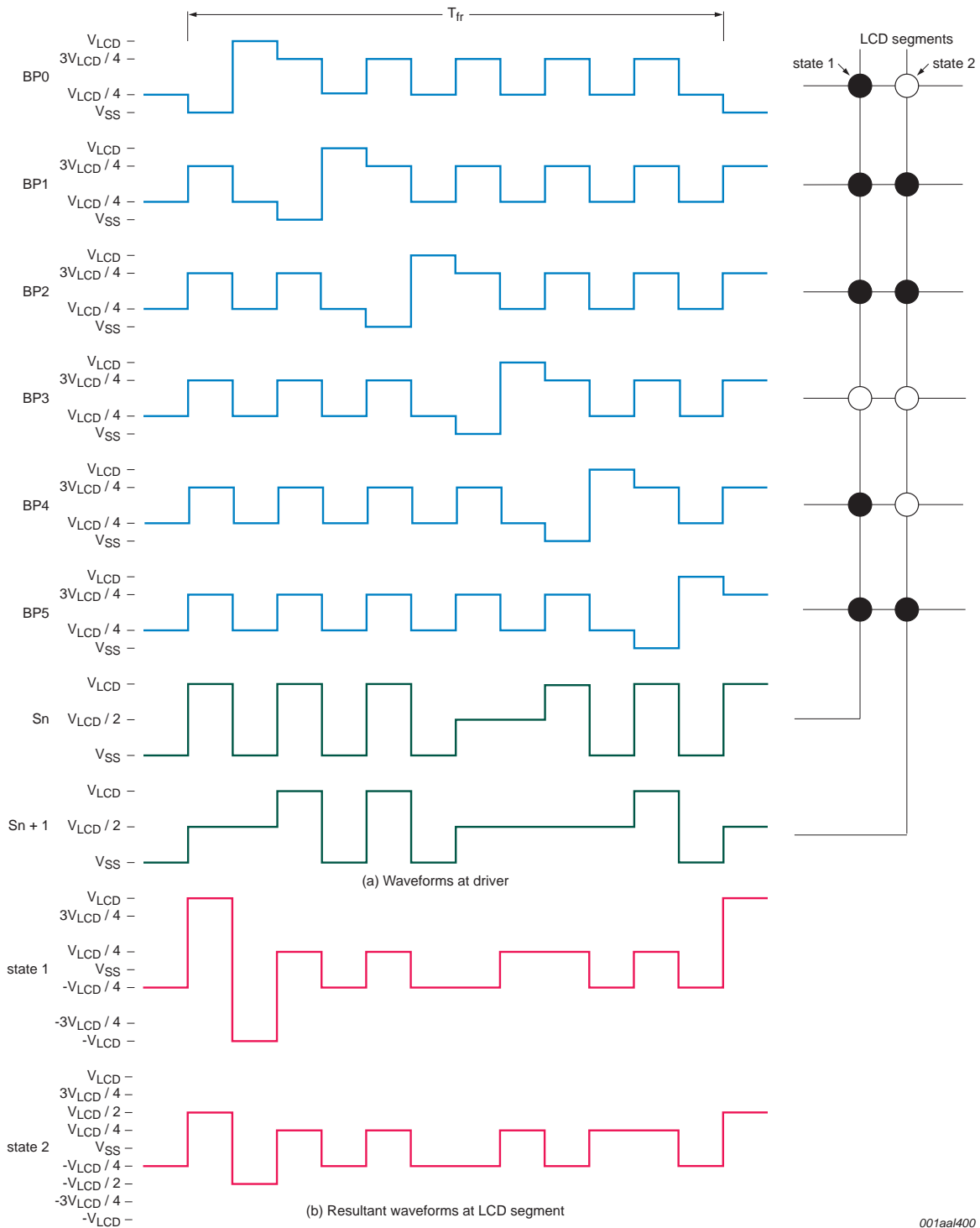


Fig 20. Waveforms for 1:6 multiplex drive mode with 1/3 bias (line inversion mode)

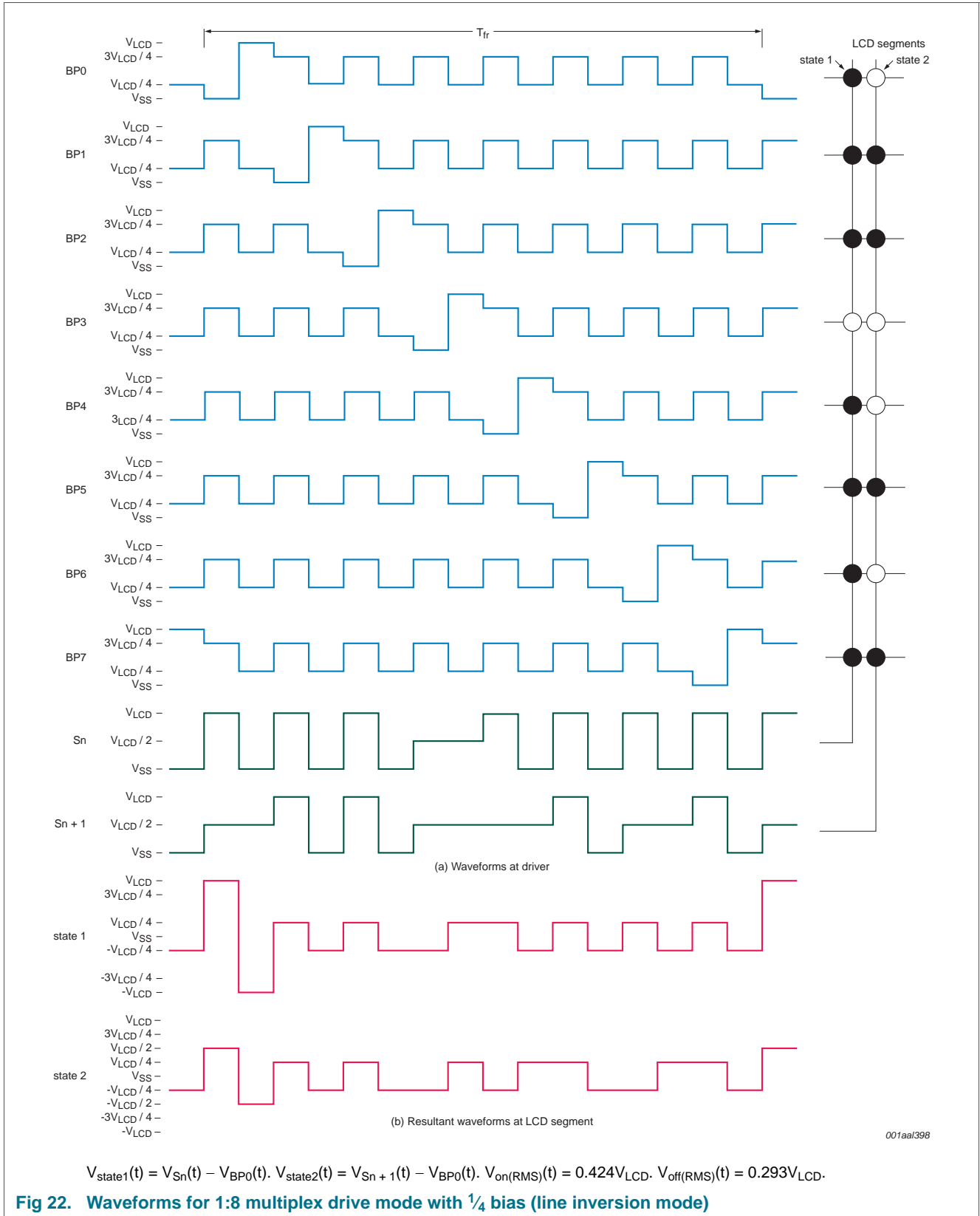


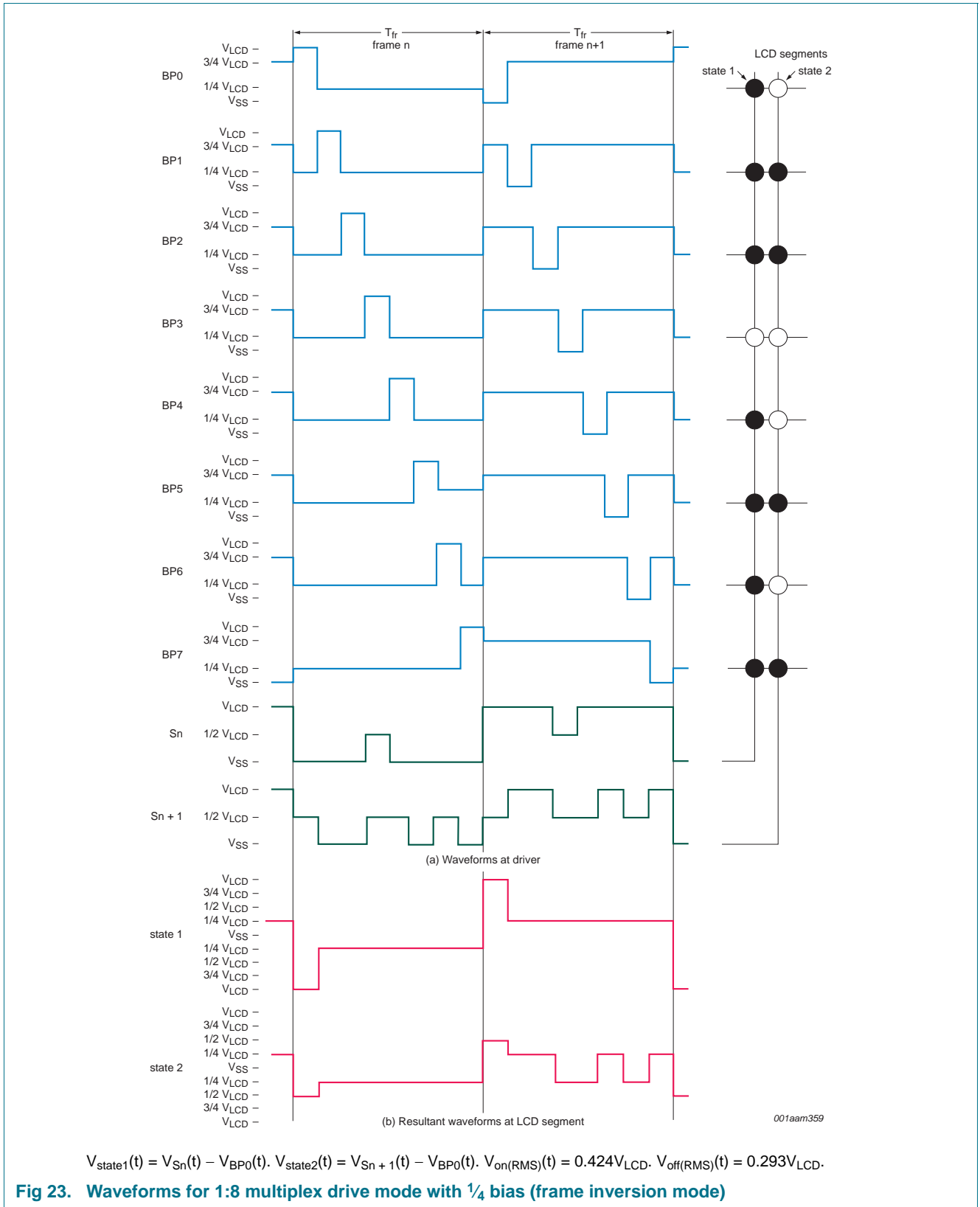
$$V_{state1}(t) = V_{Sn}(t) - V_{BP0}(t). \quad V_{state2}(t) = V_{Sn+1}(t) - V_{BP0}(t).$$

$$V_{on(RMS)}(t) = 0.467V_{LCD}. \quad V_{off(RMS)}(t) = 0.306V_{LCD}.$$

**Fig 21. Waveforms for 1:6 multiplex drive mode with 1/4 bias (line inversion mode)**

8.4.2.5 1:8 Multiplex drive mode







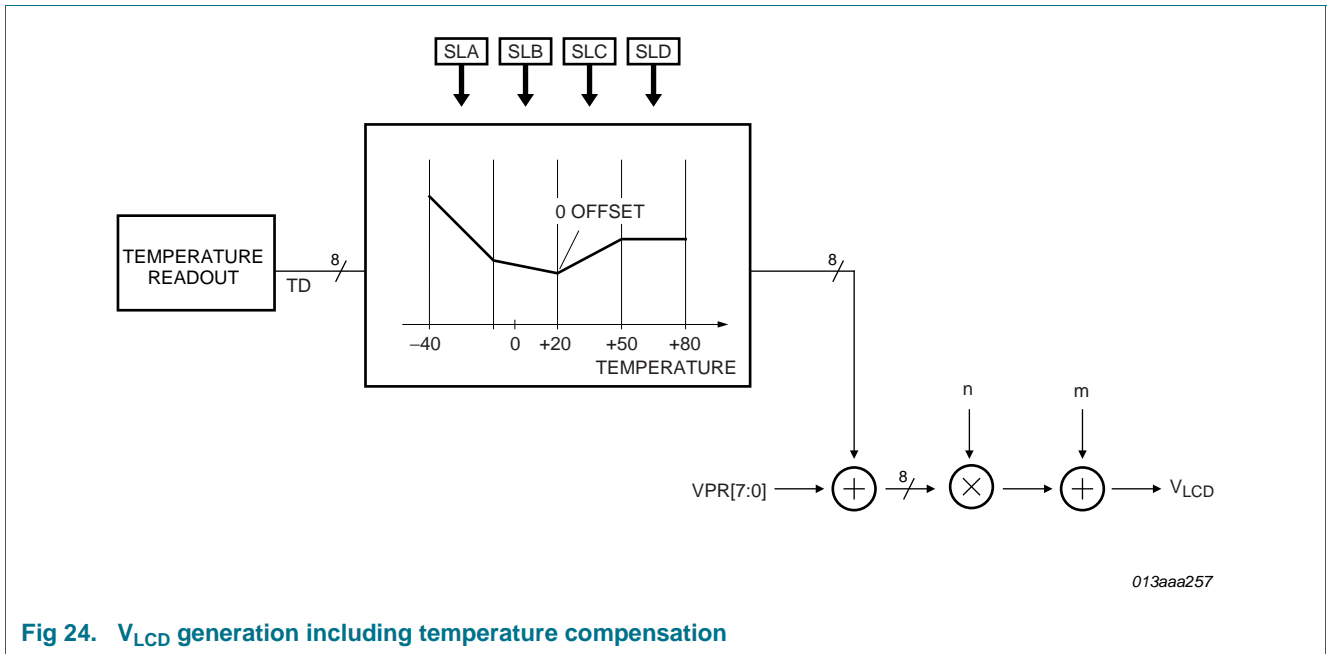
When eight backplanes are provided in the LCD, the 1:8 multiplex drive mode applies, as shown in [Figure 22](#) and [Figure 23](#).

**8.4.3 V<sub>LCD</sub> generation**

V<sub>LCD</sub> can be generated and controlled on the chip by using software commands. When the internal charge pump is used, the programmed V<sub>LCD</sub> is available on pin V<sub>LCD</sub>. The charge pump generates a V<sub>LCD</sub> of up to 3 × V<sub>DD2</sub>.

The charge pump can be enabled or disabled with the CPE bit (see [Table 8 on page 9](#)). With bit CPC, the charge pump multiplier setting can be configured.

The final value of V<sub>LCD</sub> is a combination of the programmed VPR[7:0] value and the output of the temperature compensation block, VT[7:0]. The system is shown in [Figure 24](#).



**Fig 24. V<sub>LCD</sub> generation including temperature compensation**

In [Equation 6](#) the main parameters are the programmed digital value term and the compensated temperature term.

$$V_{LCD} = [VPR[7:0] + VT[7:0]] \times n + m \tag{6}$$

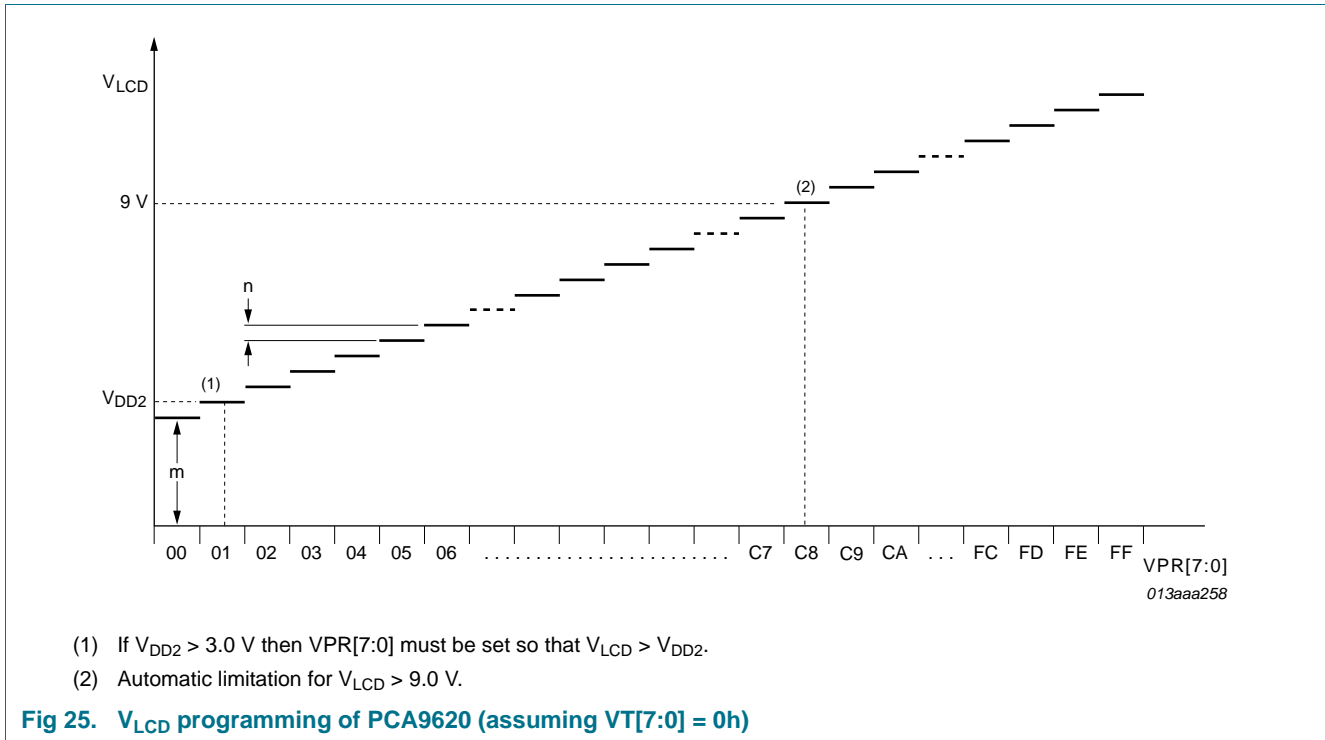
1. VPR[7:0] is the binary value of the programmed voltage.
2. VT[7:0] is the binary value of the temperature compensated voltage. Its value comes from the temperature compensation block and is a two's complement which has the value 0h at 20 °C.
3. m and n are fixed values (see [Table 27](#)).

**Table 27. Parameters of V<sub>LCD</sub> generation**

Symbol	Value	Unit
m	3	V
n	0.03	V

[Figure 25](#) shows how V<sub>LCD</sub> changes with the programmed value of VPR[7:0].

It has to be taken into account that the charge pump has to be configured (via bit CPC) properly to obtain the desired voltage range. For example, if  $V_{DD2} = 3.0\text{ V}$  and CPC is set to  $2 \times V_{DD2}$  (logic 0) then the maximum theoretical value that the charge pump can reach is  $V_{LCD} = 6.0\text{ V}$ . But in reality, lower values will be reached due to internal resistances, see [Section 8.4.5](#). So, if the requested value for  $V_{LCD} = 7.0\text{ V}$  then the charge pump has to be configured with CPC set to  $3 \times V_{DD2}$  (logic 1).



Programmable range of  $VPR[7:0]$  is from 0h to FFh. This would allow achieving  $V_{LCD} > 9.0\text{ V}$ , but the PCA9620 has a built-in automatic limitation of  $V_{LCD}$  at 9.0 V.

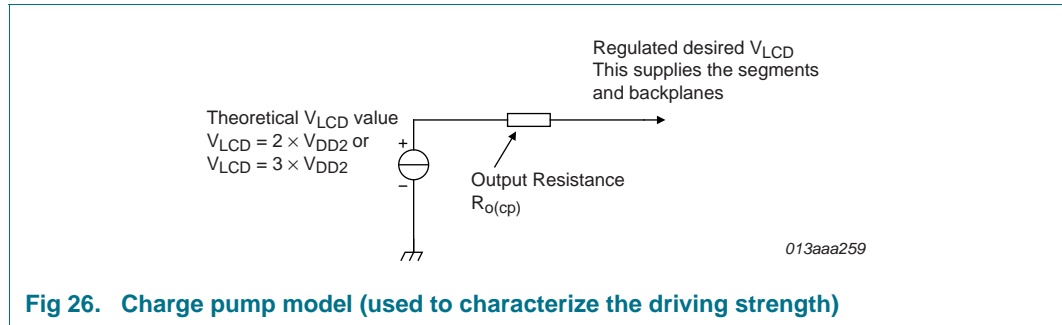
If  $V_{DD2}$  is higher than 3.0 V, then it is important that  $VPR[7:0]$  is set to a value such that the resultant  $V_{LCD}$  (including the temperature correction of  $VT[7:0]$ ) is higher than  $V_{DD2}$ .

**8.4.4 External  $V_{LCD}$  supply**

$V_{LCD}$  can be directly supplied to the  $V_{LCD}$  pin. In this case, the internal charge pump must not be enabled otherwise a high current may occur on pin  $V_{DD2}$  and pin  $V_{LCD}$ . When  $V_{LCD}$  is supplied externally, no internal temperature compensation occurs on this voltage even if bit TCE is set logic 1 (see [Section 8.4.8 on page 38](#)). The  $V_{LCD}$  voltage which is supplied externally will be available at the segments and backplanes of the device through the chosen bias system. Also programming the  $VPR[7:0]$  bit field has no effect on the  $V_{LCD}$  which is externally supplied.

### 8.4.5 Charge pump driving capability

Figure 26 illustrates the main factor determining how much current the charge pump can deliver.



The output resistance of the charge pump is specified in Table 35 on page 57. With these values, it can be calculated how much current the charge pump can drive under certain conditions.

Example: Assuming that the normal operation point is at 25 °C with  $V_{LCD} = 7.0\text{ V}$  and  $V_{DD2} = 5.0\text{ V}$  and the charge pump is set to  $2 \times V_{DD2}$ . Then the theoretical value of  $V_{LCD}$  is 10.0 V and the desired one is 7.0 V. The difference between the theoretical maximum value and desired one is 3.0 V. The charge pump resistance is nominally 0.85 kΩ. Equation 7 shows the possible current that the charge pump could deliver:

$$I_{load} = \Delta V_{LCD} / R_{o(cp)} \tag{7}$$

The result of this example is:  $I_{load} = 3.0\text{ V} / 0.85\text{ k}\Omega = 3.5\text{ mA}$

In cases where no extreme driving capability is needed, a command is available for decreasing the charge pump frequency (see Table 22 on page 13) and thus reducing the total current consumption. If the charge pump frequency is halved, then the driving capability is halved as well, whereas the output resistance doubles.

### 8.4.6 Charge pump frequency settings and power efficiency

The PCA9620 offers the possibility to use different frequency settings for the charge pump. Bit CPF controls the frequency at which the charge pump is running (see Table 22 on page 13). This frequency has a direct influence on the current consumption of the IC but also on the charge pump driving capability. Using a lower charge pump frequency decreases the current consumption and the driving capability.

The power efficiency of the charge pump determines in certain applications which frequency settings to choose for the CPF bit. Concerning the example shown in Figure 27: The current consumption was measured with

- charge pump set to  $2 \times V_{DD2}$
- $V_{DD2} = 3.0\text{ V}$
- VPR[7:0] set to maximum to obtain the highest possible  $V_{LCD}$  with this setup, which is close to 6.0 V

The current load on pin  $V_{LCD}$  determines the output power delivered by the IC:

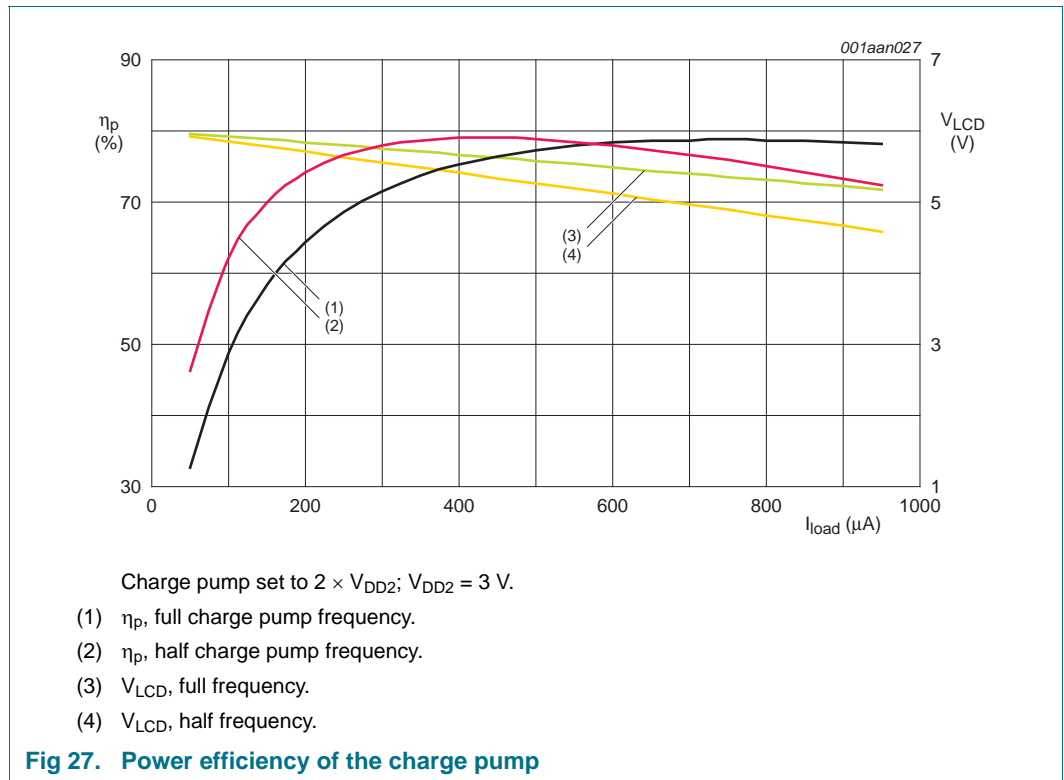
$$P_o = I_{load} \times V_{LCD} \tag{8}$$

The current consumption on pin  $V_{DD2}$  determines the input power taken by the IC:

$$P_i = I_{DD2} \times V_{DD2} \tag{9}$$

The ratio between these two numbers determines the charge pump power efficiency:

$$\eta_p = P_o / P_i \tag{10}$$



Loading the charge pump with higher currents decreases the output voltage. This decrease is determined by the charge pump driving capability, respectively by the output resistance of the charge pump (see [Table 35 on page 57](#)).

The power efficiency calculation is only valid when the charge pump is running at its maximum peak frequency and regulates the generated  $V_{LCD}$  voltage with full speed. In this case, the ripple on the  $V_{LCD}$  voltage equals the internal charge pump frequency. Approximately, this could also be calculated with the parameter of the output resistance of the charge pump (see [Table 35 on page 57](#)), the load current, and the voltage needed to be provided by using [Equation 7 on page 35](#). This value of  $I_{load}$  is close to the value of the load current needed for the application.

If the application runs with  $V_{DD2} = 3.0$  V, the load currents are up to  $400 \mu\text{A}$  (DC measured), and the  $V_{LCD}$  generated voltages are up to  $5.0$  V, then - concerning power efficiency - it would be the best to have a charge pump frequency set to half frequency.

If it is desired to change the charge pump frequency, it is recommended to make a graph like [Figure 27](#) and understand what the application requirements are. This would basically imply to find out what would be the maximum  $V_{LCD}$  requirements and what would be the maximum load currents required. Then it can be decided which is the best setting of bit CPF.

Tuning the charge pump frequency might be a difficult task to do. It requires good knowledge of the application in which the IC is being used; therefore, NXP is recommending to keep the CPF bit set logic 0 to have the maximum charge pump frequency, thus having the maximum driving strength.

### 8.4.7 Temperature readout

The PCA9620 has a built-in temperature sensor which provides an 8 bit digital value, TD[7:0], of the ambient temperature. This value can be read through the I<sup>2</sup>C interface (see [Figure 50 on page 54](#)). The actual temperature is determined from TD[7:0] using [Equation 11](#):

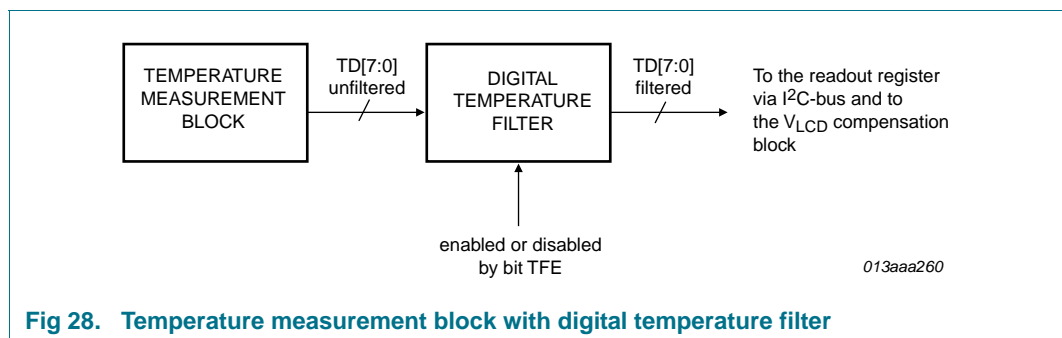
$$T (^{\circ}\text{C}) = 0.9375 \times TD[7:0] - 40 \tag{11}$$

The measurement needs about 5 ms to complete. it is repeated periodically as soon as bit TME is set logic 1 (see [Table 9 on page 9](#)). The time between measurements is linked to the system clock and hence varies with changes in the chosen frame frequency, see [Table 28](#).

**Table 28. Temperature measurement update rate**

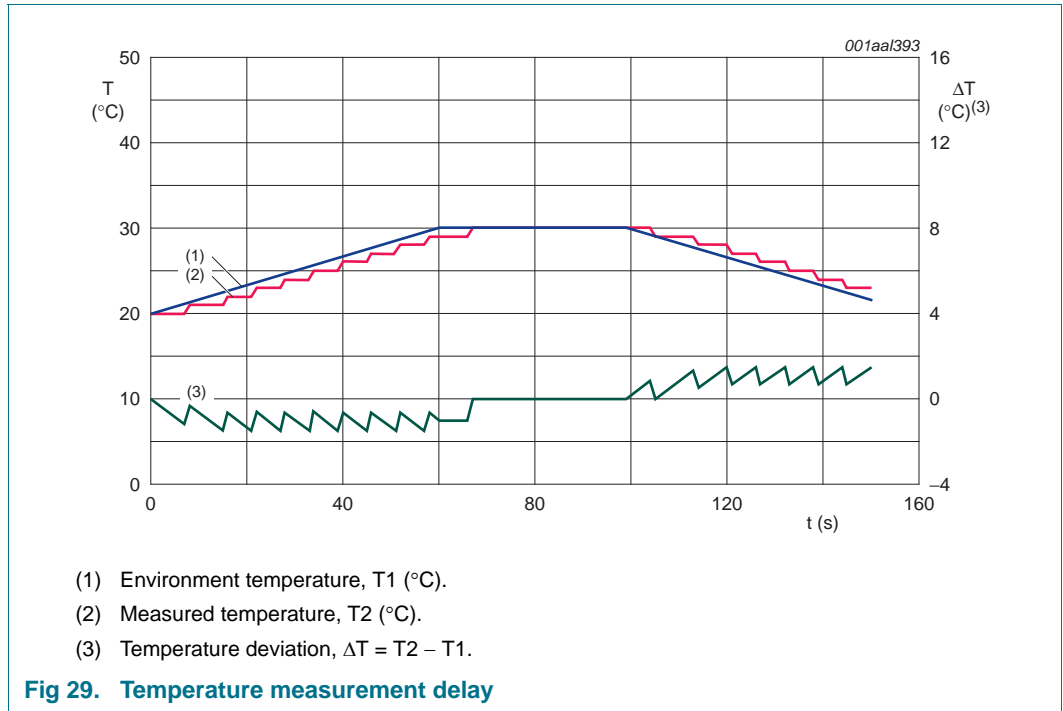
Selected frame frequency	Temperature measurement update rate
60 Hz	3.3 s
200 Hz	1 s
300 Hz	0.67 s

Due to the nature of a temperature sensor, oscillations on the  $V_{LCD}$  may occur. To avoid it, a filter has been implemented in PCA9620. The system is shown in [Figure 28](#).



**Fig 28. Temperature measurement block with digital temperature filter**

Like any other filtering, the digital temperature filter (see [Figure 28](#)) introduces a certain delay in the measurement of temperature. This behavior is illustrated in [Figure 29](#).



This delay may cause undesired effects at start-up when the environment temperature may be different than the reset value of the PCA9620 which is 20 °C. In this case, it takes up to 30 s until the correct measured temperature value will be available. A control bit, TFE, is implemented to enable or disable the digital temperature filter. This bit is set logic 0 by default which means that the filter is disabled and the unfiltered environment temperature value is available to calculate the desired  $V_{LCD}$ .

**8.4.8 Temperature compensation of  $V_{LCD}$**

Due to the temperature dependency of the liquid crystal viscosity, the LCD controlling voltage  $V_{LCD}$  might have to be adjusted at different temperatures to maintain optimal contrast. The temperature behavior of the liquid comes from the LCD manufacturer. The slope has to be set to compensate for the liquid behavior. Internal temperature compensation may be enabled via bit TCE.

The ambient temperature range is split up into four equally sized regions and a different temperature coefficient can be applied to each (see [Figure 30](#)). Each coefficient can be selected from a choice of eight different slopes. Each one of these coefficients (see [Table 29](#)) may be independently selected via the temp-comp-SLA to temp-comp-SLD commands (see [Table 4 on page 7](#)).

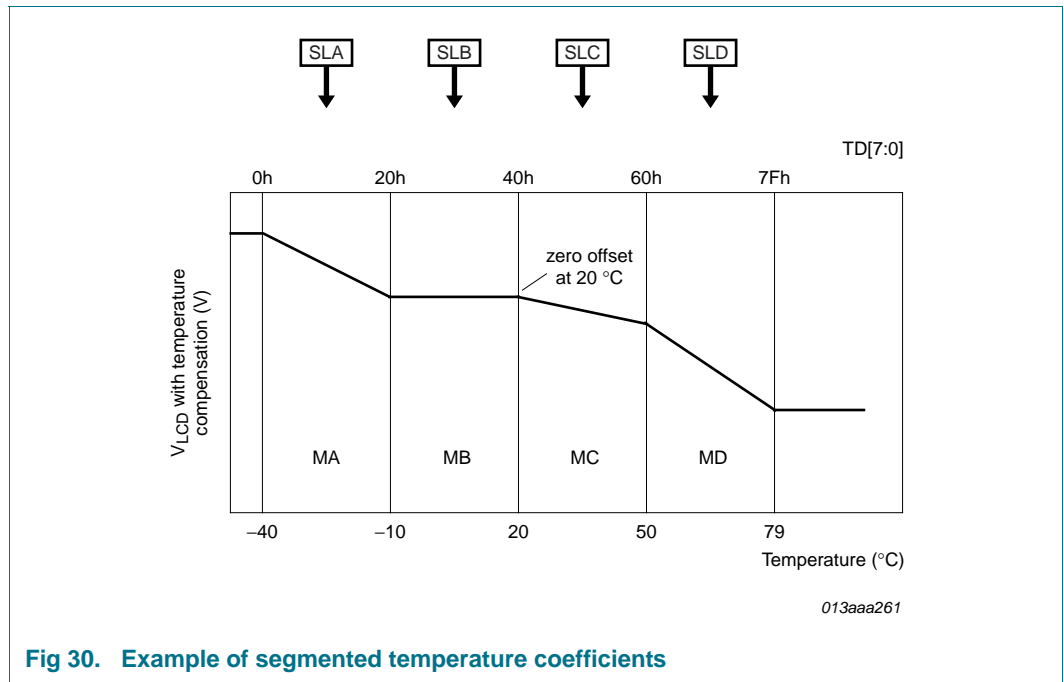
**Table 29. Temperature coefficients**

SLA[2:0] to SLD[2:0] value	Corresponding slope factor (mV/°C)	Temperature coefficients MA, MB, MC, MD <sup>[1]</sup>
000 <sup>[2]</sup>	0	0.00
001	-4	-0.125
010	-8	-0.25
011	-16	-0.5
100	-40	-1.25
101	+4	0.125
110	+8	0.25
111	+16	0.5

[1] The relationship between the temperature coefficients MA to MD and the slope factor is derived from the following equation:  $Mx = \frac{0.9375}{0.03} \times \frac{slope}{1000}$ .

[2] Default value.

The slope factors imply a linear correction, however the implementation is set in steps of 30 mV (parameter n in [Table 27 on page 33](#)).



**Fig 30. Example of segmented temperature coefficients**

**Remark:** After reset, V<sub>LCD</sub> is fixed because the VPR[7:0] bit field is reset logic 0. The value of VT[7:0] is generated by the reset value of TD[7:0] (40h, representing 20 °C). Temperature compensation is implemented by adding an offset VT[7:0] to the VPR[7:0] value. VT[7:0] is a two's complement number that equals 0h at 20 °C. The final result for V<sub>LCD</sub> calculation is an 8-bit positive number (see [Equation 6 on page 33](#)).

**Remark:** Care must be taken that the ranges of VPR[7:0] and VT[7:0] do not cause clipping and hence undesired results. The device will not permit overflow or underflow and will clamp results to either end of the range.

The  $V_{offset(LCD)}$  value can be calculated with the equations given in [Table 30](#):

$$V_{offset(LCD)} = m \times V_T \tag{12}$$

**Table 30. Calculation of the temperature compensated voltage  $V_T$**

Temperature range	TD[7:0]	Offset equation for $V_T$
$T \leq -40\text{ °C}$	0h	$V_T = -32 \times MA - 32 \times MB$
$-40\text{ °C} \leq T \leq -10\text{ °C}$	0h to 20h	$V_T = (TD[7:0] - 32) \times MA - 32 \times MB$
$-10\text{ °C} < T \leq 20\text{ °C}$	21h to 40h	$V_T = (TD[7:0](-64)) \times MB$
$20\text{ °C} < T \leq 50\text{ °C}$	41h to 60h	$V_T = (TD[7:0] - 64) \times MC$
$50\text{ °C} < T < 80\text{ °C}$	61h to 7Eh	$V_T = (TD[7:0] - 96) \times MD + 32 \times MC$
$80\text{ °C} \leq T$	7Fh <sup>[1]</sup>	$V_T = 31 \times MD + 32 \times MC$

[1] No temperature compensation is possible above 80 °C. Above this value, the system maintains the compensation value from 80 °C.

**Example:** Assumed that  $T_{amb} = -8\text{ °C}$ ;  $TD[7:0] = 22h$ ;  $MB = -0.5$ :

$$V_{offset(LCD)} = m \times V_T = m \times (TD[7:0] - 64) \times MB = 30mV \times ((34 - 64) \times -0.5) = 30mV \times -30 \times -0.5 = 450mV \tag{13}$$

The  $VT[7:0]$  term is calculated using the digital temperature value  $TD[7:0]$  which is provided by the temperature measurement block ([Section 8.4.7](#)). Therefore the accuracy of the temperature measurement block ( $T_{acc}$ , see [Table 35 on page 57](#)) will be directly translated to the LCD voltage deviation  $\Delta V_{LCD}$ .

Since  $VT[7:0] = f[T, slope]$  and  $T_{acc} = \pm 6\text{ °C}$  then  $\Delta V_T = T_{acc} \times slope$ , where slope has one of the possible values specified in [Table 29](#). This term will be added to the total LCD voltage deviation  $\Delta V_{offset(LCD)tot}$  over the temperature range. So the total  $V_{LCD}$  offset will be:  $\Delta V_{offset(LCD)tot} = \Delta V_{LCD} + \Delta V_T$ .

## 8.5 Oscillator

The internal logic and LCD drive signals of the PCA9620 are timed by a frequency  $f_{clk}$  which either is the built-in oscillator frequency  $f_{osc}$  or equals an external clock frequency.

### 8.5.1 Internal oscillator

When the internal oscillator is used, it is possible to make the clock signal available on pin CLK by using the oscillator-ctrl command (see [Table 7 on page 8](#)). If this is not intended, pin CLK should be left open. At power-on the signal at pin CLK is disabled and pin CLK is in 3-state.

The duty cycle of the output clock provided on the CLK pin is not always 50 : 50. [Table 17 on page 11](#) shows the expected duty cycle for each of the chosen frame frequencies.

### 8.5.2 External clock

In applications where an external clock needs to be applied to the PCA9620, bit OSC (see [Table 7 on page 8](#)) must be set logic 1. In this case pin CLK becomes an input.



The CLK signal is a signal that is fed into the V<sub>DD1</sub> domain so it must have an amplitude equal to the V<sub>DD1</sub> voltage supplied to the chip and be referenced to V<sub>SS</sub>.

The clock frequency (f<sub>clk</sub>) determines the LCD frame frequency f<sub>fr</sub>.

**Remark:** If an external clock is used then this clock signal must always be supplied to the device; removing the clock may freeze the LCD in a DC state, which is not suitable for the liquid crystal. Removal of the clock is possible when following the correct procedures. See [Figure 13 on page 21](#) and [Figure 14 on page 22](#).

### 8.5.3 Timing and frame frequency

The timing of the PCA9620 organizes the internal data flow of the device. It includes the transfer of display data from the display RAM to the display segment outputs. The timing also generates the LCD frame frequency which it derives as an integer division of the clock frequency. The frame frequency is a fixed division of the internal clock or of the frequency applied to pin CLK when an external clock is used:

$$f_{fr} = \frac{f_{clk}}{48} \tag{14}$$

When the internal clock is used, the clock and frame frequency can be programmed by software such that the nominal frame frequency can be chosen in steps of 10 Hz in the range of 60 Hz to 300 Hz (see [Table 17 on page 11](#)). Furthermore the nominal frame frequency is factory-calibrated with an accuracy of ±15 %.

When the internal clock is enabled at pin CLK by using bit COE, the duty ratio of the clock may change when choosing different values for the frame frequency prescaler. [Table 17 on page 11](#) shows the different output duty ratios for each frame frequency prescaler setting.

### 8.6 Backplane outputs

The LCD drive section includes eight backplane outputs: BP0 to BP7. The backplane output signals are generated based on the selected LCD multiplex drive mode.

[Table 31](#) describes which outputs are active for each of the multiplex drive modes and what signal is generated.

**Table 31. Mapping of output pins and corresponding output signals with respect to the multiplex driving mode**

Multiplex drive mode	Output pin							
	BP0	BP1	BP2	BP3	BP4	BP5	BP6	BP7
	Signal							
1:8	BP0	BP1	BP2	BP3	BP4	BP5	BP6	BP7
1:6	BP0	BP1	BP2	BP3	BP4	BP5	BP0 <sup>[1]</sup>	BP1 <sup>[1]</sup>
1:4	BP0	BP1	BP2	BP3	BP0 <sup>[1]</sup>	BP1 <sup>[1]</sup>	BP2 <sup>[1]</sup>	BP3 <sup>[1]</sup>
1:2	BP0	BP1	BP0 <sup>[1]</sup>	BP1 <sup>[1]</sup>	BP0 <sup>[1]</sup>	BP1 <sup>[1]</sup>	BP0 <sup>[1]</sup>	BP1 <sup>[1]</sup>
static	BP0	BP0 <sup>[1]</sup>	BP0 <sup>[1]</sup>	BP0 <sup>[1]</sup>	BP0 <sup>[1]</sup>	BP0 <sup>[1]</sup>	BP0 <sup>[1]</sup>	BP0 <sup>[1]</sup>

[1] These pins may optionally be connected to the display to improve drive strength. Connect only with the corresponding output pin carrying the same signal. If not required, they can be left open-circuit.

## 8.7 Segment outputs

The LCD drive section includes 60 segment outputs (S0 to S59) which must be connected directly to the LCD. The segment output signals are generated based on the multiplexed backplane signals and with data resident in the display register. When less than 60 segment outputs are required, the unused segment outputs must be left open-circuit.

## 8.8 Display register

The display register holds the display data while the corresponding multiplex signals are generated.

## 8.9 Display RAM

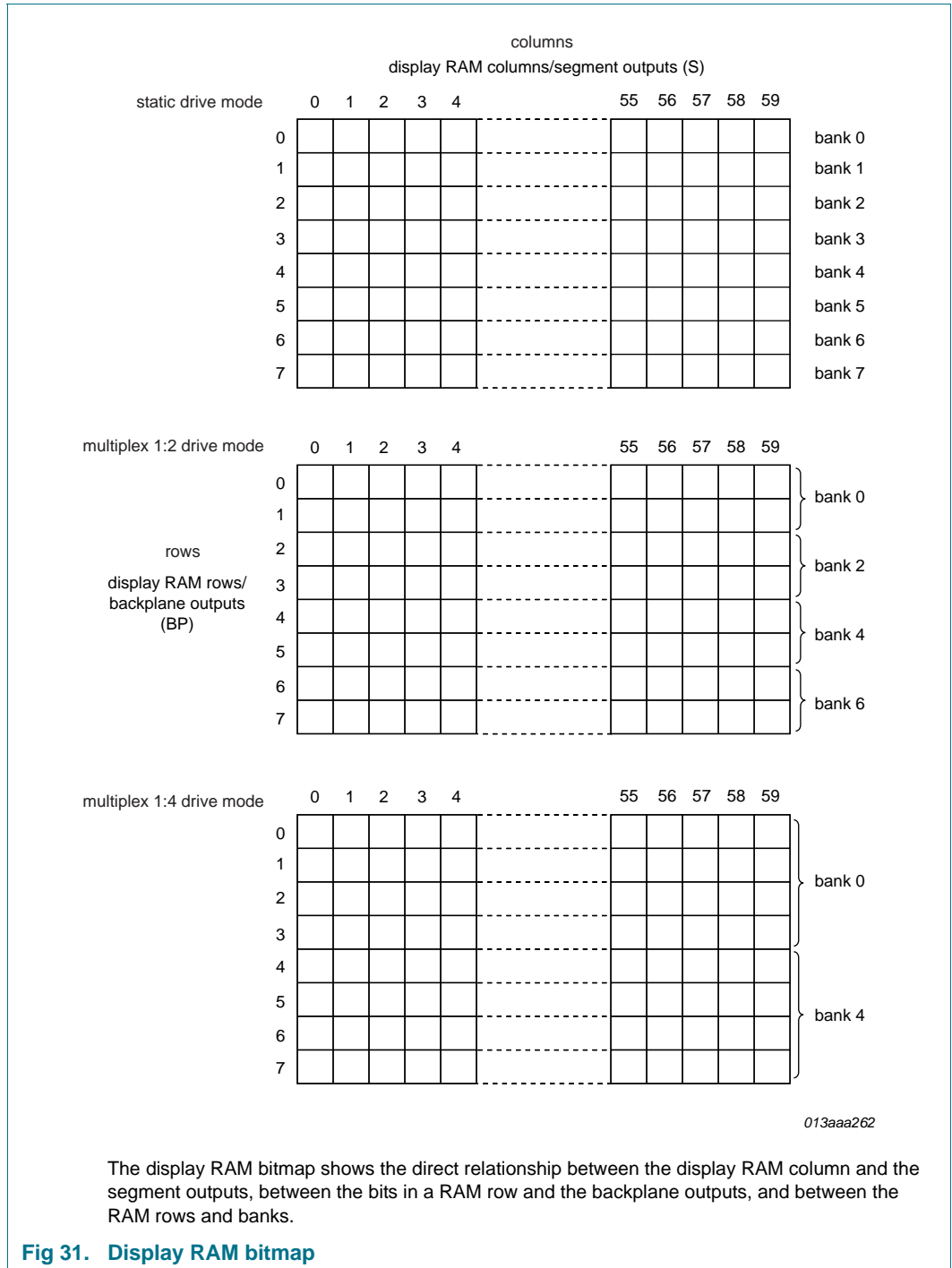
The display RAM is a static  $60 \times 8$ -bit RAM which stores LCD data. Logic 1 in the RAM bit map indicates the on-state of the corresponding LCD element; similarly, logic 0 indicates the off-state.

There is a one-to-one correspondence between

- the bits in the RAM bitmap and the LCD elements
- the RAM columns and the segment outputs
- the RAM rows and the backplane outputs.

The display RAM bit map, [Figure 31](#), shows row 0 to row 7 which correspond with the backplane outputs BP0 to BP7, and column 0 to column 59 which correspond with the segment outputs S0 to S59. In multiplexed LCD applications, the data of each row of the display RAM is time-multiplexed with the corresponding backplane (row 0 with BP0, row 1 with BP1, and so on).

When display data is transmitted to the PCA9620, the display bytes received are stored in the display RAM in accordance with the selected LCD multiplex drive mode. The data is stored as it arrives and does not wait for the acknowledge cycle as with the commands. Depending on the current multiplex drive mode, data is stored singularly, in pairs, quadruples, sextuples or bytes.



**8.9.1 Data pointer**

The addressing mechanism for the display RAM is realized using the data pointer. It allows the loading of an individual display data byte, or a series of display data bytes into any location of the display RAM. The sequence commences with the initialization of the data pointer by the load-data-pointer command. Following this command, an arriving data byte is stored starting at the display RAM address indicated by the data pointer.

The data pointer is automatically incremented in accordance with the chosen LCD multiplex drive mode configuration. That is, after each byte is stored, the contents of the data pointer are incremented

- by eight (static drive mode)
- by four (1:2 multiplex drive mode)
- by two (1:4 multiplex drive mode)
- by one or two (1:6 multiplex drive mode), see [Figure 38 on page 47](#)
- by one (1:8 multiplex drive mode)

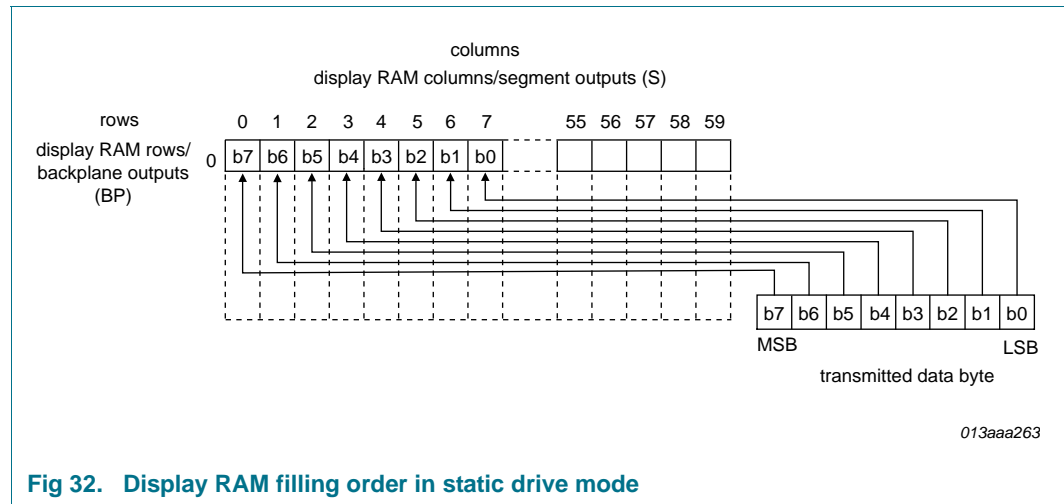
If the data pointer reaches the end of the RAM row, it is automatically wrapped around to address 0. This means that it can be continuously written to or read from the display RAM.

The data pointer should always be set to an address where the remaining RAM is divisible by eight because odd bits will be discarded (see [Figure 33](#)). This behavior is only shown in static drive mode because the 60 RAM cells cannot be divided by eight without remainder.

If an I<sup>2</sup>C-bus data access is terminated early, then the state of the data pointer is unknown. The data pointer must then be re-written before further RAM accesses.

**8.9.1.1 RAM filling in static drive mode**

In the static drive mode the eight transmitted data bits are placed in eight successive display RAM columns in row 0 (see [Figure 32](#)).



In order to fill the whole RAM row, 8 bytes must be sent to the PCA9620, but the last 4 bits from the last byte are discarded, and the data pointer is wrapped around to column 0 to start a possible RAM content update (see [Figure 33](#)).

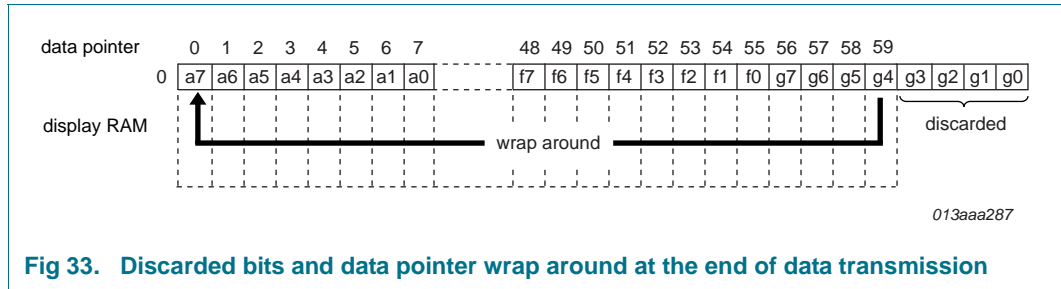


Fig 33. Discarded bits and data pointer wrap around at the end of data transmission

8.9.1.2 RAM filling in 1:2 multiplex drive mode

In the 1:2 multiplex drive mode the eight transmitted data bits are placed in four successive display RAM columns of two rows (see Figure 34).

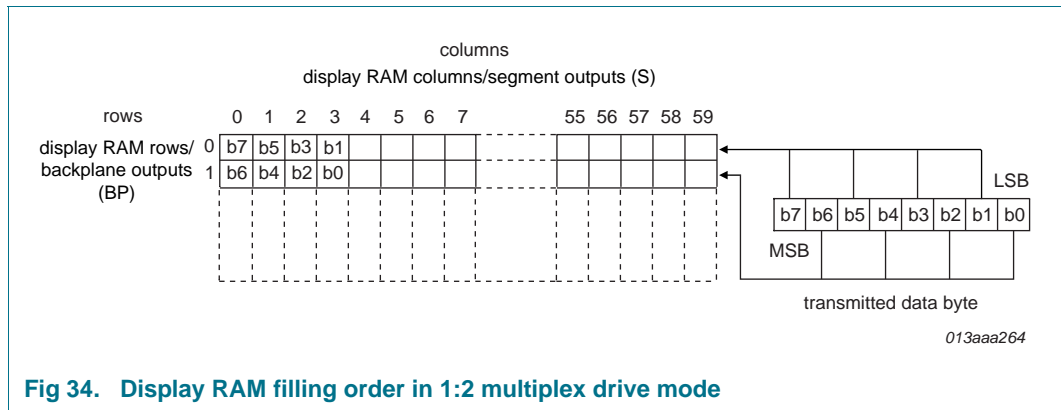


Fig 34. Display RAM filling order in 1:2 multiplex drive mode

In order to fill the whole two RAM rows 15 bytes need to be sent to the PCA9620. After the last byte sent, the data pointer is wrapped around to column 0 to start a possible RAM content update (see Figure 35). Even if a data byte is transmitted during the wrapping of the data pointer, then all the bits in the byte will be written correctly.

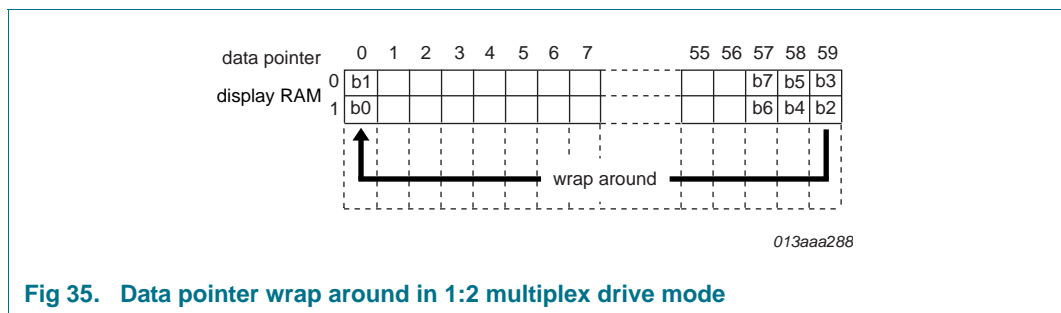
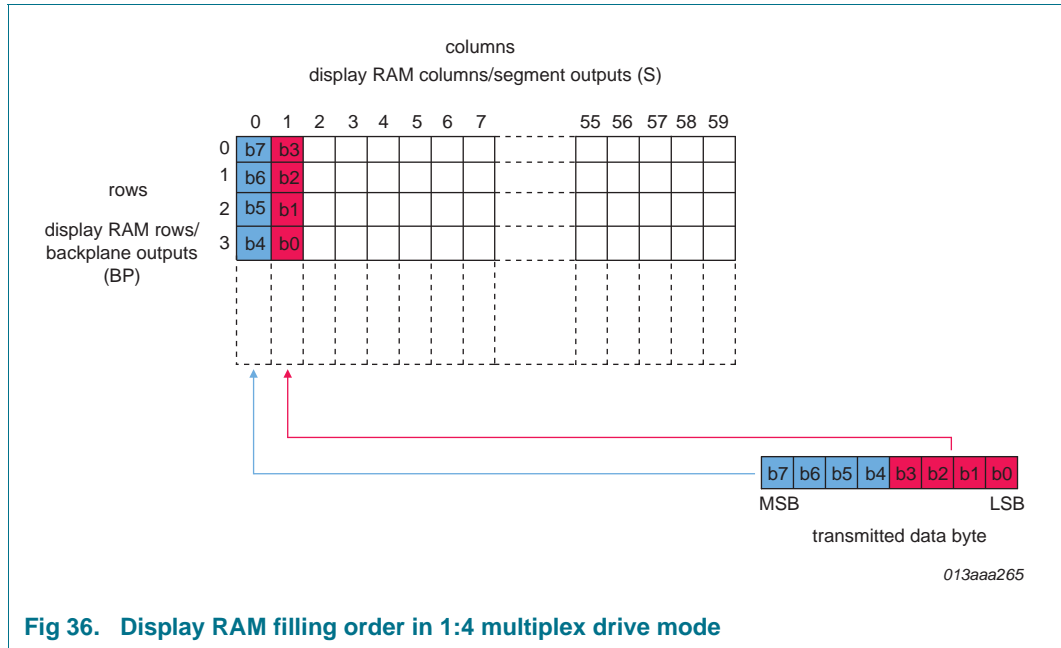


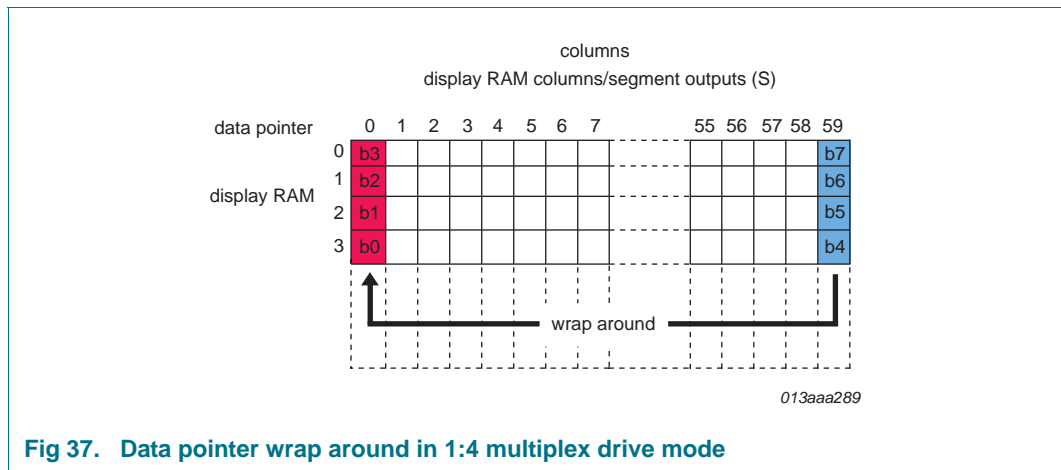
Fig 35. Data pointer wrap around in 1:2 multiplex drive mode

8.9.1.3 RAM filling in 1:4 multiplex drive mode

In the 1:4 multiplex drive mode the eight transmitted data bits are placed in two successive display RAM columns of four rows (see Figure 36).



In order to fill the whole four RAM rows 30 bytes need to be sent to the PCA9620. After the last byte sent, the data pointer is wrapped around to column 0 to start a possible RAM content update (see [Figure 37](#)). Even if a data byte is transmitted during the wrapping of the data pointer, all the bits in the byte will be written correctly.



**8.9.1.4 RAM filling in 1:6 multiplex drive mode**

In the 1:6 multiplex drive mode the RAM is organized in six rows and 60 columns. The eight transmitted data bits are placed in such a way, that a column is filled up (see [Figure 38](#)).

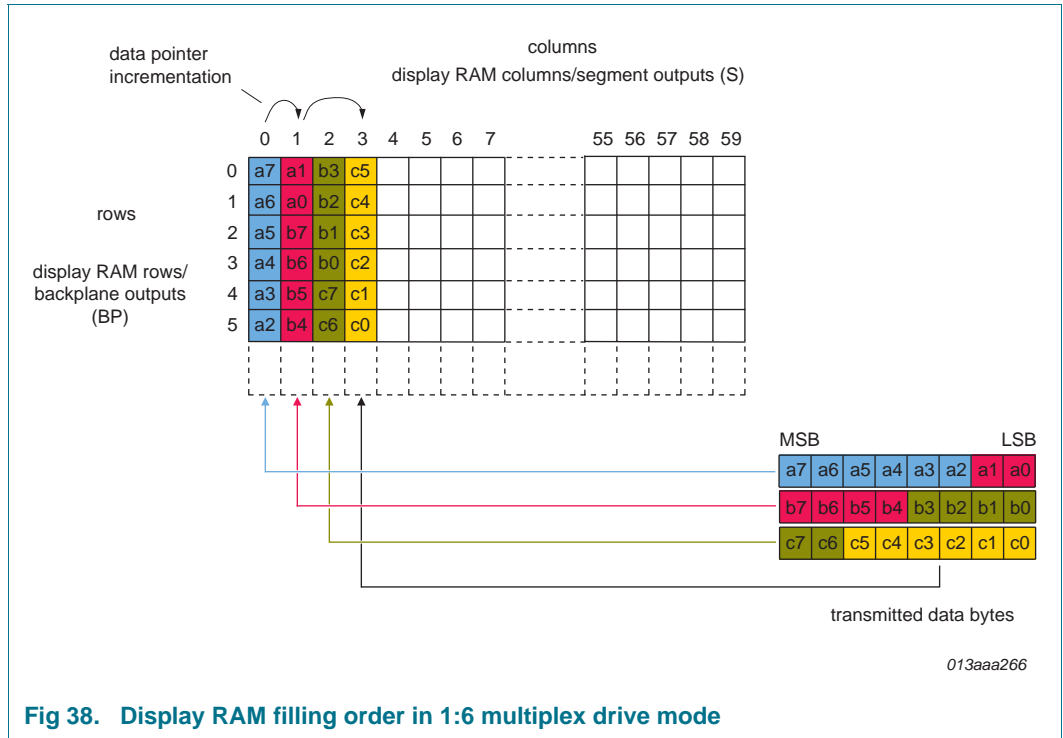


Fig 38. Display RAM filling order in 1:6 multiplex drive mode

The remaining bits are wrapped up into the next column. In order to fill the whole RAM addresses 45 bytes need to be sent to the PCA9620. After the last byte sent, the data pointer is wrapped around to column 0 to start a possible RAM content update (see Figure 39). Even if a data byte is transmitted during the wrapping of the data pointer, all the bits in the byte will be written correctly.

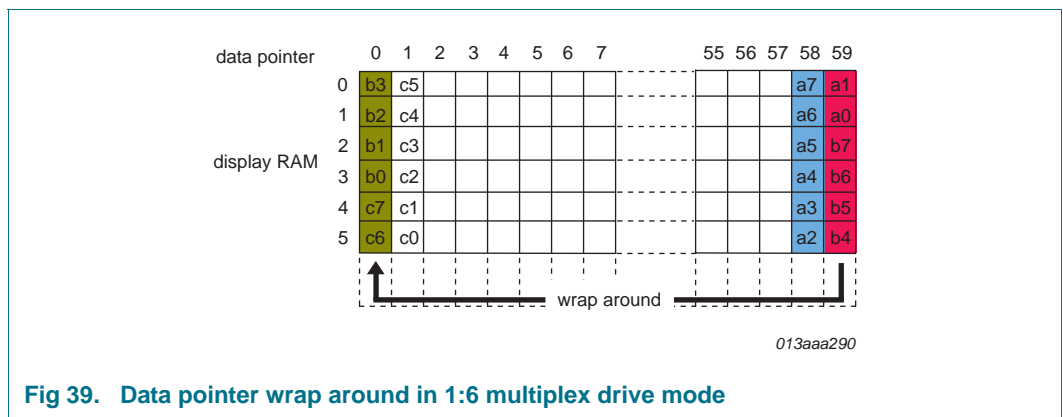


Fig 39. Data pointer wrap around in 1:6 multiplex drive mode

8.9.1.5 RAM filling in 1:8 multiplex drive mode

In the 1:8 multiplex drive mode the eight transmitted data bits are placed into eight rows of one display RAM column (see Figure 40).

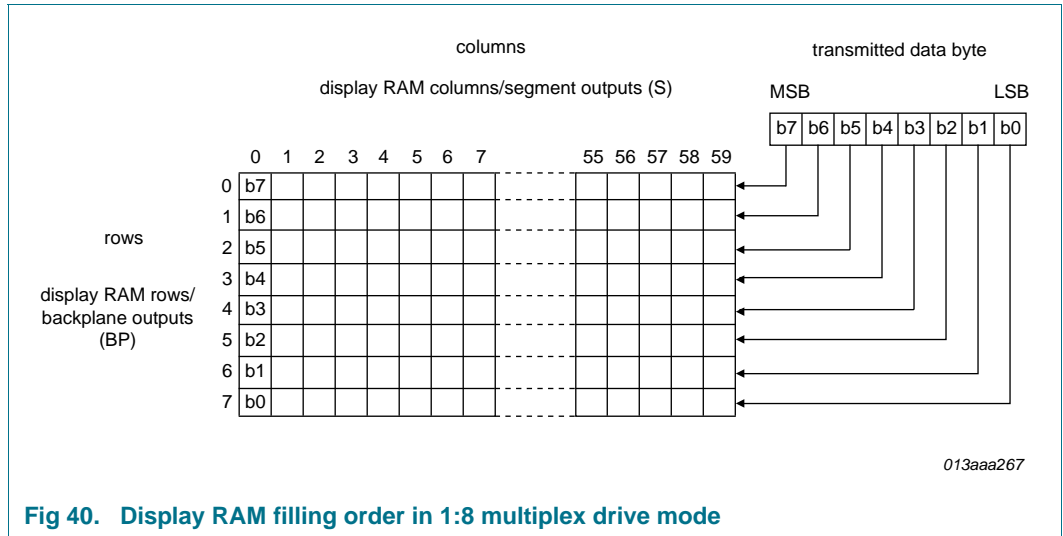


Fig 40. Display RAM filling order in 1:8 multiplex drive mode

In order to fill the whole RAM addresses 60 bytes need to be sent to the PCA9620. After the last byte sent, the data pointer is wrapped around to column 0 to start a possible RAM content update (see Figure 41). In this case, there is no situation possible where a transmitted data byte can be written over the RAM boundary.

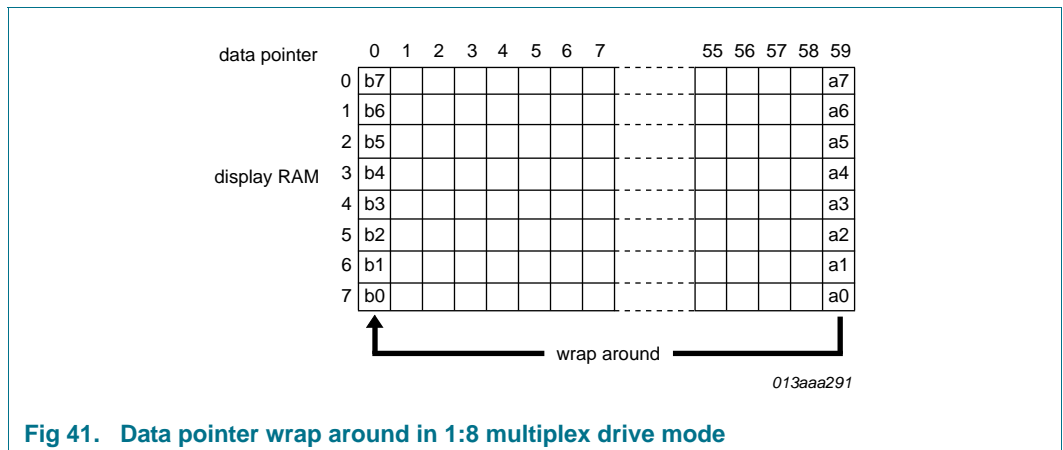


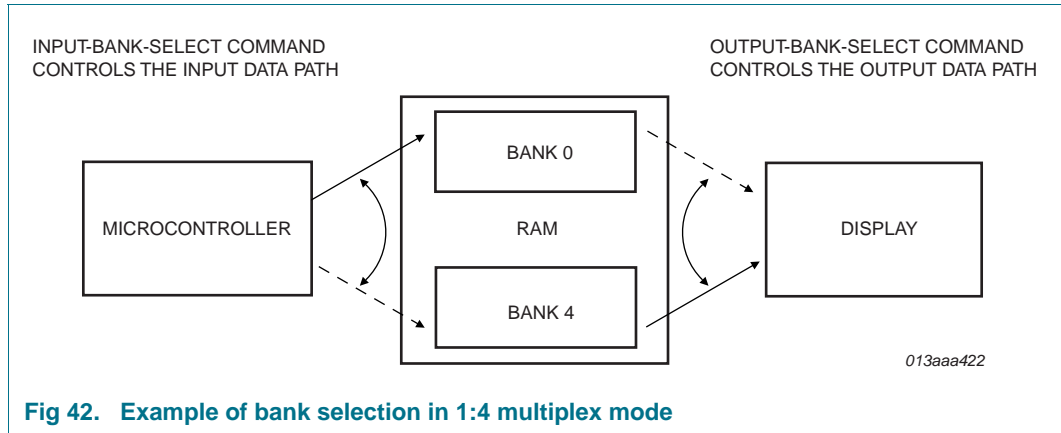
Fig 41. Data pointer wrap around in 1:8 multiplex drive mode

### 8.9.2 Bank selection

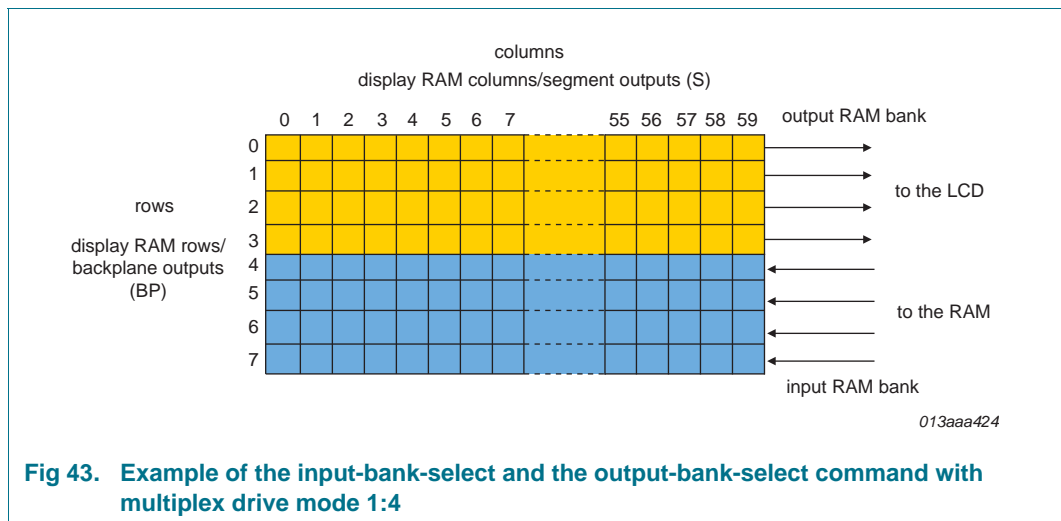
A RAM bank can be thought of as a collection of RAM rows. The PCA9620 includes a RAM bank switching feature in the static, 1:2, and 1:4 multiplex drive modes.

The RAM bank switching gives the provision for preparing display information in an alternative bank and to be able to switch to it once it is complete. Input and output banks can be set independently from one another with the input-bank-select and the output-bank-select commands; Figure 42 shows the concept.





In [Figure 42](#) an example is shown for 1:4 multiplex drive mode. The displayed data is read from the first four rows of the memory (bank 0), while the transmitted data is stored in the second four rows of the memory (bank 4) which is currently not accessed for the reading. Therefore different content can be loaded into the first and second four RAM rows which will be immediately displayed on the LCD by switching it with the output-bank-select command (see [Figure 43](#)).



**8.9.2.1 Input-bank-select**

The input-bank-select command (see [Table 18 on page 12](#)) loads display data into the display RAM in accordance with the selected LCD drive configuration.

- In static drive mode, an individual content can be stored in each RAM bank (bank 0 to bank 7 which corresponds to row 0 to row 7).
- In 1:2 multiplex drive mode, individual content for RAM bank 0 (row 0 and row 1), RAM bank 2 (row 2 and row 3), RAM bank 4 (row 4 and 5) and RAM bank 6 (row 6 and row 7) can be stored.
- In 1:4 multiplex drive mode individual content can be stored in RAM bank 0 (row 0 to row 3) and RAM bank 4 (row 4 to row 7).

The input-bank-select command works independently to the output-bank-select.

### 8.9.2.2 Output-bank-select

The output-bank-select command (see [Table 19 on page 12](#)) selects the display RAM transferring it to the display register in accordance with the selected LCD drive configuration.

- In the static drive mode, it is possible to request the content of RAM bank 1 (row 1) to RAM bank 7 (row 7) for display instead of the default RAM bank 0 (row 0).
- In 1:2 multiplex drive mode, the content of RAM bank 2 (row 2 and row 3) or of RAM bank 4 (row 4 and row 5) or of RAM bank 6 (row 6 and row 7) may be selected instead of the default RAM bank 0 (row 0 and row 1).
- In 1:4 multiplex drive mode, the content of RAM bank 4 (row 4, 5, 6, and 7) may be selected instead of RAM bank 0 (row 0, 1, 2, and 3).

The output-bank-select command works independently to the input-bank-select.

## 9. I<sup>2</sup>C-bus interface characteristics

The I<sup>2</sup>C-bus is for bidirectional, two-line communication between different ICs or modules. The two lines are a Serial DATA line (SDA) and a Serial CLOCK line (SCL). Both lines must be connected to a positive supply via a pull-up resistor when connected to the output stages of a device. Data transfer may be initiated only when the bus is not busy.

### 9.1 Bit transfer

One data bit is transferred during each clock pulse. The data on the SDA line must remain stable during the HIGH period of the clock pulse as changes in the data line at this time will be interpreted as a control signal (see [Figure 44](#)).

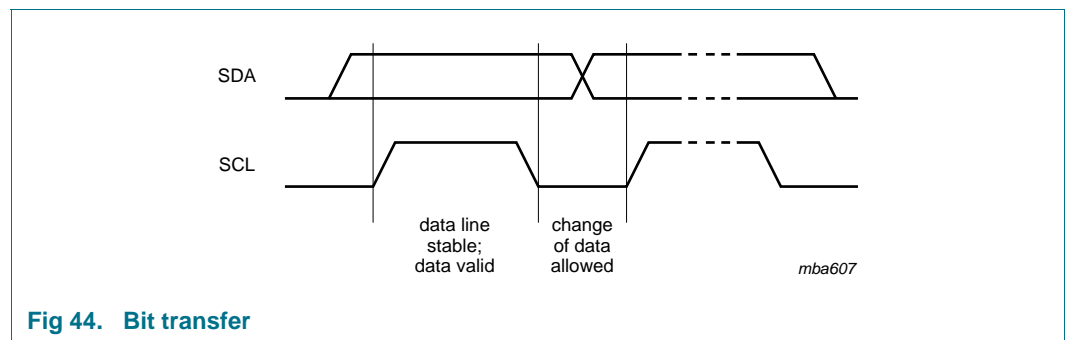


Fig 44. Bit transfer

### 9.2 START and STOP conditions

Both data and clock lines remain HIGH when the bus is not busy.

A HIGH-to-LOW change of the data line, while the clock is HIGH is defined as the START condition (S).

A LOW-to-HIGH change of the data line while the clock is HIGH is defined as the STOP condition (P).

The START and STOP conditions are shown in [Figure 45](#).

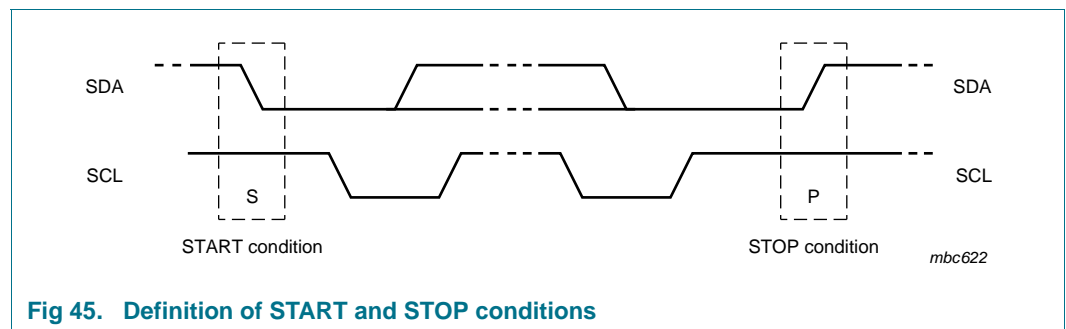


Fig 45. Definition of START and STOP conditions

### 9.3 System configuration

A device generating a message is a transmitter; a device receiving a message is the receiver. The device that controls the message is the master; and the devices which are controlled by the master are the slaves. The system configuration is shown in [Figure 46](#).

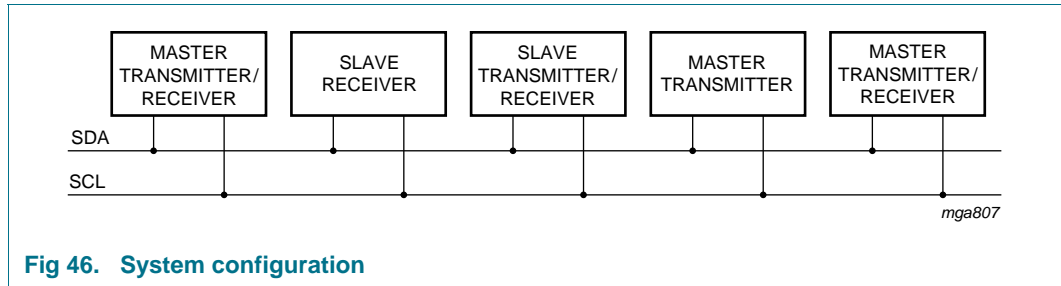


Fig 46. System configuration

### 9.4 Acknowledge

The number of data bytes transferred between the START and STOP conditions from transmitter to receiver is unlimited. Each byte of eight bits is followed by an acknowledge cycle.

- A slave receiver which is addressed must generate an acknowledge after the reception of each byte.
- Also a master receiver must generate an acknowledge after the reception of each byte that has been clocked out of the slave transmitter.
- The device that acknowledges must pull-down the SDA line during the acknowledge clock pulse, so that the SDA line is stable LOW during the HIGH period of the acknowledge related clock pulse (set-up and hold times must be taken into consideration).
- A master receiver must signal an end of data to the transmitter by not generating an acknowledge on the last byte that has been clocked out of the slave. In this event, the transmitter must leave the data line HIGH to enable the master to generate a STOP condition.

Acknowledgement on the I<sup>2</sup>C-bus is shown in [Figure 47](#).

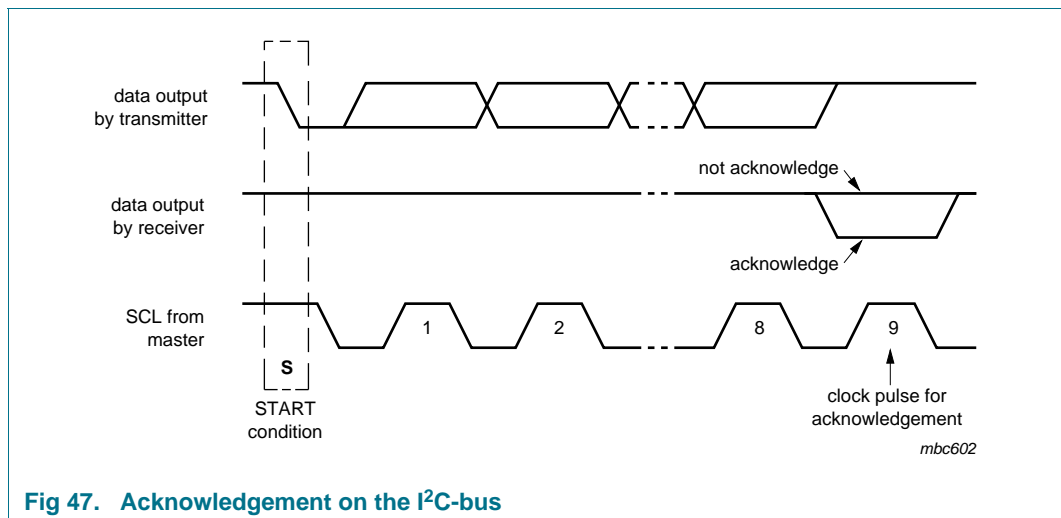


Fig 47. Acknowledgement on the I<sup>2</sup>C-bus

9.5 I<sup>2</sup>C-bus controller

The PCA9620 acts as an I<sup>2</sup>C-bus slave receiver. It does not initiate I<sup>2</sup>C-bus transfers or transmit data to an I<sup>2</sup>C-bus master receiver. The only data output from PCA9620 are the acknowledge signals and the temperature readout byte of the selected device.

9.6 Input filters

To enhance noise immunity in electrically adverse environments, RC low-pass filters are provided on the SDA and SCL lines.

9.7 I<sup>2</sup>C-bus slave address

Device selection depends on the I<sup>2</sup>C-bus slave address.

Four different I<sup>2</sup>C-bus slave addresses can be used to address the PCA9620 (see [Table 32](#)).

Table 32. I<sup>2</sup>C slave address

Bit	Slave address							0 LSB
	7 MSB	6	5	4	3	2	1	
slave address	0	1	1	1	0	A1	A0	R/W

The least significant bit of the slave address byte is bit R/W. Bit 1 and bit 2 of the slave address are defined by connecting the inputs A0 and A1 to either V<sub>SS</sub> (logic 0) or V<sub>DD</sub> (logic 1). Therefore, four instances of PCA9620 can be distinguished on the same I<sup>2</sup>C-bus.

9.8 I<sup>2</sup>C-bus protocol

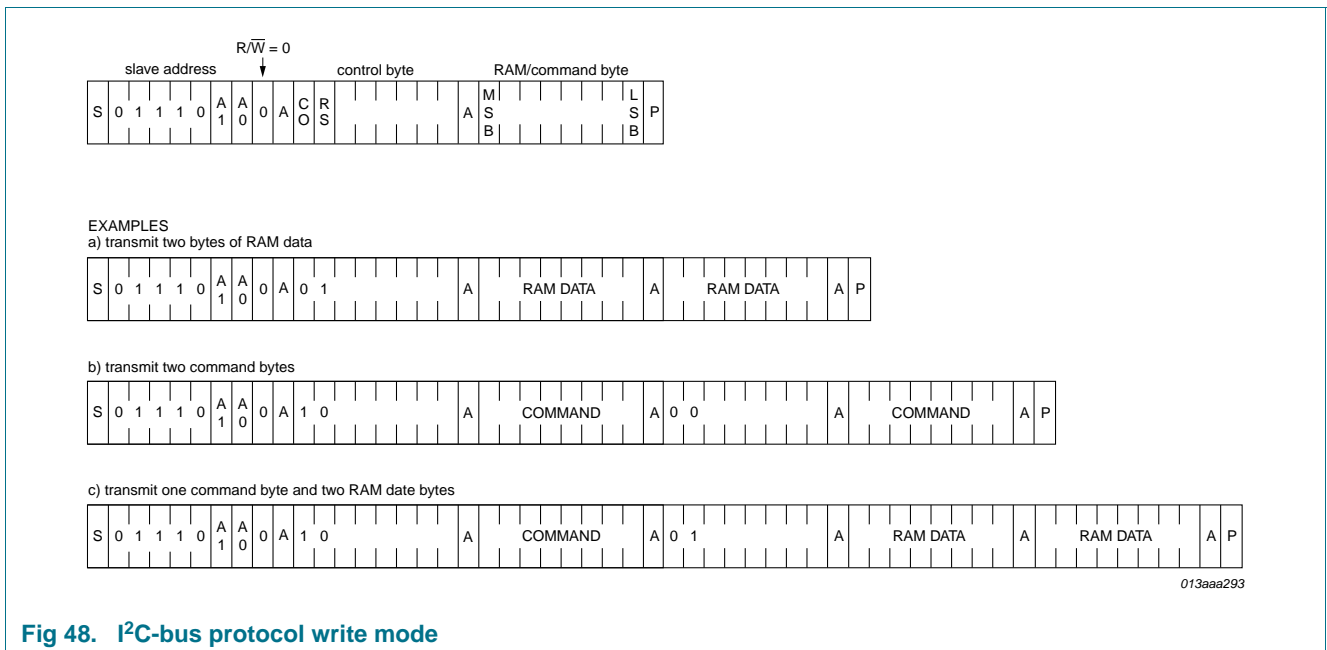


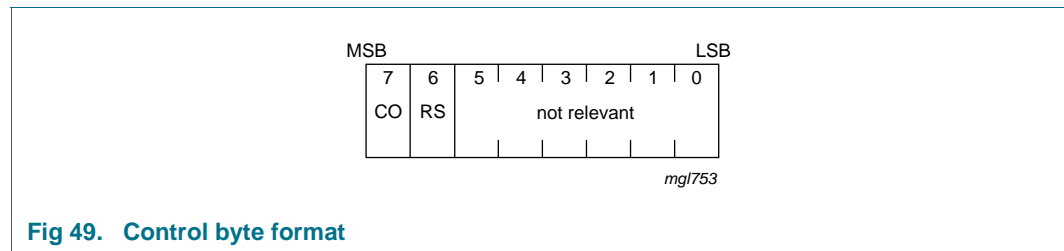
Fig 48. I<sup>2</sup>C-bus protocol write mode

The I<sup>2</sup>C-bus protocol is shown in [Figure 48](#). The sequence is initiated with a START condition (S) from the I<sup>2</sup>C-bus master which is followed by one of the four PCA9620 slave addresses available. All PCA9620's with the corresponding A1 and A0 level acknowledge in parallel to the slave address, but all PCA9620 with the alternative A1 and A0 levels ignore the whole I<sup>2</sup>C-bus transfer.

After acknowledgement, a control byte follows which defines if the next byte is RAM or command information. The control byte also defines if the next byte is a control byte or further RAM or command data.

**Table 33. Control byte description**

Bit	Symbol	Value	Description
7	CO		<b>continue bit</b>
		0	last control byte
		1	control bytes continue
6	RS		<b>register selection</b>
		0	command register
		1	data register
5 to 0	-	-	not relevant



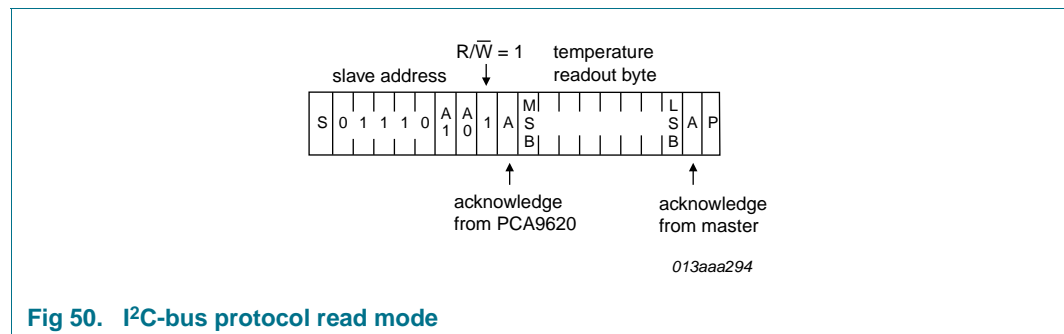
**Fig 49. Control byte format**

In this way it is possible to configure the device and then fill the display RAM with little overhead.

The display bytes are stored in the display RAM at the address specified by the data pointer.

The acknowledgement after each byte is made only by the (A0 and A1) addressed PCA9620. After the last display byte, the I<sup>2</sup>C-bus master issues a STOP condition (P). Alternatively a START may be issued to RESTART an I<sup>2</sup>C-bus access.

If a temperature readout (byte TD[7:0]) is made the R/W bit must be logic 1 and then the next data byte following is provided by the PCA9620 as shown in [Figure 50](#).



**Fig 50. I<sup>2</sup>C-bus protocol read mode**

10. Internal circuitry

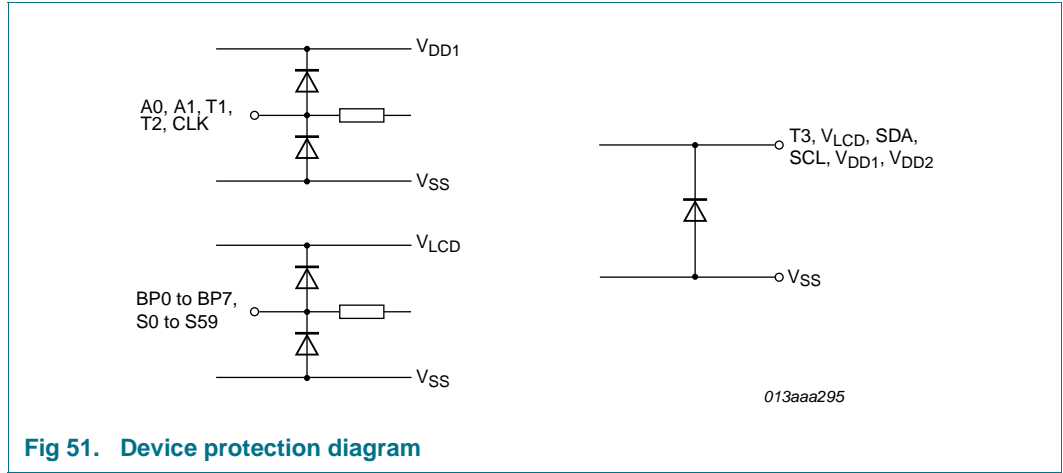


Fig 51. Device protection diagram

## 11. Limiting values

### CAUTION



Static voltages across the liquid crystal display can build up when the LCD supply voltage ( $V_{LCD}$ ) is on while the IC supply voltage ( $V_{DD}$ ) is off, or vice versa. This may cause unwanted display artifacts. To avoid such artifacts,  $V_{LCD}$  and  $V_{DD}$  must be applied or removed together.

**Table 34. Limiting values**

*In accordance with the Absolute Maximum Rating System (IEC 60134).*

Symbol	Parameter	Conditions	Min	Max	Unit
$V_{DD1}$	supply voltage 1	analog and digital	-0.5	+6.5	V
$V_{DD2}$	supply voltage 2	charge pump	-0.5	+6.5	V
$I_{DD1}$	supply current 1	analog and digital	-50	+50	mA
$I_{DD2}$	supply current 2	charge pump	-50	+50	mA
$V_{LCD}$	LCD supply voltage		-0.5	+10	V
$I_{DD(LCD)}$	LCD supply current		-50	+50	mA
$V_i$	input voltage	on pins CLK, SDA, SCL, A0, A1, T1, T2, T3	-0.5	+6.5	V
$I_i$	input current		-10	+10	mA
$V_O$	output voltage	on pins S0 to S59, BP0 to BP7	-0.5	+10	V
		on pins SDA, CLK	-0.5	+6.5	V
$I_O$	output current		-10	+10	mA
$I_{SS}$	ground supply current		-50	+50	mA
$P_{tot}$	total power dissipation		-	400	mW
$P/out$	power dissipation per output		-	100	mW
$V_{ESD}$	electrostatic discharge voltage	HBM	[1] -	±4000	V
		CDM	[2] -	±1500	V
$I_{lu}$	latch-up current		[3] -	100	mA
$T_{stg}$	storage temperature		[4] -65	+150	°C
$T_{amb}$	ambient temperature	operating device	-40	+105	°C

[1] Pass level; Human Body Model (HBM), according to [Ref. 7 "JESD22-A114"](#).

[2] Pass level; Charged-Device Model (CDM), according to [Ref. 8 "JESD22-C101"](#).

[3] Pass level; latch-up testing according to [Ref. 9 "JESD78"](#) at maximum ambient temperature ( $T_{amb(max)}$ ).

[4] According to the NXP store and transport requirements (see [Ref. 11 "NX3-00092"](#)) the devices have to be stored at a temperature of +8 °C to +45 °C and a humidity of 25 % to 75 %. For long-term storage products divergent conditions are described in that document.



## 12. Static characteristics

**Table 35. Static characteristics**

$V_{DD1} = 2.5\text{ V to }5.5\text{ V}$ ;  $V_{DD2} = 2.5\text{ V to }5.5\text{ V}$ ;  $V_{SS} = 0\text{ V}$ ;  $V_{LCD} = 2.5\text{ V to }9.0\text{ V}$ ;  $T_{amb} = -40\text{ }^{\circ}\text{C to }+105\text{ }^{\circ}\text{C}$ ; unless otherwise specified.

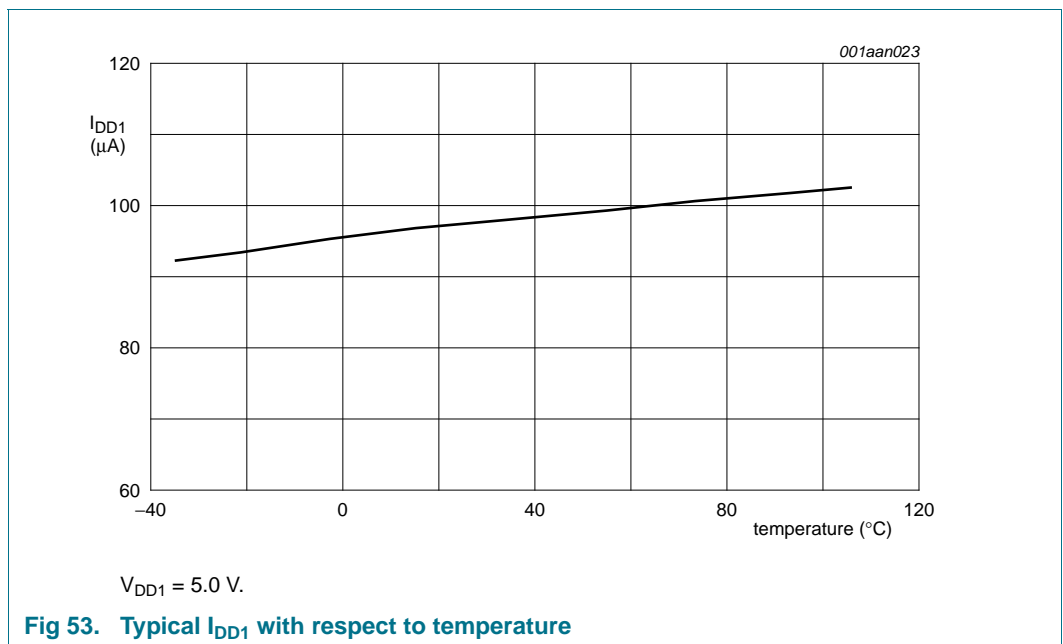
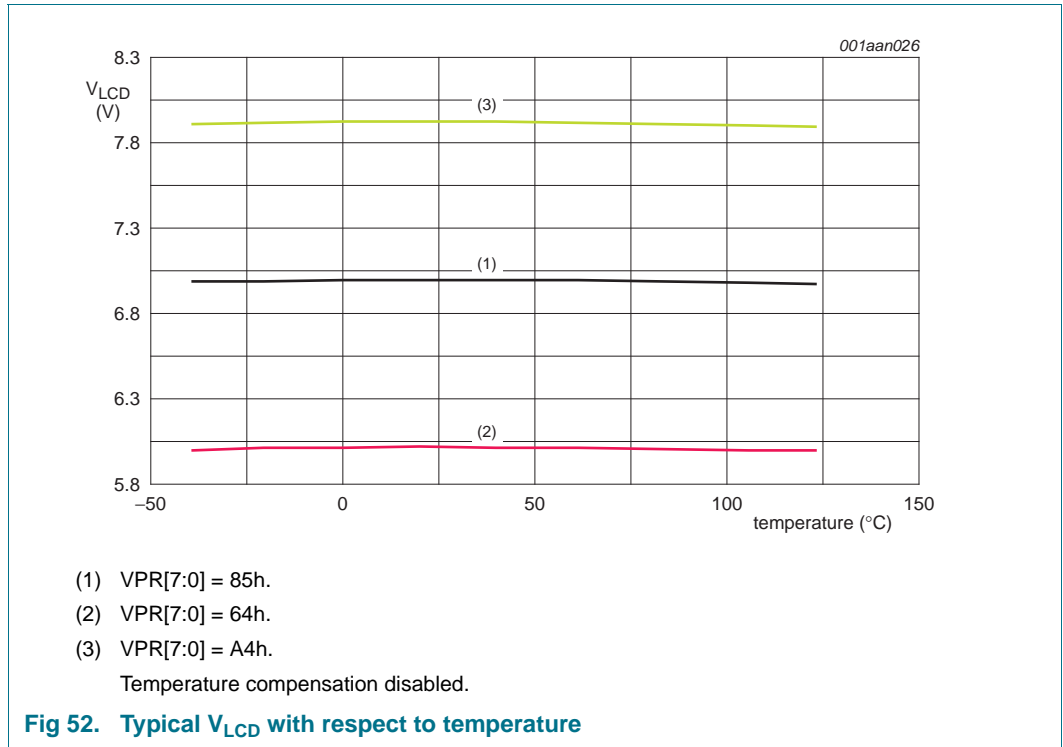
Symbol	Parameter	Conditions	Min	Typ	Max	Unit
<b>Supplies</b>						
$V_{DD1}$	supply voltage 1		2.5	-	5.5	V
$V_{DD2}$	supply voltage 2	$V_{DD2} \geq V_{DD1}$	2.5	-	5.5	V
$V_{LCD}$	LCD supply voltage	$V_{LCD} \geq V_{DD2}$	[1] 2.5	-	9.0	V
$\Delta V_{LCD}$	LCD voltage variation	$V_{DD1} = V_{DD2} = 5.0\text{ V}$ ; $V_{LCD} = 5.0\text{ V to }9.0\text{ V}$	[2]			
		$T_{amb} = -40\text{ }^{\circ}\text{C to }-10\text{ }^{\circ}\text{C}$	-130	-	+130	mV
		$T_{amb} = -10\text{ }^{\circ}\text{C to }+70\text{ }^{\circ}\text{C}$	-70	-	+70	mV
		$T_{amb} = +70\text{ }^{\circ}\text{C to }+105\text{ }^{\circ}\text{C}$	-100	-	+100	mV
		$V_{DD1} = V_{DD2} = 3.0\text{ V}$ ; $V_{LCD} = 3.0\text{ V to }8.5\text{ V}$				
		$T_{amb} = -40\text{ }^{\circ}\text{C to }+105\text{ }^{\circ}\text{C}$	-130	-	+130	mV
$I_{DD(pd)}$	power-down mode supply current	on pin $V_{DD1}$	[3][4] -	1.0	3.0	$\mu\text{A}$
$I_{DD1}$	supply current 1		[4][5] -	100	200	$\mu\text{A}$
$I_{DD2}$	supply current 2	$f_{osc} = 9.6\text{ kHz}$				
		charge pump off; external $V_{LCD}$	[4][5] -	0.5	3.0	$\mu\text{A}$
		charge pump on; internal $V_{LCD}$	[4][6] -	250	550	$\mu\text{A}$
$I_{DD(LCD)}$	LCD supply current	external $V_{LCD}$	[4][7] -	125	250	$\mu\text{A}$
$I_{LCD(pd)}$	power-down LCD current	external $V_{LCD}$	[3][4] -	12	35	$\mu\text{A}$
$R_O$	output resistance	of charge pump (driving capabilities)				
		charge pump set to $2 \times V_{DD2}$ ; $I_{load} = 3\text{ mA}$ (on pin $V_{LCD}$ )	[8] 0.2	0.85	1.6	$\text{k}\Omega$
		charge pump set to $3 \times V_{DD2}$ ; $I_{load} = 2\text{ mA}$ (on pin $V_{LCD}$ )	[9] 2.0	3.2	4.5	$\text{k}\Omega$
$T_{acc}$	temperature accuracy	readout temperature error; $V_{DD1} = 5.0\text{ V}$				
		$T_{amb} = -40\text{ }^{\circ}\text{C to }+105\text{ }^{\circ}\text{C}$	-6	-	+6	$^{\circ}\text{C}$
		$T_{amb} = 27\text{ }^{\circ}\text{C}$	-4	-	+4	$^{\circ}\text{C}$
<b>Logic</b>						
$V_I$	input voltage		$V_{SS} - 0.5$	-	$V_{DD} + 0.5$	V
$V_{IL}$	LOW-level input voltage	on pins CLK, A1, A0	-	-	$0.3V_{DD}$	V
$V_{IH}$	HIGH-level input voltage	on pins CLK, A1, A0	$0.7V_{DD}$	-	-	V
$V_O$	output voltage		-0.5	-	$V_{DD} + 0.5$	V
$V_{OH}$	HIGH-level output voltage	on pin CLK	$0.8V_{DD}$	-	-	V
$V_{OL}$	LOW-level output voltage	on pin CLK	-	-	$0.2V_{DD}$	V
$I_{OH}$	HIGH-level output current	output source current; $V_{OH} = 4.6\text{ V}$ ; $V_{DD} = 5\text{ V}$ ; on pin CLK	1	-	-	mA

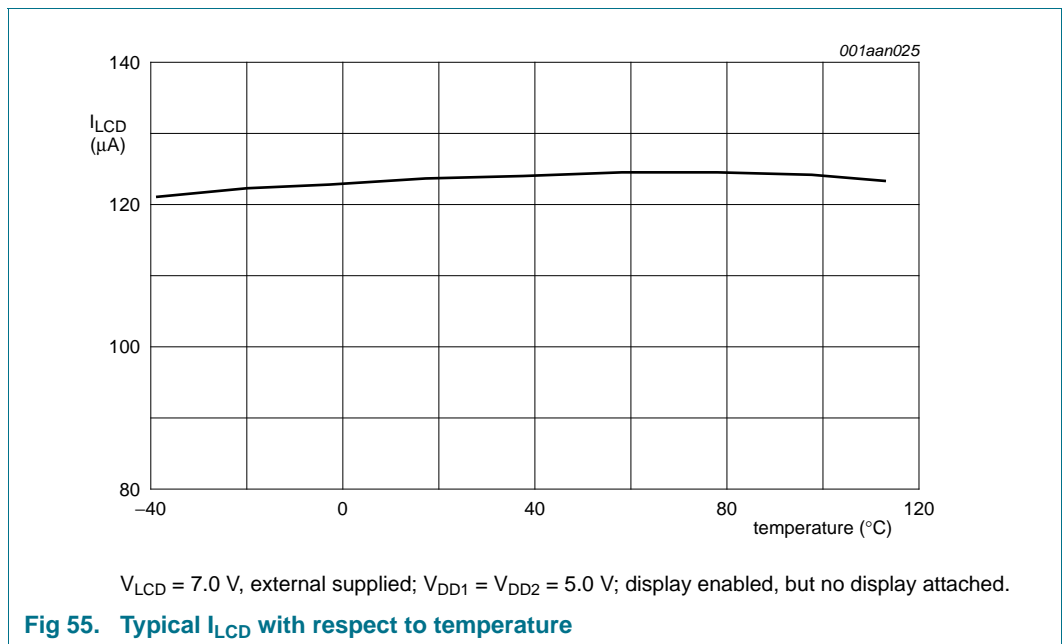
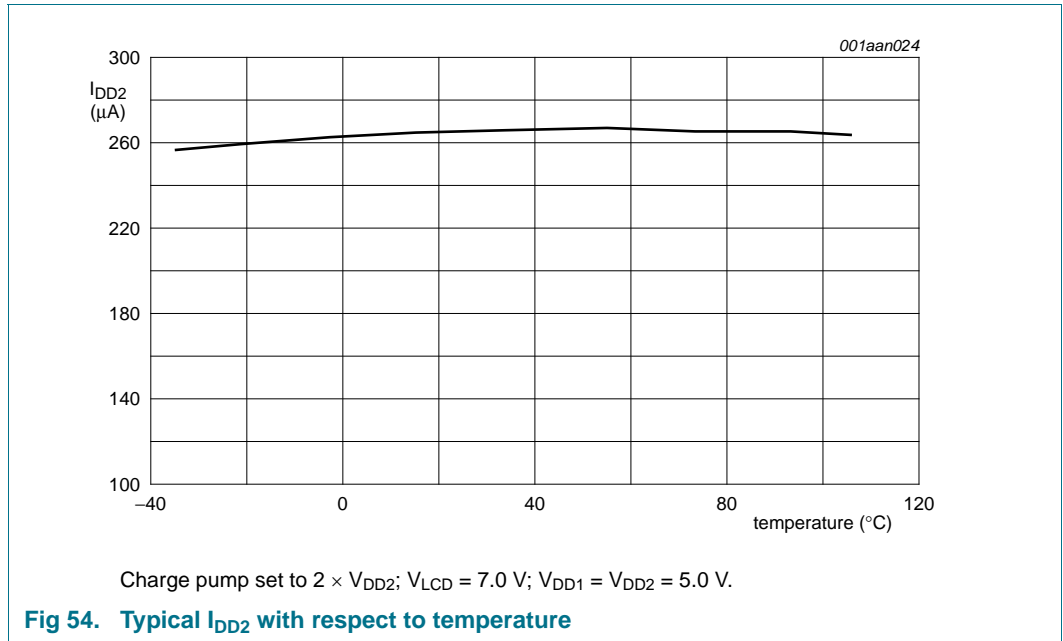
**Table 35. Static characteristics ...continued**

$V_{DD1} = 2.5\text{ V to }5.5\text{ V}$ ;  $V_{DD2} = 2.5\text{ V to }5.5\text{ V}$ ;  $V_{SS} = 0\text{ V}$ ;  $V_{LCD} = 2.5\text{ V to }9.0\text{ V}$ ;  $T_{amb} = -40\text{ }^{\circ}\text{C to }+105\text{ }^{\circ}\text{C}$ ; unless otherwise specified.

Symbol	Parameter	Conditions	Min	Typ	Max	Unit	
$I_{OL}$	LOW-level output current	output sink current; $V_{OL} = 0.4\text{ V}$ ; $V_{DD} = 5\text{ V}$ ; on pin CLK	1	-	-	mA	
$V_{POR}$	power-on reset voltage		[10]	-	1.6	V	
$I_L$	leakage current	$V_i = V_{DD}$ or $V_{SS}$ ; on pins CLK, A1, A0, T1, T2, T3	[11]	0	-	$\mu\text{A}$	
<b>I<sup>2</sup>C-bus; pins SDA and SCL</b>							
$V_i$	input voltage		$V_{SS} - 0.5$	-	5.5	V	
$V_{iL}$	LOW-level input voltage	pins SCL, SDA	-	-	$0.3V_{DD}$	V	
$V_{iH}$	HIGH-level input voltage	pins SCL, SDA	$0.7V_{DD}$	-	-	V	
$V_o$	output voltage	pins SCL, SDA	-0.5	-	5.5	V	
$I_{OL}$	LOW-level output current	$V_{OL} = 0.4\text{ V}$ ; $V_{DD} = 5\text{ V}$ ; on pin SDA	3	-	-	mA	
$I_L$	leakage current	$V_i = V_{DD}$ or $V_{SS}$	[11]	0	-	$\mu\text{A}$	
<b>LCD outputs</b>							
$\Delta V_o$	output voltage variation	on pins BP0 to BP7	[12]	-15	-	+15	mV
		on pins S0 to S59	[13]	-15	-	+15	mV
$R_o$	output resistance	$V_{LCD} = 7\text{ V}$ ; on pins BP0 to BP7	[14]	0.3	0.8	1.5	$\text{k}\Omega$
		$V_{LCD} = 7\text{ V}$ ; on pins S0 to S59	[14]	0.6	1.5	3	$\text{k}\Omega$

- [1] When supplying external  $V_{LCD}$  it must be  $V_{LCD} \geq V_{DD2}$ . Also when using the internal charge pump to generate a certain  $V_{LCD}$ , VPR[7:0] must be set to a value that the voltage is higher than  $V_{DD2}$  (see [Section 8.4.3 on page 33](#)).
- [2] Calibrated at testing stage with  $V_{DD1} = V_{DD2} = 5.0\text{ V}$ .  $V_{LCD}$  temperature compensation is disabled.
- [3] Display is disabled; I<sup>2</sup>C-bus inactive; temperature measurement disabled.
- [4] The typical value is defined at  $V_{DD1} = V_{DD2} = 5.0\text{ V}$ ,  $V_{LCD} = 7.0\text{ V}$  and  $30\text{ }^{\circ}\text{C}$ .
- [5] Temperature measurement enabled; 1:8 multiplex drive mode; 1/4 bias; display enabled; LCD outputs are open circuit; RAM is all written with logic 1; inputs at  $V_{SS}$  or  $V_{DD}$ ; internal clock with the default prescale factor; I<sup>2</sup>C-bus inactive.
- [6]  $V_{DD2} = 5.0\text{ V}$ ; charge pump set to  $2 \times V_{DD2}$ ; VPR[7:0] set for  $V_{LCD} = 7.0\text{ V}$ ; 1:8 multiplex drive mode; 1/4 bias; temperature measurement enabled; display enabled; LCD outputs are open circuit; RAM is all written with logic 1; inputs at  $V_{SS}$  or  $V_{DD}$ ; external clock with 50 % duty factor; I<sup>2</sup>C-bus inactive.
- [7] External supplied  $V_{LCD} = 7.0\text{ V}$ ; 1:8 multiplex drive mode; 1/4 bias; temperature measurement enabled; display enabled; LCD outputs are open circuit; RAM is all written with logic 1; inputs at  $V_{SS}$  or  $V_{DD}$ ; external clock with 50 % duty factor; I<sup>2</sup>C-bus inactive.
- [8]  $V_{DD2} = 5.0\text{ V}$ ; charge pump set to  $2 \times V_{DD2}$ ; VPR[7:0] set for  $V_{LCD} = 9.0\text{ V}$ ; display disabled; CPF (see [Table 22 on page 13](#)) set logic 0.
- [9]  $V_{DD2} = 4.0\text{ V}$ ; charge pump set to  $3 \times V_{DD2}$ ; VPR[7:0] set for  $V_{LCD} = 9.0\text{ V}$ ; display disabled; CPF (see [Table 22 on page 13](#)) set logic 0.
- [10] If  $V_{DD1} > V_{POR}$  then no reset occurs.
- [11] In case of an ESD event, the value may increase slightly.
- [12] Variation between any 2 backplanes on a given voltage level; static measured.
- [13] Variation between any 2 segments on a given voltage level; static measured.
- [14] Outputs measured one at a time.





### 13. Dynamic characteristics

**Table 36. Dynamic characteristics**

$V_{DD1} = 2.5\text{ V to }5.5\text{ V}$ ;  $V_{DD2} = 2.5\text{ V to }5.5\text{ V}$ ;  $V_{SS} = 0\text{ V}$ ;  $V_{LCD} = 2.5\text{ V to }9.0\text{ V}$ ;  $T_{amb} = -40\text{ °C to }+105\text{ °C}$ ; unless otherwise specified.

Symbol	Parameter	Conditions	Min	Typ	Max	Unit
$f_{osc}$	oscillator frequency	on pin CLK; see <a href="#">Table 17 on page 11</a>	[1][2] 8160	9600	11040	Hz
$f_{clk(ext)}$	external clock frequency		450	-	14500	Hz
$t_{clk(H)}$	HIGH-level clock time	external clock source used	33	-	-	$\mu\text{s}$
$t_{clk(L)}$	LOW-level clock time		33	-	-	$\mu\text{s}$
<b>Timing characteristics: I<sup>2</sup>C-bus[3]</b>						
$f_{SCL}$	SCL frequency		-	-	400	kHz
$t_{BUF}$	bus free time between a STOP and START condition		1.3	-	-	$\mu\text{s}$
$t_{HD;STA}$	hold time (repeated) START condition		0.6	-	-	$\mu\text{s}$
$t_{SU;STA}$	set-up time for a repeated START condition		0.6	-	-	$\mu\text{s}$
$t_{VD;DAT}$	data valid time		[4] -	-	0.9	$\mu\text{s}$
$t_{VD;ACK}$	data valid acknowledge time		[5] -	-	0.9	$\mu\text{s}$
$t_{LOW}$	LOW period of the SCL clock		1.3	-	-	$\mu\text{s}$
$t_{HIGH}$	HIGH period of the SCL clock		0.6	-	-	$\mu\text{s}$
$t_f$	fall time	of both SDA and SCL signals	-	-	0.3	$\mu\text{s}$
$t_r$	rise time	of both SDA and SCL signals	-	-	0.3	$\mu\text{s}$
$C_b$	capacitive load for each bus line		-	-	400	pF
$t_{SU;DAT}$	data set-up time		100	-	-	ns
$t_{HD;DAT}$	data hold time		0	-	-	ns
$t_{SU;STO}$	set-up time for STOP condition		0.6	-	-	$\mu\text{s}$
$t_{w(spikes)}$	spike pulse width		-	-	50	ns

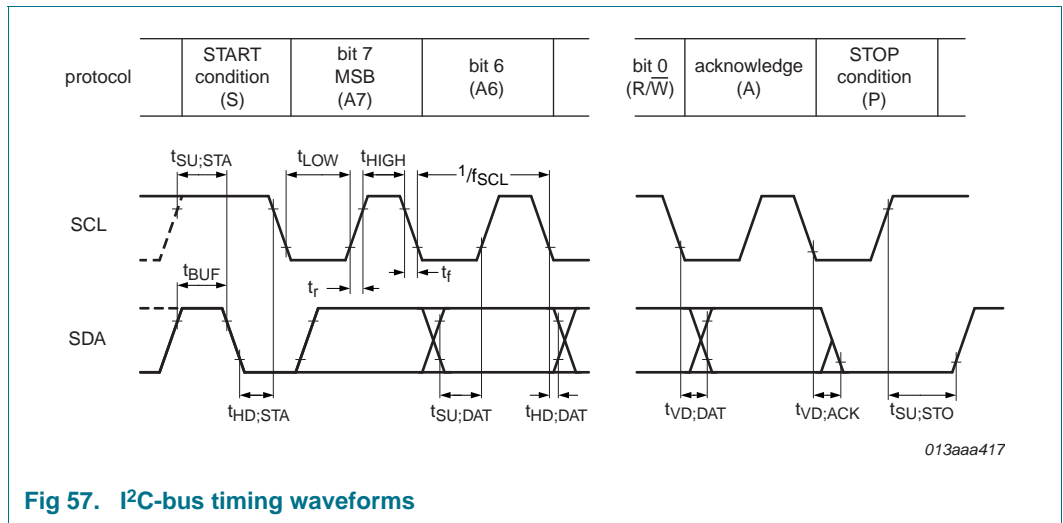
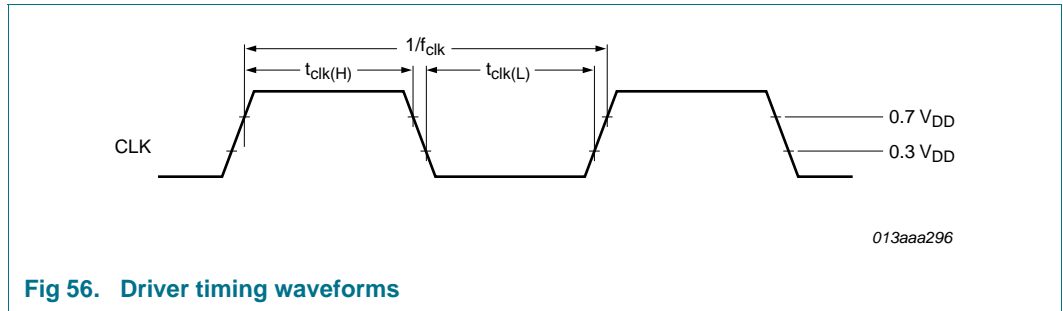
[1] Internal calibration made with OTP so that the maximum variation is  $\pm 15\%$  over whole temperature and voltage range. The typical  $f_{osc}$  generates a typical frame frequency of 200 Hz when the default frequency division factor is used (see [Section 8.5.3 on page 41](#)).

[2] The typical value is defined at  $V_{DD1} = V_{DD2} = 5.0\text{ V}$  and  $30\text{ °C}$ .

[3] All timing values are valid within the operating supply voltage and ambient temperature range and are referenced to  $V_{IL}$  and  $V_{IH}$  with an input voltage swing of  $V_{SS}$  to  $V_{DD}$ .

[4]  $t_{VD;DAT}$  = minimum time for valid SDA output following SCL LOW.

[5]  $t_{VD;ACK}$  = time for acknowledgement signal from SCL LOW to SDA output LOW.



## 14. Test information

### 14.1 Quality information

This product has been qualified in accordance with the Automotive Electronics Council (AEC) standard Q100 - *Failure mechanism based stress test qualification for integrated circuits*, and is suitable for use in automotive applications.

### 15. Package outline

LQFP80: plastic low profile quad flat package; 80 leads; body 12 x 12 x 1.4 mm

SOT315-1

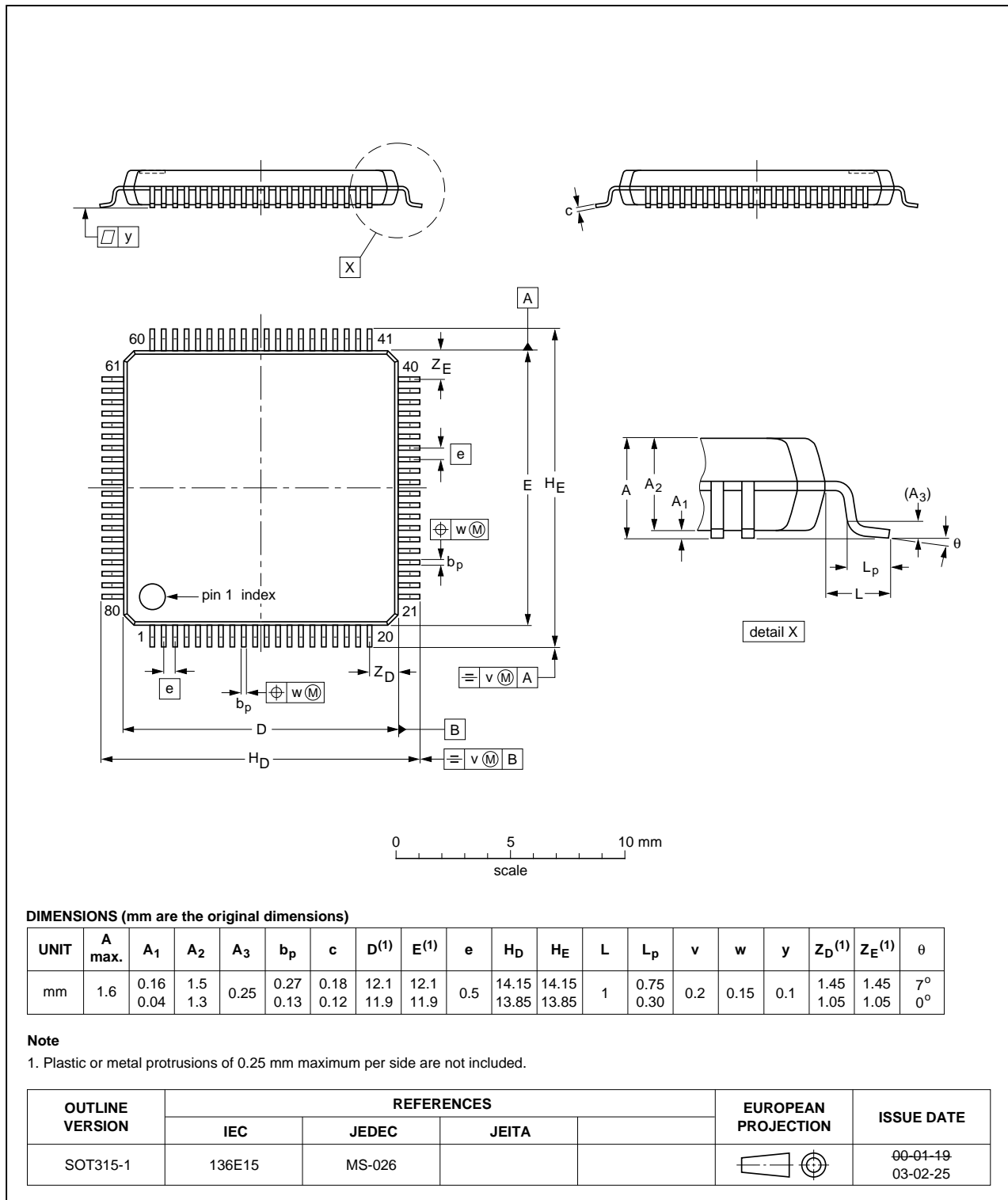


Fig 58. Package outline SOT315-1 (LQFP80)

16. Bare die outline

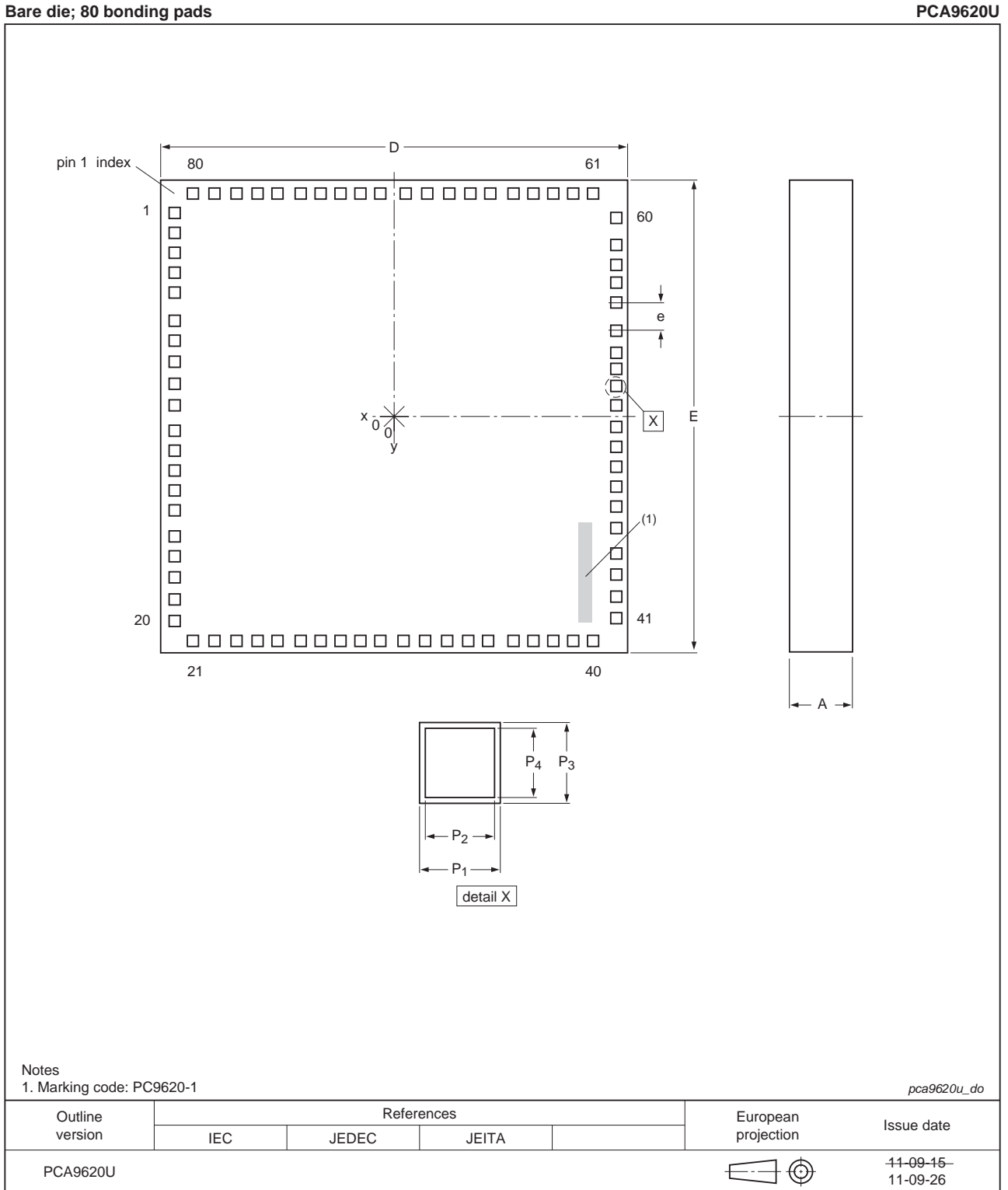


Fig 59. Bare die outline of PCA9620



**Table 37. Dimensions of PCA9620**

Original dimensions are in mm.

Unit (mm)	A	D <sup>[1]</sup>	E <sup>[1]</sup>	e <sup>[2]</sup>	P <sub>1</sub> <sup>[3]</sup>	P <sub>2</sub> <sup>[4]</sup>	P <sub>3</sub> <sup>[3]</sup>	P <sub>4</sub> <sup>[4]</sup>
max	-	-	-	0.203	-	-	-	-
nom	0.38	3.166	3.166	-	0.065	0.056	0.065	0.056
min	-	-	-	0.075	-	-	-	-

[1] Dimension includes saw lane (70 μm).

[2] See [Table 38](#).

[3] P<sub>1</sub> and P<sub>3</sub>: pad size.

[4] P<sub>2</sub> and P<sub>4</sub>: passivation opening.

**Table 38. Bonding pad description of PCA9620**

All x/y coordinates represent the position of the center of each pad with respect to the center (x/y = 0) of the chip; see [Figure 59](#).

Symbol	Pad	Location		Pitch		Description
		X(μm)	Y(μm)	X(μm)	Y(μm)	
S20	1	-1497.3	1208.7	-	-	LCD segment output
S21	2	-1497.3	1086.3	0	122.4	
S22	3	-1497.3	963.9	0	122.4	
S23	4	-1497.3	841.5	0	122.4	
S24	5	-1497.3	719.1	0	122.4	
S25	6	-1497.3	568.8	0	150.3	
S26	7	-1497.3	446.4	0	122.4	
S27	8	-1497.3	324.0	0	122.4	
S28	9	-1497.3	201.6	0	122.4	
S29	10	-1497.3	79.2	0	150.3	
S30	11	-1497.3	-71.1	0	122.4	
S31	12	-1497.3	-193.5	0	122.4	
S32	13	-1497.3	-315.9	0	122.4	
S33	14	-1497.3	-438.3	0	122.4	
S34	15	-1497.3	-560.7	0	122.4	
S35	16	-1497.3	-711.0	0	122.4	
S36	17	-1497.3	-833.4	0	122.4	
S37	18	-1497.3	-955.8	0	122.4	
S38	19	-1497.3	-1078.2	0	122.4	
S39	20	-1497.3	-1200.6	0	122.4	
S40	21	-1204.2	-1497.3	-	-	
S41	22	-1081.8	-1497.3	122.4	0	
S42	23	-959.4	-1497.3	122.4	0	
S43	24	-837.0	-1497.3	122.4	0	
S44	25	-714.6	-1497.3	122.4	0	
S45	26	-564.3	-1497.3	150.3	0	
S46	27	-441.9	-1497.3	122.4	0	

**Table 38. Bonding pad description of PCA9620 ...continued**

All x/y coordinates represent the position of the center of each pad with respect to the center (x/y = 0) of the chip; see Figure 59.

Symbol	Pad	Location		Pitch		Description
		X(μm)	Y(μm)	X(μm)	Y(μm)	
S47	28	-319.5	-1497.3	122.4	0	LCD segment output
S48	29	-197.1	-1497.3	122.4	0	
S49	30	-74.7	-1497.3	122.4	0	
S50	31	75.6	-1497.3	150.3	0	
S51	32	198.0	-1497.3	122.4	0	
S52	33	320.4	-1497.3	122.4	0	
S53	34	442.8	-1497.3	122.4	0	
S54	35	565.2	-1497.3	122.4	0	
S55	36	715.5	-1497.3	150.3	0	
S56	37	837.9	-1497.3	122.4	0	
S57	38	960.3	-1497.3	122.4	0	
S58	39	1082.7	-1497.3	122.4	0	
S59	40	1205.1	-1497.3	122.4	0	
BP0	41	1497.3	-1201.5	-	-	LCD backplane output
BP1	42	1497.3	-1077.3	0	124.2	
BP2	43	1497.3	-953.1	0	124.2	
BP3	44	1497.3	-828.9	0	124.2	
BP4	45	1497.3	-676.8	0	152.1	
BP5	46	1497.3	-552.6	0	124.2	
BP6	47	1497.3	-428.4	0	124.2	
BP7	48	1497.3	-304.2	0	124.2	
V <sub>LCD</sub>	49	1497.3	-171.9	0	132.3	LCD supply voltage
V <sub>DD2</sub>	50	1497.3	-47.7	0	124.2	supply voltage 2 (charge pump)
V <sub>DD1</sub>	51	1497.3	76.5	0	124.2	supply voltage 1 (analog and digital)
V <sub>SS</sub>	52	1497.3	166.5	0	90	ground supply voltage
T1	53	1497.3	241.2	0	74.7	test pin
T2	54	1497.3	315.9	0	74.7	
T3	55	1497.3	430.2	0	114.3	
CLK	56	1497.3	620.1	0	189.9	internal oscillator output, external oscillator input
A0	57	1497.3	729.9	0	109.8	I <sup>2</sup> C-bus slave address selection bit
A1	58	1497.3	806.4	0	76.5	
SCL	59	1497.3	913.5	0	107.1	I <sup>2</sup> C-bus serial clock
SDA	60	1497.3	1116.9	0	203.4	I <sup>2</sup> C-bus serial data
S0	61	1205.1	1497.3	-	-	LCD segment output
S1	62	1082.7	1497.3	122.4	0	
S2	63	960.3	1497.3	122.4	0	
S3	64	837.9	1497.3	122.4	0	
S4	65	715.5	1497.3	122.4	0	

**Table 38. Bonding pad description of PCA9620 ...continued**

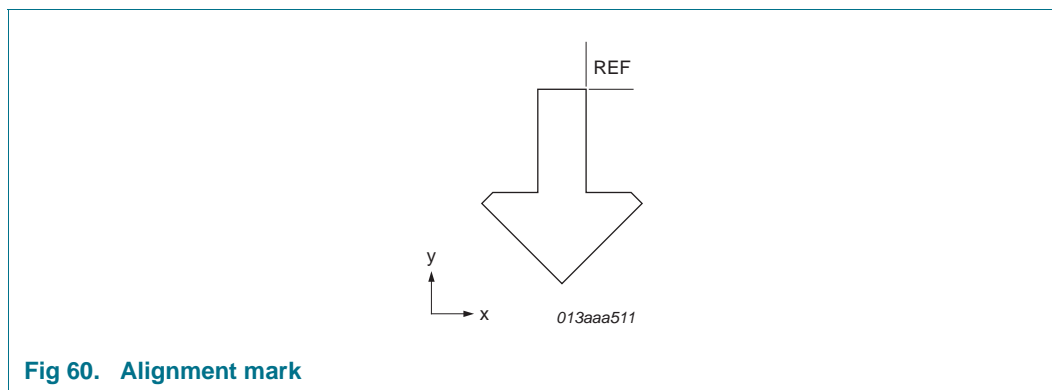
All x/y coordinates represent the position of the center of each pad with respect to the center (x/y = 0) of the chip; see [Figure 59](#).

Symbol	Pad	Location		Pitch		Description
		X(μm)	Y(μm)	X(μm)	Y(μm)	
S5	66	565.2	1497.3	150.3	0	LCD segment output
S6	67	442.8	1497.3	122.4	0	
S7	68	320.4	1497.3	122.4	0	
S8	69	198.0	1497.3	122.4	0	
S9	70	75.6	1497.3	122.4	0	
S10	71	-74.7	1497.3	150.3	0	
S11	72	-197.1	1497.3	122.4	0	
S12	73	-319.5	1497.3	122.4	0	
S13	74	-441.9	1497.3	122.4	0	
S14	75	-564.3	1497.3	122.4	0	
S15	76	-714.6	1497.3	150.3	0	
S16	77	-837.0	1497.3	122.4	0	
S17	78	-959.4	1497.3	122.4	0	
S18	79	-1081.8	1497.3	122.4	0	
S19	80	-1204.2	1497.3	122.4	0	

**Table 39. Alignment mark dimension and location of all PCA9620 types**

Coordinates	
X (μm)	Y (μm)
<b>Location<sup>[1]</sup></b>	
1495.8	1395.0
<b>Dimension<sup>[2]</sup></b>	
52.5	63.72

- [1] The x/y coordinates of the alignment mark location represent the position of the REF point (see [Figure 60](#)) with respect to the center (x/y = 0) of the chip; see [Figure 59](#).
- [2] The x/y values of the dimensions represent the extensions of the alignment mark in direction of the coordinate axis (see [Figure 60](#)).



**Fig 60. Alignment mark**

## 17. Packing information

### 17.1 Wafer information

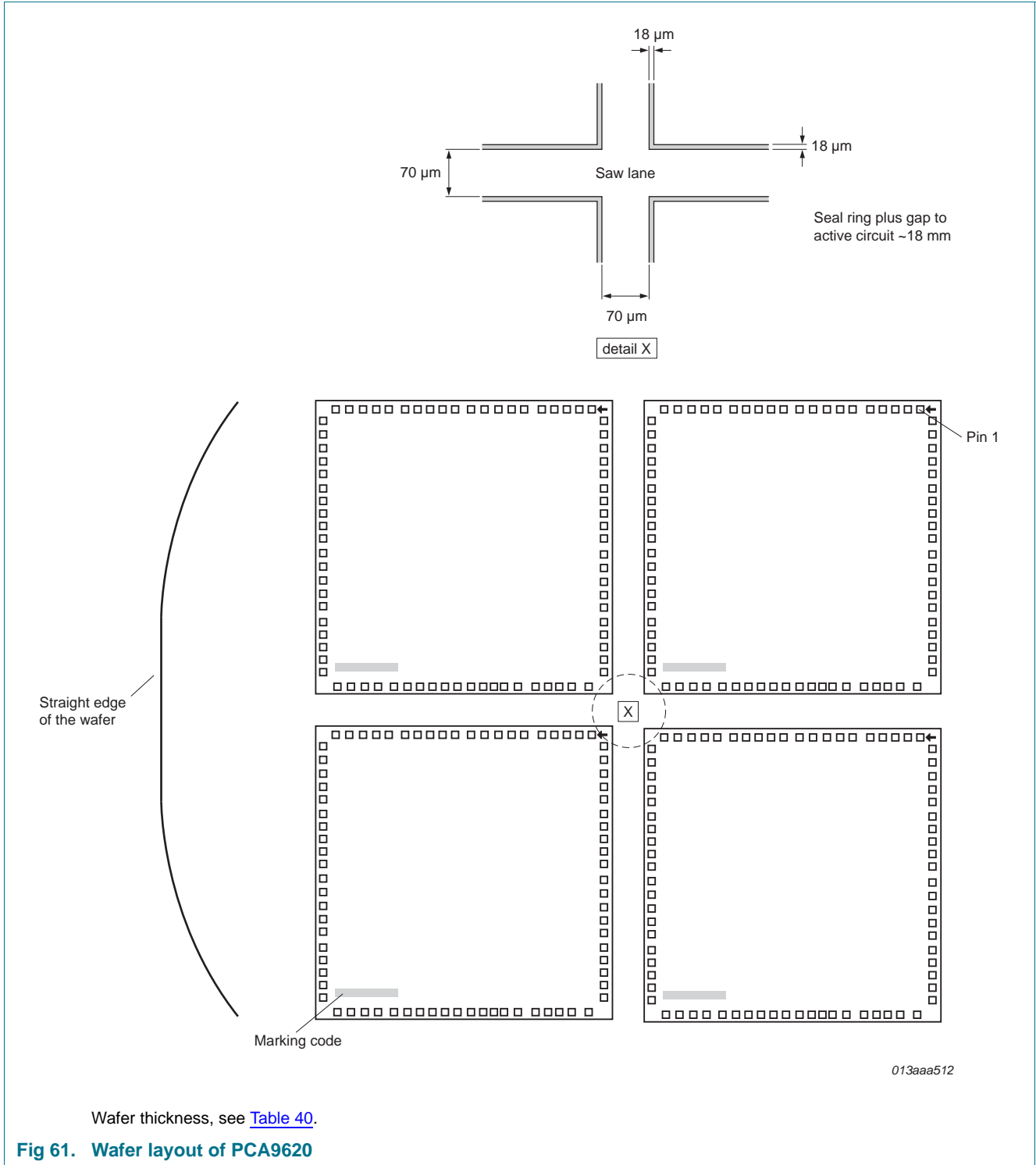


Table 40. PCA9620 wafer information

Type number	Wafer thickness	Wafer diameter	Marking of bad die
PCA9620/5GA/Q1	0.687 mm	6 inch	wafer mapping

## 18. Soldering of SMD packages

This text provides a very brief insight into a complex technology. A more in-depth account of soldering ICs can be found in Application Note AN10365 "Surface mount reflow soldering description".

### 18.1 Introduction to soldering

Soldering is one of the most common methods through which packages are attached to Printed Circuit Boards (PCBs), to form electrical circuits. The soldered joint provides both the mechanical and the electrical connection. There is no single soldering method that is ideal for all IC packages. Wave soldering is often preferred when through-hole and Surface Mount Devices (SMDs) are mixed on one printed wiring board; however, it is not suitable for fine pitch SMDs. Reflow soldering is ideal for the small pitches and high densities that come with increased miniaturization.

### 18.2 Wave and reflow soldering

Wave soldering is a joining technology in which the joints are made by solder coming from a standing wave of liquid solder. The wave soldering process is suitable for the following:

- Through-hole components
- Leaded or leadless SMDs, which are glued to the surface of the printed circuit board

Not all SMDs can be wave soldered. Packages with solder balls, and some leadless packages which have solder lands underneath the body, cannot be wave soldered. Also, leaded SMDs with leads having a pitch smaller than ~0.6 mm cannot be wave soldered, due to an increased probability of bridging.

The reflow soldering process involves applying solder paste to a board, followed by component placement and exposure to a temperature profile. Leaded packages, packages with solder balls, and leadless packages are all reflow solderable.

Key characteristics in both wave and reflow soldering are:

- Board specifications, including the board finish, solder masks and vias
- Package footprints, including solder thieves and orientation
- The moisture sensitivity level of the packages
- Package placement
- Inspection and repair
- Lead-free soldering versus SnPb soldering

### 18.3 Wave soldering

Key characteristics in wave soldering are:

- Process issues, such as application of adhesive and flux, clinching of leads, board transport, the solder wave parameters, and the time during which components are exposed to the wave
- Solder bath specifications, including temperature and impurities

**18.4 Reflow soldering**

Key characteristics in reflow soldering are:

- Lead-free versus SnPb soldering; note that a lead-free reflow process usually leads to higher minimum peak temperatures (see [Figure 62](#)) than a SnPb process, thus reducing the process window
- Solder paste printing issues including smearing, release, and adjusting the process window for a mix of large and small components on one board
- Reflow temperature profile; this profile includes preheat, reflow (in which the board is heated to the peak temperature) and cooling down. It is imperative that the peak temperature is high enough for the solder to make reliable solder joints (a solder paste characteristic). In addition, the peak temperature must be low enough that the packages and/or boards are not damaged. The peak temperature of the package depends on package thickness and volume and is classified in accordance with [Table 41](#) and [42](#)

**Table 41. SnPb eutectic process (from J-STD-020C)**

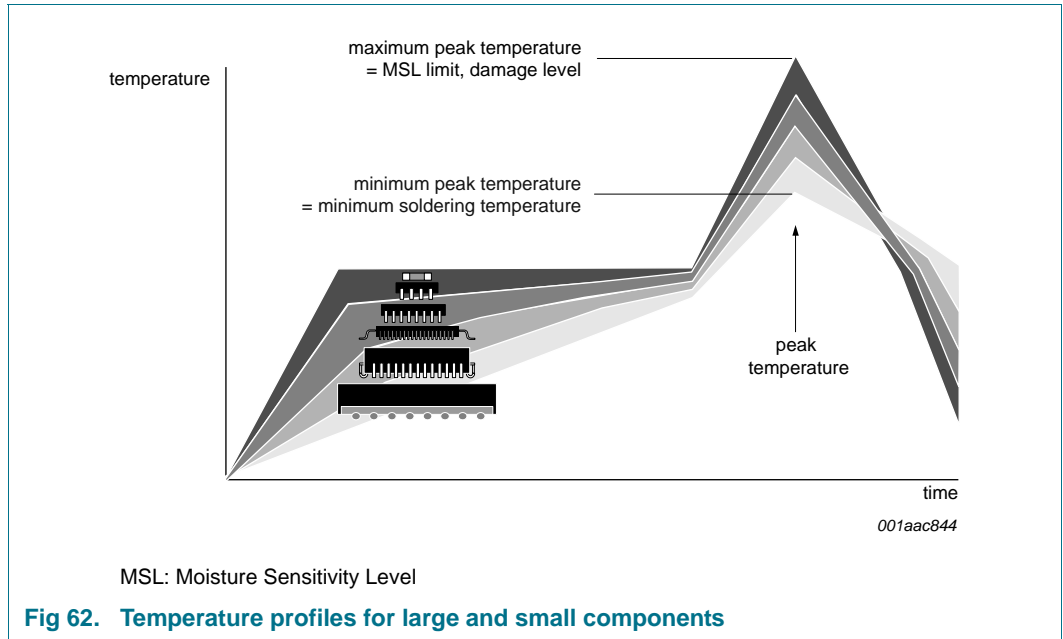
Package thickness (mm)	Package reflow temperature (°C)	
	Volume (mm <sup>3</sup> )	
	< 350	≥ 350
< 2.5	235	220
≥ 2.5	220	220

**Table 42. Lead-free process (from J-STD-020C)**

Package thickness (mm)	Package reflow temperature (°C)		
	Volume (mm <sup>3</sup> )		
	< 350	350 to 2000	> 2000
< 1.6	260	260	260
1.6 to 2.5	260	250	245
> 2.5	250	245	245

Moisture sensitivity precautions, as indicated on the packing, must be respected at all times.

Studies have shown that small packages reach higher temperatures during reflow soldering, see [Figure 62](#).



For further information on temperature profiles, refer to Application Note AN10365 "Surface mount reflow soldering description".

## 19. Abbreviations

**Table 43. Abbreviations**

Acronym	Description
AEC	Automotive Electronics Council
CDM	Charged-Device Model
DC	Direct Current
EPROM	Erasable Programmable Read-Only Memory
ESD	ElectroStatic Discharge
HBM	Human Body Model
I <sup>2</sup> C	Inter-Integrated Circuit bus
IC	Integrated Circuit
LCD	Liquid Crystal Display
LSB	Least Significant Bit
MSB	Most Significant Bit
MSL	Moisture Sensitivity Level
MUX	Multiplexer
OTP	One Time Programmable
PCB	Printed-Circuit Board
POR	Power-On Reset
RC	Resistance-Capacitance
RAM	Random Access Memory
RMS	Root Mean Square
SCL	Serial CLock line
SDA	Serial DAta line
SMD	Surface Mount Device



## 20. References

---

- [1] **AN10365** — Surface mount reflow soldering description
- [2] **AN10706** — Handling bare die
- [3] **AN10853** — ESD and EMC sensitivity of IC
- [4] **IEC 60134** — Rating systems for electronic tubes and valves and analogous semiconductor devices
- [5] **IEC 61340-5** — Protection of electronic devices from electrostatic phenomena
- [6] **IPC/JEDEC J-STD-020D** — Moisture/Reflow Sensitivity Classification for Nonhermetic Solid State Surface Mount Devices
- [7] **JESD22-A114** — Electrostatic Discharge (ESD) Sensitivity Testing Human Body Model (HBM)
- [8] **JESD22-C101** — Field-Induced Charged-Device Model Test Method for Electrostatic-Discharge-Withstand Thresholds of Microelectronic Components
- [9] **JESD78** — IC Latch-Up Test
- [10] **JESD625-A** — Requirements for Handling Electrostatic-Discharge-Sensitive (ESDS) Devices
- [11] **NX3-00092** — NXP store and transport requirements
- [12] **SNV-FA-01-02** — Marking Formats Integrated Circuits
- [13] **UM10204** — I<sup>2</sup>C-bus specification and user manual

## 21. Revision history

Table 44. Revision history

Document ID	Release date	Data sheet status	Change notice	Supersedes
PCA9620 v.2	20111108	Product data sheet	-	PCA9620 v.1
Modifications:		<ul style="list-style-type: none"><li>• Adjusted specification of LCD voltage variation</li><li>• Added bare die type and related information</li><li>• Corrected equations of drive mode waveforms</li><li>• Adjusted automotive qualification statement</li><li>• Added comment to block diagram</li></ul>		
PCA9620 v.1	20101209	Product data sheet	-	-

## 22. Legal information

### 22.1 Data sheet status

Document status <sup>[1][2]</sup>	Product status <sup>[3]</sup>	Definition
Objective [short] data sheet	Development	This document contains data from the objective specification for product development.
Preliminary [short] data sheet	Qualification	This document contains data from the preliminary specification.
Product [short] data sheet	Production	This document contains the product specification.

[1] Please consult the most recently issued document before initiating or completing a design.

[2] The term 'short data sheet' is explained in section "Definitions".

[3] The product status of device(s) described in this document may have changed since this document was published and may differ in case of multiple devices. The latest product status information is available on the Internet at URL <http://www.nxp.com>.

### 22.2 Definitions

**Draft** — The document is a draft version only. The content is still under internal review and subject to formal approval, which may result in modifications or additions. NXP Semiconductors does not give any representations or warranties as to the accuracy or completeness of information included herein and shall have no liability for the consequences of use of such information.

**Short data sheet** — A short data sheet is an extract from a full data sheet with the same product type number(s) and title. A short data sheet is intended for quick reference only and should not be relied upon to contain detailed and full information. For detailed and full information see the relevant full data sheet, which is available on request via the local NXP Semiconductors sales office. In case of any inconsistency or conflict with the short data sheet, the full data sheet shall prevail.

**Product specification** — The information and data provided in a Product data sheet shall define the specification of the product as agreed between NXP Semiconductors and its customer, unless NXP Semiconductors and customer have explicitly agreed otherwise in writing. In no event however, shall an agreement be valid in which the NXP Semiconductors product is deemed to offer functions and qualities beyond those described in the Product data sheet.

### 22.3 Disclaimers

**Limited warranty and liability** — Information in this document is believed to be accurate and reliable. However, NXP Semiconductors does not give any representations or warranties, expressed or implied, as to the accuracy or completeness of such information and shall have no liability for the consequences of use of such information.

In no event shall NXP Semiconductors be liable for any indirect, incidental, punitive, special or consequential damages (including - without limitation - lost profits, lost savings, business interruption, costs related to the removal or replacement of any products or rework charges) whether or not such damages are based on tort (including negligence), warranty, breach of contract or any other legal theory.

Notwithstanding any damages that customer might incur for any reason whatsoever, NXP Semiconductors' aggregate and cumulative liability towards customer for the products described herein shall be limited in accordance with the *Terms and conditions of commercial sale* of NXP Semiconductors.

**Right to make changes** — NXP Semiconductors reserves the right to make changes to information published in this document, including without limitation specifications and product descriptions, at any time and without notice. This document supersedes and replaces all information supplied prior to the publication hereof.

**Suitability for use** — NXP Semiconductors products are not designed, authorized or warranted to be suitable for use in life support, life-critical or safety-critical systems or equipment, nor in applications where failure or

malfunction of an NXP Semiconductors product can reasonably be expected to result in personal injury, death or severe property or environmental damage. NXP Semiconductors accepts no liability for inclusion and/or use of NXP Semiconductors products in such equipment or applications and therefore such inclusion and/or use is at the customer's own risk.

**Applications** — Applications that are described herein for any of these products are for illustrative purposes only. NXP Semiconductors makes no representation or warranty that such applications will be suitable for the specified use without further testing or modification.

Customers are responsible for the design and operation of their applications and products using NXP Semiconductors products, and NXP Semiconductors accepts no liability for any assistance with applications or customer product design. It is customer's sole responsibility to determine whether the NXP Semiconductors product is suitable and fit for the customer's applications and products planned, as well as for the planned application and use of customer's third party customer(s). Customers should provide appropriate design and operating safeguards to minimize the risks associated with their applications and products.

NXP Semiconductors does not accept any liability related to any default, damage, costs or problem which is based on any weakness or default in the customer's applications or products, or the application or use by customer's third party customer(s). Customer is responsible for doing all necessary testing for the customer's applications and products using NXP Semiconductors products in order to avoid a default of the applications and the products or of the application or use by customer's third party customer(s). NXP does not accept any liability in this respect.

**Limiting values** — Stress above one or more limiting values (as defined in the Absolute Maximum Ratings System of IEC 60134) will cause permanent damage to the device. Limiting values are stress ratings only and (proper) operation of the device at these or any other conditions above those given in the Recommended operating conditions section (if present) or the Characteristics sections of this document is not warranted. Constant or repeated exposure to limiting values will permanently and irreversibly affect the quality and reliability of the device.

**Terms and conditions of commercial sale** — NXP Semiconductors products are sold subject to the general terms and conditions of commercial sale, as published at <http://www.nxp.com/profile/terms>, unless otherwise agreed in a valid written individual agreement. In case an individual agreement is concluded only the terms and conditions of the respective agreement shall apply. NXP Semiconductors hereby expressly objects to applying the customer's general terms and conditions with regard to the purchase of NXP Semiconductors products by customer.

**No offer to sell or license** — Nothing in this document may be interpreted or construed as an offer to sell products that is open for acceptance or the grant, conveyance or implication of any license under any copyrights, patents or other industrial or intellectual property rights.

**Export control** — This document as well as the item(s) described herein may be subject to export control regulations. Export might require a prior authorization from competent authorities.

**Suitability for use in automotive applications** — This NXP Semiconductors product has been qualified for use in automotive applications. Unless otherwise agreed in writing, the product is not designed, authorized or warranted to be suitable for use in life support, life-critical or safety-critical systems or equipment, nor in applications where failure or malfunction of an NXP Semiconductors product can reasonably be expected to result in personal injury, death or severe property or environmental damage. NXP Semiconductors accepts no liability for inclusion and/or use of NXP Semiconductors products in such equipment or applications and therefore such inclusion and/or use is at the customer's own risk.

**Bare die** — All die are tested on compliance with their related technical specifications as stated in this data sheet up to the point of wafer sawing and are handled in accordance with the NXP Semiconductors storage and transportation conditions. If there are data sheet limits not guaranteed, these will be separately indicated in the data sheet. There are no post-packing tests performed on individual die or wafers.

NXP Semiconductors has no control of third party procedures in the sawing, handling, packing or assembly of the die. Accordingly, NXP Semiconductors assumes no liability for device functionality or performance of the die or systems after third party sawing, handling, packing or assembly of the die. It is the responsibility of the customer to test and qualify their application in which the die is used.

All die sales are conditioned upon and subject to the customer entering into a written die sale agreement with NXP Semiconductors through its legal department.

## 22.4 Trademarks

Notice: All referenced brands, product names, service names and trademarks are the property of their respective owners.

**I<sup>2</sup>C-bus** — logo is a trademark of NXP B.V.

## 23. Contact information

For more information, please visit: <http://www.nxp.com>

For sales office addresses, please send an email to: [salesaddresses@nxp.com](mailto:salesaddresses@nxp.com)

## 24. Contents

<b>1</b>	<b>General description</b> . . . . .	<b>1</b>	8.4.6	Charge pump frequency settings and power efficiency . . . . .	35
<b>2</b>	<b>Features and benefits</b> . . . . .	<b>1</b>	8.4.7	Temperature readout . . . . .	37
<b>3</b>	<b>Applications</b> . . . . .	<b>2</b>	8.4.8	Temperature compensation of $V_{LCD}$ . . . . .	38
<b>4</b>	<b>Ordering information</b> . . . . .	<b>2</b>	8.5	Oscillator . . . . .	40
<b>5</b>	<b>Marking</b> . . . . .	<b>2</b>	8.5.1	Internal oscillator . . . . .	40
<b>6</b>	<b>Block diagram</b> . . . . .	<b>3</b>	8.5.2	External clock . . . . .	40
<b>7</b>	<b>Pinning information</b> . . . . .	<b>4</b>	8.5.3	Timing and frame frequency . . . . .	41
7.1	Pinning . . . . .	4	8.6	Backplane outputs . . . . .	41
7.2	Pin description . . . . .	6	8.7	Segment outputs . . . . .	42
<b>8</b>	<b>Functional description</b> . . . . .	<b>7</b>	8.8	Display register . . . . .	42
8.1	Commands of PCA9620 . . . . .	7	8.9	Display RAM . . . . .	42
8.1.1	Command: initialize . . . . .	7	8.9.1	Data pointer . . . . .	43
8.1.2	Command: OTP-refresh . . . . .	8	8.9.1.1	RAM filling in static drive mode . . . . .	44
8.1.3	Command: oscillator-ctrl . . . . .	8	8.9.1.2	RAM filling in 1:2 multiplex drive mode . . . . .	45
8.1.4	Command: charge-pump-ctrl . . . . .	9	8.9.1.3	RAM filling in 1:4 multiplex drive mode . . . . .	45
8.1.5	Command: temp-msr-ctrl . . . . .	9	8.9.1.4	RAM filling in 1:6 multiplex drive mode . . . . .	46
8.1.6	Command: set-VPR-MSB and set-VPR-LSB . . . . .	9	8.9.1.5	RAM filling in 1:8 multiplex drive mode . . . . .	47
8.1.7	Command: display-enable . . . . .	10	8.9.2	Bank selection . . . . .	48
8.1.8	Command: set-MUX-mode . . . . .	10	8.9.2.1	Input-bank-select . . . . .	49
8.1.9	Command: set-bias-mode . . . . .	10	8.9.2.2	Output-bank-select . . . . .	50
8.1.10	Command: load-data-pointer . . . . .	10	<b>9</b>	<b>I<sup>2</sup>C-bus interface characteristics</b> . . . . .	<b>51</b>
8.1.11	Command: frame-frequency . . . . .	11	9.1	Bit transfer . . . . .	51
8.1.12	Bank select commands . . . . .	12	9.2	START and STOP conditions . . . . .	51
8.1.12.1	Command: input-bank-select . . . . .	12	9.3	System configuration . . . . .	51
8.1.12.2	Command: output-bank-select . . . . .	12	9.4	Acknowledge . . . . .	52
8.1.13	Command: write-RAM-data . . . . .	13	9.5	I <sup>2</sup> C-bus controller . . . . .	53
8.1.14	Command: temp-read . . . . .	13	9.6	Input filters . . . . .	53
8.1.15	Command: invmode_CPF_ctrl . . . . .	13	9.7	I <sup>2</sup> C-bus slave address . . . . .	53
8.1.16	Command: temp-filter . . . . .	14	9.8	I <sup>2</sup> C-bus protocol . . . . .	53
8.2	Possible display configurations . . . . .	14	<b>10</b>	<b>Internal circuitry</b> . . . . .	<b>55</b>
8.3	Start-up and shut-down . . . . .	16	<b>11</b>	<b>Limiting values</b> . . . . .	<b>56</b>
8.3.1	Power-On Reset (POR) . . . . .	16	<b>12</b>	<b>Static characteristics</b> . . . . .	<b>57</b>
8.3.2	Recommended start-up sequences . . . . .	18	<b>13</b>	<b>Dynamic characteristics</b> . . . . .	<b>61</b>
8.3.3	Recommended power-down sequences . . . . .	20	<b>14</b>	<b>Test information</b> . . . . .	<b>62</b>
8.4	LCD voltage . . . . .	22	14.1	Quality information . . . . .	62
8.4.1	LCD voltage selector . . . . .	22	<b>15</b>	<b>Package outline</b> . . . . .	<b>63</b>
8.4.1.1	Electro-optical performance . . . . .	24	<b>16</b>	<b>Bare die outline</b> . . . . .	<b>64</b>
8.4.2	LCD drive mode waveforms . . . . .	25	<b>17</b>	<b>Packing information</b> . . . . .	<b>68</b>
8.4.2.1	Static drive mode . . . . .	25	17.1	Wafer information . . . . .	68
8.4.2.2	1:2 Multiplex drive mode . . . . .	26	<b>18</b>	<b>Soldering of SMD packages</b> . . . . .	<b>69</b>
8.4.2.3	1:4 Multiplex drive mode . . . . .	28	18.1	Introduction to soldering . . . . .	69
8.4.2.4	1:6 Multiplex drive mode . . . . .	29	18.2	Wave and reflow soldering . . . . .	69
8.4.2.5	1:8 Multiplex drive mode . . . . .	31	18.3	Wave soldering . . . . .	69
8.4.3	$V_{LCD}$ generation . . . . .	33	18.4	Reflow soldering . . . . .	70
8.4.4	External $V_{LCD}$ supply . . . . .	34	<b>19</b>	<b>Abbreviations</b> . . . . .	<b>72</b>
8.4.5	Charge pump driving capability . . . . .	35			

continued >>

<b>20</b>	<b>References</b> .....	<b>73</b>
<b>21</b>	<b>Revision history</b> .....	<b>74</b>
<b>22</b>	<b>Legal information</b> .....	<b>75</b>
22.1	Data sheet status .....	75
22.2	Definitions .....	75
22.3	Disclaimers .....	75
22.4	Trademarks .....	76
<b>23</b>	<b>Contact information</b> .....	<b>76</b>
<b>24</b>	<b>Contents</b> .....	<b>77</b>

---

Please be aware that important notices concerning this document and the product(s) described herein, have been included in section 'Legal information'.

---

© NXP B.V. 2011.

All rights reserved.

For more information, please visit: <http://www.nxp.com>

For sales office addresses, please send an email to: [salesaddresses@nxp.com](mailto:salesaddresses@nxp.com)

Date of release: 8 November 2011

Document identifier: PCA9620