

LM3464,LM3464A

LM3464/LM3464A LED Driver with Dynamic Headroom Control and Thermal Control Interfaces



Literature Number: SNVS652E

LM3464/LM3464A

LED Driver with Dynamic Headroom Control and Thermal Control Interfaces

General Description

The LM3464/64A is a 4-channel high voltage current regulator that provides a simple solution for LED lighting applications. The LM3464/64A provides four individual current regulator channels and works in conjunction with external N-channel MOSFETs and sense resistors to give accurate driving current for every LED string. Additionally, the Dynamic Headroom Control (DHC) output can be interfaced to the external power supply to adjust the LED supply voltage to the lowest level that is adequate to maintain all the string currents in regulation, yielding the optimal overall efficiency.

Digital PWM or analog voltage signals can be used to control the duty cycle of the all the channels. When analog control is used, the dimming frequency can be programmed via an external capacitor. A minimum duty cycle control is provided in the conditions that the analog dimming is configured as thermal feedback.

Protection features include VIN under-voltage lock-out, LED open/short circuit and over-temperature fault signaling to the system controller.

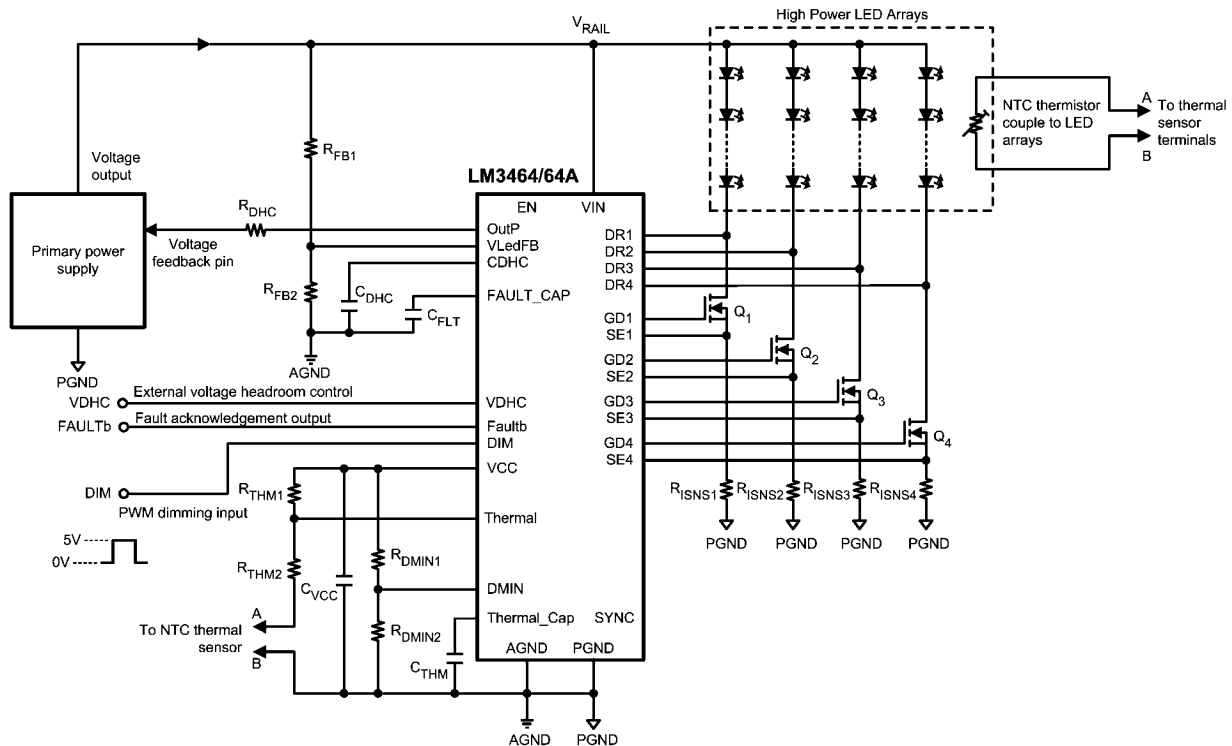
Features

- Wide input voltage range
12V-80V (LM3464)
12V-95V (LM3464A)
- Dynamic Headroom Control ensures maximum efficiency
- 4 output channels with individual current regulation
- High channel to channel accuracy
- Digital PWM/Analog dimming control interface
- Resistor programmable dimming frequency & minimum duty cycle (analog dimming mode)
- Direct interface to thermal sensor
- Fault detection
- Over temperature protection
- Thermal shutdown
- Under voltage lockout
- Thermal enhanced eTSSOP-28 package

Applications

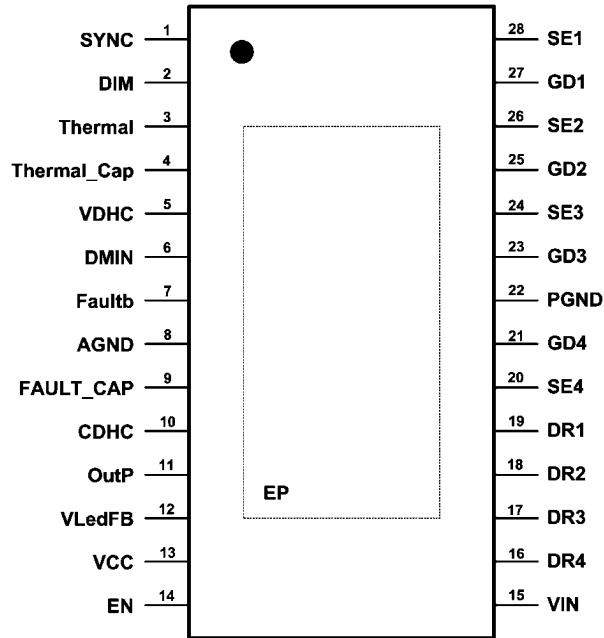
- Streetlights
- Solid State Lighting Solutions

Typical Application



30115001

Connection Diagram



Top View
 28 Lead Plastic eTSSOP-28
 NS Package Number MXA28A

30115002

Ordering Information

Order Number	Package Type	NSC Package Drawing	Supplied As
LM3464MH	Exposed Pad TSSOP-28	MXA28A	73 Units per Anti-Static Tube
LM3464MHX			2500 Units on Tape and Reel
LM3464AMH	Exposed Pad TSSOP-28	MXA28A	73 Units per Anti-Static Tube
LM3464AMHX			2500 Units on Tape and Reel

Pin Descriptions

Pin	Name	Description	Application Information
1	SYNC	Synchronization signal output for cascade operation (Master-Slave configuration)	Connect this pin to the DIM pin of other LM3464/64A to enable cascade operation (multiple device). This pin should leave open for single device operation.
2	DIM	PWM dimming control	Apply logic level PWM signal to this pin controls the average brightness of the LED string. (<1.25V disable output).
3	Thermal	Thermal sensor input	Connect thermal sensor to this pin with bias accordingly to facilitate thermal foldback and control the brightness of the LED array.
4	Thermal_Cap	Thermal dimming ramp capacitor	Connect a capacitor across this pin and GND to define the thermal dimming frequency.
5	VDHC	Head room control	Apply external voltage across this pin and ground to define the minimum drain voltage. This pin is internal biased at 0.9V.
6	DMIN	Minimum thermal dimming duty control	The voltage across this pin and GND defines the minimum thermal dimming duty cycle.
7	Faultb	Fault signal output	Open Drain output, pull-down when FAULT condition occurred.
8	AGND	Signal ground	Analog ground connection for internal circuitry. Must be connected to PGND external to the package.
9	FAULT_CAP	Fault delay capacitor	Connect to an external capacitor to program the fault response time.
10	CDHC	DHC time constant capacitor	An external capacitor to ground programs the Dynamic Headroom Control loop response time
11	OutP	DHC Output	Connect this pin to the voltage feedback input of primary power supply to facilitate dynamic headroom control.
12	VLedFB	Output voltage sense input	This pin senses the output voltage of the primary power supply.
13	VCC	Internal regulator output	This pin is the output terminal of the internal voltage regulator and should be bypassed by a high quality 1uF ceramic capacitor.
14	EN	Enable input	This pin serves as device enable input when logic level signal is applied. (Active high with internal pull-up)
15	VIN	Supply voltage	The input voltage should be in the range of 12V to 80V for LM3464, 12–95V for LM3464A
16	DR4	Channel 4 drain sense input	This pin senses the drain voltage of the external MOSFET of channel 4 to facilitate DHC operation and fault detection.
17	DR3	Channel 3 drain sense input	This pin senses the drain voltage of the external MOSFET of channel 3 to facilitate DHC operation and fault detection.
18	DR2	Channel 2 drain sense input	This pin senses the drain voltage of the external MOSFET of channel 2 to facilitate DHC operation and fault detection.
19	DR1	Channel 1 drain sense input	This pin senses the drain voltage of the external MOSFET of channel 1 to facilitate DHC operation and fault detection.

Pin	Name	Description	Application Information
20	SE4	Channel 4 sense input	Connect to an external sense resistor to define the Channel 4 LED current.
21	GD4	Channel 4 gate driver output	Connect to the gate of external NMOS to control the channel 4 LED current.
22	PGND	Power Ground	Ground for power circuitry. Reference point for all stated voltages. Must be externally connected to EP and AGND
23	GD3	Channel 3 gate driver output	Connect to the gate of external NMOS to control the channel 3 LED current.
24	SE3	Channel 3 sense input	Connect to an external sense resistor to define the Channel 3 LED current.
25	GD2	Channel 2 gate driver output	Connect to the gate of external NMOS to control the channel 2 LED current.
26	SE2	Channel 2 sense input	Connect to an external sense resistor to define the Channel 2 LED current.
27	GD1	Channel 1 gate driver output	Connect to the gate of external NMOS to control the channel 1 LED current.
28	SE1	Channel 1 sense input	Connect to an external sense resistor to define the Channel 1 LED current.
EP	EP	Thermal Pad (Power Ground)	Used to dissipate heat from the package during operation. Must be electrically connected to PGND external to the package.

Absolute Maximum Ratings (LM3464/LM3464A) (Note 1)

If Military/Aerospace specified devices are required, please contact the National Semiconductor Sales Office/Distributors for availability and specifications.

(LM3464/LM3464A)

V_{IN} to GND	-0.3V to 100V
DR1, DR2, DR3, DR4 to GND	-0.3V to 100V
EN to GND	-0.3V to 5.5V
All other inputs to GND	-0.3V to 7V
ESD Rating (Note 2)	
Human Body Model	±2 kV

Storage Temperature Range	-65°C to +150°C
Junction Temperature (T_J)	+150°C

Operating Ratings (LM3464)

Supply Voltage Range (V_{IN})	12V to 80V
Junction Temperature Range (T_J)	-40°C to +125°C
Thermal Resistance (θ_{JA}) (Note 3)	33.5°C/W
Thermal Resistance (θ_{JC}) (Note 3)	6°C/W

Operating Ratings (LM3464A)

Supply Voltage Range (V_{IN})	12V to 95V
Junction Temperature Range (T_J)	-40°C to +125°C
Thermal Resistance (θ_{JA}) (Note 3)	33.5°C/W
Thermal Resistance (θ_{JC}) (Note 3)	6°C/W

Electrical Characteristics (LM3464/LM3464A) Specification with standard type are for $T_A = T_J = +25^\circ\text{C}$ only; limits in **boldface** type apply over the full Operating Junction Temperature (T_J) range. Minimum and Maximum are guaranteed through test, design or statistical correlation. Typical values represent the most likely parametric norm at $T_J = +25^\circ\text{C}$, and are provided for reference purposes only. Unless otherwise stated the following conditions apply: $V_{IN} = 48\text{V}$.

Symbol	Parameter	Conditions	Min	Typ	Max	Units
Vcc Regulator						
$V_{IN-UVLO}$	Vin under voltage lockout	V_{IN} increasing		8.5		V
$V_{IN-UVLO-HYS}$	Vin UVLO hysteresis	V_{IN} decreasing		95		mV
V_{CC}	VCC output voltage	$C_{VCC} = 0.68 \mu\text{F}$ No load	6.15	6.3	6.51	V
$V_{CC-UVLO}$	VCC under-voltage lockout threshold (UVLO)	V_{CC} increasing	4.98		5.28	V
$V_{CC-UVLO-HYS}$	VCC UVLO hysteresis	V_{CC} decreasing		250		mV
I_{IN}	Quiescent Current from VIN	$C_{VCC} = 0.68 \mu\text{F}$ No load	1.65	2.3	3	mA
I_{VCC}	VCC Current limit	$V_{CC} = 0\text{V}$	18			mA
Device Enable						
$V_{EN-DISABLE}$	Device disable voltage threshold	V_{EN} Decreasing	2.1	2.55	3	V
I_{EN-MAX}	EN pin internal pull current	$V_{EN} = 0\text{V}$	7.2	11	14.7	uA
Analog Dimming Control Interface						
$V_{CTHM-MAX}$	Sawtooth max. voltage threshold at Thermal_Cap pin 100% output duty cycle		2.95	3.25	3.3	V
$V_{CTHM-MIN}$	Sawtooth min. voltage threshold at Thermal_Cap pin 0% output duty cycle		0.325	0.4	0.493	V
I_{CTHM}	Thermal_Cap pin output current		38.9	50	61	uA
PWM Dimming Control Interface						
$V_{DIM-LED-ON}$	DIM pin voltage threshold at LED ON	$V_{DMIN} = 0\text{V}$ $V_{THERMAL} = V_{CC}$	1.19			V
$V_{DIM-LED-OFF}$	DIM pin voltage threshold at LED OFF	$V_{DMIN} = 0\text{V}$ $V_{THERMAL} = V_{CC}$			1.3	V
Dynamic Headroom Control Output						
$V_{OutP-MAX}$	OutP pin max. output voltage			$V_{CC}-0.5$		V
$V_{OutP-MIN}$	OutP pin min. output voltage	$I_{outP} = 1 \text{ mA}$ current sink		0.3		V
$V_{LEDFB-LED-ON}$	VLedFB pin voltage threshold at LED ON		2.4	2.5	2.58	V
$V_{LEDFB-SYS-RST}$	System restart VLedFB pin voltage threshold for system restart	Measure at VLedFB pin		1.2		V

Symbol	Parameter	Conditions	Min	Typ	Max	Units
LED Current Regulator						
$V_{GDx-MAX}$	GDx gate driver max. output voltage		4.73	$V_{CC}-1$		V
$V_{GDx-MIN}$	GDx gate driver min. output voltage			0.115	0.127	V
$I_{GDx-MAX}$	GDx gate driver short circuit current	GDx short to GND			8	mA
I_{DRx}	DRx pin input current	$V_{DRx} = 10V$		25	29	μA
		$V_{DRx} = 100V$		55	70	μA
Fault Detection and Handling						
V_{OVP-TH}	DRx Pin over-voltage protection threshold	Measure at DRx pin	18	19	21	V
$V_{SHORTFAULT}$	DRx short fault threshold	Any $V_{DRx} < 2.5V$	8.35	8.4	9.75	V
$V_{OPENFAULT}$	SEx open fault threshold	Measure at SEx pin	30			mV
$I_{FAULT-CAP}$	FAULT_CAP pin output current	All $V_{DRx} < V_{OVP-TH}$		25		μA
$I_{FAULT-CAP-OVP}$	FAULT_CAP pin output current at DRx over-voltage	Any $V_{DRx} \geq V_{OVP-TH}$		105		μA
$V_{FAULT-CAP}$	FAULT_CAP pin voltage threshold at fault timer expire	$V_{FAULT-CAP}$ rising		3.6		V
R_{Faultb}	Faultb pin to GND resistance	LED fault = TRUE		110		Ω
Thermal Protection						
T_{OTM-TH}	Over Temperature Monitor Threshold			125		$^{\circ}C$
$T_{OTM-HYS}$	Over Temperature Monitor Hysteresis			20		$^{\circ}C$
T_{SD}	Thermal shutdown temperature	T_J rising		165		$^{\circ}C$
T_{SD-HYS}	Thermal shutdown temperature hysteresis	T_J falling		20		$^{\circ}C$
Thermal Resistance						
θ_{JA}	Junction to Ambient (<i>Note 3</i>)	eTSSOP-28 Package		33.5		$^{\circ}C/W$
θ_{JC}	Junction to Case (<i>Note 3</i>)			6		$^{\circ}C/W$

Note 1: Absolute Maximum Ratings are limits beyond which damage to the device may occur. Operating Ratings are conditions under which operation of the device is intended to be functional. For guaranteed specifications and test conditions, see the Electrical Characteristics.

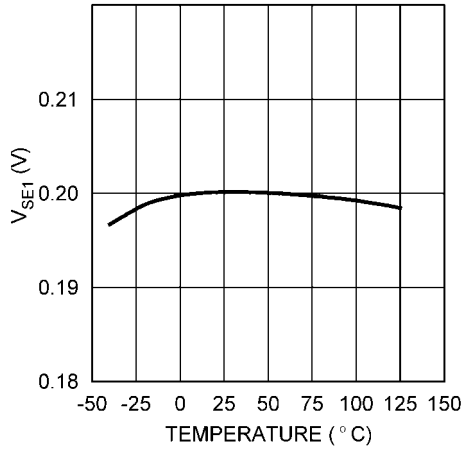
Note 2: The human body model is a 100 pF capacitor discharged through a 1.5 k Ω resistor into each pin.

Note 3: Measurements are performed on a 4 layer JEDEC board with 10 vias provided under the exposed pad. See JESD51-1 to JESD51-11. The value of θ_{JA} is specifically dependent on the PCB trace area, trace material and the number of layers and thermal vias.

Note 4: V_{CC} provides self bias for the internal gate drive and control circuits. Device thermal limitations limit external loading.

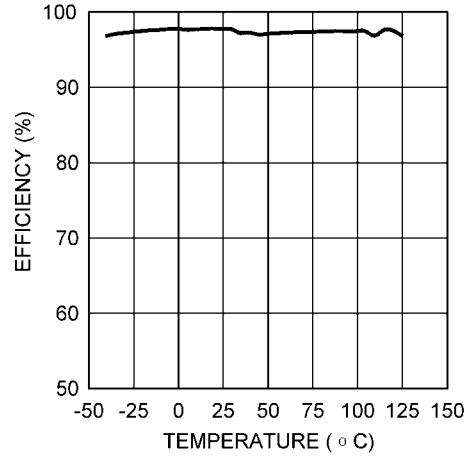
Typical Performance Characteristics All curves taken at $V_{IN} = 48V$ with configuration in typical application for driving twelve power LEDs with four output channels active and output current per channel = 350 mA. $T_A = 25^\circ C$, unless otherwise specified.

Channel 1 Current Sense Voltage (V_{SE1})



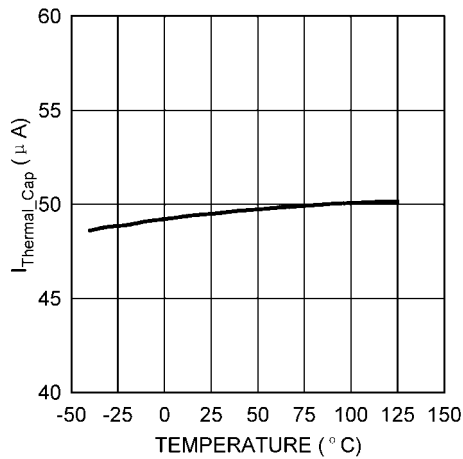
30115015

Efficiency (%)



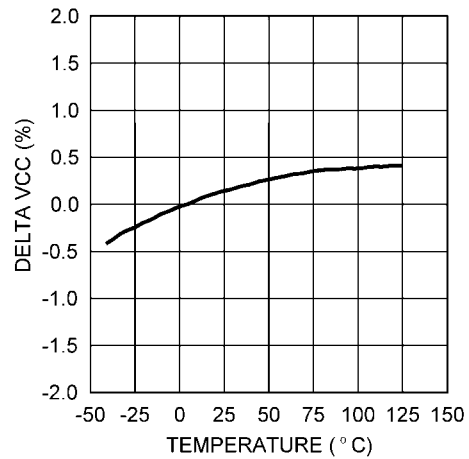
30115016

Thermal_Cap Pin Output Current



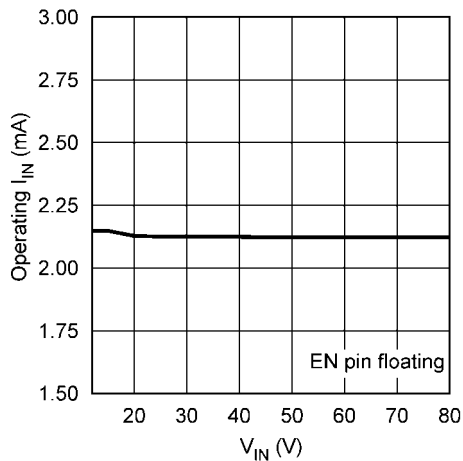
30115017

VCC Variation (%)



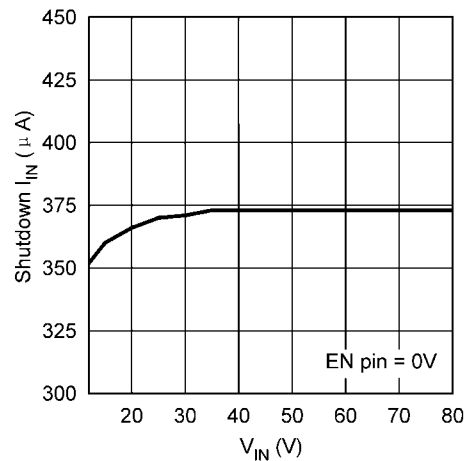
30115018

Operating Current (EN pin floating)



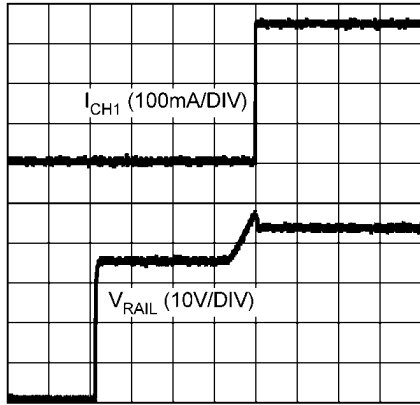
30115019

Shutdown Current (EN pin = 0V)



30115020

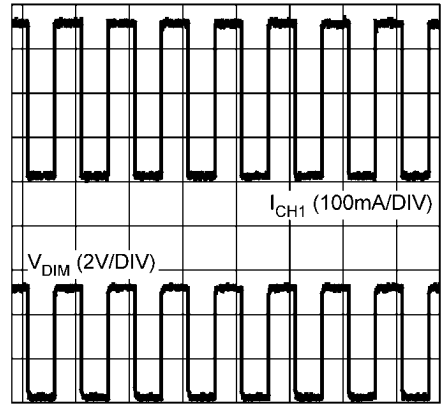
Startup Waveforms



200ms/DIV

30115023

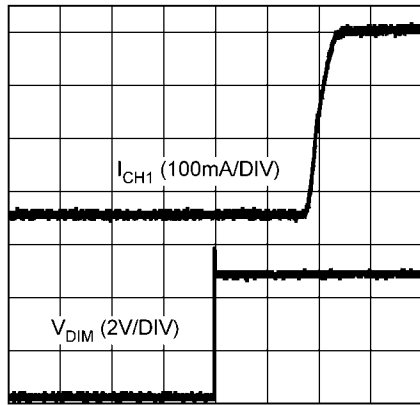
PWM Dimming (DIM pin)



4ms/DIV

30115024

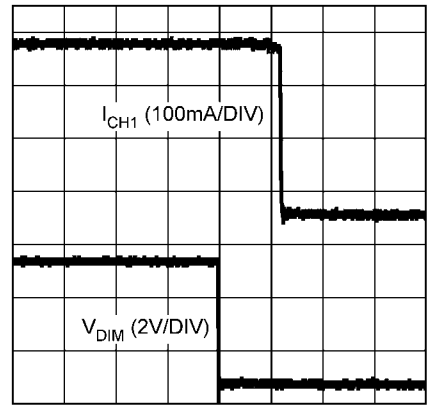
PWM Dimming Delay Time (V_{DIM} rising)



1us/DIV

30115025

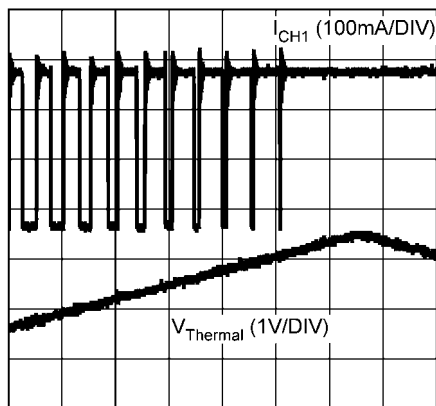
PWM Dimming Delay Time (V_{DIM} falling)



1us/DIV

30115044

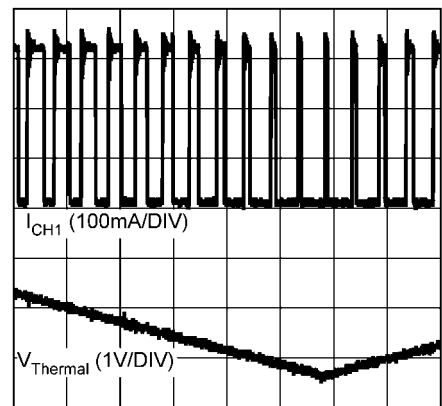
Thermal Foldback Dimming ($V_{THERMAL}$ rising)



400us/DIV

30115027

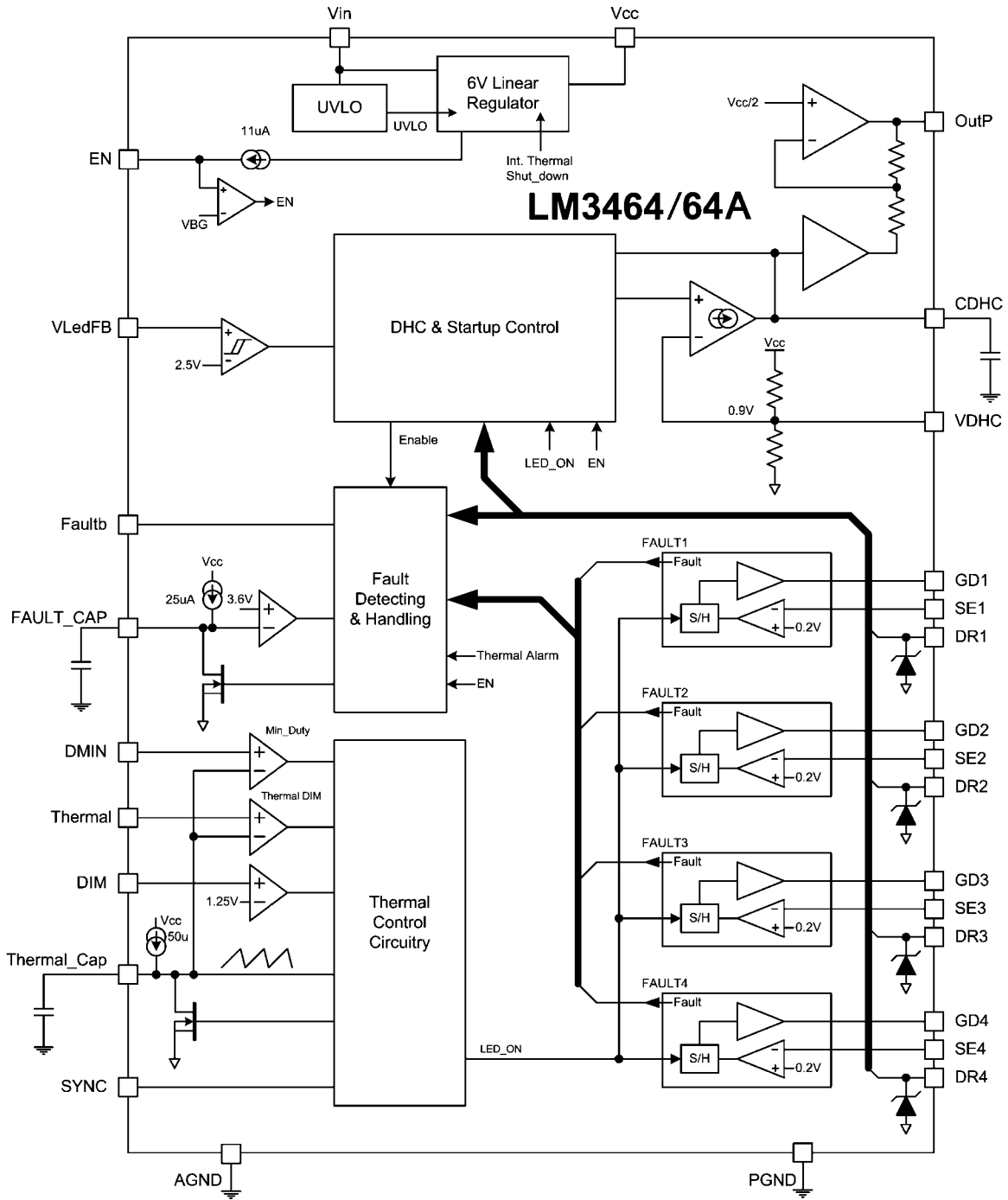
Thermal Foldback Dimming ($V_{THERMAL}$ falling)



400us/DIV

30115028

Block Diagram



30115021

LM3464 / 64A LED driving stage

Off-line AC/DC converter

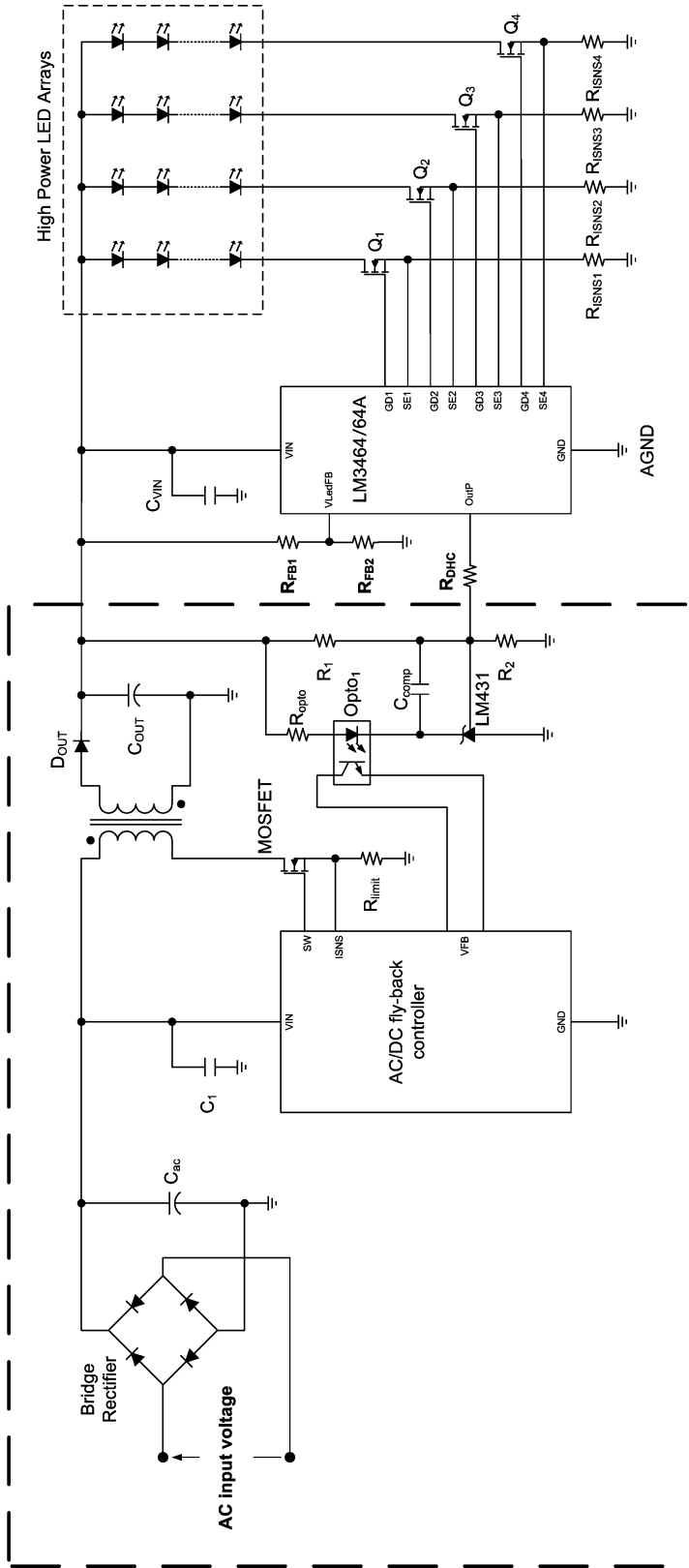


FIGURE 1. Typical Application Circuit with Fly-Back AC/DC Converter

30115003

Overview

The LM3464/64A is a four channel linear current regulator designed for LED lighting systems with wide input voltage range, high speed PWM and thermal foldback dimming control interface. The LM3464/64A incorporates a Dynamic Headroom Control (DHC) technology which maximizes overall efficiency of the lighting system by adjusting the output voltage of the primary power source dynamically. Linear current regulation secures high accuracy output current, LED and system reliability. High speed PWM dimming provides the flexibility of brightness control while maintaining constant color temperature of the light. The thermal foldback feature enables the LM3464/64A to manage the temperature of the LED heat sink or system chassis with a simple NTC/PTC temperature sensor. The thermal foldback input can also be used as an analog dimming control input to adapt to other sensors easily, such as ambient light sensor.

Dynamic Headroom Control (DHC)

Operation Principles of DHC

Dynamic Headroom Control is a technology that aims at maximizing the overall system efficiency by altering the supply voltage to the LED(s) dynamically in respect to the characteristics of the LED(s). In the LM3464/64A, DHC is facilitated by connecting a resistor in between the OutP pin of the LM3464/64A and the voltage feedback node of the primary power supply (AC/DC) as shown in Figure 2.

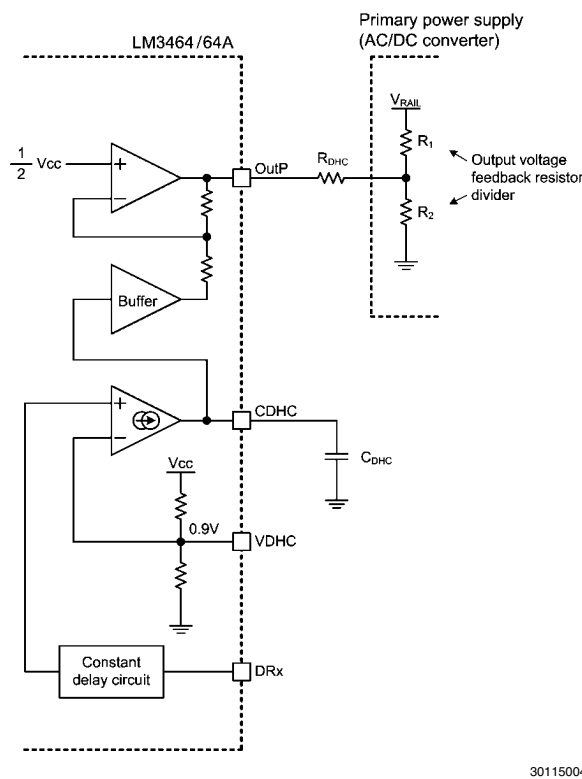


FIGURE 2. Circuitry of the DHC Mechanism

For example, in steady state, when all the output channels are in regulation and the forward voltage of any LED string decreases due to temperature raise, the drain voltage of the corresponding channel (DRx) increases to exceed the default 0.9V typical headroom voltage in order to maintain constant

output current. As the drain voltage increases, the voltage of CDHC increases and the current sink into the OutP pin decreases. This will finally result in decrease of rail voltage (V_{RAIL}) until the corresponding DRx voltage returns to minimum level.

System Operation

In order to provide failure protection to the LEDs, the rail voltage is pulled up by the LM3464/64A from a relatively low voltage level at system startup until the rail voltage reaches certain preset level. Figure 3 shows the change of the rail voltage of the LM3464/64A LED lighting system upon the primary power source is powered.

The LM3464/64A can be interfaced to an off-the-shelf converter to form a LED lighting system with simple connections. Figure 1 shows the typical application circuit of a lighting system using the LM3464/64A with a fly-back AC/DC converter. In this application, the output voltage of the AC/DC converter is mainly governed by a voltage reference IC, LM431 and a voltage divider consists of R_1 and R_2 . The LM3464/64A influences the output voltage of the AC/DC converter by sinking current from the junction of the voltage divider (R_1 and R_2) to realize dynamic headroom control.

The operation of the LM3464/64A upon startup can be divided into several phases according to the changes of the rail voltage as shown in Figure 3. When the AC/DC converter is powered, the rail voltage increases and stays steady when its native nominal output voltage, $V_{RAIL(nom)}$ is reached. This voltage is defined by the output voltage feedback resistor divider of the AC/DC converter. At this voltage level, the LM3464/64A is powered already. After certain delay defined by C_{DHC} , the LM3464/64A starts to push the rail voltage up by sinking current into the OutP pin from the voltage feedback node of the AC/DC converter until the rail voltage reaches V_{DHC_READY} . V_{DHC_READY} is the highest rail voltage in normal operation and should be enough to turn on all the LED strings with current regulation (defined by R_{SNSx}). As V_{RAIL} reaches V_{DHC_READY} , the LM3464/64A turns on all the output channels. This discharges the output capacitor of the primary power supply and causes the rail voltage to decrease to certain level that system efficiency is maximized (V_{LED}).

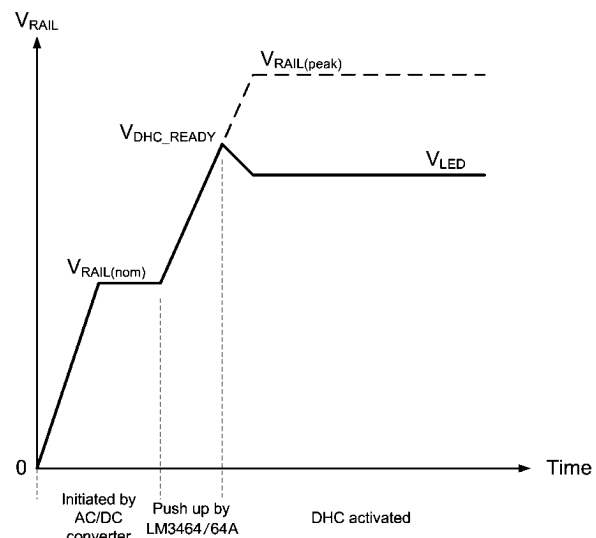


FIGURE 3. Changes of Rail Voltage Upon Power Up

Application Information

SETTING ($V_{RAIL(nom)}$)

The nominal rail voltage $V_{RAIL(nom)}$ is the nominal output voltage of the primary power supply (AC/DC) prior to DHC begins. The selection of $V_{RAIL(nom)}$ is primarily depend on the forward voltages of the LED arrays and should follow the equation shows below:

$$V_{RAIL(nom)} \leq V_{f(all_temp)} + V_{VDHC}$$

In the equation, $V_{f(all_temp)}$ is the lowest forward voltage among all the LED strings under all possible temperature. And V_{VDHC} is the voltage headroom which equals to the voltage at the VDHC pin. Normally, the forward voltage of an LED drops as the ambient temperature increases. This could create large variation of total forward voltage of a LED sting under different temperature. In order to ensure proper system startup, the variation of LED forward voltage against temperature must be considered in calculations.

SETTING V_{DHC_READY} AND $V_{RAIL(peak)}$

DHC begins when the voltage at VLedFB pin reaches 2.5V, which is defined by the values of R_{FB1} and R_{FB2} :

$$2.5V = V_{DHC_READY} \times \frac{R_{FB2}}{R_{FB1} + R_{FB2}}$$

Where

$$V_{DHC_READY} < V_{RAIL(peak)}$$

At this stage, the current of the LED strings are regulated and the rail voltage decreases in order to maintain minimum voltage drop and power dissipation on the MOSFETs.

In case the OutP pin is accidentally shorten to ground, the rail voltage will increase and end up exceeds V_{DHC_READY} . To avoid damaging the AC/DC converter, the possible peak output voltage, $V_{RAIL(peak)}$ can be roughly defined by the forward voltage of the LED strings and must set below the rated voltage of the components at the output of the AC/DC converter. In order to limit the power dissipation on the external MOSFETs, $V_{RAIL(peak)}$ is set to to no more than 10VDC higher than the forward voltage of the LED string. The following equations define the maximum output voltage of the AC/DC converter that can be pushed up by the LM3464/64A:

$$V_{RAIL(peak)} = V_{R1} + V_{REF(AC/DC)} = (R_1 \times I_{R1}) + V_{REF(AC/DC)}$$

for $V_{REF(AC/DC)} = 2.5V$

$$I_{R1} = \frac{V_{RAIL(peak)} - 2.5V}{R_1}$$

also since

$$I_{R1} = \frac{V_{REF(AC/DC)}}{R_{D2}} + \frac{V_{REF(AC/DC)} - V_{D1} - V_{outP(min)}}{R_{DHC}}$$

$$= \frac{2.5V}{R_{D2}} + \frac{2.5V - 0.5V - 0.3V}{R_{DHC}}$$

$$R_{DHC} = \frac{1.7V}{\left(I_{R1} - \frac{2.5V}{R_2}\right)}$$

As the system enters steady state, the rail voltage V_{RAIL} decreases and finally settles to an optimal level that maintains the maximum power efficiency of the system. The voltage level of V_{RAIL} under steady state can be calculated following this equation:

$$V_{RAIL} = V_{f(highest)} + V_{VDHC}$$

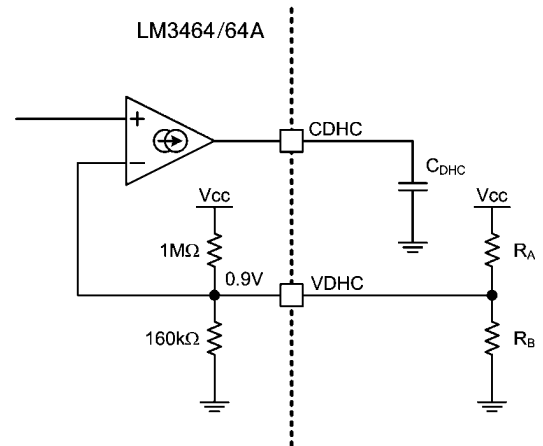
In the equation, V_{RAIL} is the rail voltage in steady state and $V_{f(highest)}$ is the total forward voltage of the LED string which carry the highest forward voltage among the LED stings.

V_{VDHC} is the voltage at the VDHC pin. This voltage decides the headroom voltage for the LM3464/64A driver stage and equals to the minimum V_{DRx} among the drain voltages of the MOSFETs under steady state. The VDHC pin is internally biased to 0.9V which also set the default voltage headroom to 0.9V. In applications that the output of the AC/DC converter contains more than 0.9V peak-to-peak ripple voltage, the voltage headroom can be increased by applying external bias to the VDHC pin.

DEFINING VOLTAGE HEADROOM

The voltage headroom is the rail voltage margin that reserve for precision linear current regulation under steady state. Under steady state, the voltage headroom is always minimized by the LM3464/64A to reduce power losses on the MOSFETs till one of the drain voltage (V_{DRx}) of the MOSFETs equals the voltage on VDHC pin (0.9V typical).

With external bias, the voltage of the VDHC pin can be adjusted up or down to adapt to different types of primary power supply. Figure 4 shows a simple resistor based biasing circuit that derives biasing voltage from the output of the internal voltage regulator, the VCC pin.



30115013

FIGURE 4. Adjusting Voltage Headroom with Resistors

With the additional resistors, the VDHC pin voltage is adjustable in between 0.8V and 2V. The values of R_A and R_B should be at least 10 times lower than the typical values of the internal resistor divider of the VDHC pin (see Figure 4). However, it is recommended not to set the voltage headroom too low because the ripple voltage of the primary power sup-

ply output may cause visible flicker due to insufficient voltage headroom. Thus the voltage headroom follows this equation:

$$V_{DHC} = \frac{160 \text{ k}\Omega // R_B}{160 \text{ k}\Omega // R_B + 1 \text{ M}\Omega // R_A} \times V_{CC}$$

where $0.8V < V_{DHC} < 2V$

SETTING LED CURRENT

The LED current regulating mechanism of the LM3464/64A driver stage contains four individual LED current regulators. Every LED current regulator is composed of an external MOSFET (Q₁-Q₄), a current sensing resistor (R_{ISNS1}-R_{ISNS4}) and an amplifier inside the LM3464/64A that monitors the feedback voltage from the current sensing resistor. The integrated amplifier compares the voltage across current sensing resistors (R_{ISNS1}-R_{ISNS4}) to a 200mV typical reference voltage and controls the gate voltage of the MOSFETs (Q₁-Q₄) to realize linear current regulations. Figure 5 shows the simplified circuit of the linear LED current regulators.

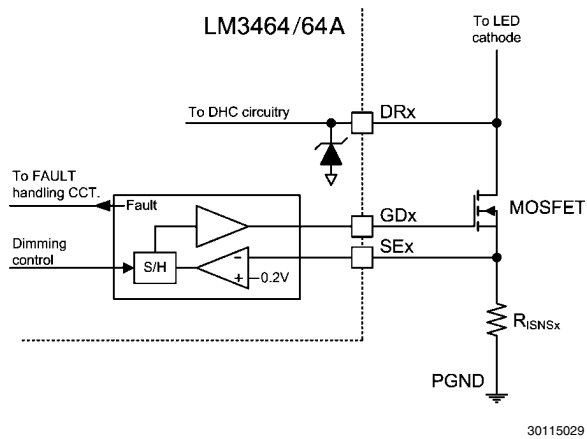


FIGURE 5. Linear LED Current Regulator

The driving currents of the LED strings are defined by the values of R_{ISNS1} to R_{ISNS4} individually. The LED current and the value of R_{ISNSx} are related by the following equation:

$$I_{LED} = \frac{200}{R_{ISNSx}} \text{ mA}$$

Since the accuracy of the LED currents are dependent on the tolerance of R_{ISNSx}, the R_{ISNSx} is recommended to be thick carbon film resistors with no more than 1% tolerance and adequate rated power to the desired LED current.

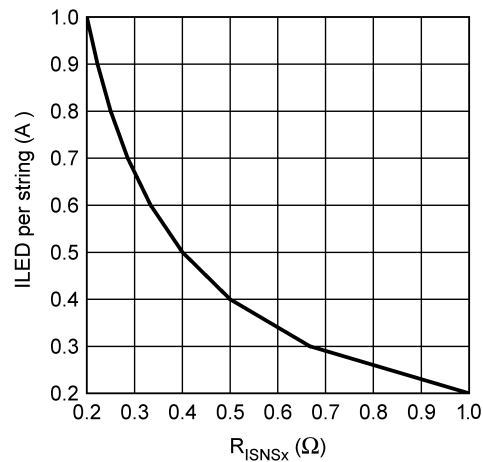


FIGURE 6. LED Current vs R_{ISNSx}

RESPONSE OF THE LM3464/64A DRIVER STAGE

In order to ensure good operation stability of the entire system, the response of the LM3464/64A circuitry must be set slower than the primary power supply. The response of the LM3464/64A is decided by the value of the capacitor, C_{DHC}. In general, a higher capacitance C_{DHC} will result in slower response of the LM3464/64A driver stage.

Generally, a first order integrator that consists of C_{DHC} and a transconductance amplifier with g_m = 76µmho and a ±15µA current limit as shown in Figure 7 defines the frequency response of the LM3464/64A driver stage.

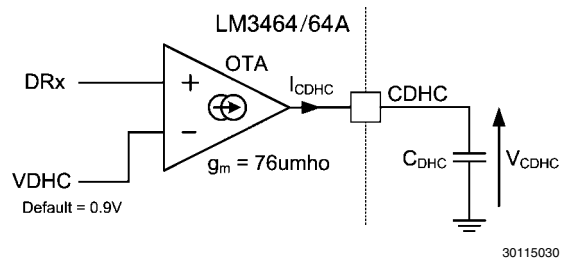


FIGURE 7. Simplified Circuit of the Frequency Response Setting Mechanism

The transconductance amplifier serves as a voltage to current converter that charges C_{DHC} with a current proportional to the difference in voltage between the DRx and VDHC pins.

As the voltage of the OutP pin is equal to V_{CC} - V_{CDHC}, the capacitance of C_{DHC} decides the rate of change of the OutP pin voltage and eventually limits the frequency response of the whole system. The higher capacitance the C_{DHC} has, the longer time the OutP pins takes for certain voltage change. Thus the value of C_{DHC} decides the response of the LM3464/64A driver stage.

If the response of the LM3464/64A driver stage is set faster than that of the primary power supply, the entire system will suffer from unstable operation. However, setting the response of the LM3464/64A driver stage unnecessarily slow will worsen transient performance of the system and false trigger the fault detection mechanism of the LM3464/64A. Practically, the minimum value of the C_{DHC} can be found out by means of 'try and error'. In most cases, a 1µF 16V ceramic

capacitor is a good starting point that sets the response of the LM3464/64A driver stage slow enough for initial trial.

The value of the C_{DHC} capacitor can be reduced to speed up the response of the LM3464/64A driver stage. Otherwise, in case the system is unstable with 1 μ F C_{DHC} , the capacitance of the C_{DHC} capacitor should be increased until the entire system get into stable operation.

This approach is effectively setting the cut-off frequency of the LM3464/64A driver stage lower than that of the primary power supply. Usually, setting the cut-off frequencies of the two stages apart can help avoiding unstable operation. The cut-off frequency of the LM3464/64A driver stage is governed by the follow equation:

$$f_{LM3464(-3\text{ dB})} = \frac{1}{2\pi(1.2 \times 10^6) \times C_{DHC}}$$

THERMAL FOLDBACK INTERFACE

The thermal foldback function of the LM3464/64A helps in reducing the average LED currents and prolonging the LED lifetime under high temperature. By applying a DC voltage to the Thermal pin, the average output current is adjustable from 100% down to a minimum value limited by the discharge time of the C_{THM} . The Thermal pin of the LM3464/64A is an analog input for thermal foldback control that accepts a DC voltage in the range of 0V to V_{CC} . The thermal foldback control circuitry reduces the average LED currents by means of PWM dimming as shown in Figure 8:

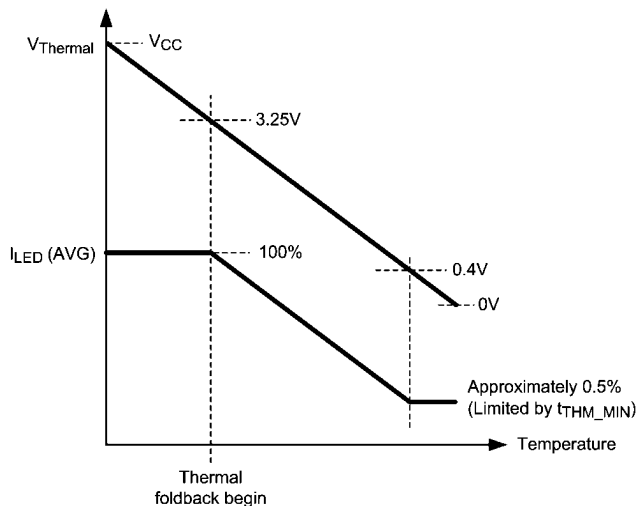


FIGURE 8. Average LED Current Reduces According to $V_{Thermal}$

The dimming frequency is defined by a sawtooth waveform that generated by charging and discharging the capacitor C_{THM} which connects across the Thermal_Cap pin and GND. The LM3464/64A charges the C_{THM} up to 3.25V with 50 μ A constant current and discharge the C_{THM} by pulling the Thermal_Cap pin to ground through a 125 Ω (typ.) resistor until the pin voltage reaches 0.4V ($V_{CTHM-MIN}$). When the voltages of the Thermal and DMIN pins are both below 0.4V, the minimum dimming on time equals the discharge time of the C_{THM} following the equation:

$$t_{THM_MIN} = 262 \times C_{THM} \text{ in second}$$

Thus the minimum dimming duty cycle for thermal foldback that being restricted by the discharge time of C_{THM} is approximately 0.5%:

$$D_{THM_MIN} = (t_{THM_MIN} \times f_{Thermal_foldback}) \times 100\%$$

Approximately equal to 0.5%

By comparing the voltage at the Thermal pin to the sawtooth voltage being generated at the Thermal_Cap pin of the LM3464/64A, a PWM dimming signal for thermal foldback is generated as shown in Figure 9:

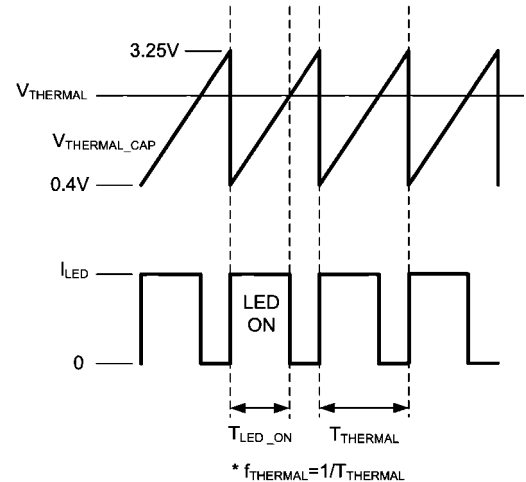


FIGURE 9. Signals Facilitating Thermal Foldback Control

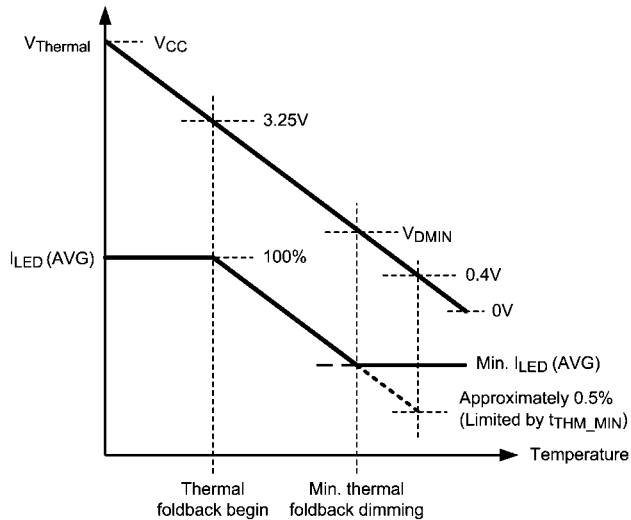
If the voltage at the Thermal pin is driven to exceed 3.25V, all output channels will be enabled with 100% thermal dimming duty cycle. If the Thermal pin voltage is set below 0.4V, all output channels will be disabled with 0% thermal dimming duty cycle. The dimming frequency and duty cycle with thermal foldback control are governed by the following equations:

$$f_{Thermal-foldback} = \frac{50 \mu A}{(3.25 - 0.4) \times C_{THM}}$$

$$D_{Thermal-foldback} = (T_{LED_ON} \times f_{Thermal-foldback}) \times 100\% \\ = [(V_{THERMAL} - 0.4) \times 35]\% \\ \text{for } 0.4 \leq V_{THERMAL} \leq 3.25V$$

SETTING MINIMUM THERMAL DIMMING DUTY CYCLE

In applications that need to guarantee minimum illuminance under high temperature environments, the minimum dimming duty cycle for thermal foldback may need to be limited. Such limit is defined by the voltage at the DMIN pin. When the Thermal pin voltage falls below the voltage at the DMIN pin, the thermal foldback dimming duty cycle will maintain at the level which set by the voltage of the DMIN pin (V_{DMIN}), as shown in Figure 10.



30115065

FIGURE 10. Thermal Foldback Control with Minimum Dimming Duty Cycle Limit

To define the minimum thermal dimming duty cycle, V_{DMIN} should be set in between 0.4V to 3.25V. The minimum duty cycle is governed by the following equation:

$$D_{MINIMUM} = [(V_{DMIN} - 0.4) \times 35]\%$$

for $0.4 \leq V_{DMIN} \leq 3.25V$

When V_{DMIN} is below 0.4V (e.g. connect to GND), the minimum thermal dimming duty cycle limit is disabled. In applica-

tions that thermal foldback control is not required, the DMIN pin can be tied to GND to reduce power consumption.

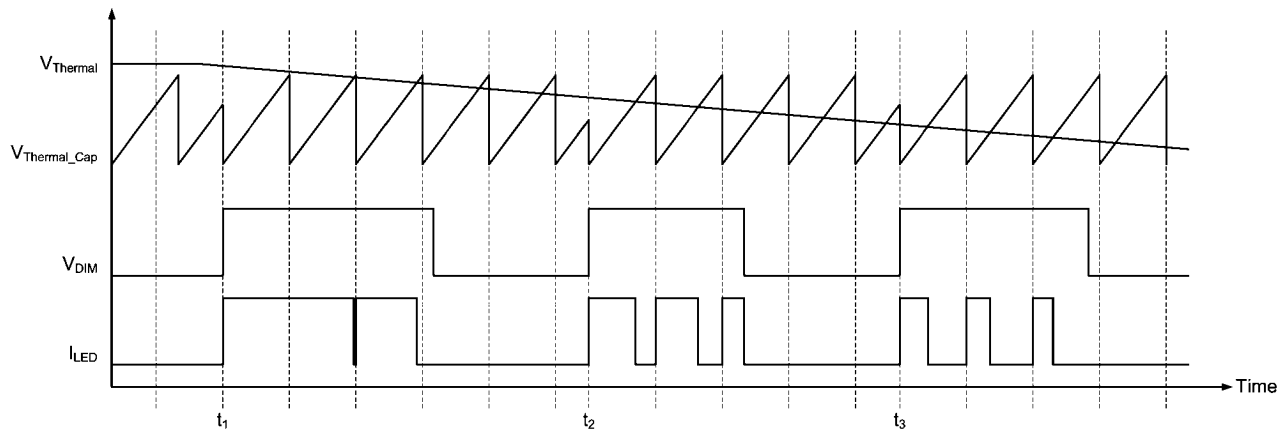
PWM DIMMING

The LM3464/64A provides a DIM pin that accepts TTL logic level signal for PWM dimming. When the DIM pin is pulled low, all LED current regulators will turn off while maintaining V_{CC} regulator and part of the internal circuitries operating. External pull up resistor is required if the DIM pin is driven by an open collector / drain driver. PWM dimming guarantees uniform color temperature of the light throughout the entire dimming range. The average current of every output channel is decided by the dimming duty cycle and follows the equation below:

$$I_{LED(AVG)} = D_{PWM} \times I_{LED}$$

PWM DIMMING CONTROL WITH THERMAL FOLDBACK

The PWM dimming control can coexist with thermal foldback by applying PWM dimming control signal and thermal control signal to the DIM and Thermal pins concurrently. Normally, the dimming frequency for thermal foldback control should be much higher than the frequency of the PWM dimming control signal. Figure 11 presents the relationship among $V_{Thermal}$, $V_{Thermal_Cap}$, V_{DIM} and I_{LED} . As shown in the Figure, when thermal foldback is functioning, the average output current can be further decreased linearly according to the duty cycle of the PWM dimming signal being applied to the DIM pin. In order to synchronize the dimming signals, the C_{THM} is discharged on every rising edge of the PWM dimming signal on DIM pin, notice as t_1 , t_2 and t_3 in Figure 11.



30115035

FIGURE 11. Thermal Foldback + PWM Dimming Control

LOW POWER STANDBY

The LM3464/64A will enter low power standby mode when the EN pin is pulled to GND. The EN pin is internally biased thus no external pull-up resistor or bias is required. Under standby mode, all the output channels are cut-off and part of the internal circuitries are disabled to maintain low power consumption. Upon the EN pin is pulled low, the OutP pin stops sinking current from the feedback node of the primary power stage. This causes the rail voltage fall back to $V_{RAIL(nom)}$ slowly as the output capacitors of the primary power supply are being discharged by the LEDs. Pulling the EN pin low will not disable the V_{CC} regulator. When the EN pin is

released (floating), the LM3464/64A exits low power standby mode and the startup sequence begins as described in Figure 3.

FAULT HANDLING and INDICATION

The LM3464/64A features a complete mechanism for fault handling and indication. The LM3464/64A detects LED failures and raises fault indication signal at the Faultb pin upon open or short circuits of LED strings, insufficient supply voltage and so on. In order to avoid false triggering the fault detection circuitry, the LM3464/64A features a timer for fault recognition. When a fault condition arises and sustains longer than the time constant preset by the capacitor, C_{FLT} , a fault

is confirmed. The Faultb pin is then pulled low as an indication. The time constant for fault detection is defined by the value of the capacitor connects across the FAULT_CAP pin and GND, C_{FLT} . Normally, a 2.2 nF C_{FLT} that set a 264 μ s delay time is suitable for most application. For those applications with slow response primary power supply, the value of C_{FLT} may need to increase accordingly. The time delay for fault detection is governed by the following equation:

$$T_{FAULT} = \frac{C_{FLT} \times 3.0V}{25 \mu A}$$

OPEN CIRCUIT OF LED STRINGS

Detection of LED open circuit is achieved by detecting the voltages of the SEx pin and the internal gate control signal being fed to the internal MOSFET gate driver. When a LED string is open circuit, the V_{SEx} pin is pulled down to below 30mV by the current sensing resistor. As V_{SEx} falls below its regulated level, the LM3464/64A increases the gate voltage of the corresponding MOSFET (V_{GDx}) in order to maintain current regulation. Thus, the requirement for LED open circuit is V_{SEx} below 30mV and internal gate voltage reaches its maximum (at V_{GDx} about 5V). When the requirement of LED open fault is fulfilled, the LM3464/64A begins to charge up the C_{FLT} . When the voltage of the FAULT_CAP reaches 3V, and the condition of open fault retains, an open fault is confirmed. After an open fault is confirmed, the failed channel(s) will be disabled and excluded from DHC loop. To reactivate the disabled channel(s), the EN pin can be pulled to GND for a soft reset or re-power the primary power supply for a system reset. Either reset methods results in a system restart with startup sequence shows in Figure 3.

SHORT CIRCUIT OF LED STRINGS

If any LED string experiences partially short circuit after normal system startup, the drain voltage (DRx) of the corresponding channel(s) will increase so as to maintain correct current regulation. When drain voltage increases up to 8.4V higher than the drain voltages of any other channels, the shortened channel will be latched off and excluded from the DHC loop to avoid further damages. Once a short fault is confirmed, the Faultb pin will be pulled low no matter it is due to failure of the power source or shortening of LED strings. When a short circuit of LED sting is confirmed, the failed channel(s) will be disabled and excluded from DHC loop. The disabled channels can be reactivated by either pulling the EN pin to GND or system re-powering.

DRx PIN OVER-VOLTAGE PROTECTION

The LM3464/64A features a over-voltage protection function that prevents damaging of the external MOSFETs due to short circuit of LED string(s). When the voltage of any DRx pin reaches 19V typical, the fault detection timer is triggered with the output current of the FAULT_CAP pin increases by 4 times ($I_{FAULT_CAP_OVP}$) and results in fault detection time 4 times shorter. If a over-voltage of any DRx pin is confirmed, the particular channel will be latched off and excluded from DHC loop until the EN pin is pulled low (soft reset) or system re-powering is undertaken.

DRIVING LESS THAN FOUR LED STRINGS

The LM3464/64A allows users to disable the unused output channels. Any output channel without a LED string connected or with DRx and SEx pins floating will be disabled at system

startup. A disabled channel will be excluded from the DHC loop and will not contribute headroom control signal to the LM3464/64A. This function is applicable to both single LM3464/64A and cascade operation modes.

EXPANDING NUMBER OF OUTPUT CHANNEL

The LM3464/64A can be cascaded to expand the number of output channel. Bases on the master-slave architecture, one of the LM3464/64A in the system must be set to master mode and the rest must be set to slave mode. Figure 14 shows an example application circuit that provides eight output channels.

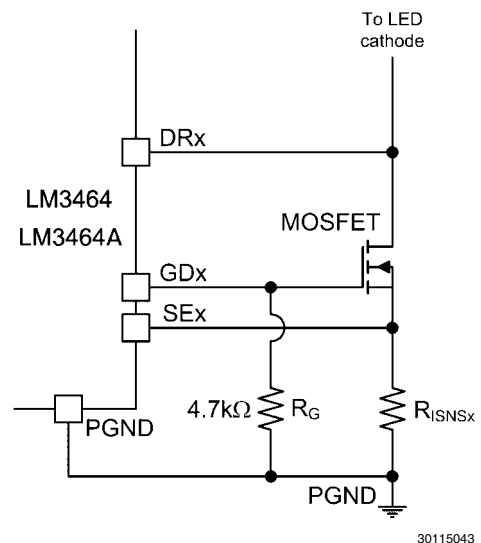
To enable cascade operation, the SYNC pin of the master LM3464/64A should connect to the DIM pin of the first slave device and similarly the SYNC pin of such slave device should connect to its down stream slave device for startup synchronization. In addition, the OutP pins of all the LM3464/64A have to tie up through a diode and resistor R_{DHC} to the voltage feedback node of the primary power supply to accomplish dynamic headroom control, as shown in Figure 14.

The slave devices can only be commanded by the master LM3464/64A. With the master and slave devices linked up, the information of startup synchronization, thermal foldback and PWM dimming controls are gathered by the master device and distribute stage by stage through the SYNC pin.

To set a LM3464/64A in master mode, the voltage of the VLedFB pin must be set below 3.25V. When the VLedFB pin is connected to VCC, the device is in slave mode. In slave mode, local thermal foldback and PWM controls are overridden by the packaged synchronization signal delivered from the master.

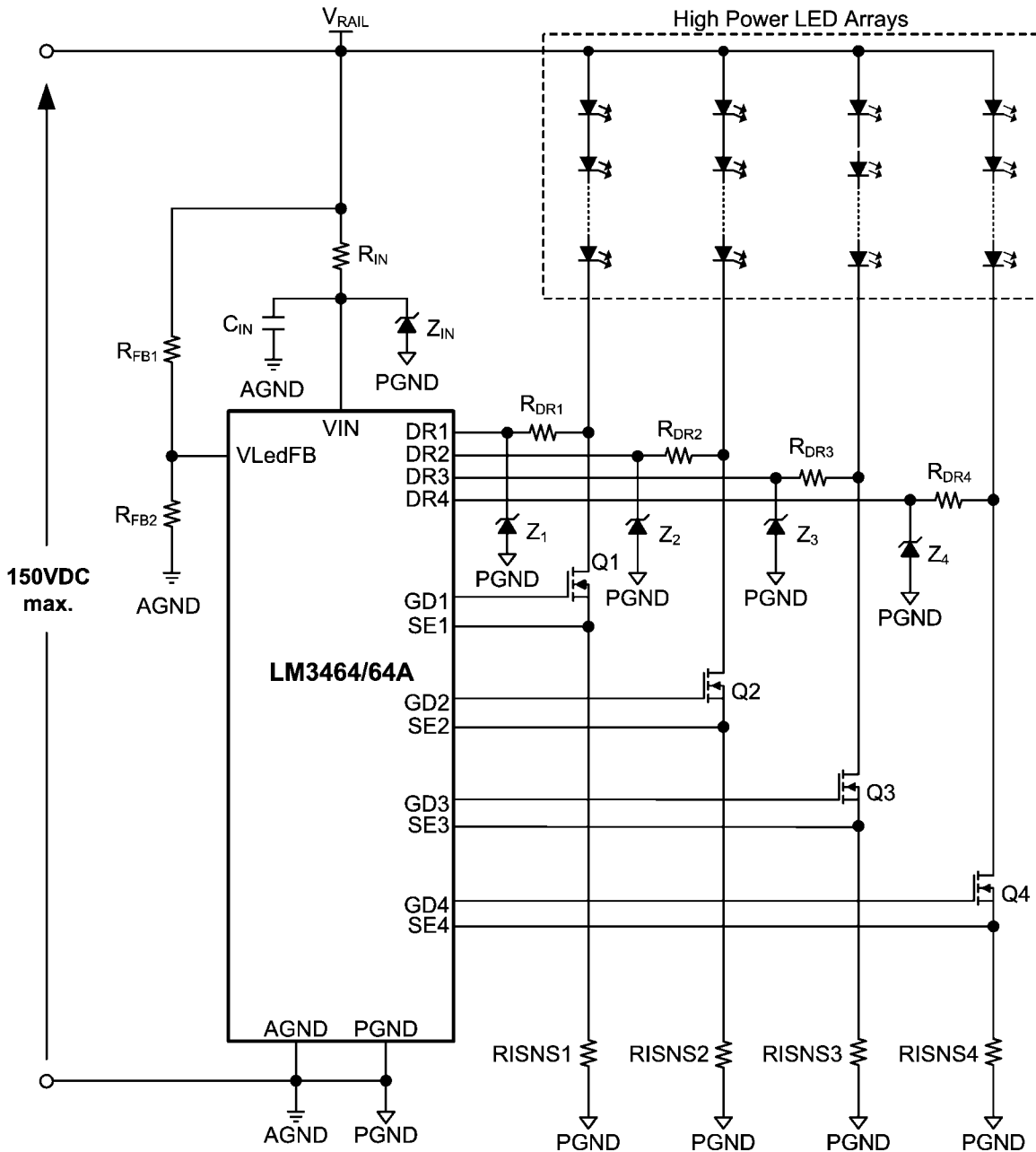
CONNECTION TO LED ARRAYS

When LEDs are connected to the LM3464/64A driver stage through long cables, the parasitic components of the cable harness and external MOSFETs may resonant and eventually lead to unstable system operation. In applications that the cables between the LM3464/64A driver circuit and LED light engine are longer than 1 meter, a 4.7k Ω resistor should be added across the GDx pins to GND as shown in Figure 12.



30115043

FIGURE 12. Additional Resistor Across GDx and SEx for Cable Harness Over 1m Long



30115061

FIGURE 13. Additional Voltage Clamping Circuits for $V_{RAIL(peak)} > 80V/95V$ (LM3464/64A)

APPLICATIONS WITH HIGH RAIL VOLTAGE

The normal operation voltage of the LM3464 and LM3464A are rated to 80V and 95V respectively, applying voltage over the operation voltage limit to the LM3464/64A can damage the device permanently. In applications that the rail voltage is higher than the operation voltage limited of the device (80V for LM3464, 95V for LM3464A), voltage clamping circuits must be added externally to ensure the voltage limits of all the pins of the LM3464/64A are not violated. Figure 13 shows a typical application circuit with 150V peak rail voltage.

In figure 13, Z_1, Z_2, Z_3, Z_4 and Z_{IN} are zener diodes for clamping the DRx pin voltage and input voltage (VIN pin) of the

LM3464/64A. The reverse voltage of the zener diodes must be below 80V for LM3464 and 95V for LM3464A. The resistors $R_{DR1}, R_{DR2}, R_{DR3}, R_{DR4}$ and R_{IN} are resistors for absorbing the voltage difference between the clamping voltage of the zener diodes and the rail voltage.

Calculating the Values of Z_x and R_{DRx} :

The resistance of the R_{DRx} must be properly selected according to the reverse current of the zener diode and input current of the DRx pins of the LM3464/64A to secure the allowable pin voltages are not violated. For instant, the DRx pins are required to clamp at 75V and a 500mW/75V zener diode CMHZ5267B from Central Semiconductor is used. The re-

verse current of the CMHZ5267B is specified 1.7mA at 75V zener voltage. The maximum allowable reverse current is 6.67mA as the power rating of the CMHZ5267B is 500mW.

Given that the input current of the DRx pins of the LM3464/64A at 100V is 63uA maximum, if the DRx pin voltage is below 100V the current flows into the DRx pin (I_{DRx}) is below 63uA. In order to reserve operation margin for component variations, I_{DRx} is assumed equal to 63uA in the following calculations.

Because $V_{RAIL(peak)}$ is the possible highest voltage at the DRx pins, the maximum resistance of R_{DRx} can be obtained following this equation:

$$R_{DRx} = \frac{V_{RAIL(peak)} - V_Z}{I_{DRx} + I_Z}$$

Where V_Z and I_Z are the reverse voltage and current of the zener diode Zx respectively.

For $V_{RAIL(peak)} = 150V$, the maximum value of R_{DRx} is:

$$\begin{aligned} R_{DRx(max)} &= \frac{150V - 75V}{63\mu A + 1.7mA} \\ &= 42.5k\Omega \end{aligned}$$

And the minimum value of R_{DRx} is:

$$\begin{aligned} R_{DRx(min)} &= \frac{150V - 75V}{63\mu A + 6.67mA} \\ &= 11.14k\Omega \end{aligned}$$

Thus, the value of R_{DRx} must be selected in the range:

$$11.14k\Omega \leq R_{DRx} \leq 42.5k\Omega$$

To minimize power dissipation on the zener diodes, a standard 42.2k Ω resistor can be used for the R_{DRx} . Because the resistors, R_{DRx} are used to absorb the power being introduced by the voltage difference between V_{RAIL} and V_{Zx} , the maximum power dissipation on every R_{DRx} equals to:

$$\begin{aligned} P_{RDRx(max)} &= \frac{(V_{RAIL(peak)} - V_Z)^2}{R_{DRx}} \\ &= \frac{(150V - 75V)^2}{42.2k\Omega} \\ &= 133mW \end{aligned}$$

Thus, a standard 42.2k Ω resistor with 0.25W power rating (1206 package) and 1% tolerance can be used.

Calculating the Values of Z_{IN} and R_{IN} :

Similar to the requirements of selecting the Zx and R_{DRx} , the voltage at the VIN pin of the LM3464/64A is clamped to 75V by a voltage clamping circuit consists of Z_{IN} and R_{IN} . Because the maximum operating and shut-down current ($V_{EN} < 2.1V$) are 3mA and 700uA respectively, in order to ensure the voltage of the VIN pin is clamped close to 75V even when the LM3464/64A is disabled, a 1.5W/75V zener diode CMZ5946B from Central Semiconductor is used to ensure adequate conduction current for Z_{IN} . The reverse current of the CMZ5946B is specified 5mA at 75V, so the allowable current flows through Z_{IN} is in between 5mA to 20mA.

The value of R_{IN} is governed by the following equations:

$$R_{IN} = \frac{V_{RAIL(peak)} - V_{ZIN}}{I_{IN} + I_{ZIN}}$$

Maximum value of R_{IN} :

$$R_{IN(max)} = \frac{150V - 75V}{3mA + 5mA} = 9.375k\Omega$$

Minimum value of R_{IN} :

$$R_{IN(min)} = \frac{150V - 75V}{3mA + 20mA} = 3.26k\Omega$$

So the value of R_{IN} must be in the range:

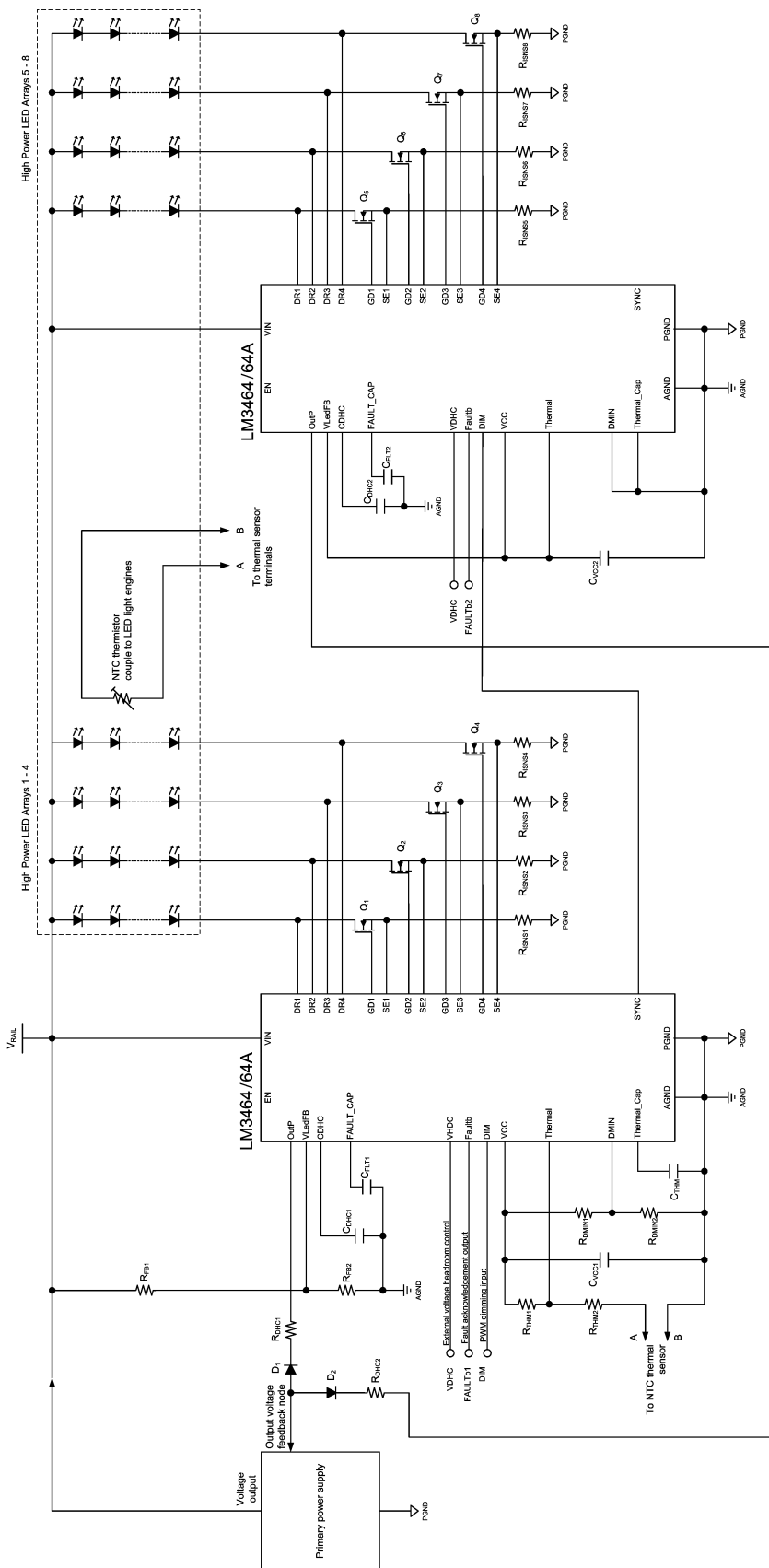
$$3.26k\Omega \leq R_{DRx} \leq 9.38k\Omega$$

To minimize power dissipations on both the Z_{IN} and R_{IN} , a standard 9.31k Ω resistor can be selected for the R_{IN} . Then the maximum power dissipation on R_{IN} is:

$$\begin{aligned} P_{RIN(max)} &= \frac{(V_{RAIL(peak)} - V_{ZIN})^2}{R_{IN}} \\ &= \frac{(150V - 75V)^2}{9.38k\Omega} = 600mW \end{aligned}$$

Thus, a standard 9.38k Ω resistor with 2512 package (1W) and 1% tolerance can be used.

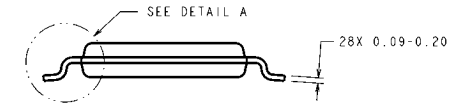
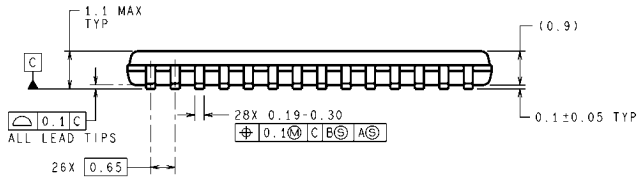
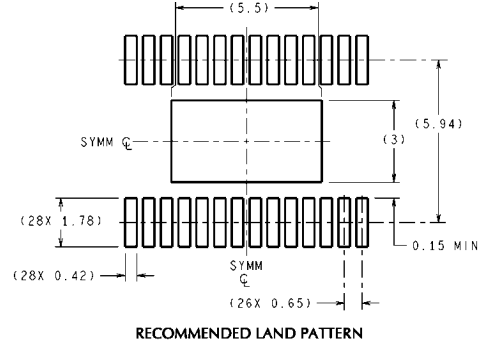
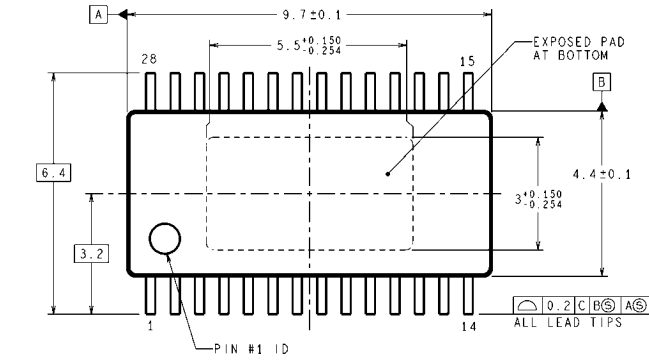
Additional Application Circuit



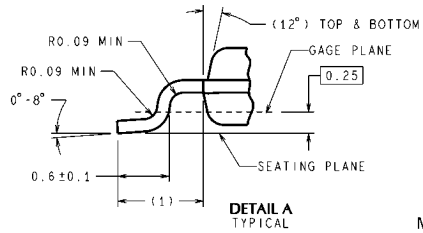
30115022

FIGURE 14. Cascade Operation with Thermal Foldback Control

Physical Dimensions inches (millimeters) unless otherwise noted



DIMENSIONS ARE IN MILLIMETERS
DIMENSIONS IN () FOR REFERENCE ONLY



28-Lead eTSSOP Package
NS Package Number MXA28A

MXA28A (Rev D)

Notes

LM3464/LM3464A

Notes

For more National Semiconductor product information and proven design tools, visit the following Web sites at:
www.national.com

Products		Design Support	
Amplifiers	www.national.com/amplifiers	WEBENCH® Tools	www.national.com/webench
Audio	www.national.com/audio	App Notes	www.national.com/appnotes
Clock and Timing	www.national.com/timing	Reference Designs	www.national.com/refdesigns
Data Converters	www.national.com/adc	Samples	www.national.com/samples
Interface	www.national.com/interface	Eval Boards	www.national.com/evalboards
LVDS	www.national.com/lvds	Packaging	www.national.com/packaging
Power Management	www.national.com/power	Green Compliance	www.national.com/quality/green
Switching Regulators	www.national.com/switchers	Distributors	www.national.com/contacts
LDOs	www.national.com/ldo	Quality and Reliability	www.national.com/quality
LED Lighting	www.national.com/led	Feedback/Support	www.national.com/feedback
Voltage References	www.national.com/vref	Design Made Easy	www.national.com/easy
PowerWise® Solutions	www.national.com/powerwise	Applications & Markets	www.national.com/solutions
Serial Digital Interface (SDI)	www.national.com/sdi	Mil/Aero	www.national.com/milaero
Temperature Sensors	www.national.com/tempensors	SolarMagic™	www.national.com/solarmagic
PLL/VCO	www.national.com/wireless	PowerWise® Design University	www.national.com/training

THE CONTENTS OF THIS DOCUMENT ARE PROVIDED IN CONNECTION WITH NATIONAL SEMICONDUCTOR CORPORATION ("NATIONAL") PRODUCTS. NATIONAL MAKES NO REPRESENTATIONS OR WARRANTIES WITH RESPECT TO THE ACCURACY OR COMPLETENESS OF THE CONTENTS OF THIS PUBLICATION AND RESERVES THE RIGHT TO MAKE CHANGES TO SPECIFICATIONS AND PRODUCT DESCRIPTIONS AT ANY TIME WITHOUT NOTICE. NO LICENSE, WHETHER EXPRESS, IMPLIED, ARISING BY ESTOPPEL OR OTHERWISE, TO ANY INTELLECTUAL PROPERTY RIGHTS IS GRANTED BY THIS DOCUMENT.

TESTING AND OTHER QUALITY CONTROLS ARE USED TO THE EXTENT NATIONAL DEEMS NECESSARY TO SUPPORT NATIONAL'S PRODUCT WARRANTY. EXCEPT WHERE MANDATED BY GOVERNMENT REQUIREMENTS, TESTING OF ALL PARAMETERS OF EACH PRODUCT IS NOT NECESSARILY PERFORMED. NATIONAL ASSUMES NO LIABILITY FOR APPLICATIONS ASSISTANCE OR BUYER PRODUCT DESIGN. BUYERS ARE RESPONSIBLE FOR THEIR PRODUCTS AND APPLICATIONS USING NATIONAL COMPONENTS. PRIOR TO USING OR DISTRIBUTING ANY PRODUCTS THAT INCLUDE NATIONAL COMPONENTS, BUYERS SHOULD PROVIDE ADEQUATE DESIGN, TESTING AND OPERATING SAFEGUARDS.

EXCEPT AS PROVIDED IN NATIONAL'S TERMS AND CONDITIONS OF SALE FOR SUCH PRODUCTS, NATIONAL ASSUMES NO LIABILITY WHATSOEVER, AND NATIONAL DISCLAIMS ANY EXPRESS OR IMPLIED WARRANTY RELATING TO THE SALE AND/OR USE OF NATIONAL PRODUCTS INCLUDING LIABILITY OR WARRANTIES RELATING TO FITNESS FOR A PARTICULAR PURPOSE, MERCHANTABILITY, OR INFRINGEMENT OF ANY PATENT, COPYRIGHT OR OTHER INTELLECTUAL PROPERTY RIGHT.

LIFE SUPPORT POLICY

NATIONAL'S PRODUCTS ARE NOT AUTHORIZED FOR USE AS CRITICAL COMPONENTS IN LIFE SUPPORT DEVICES OR SYSTEMS WITHOUT THE EXPRESS PRIOR WRITTEN APPROVAL OF THE CHIEF EXECUTIVE OFFICER AND GENERAL COUNSEL OF NATIONAL SEMICONDUCTOR CORPORATION. As used herein:

Life support devices or systems are devices which (a) are intended for surgical implant into the body, or (b) support or sustain life and whose failure to perform when properly used in accordance with instructions for use provided in the labeling can be reasonably expected to result in a significant injury to the user. A critical component is any component in a life support device or system whose failure to perform can be reasonably expected to cause the failure of the life support device or system or to affect its safety or effectiveness.

National Semiconductor and the National Semiconductor logo are registered trademarks of National Semiconductor Corporation. All other brand or product names may be trademarks or registered trademarks of their respective holders.

Copyright© 2011 National Semiconductor Corporation

For the most current product information visit us at www.national.com



National Semiconductor
Americas Technical
Support Center
Email: support@nsc.com
Tel: 1-800-272-9959

National Semiconductor Europe
Technical Support Center
Email: europe.support@nsc.com

National Semiconductor Asia
Pacific Technical Support Center
Email: ap.support@nsc.com

National Semiconductor Japan
Technical Support Center
Email: jpn.feedback@nsc.com

IMPORTANT NOTICE

Texas Instruments Incorporated and its subsidiaries (TI) reserve the right to make corrections, modifications, enhancements, improvements, and other changes to its products and services at any time and to discontinue any product or service without notice. Customers should obtain the latest relevant information before placing orders and should verify that such information is current and complete. All products are sold subject to TI's terms and conditions of sale supplied at the time of order acknowledgment.

TI warrants performance of its hardware products to the specifications applicable at the time of sale in accordance with TI's standard warranty. Testing and other quality control techniques are used to the extent TI deems necessary to support this warranty. Except where mandated by government requirements, testing of all parameters of each product is not necessarily performed.

TI assumes no liability for applications assistance or customer product design. Customers are responsible for their products and applications using TI components. To minimize the risks associated with customer products and applications, customers should provide adequate design and operating safeguards.

TI does not warrant or represent that any license, either express or implied, is granted under any TI patent right, copyright, mask work right, or other TI intellectual property right relating to any combination, machine, or process in which TI products or services are used. Information published by TI regarding third-party products or services does not constitute a license from TI to use such products or services or a warranty or endorsement thereof. Use of such information may require a license from a third party under the patents or other intellectual property of the third party, or a license from TI under the patents or other intellectual property of TI.

Reproduction of TI information in TI data books or data sheets is permissible only if reproduction is without alteration and is accompanied by all associated warranties, conditions, limitations, and notices. Reproduction of this information with alteration is an unfair and deceptive business practice. TI is not responsible or liable for such altered documentation. Information of third parties may be subject to additional restrictions.

Resale of TI products or services with statements different from or beyond the parameters stated by TI for that product or service voids all express and any implied warranties for the associated TI product or service and is an unfair and deceptive business practice. TI is not responsible or liable for any such statements.

TI products are not authorized for use in safety-critical applications (such as life support) where a failure of the TI product would reasonably be expected to cause severe personal injury or death, unless officers of the parties have executed an agreement specifically governing such use. Buyers represent that they have all necessary expertise in the safety and regulatory ramifications of their applications, and acknowledge and agree that they are solely responsible for all legal, regulatory and safety-related requirements concerning their products and any use of TI products in such safety-critical applications, notwithstanding any applications-related information or support that may be provided by TI. Further, Buyers must fully indemnify TI and its representatives against any damages arising out of the use of TI products in such safety-critical applications.

TI products are neither designed nor intended for use in military/aerospace applications or environments unless the TI products are specifically designated by TI as military-grade or "enhanced plastic." Only products designated by TI as military-grade meet military specifications. Buyers acknowledge and agree that any such use of TI products which TI has not designated as military-grade is solely at the Buyer's risk, and that they are solely responsible for compliance with all legal and regulatory requirements in connection with such use.

TI products are neither designed nor intended for use in automotive applications or environments unless the specific TI products are designated by TI as compliant with ISO/TS 16949 requirements. Buyers acknowledge and agree that, if they use any non-designated products in automotive applications, TI will not be responsible for any failure to meet such requirements.

Following are URLs where you can obtain information on other Texas Instruments products and application solutions:

Products

Audio	www.ti.com/audio
Amplifiers	amplifier.ti.com
Data Converters	dataconverter.ti.com
DLP® Products	www.dlp.com
DSP	dsp.ti.com
Clocks and Timers	www.ti.com/clocks
Interface	interface.ti.com
Logic	logic.ti.com
Power Mgmt	power.ti.com
Microcontrollers	microcontroller.ti.com
RFID	www.ti-rfid.com
OMAP Mobile Processors	www.ti.com/omap
Wireless Connectivity	www.ti.com/wirelessconnectivity

Applications

Communications and Telecom	www.ti.com/communications
Computers and Peripherals	www.ti.com/computers
Consumer Electronics	www.ti.com/consumer-apps
Energy and Lighting	www.ti.com/energy
Industrial	www.ti.com/industrial
Medical	www.ti.com/medical
Security	www.ti.com/security
Space, Avionics and Defense	www.ti.com/space-avionics-defense
Transportation and Automotive	www.ti.com/automotive
Video and Imaging	www.ti.com/video

TI E2E Community Home Page

e2e.ti.com

Mailing Address: Texas Instruments, Post Office Box 655303, Dallas, Texas 75265
Copyright © 2011, Texas Instruments Incorporated