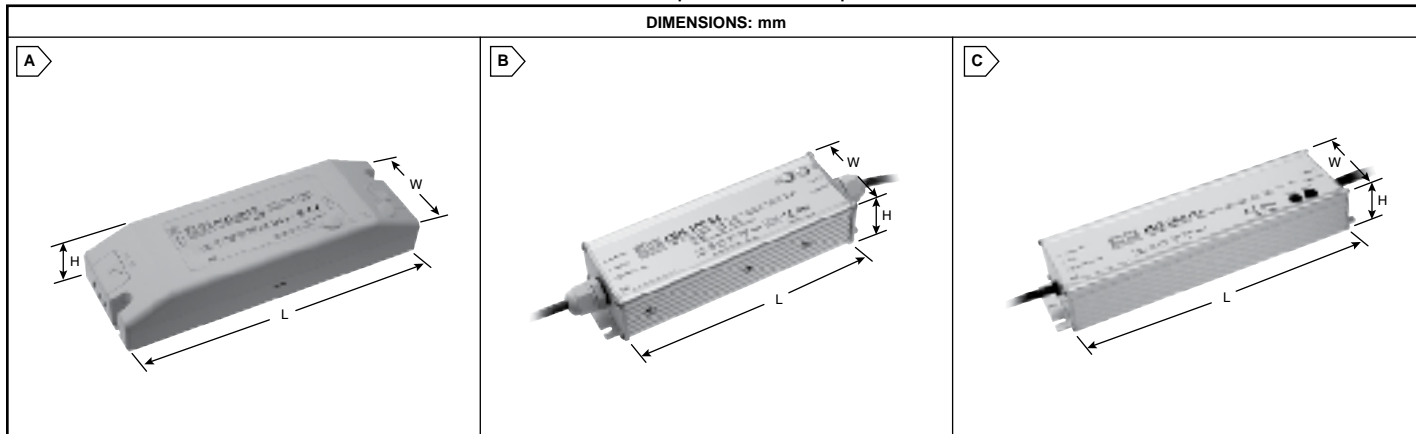


# MEAN WELL Switching Power Supplies

RoHS Compliant This product is RoHS compliant.



## DIMENSIONS: mm



### MEAN WELL 45W SINGLE OUTPUT PLC45 SERIES

**Features:**

- Input Range: 90-264VAC
- Fully isolated plastic case with terminal block style of I/O
- Adjustable output voltage and current level
- Protections: Short circuit, Overload, Overvoltage, Overtemperature
- Built-in active PFC function, comply with EN61000-3-2 class C
- Built-in constant current limiting circuit
- UL1310 class 2 power unit
- Suitable for LED lighting and moving sign applications
- Compliance to worldwide safety regulations for lighting
- Pass LPS



RoHS Compliant

For quantities of 50 and up, call for quote.

MOUSER STOCK NO.	Mean Well Part No.	Fig.	Output Voltage	Output Current	Power	Dimensions: mm			Price Each		
						L	W	H	1	10	20
709-PLC45-12	PLC-45-12	A	12V	3.8A	45.6W	181.5	62	35			
709-PLC45-15	PLC-45-15	A	15V	3A	45W	181.5	62	35			
709-PLC45-24	PLC-45-24	A	24V	1.9A	45.6W	181.5	62	35			
709-PLC45-27	PLC-45-27	A	27V	1.7A	45.9W	181.5	62	35			
709-PLC45-36	PLC-45-36	A	36V	1.25A	45W	181.5	62	35			

### MEAN WELL 100W SINGLE OUTPUT CEN100 SERIES

**Features:**

- Input Range: 90-295VAC
- Protections: Short circuit, Overload, Overvoltage, Overtemperature
- Output voltage and constant current level adjustable
- Built-in active PFC function
- IP66 design for indoor or outdoor installations
- UL1310 class 2 power unit
- Suitable for LED lighting and moving sign applications
- Compliance to worldwide safety regulations for lighting
- Suitable for damp/wet locations and outdoor applications



RoHS Compliant

For quantities of 50 and up, call for quote.

MOUSER STOCK NO.	Mean Well Part No.	Fig.	Output Voltage	Output Current	Power	Dimensions: mm			Price Each		
						L	W	H	1	10	20
709-CEN100-20	CEN-100-20	B	20V	4.8A	96W	193	62.5	40.5			
709-CEN100-24	CEN-100-24	B	24V	4A	96W	193	62.5	40.5			
709-CEN100-30	CEN-100-30	B	30V	3.2A	96W	193	62.5	40.5			
709-CEN100-36	CEN-100-36	B	36V	2.65A	95.4W	193	62.5	40.5			
709-CEN100-42	CEN-100-42	B	42V	2.28A	95.76W	193	62.5	40.5			
709-CEN100-48	CEN-100-48	B	48V	2A	96W	193	62.5	40.5			
709-CEN100-54	CEN-100-54	B	54V	1.77A	95.58W	193	62.5	40.5			

### MEAN WELL 240W SINGLE OUTPUT HLG240 SERIES

**Features:**

- Protections: Short circuit, Overload, Overvoltage, Overtemperature
- OPC point adjustable through output cable or internal potentiometer
- Suitable for LED lighting and moving sign applications
- Built-in active PFC function
- IP67/IP65 design for indoor or outdoor installations
- Compliance to worldwide safety regulations for lighting



RoHS Compliant

For quantities of 50 and up, call for quote.

MOUSER STOCK NO.	Mean Well Part No.	Fig.	Output Voltage	Output Current	Power	Dimensions: mm			Price Each		
						L	W	H	1	10	20
<b>• Input Range: 90-295VAC</b>											
709-HLG240-12A	HLG-240-12A	C	12V	16A	192W	244.2	68	38.8			
709-HLG240-15A	HLG-240-15A	C	15V	15A	225W	244.2	68	38.8			
709-HLG240-20A	HLG-240-20A	C	20V	12A	240W	244.2	68	38.8			
709-HLG240-24A	HLG-240-24A	C	24V	10A	240W	244.2	68	38.8			
709-HLG240-30A	HLG-240-30A	C	30V	8A	240W	244.2	68	38.8			
709-HLG240-36A	HLG-240-36A	C	36V	6.7A	241.2W	244.2	68	38.8			
709-HLG240-42A	HLG-240-42A	C	42V	5.72A	240.2W	244.2	68	38.8			
709-HLG240-48A	HLG-240-48A	C	48V	5A	240W	244.2	68	38.8			
709-HLG240-54A	HLG-240-54A	C	54V	4.45A	240.3W	244.2	68	38.8			
<b>• Input Range: 90-305VAC</b>											
709-HLG240H-12A	HLG-240H-12A	C	12V	16A	192W	244.2	68	38.8			
709-HLG240H-15A	HLG-240H-15A	C	15V	15A	225W	244.2	68	38.8			
709-HLG240H-20A	HLG-240H-20A	C	20V	12A	240W	244.2	68	38.8			
709-HLG240H-24A	HLG-240H-24A	C	24V	10A	240W	244.2	68	38.8			
709-HLG240H-30A	HLG-240H-30A	C	30V	8A	240W	244.2	68	38.8			
709-HLG240H-36A	HLG-240H-36A	C	36V	6.7A	241.2W	244.2	68	38.8			
709-HLG240H-42A	HLG-240H-42A	C	42V	5.72A	240.2W	244.2	68	38.8			
709-HLG240H-48A	HLG-240H-48A	C	48V	5A	240W	244.2	68	38.8			
709-HLG240H-54A	HLG-240H-54A	C	54V	4.45A	240.3W	244.2	68	38.8			