



10W LED Driver with 336mA Constant Current PDA010N LED Power Supply with Triac Dimming



Features

- Triac Dimming
- RoHS Compliant
- Over-Voltage, Short & Open Circuit Protection
- Constant Current Output
- High Efficiency
- AC input 100-132VAC
- Brownout/Brownout Recovery
- UL1310 and UL8750 Compliant
- Limited Power Source
- IP65 Rated for Indoor/Outdoor Use
- Power Factor Correction

Applications

- Indoor Lighting
- Outdoor Lighting

Safety Approvals

- cUL/UL

Mechanical Characteristics

- Length: 73.5mm (2.89in)
- Width: 61.2mm (2.41in)
- Height: 25.3mm (1.00in)
- Weight: 250g (8.82oz)

Output Specifications

Model	DC Output Voltage Range			Output Current Range			Max Power
	Min.	Typ.	Max.	Min.	Typ.	Max.	
PDA010N-336G	25.96V	28.92V	30.02V	319.2mA	336mA	352.8mA	10W

Phihong is not responsible for any error, and reserves the right to make changes without notice. Please visit our website at www.phihong.com for the most up-to-date specifications and contact information.

INPUT:

AC Input Voltage
108 to 132V AC

Nominal AC Input Voltage
120VAC

Leakage Current
<0.5mA at 120VAC

Maximum Input Current
≤220mA at 108VAC, 60Hz

AC Inrush Current
<5A at 120VAC, 60Hz

OUTPUT:

Total Output Power
10.6W maximum

Efficiency
>75% at nominal input voltage, full load

Power Factor
≥0.9 at nominal input voltage, full load

Ripple
202mA p-p

Turn on/off Time
0.5 seconds maximum at nominal AC input

ENVIRONMENTAL:

Operating Temperature -20 to +65°C
Storage Temperature -40 to +85°C

Operating Humidity 10 to 95%
Storage Humidity 05 to 95%

Warranty
5 Years

MTBF
20K Hours minimum at max load and ambient 50°C

Dimming

Suitable for Triac dimming without flicker, dimming range relies on dimmer conduction angles, see list of dimmers on following page

EMC

EN55015, FCC 47 Part 15 Class B

Immunity

EN61000-4-2
EN61000-4-3
EN61000-4-4
EN61000-4-5
EN61000-4-6
EN61000-4-8
EN61000-4-11
EN61000-3-2 Class C

Isolation Test

Primary to Secondary: 3000VAC, <5mA, 1 minute

Insulation Resistance

Primary to Secondary: 500VDC, >5M ohm, 1 minute

FEATURES:

Input Over Current Protection

The input power line will be fused with a 2W / 22 Ohm fuse resistor

Short Circuit

Auto restart without damage

Output Overvoltage Protection

Output should not exceed 36V, auto shut down

Open Circuit Protection

Once the circuit is opened, the output voltage should be less than 36V at nominal AC input conditions

Input / Output Connection

2-pin terminal block

Position	Terminal Color	Gauge	Length
Line	Black	AWG18	102mm±10
Neutral	White	AWG18	102mm±10
Vout+	Red	AWG22	204mm±10
Vout-	Black	AWG22	204mm±10

Input / Output Wires

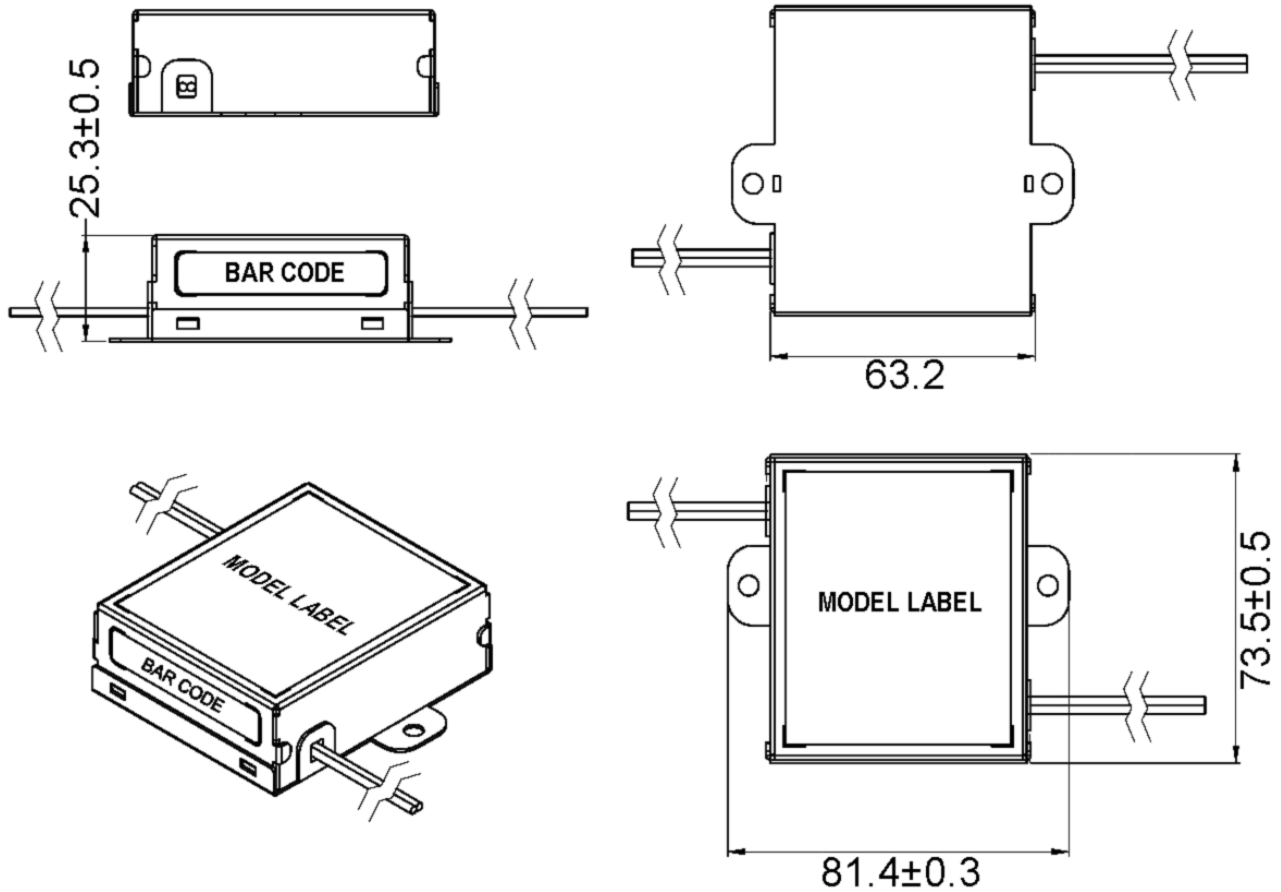
Solid or stranded wires

Ingression Protection

IP65

Mounting Provision

Screw mounting, accessible without opening unit



DIMMER LIST:

Brand	Model
Leviton	IPI06-1 LM Slide Dimmer 600W
Leviton	RPI06-1 LW Rotary Dimmer 600W
Leviton	6161-W 500W
Leviton	VPI06-1 LW – DECORA 600W
Lutron	S-600PR-LA 600W
Lutron	MAW-600H-WH – LUTRON DIGITAL FADE
Lutron	DVW-603PGH-LA
Lutron	LG-600PH-WH
Pass & Seymour	DR703PLAV 700W
Pass & Seymour	LSLV603PWV

*Dimmer List may be updated from time to time