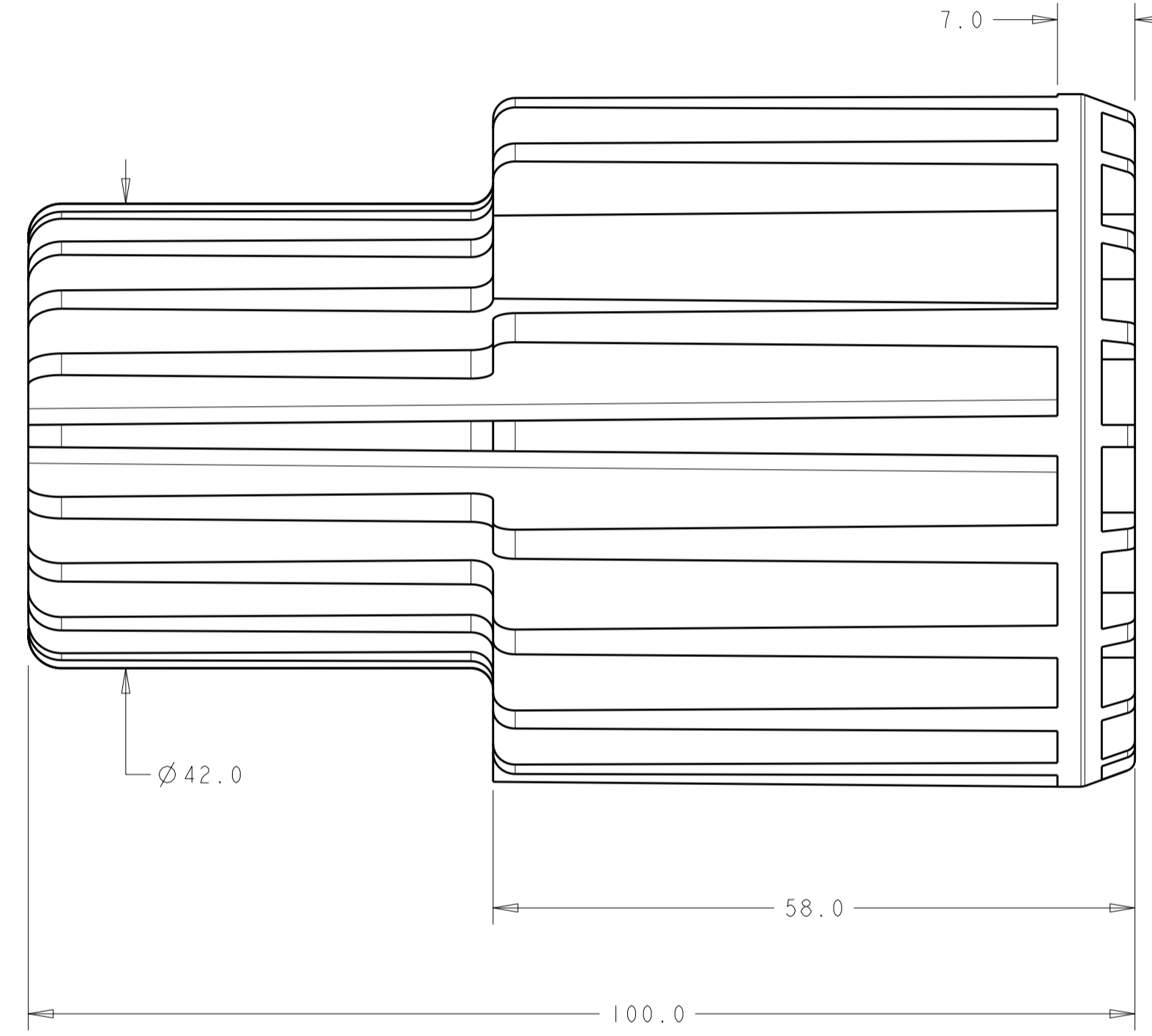
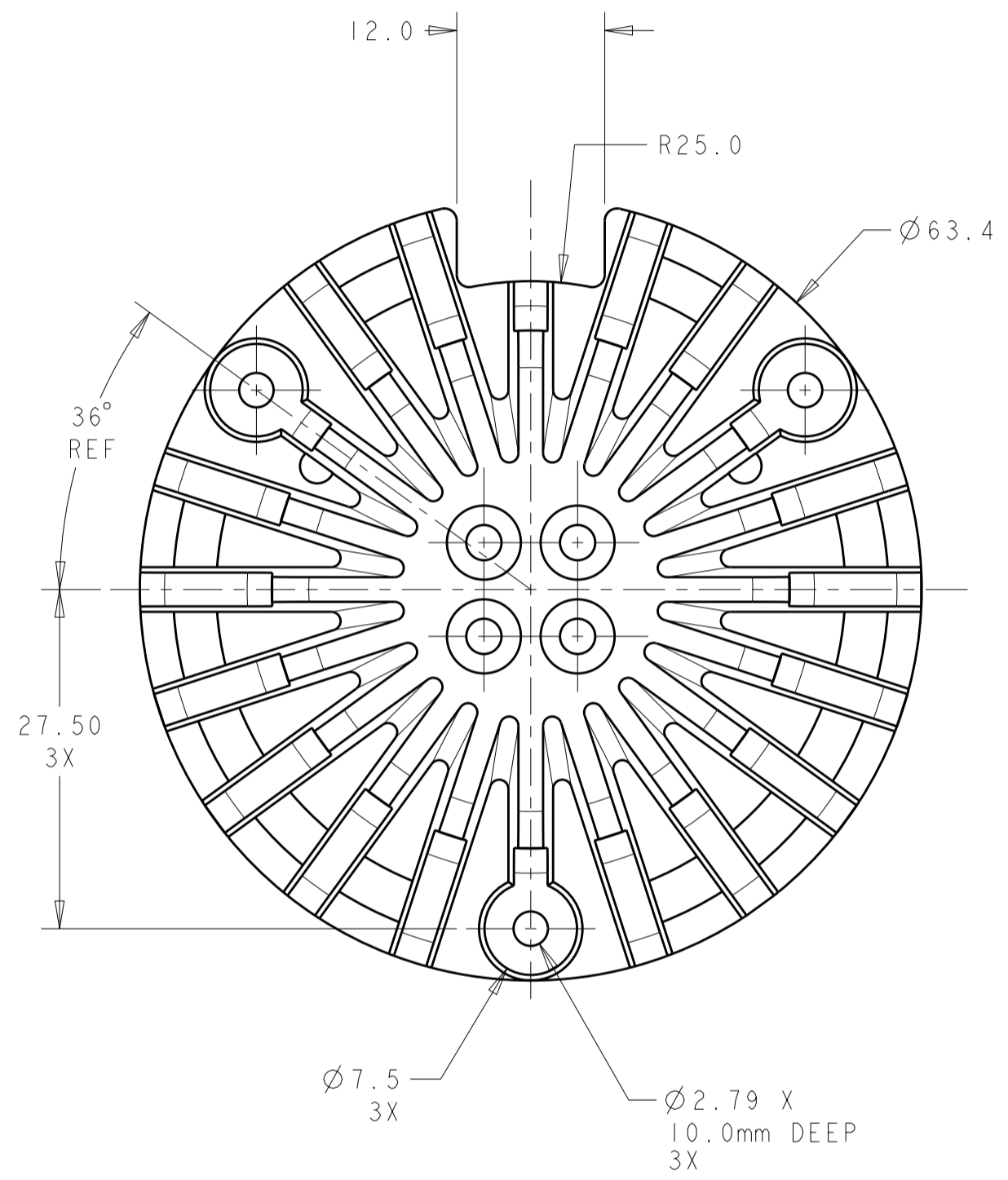
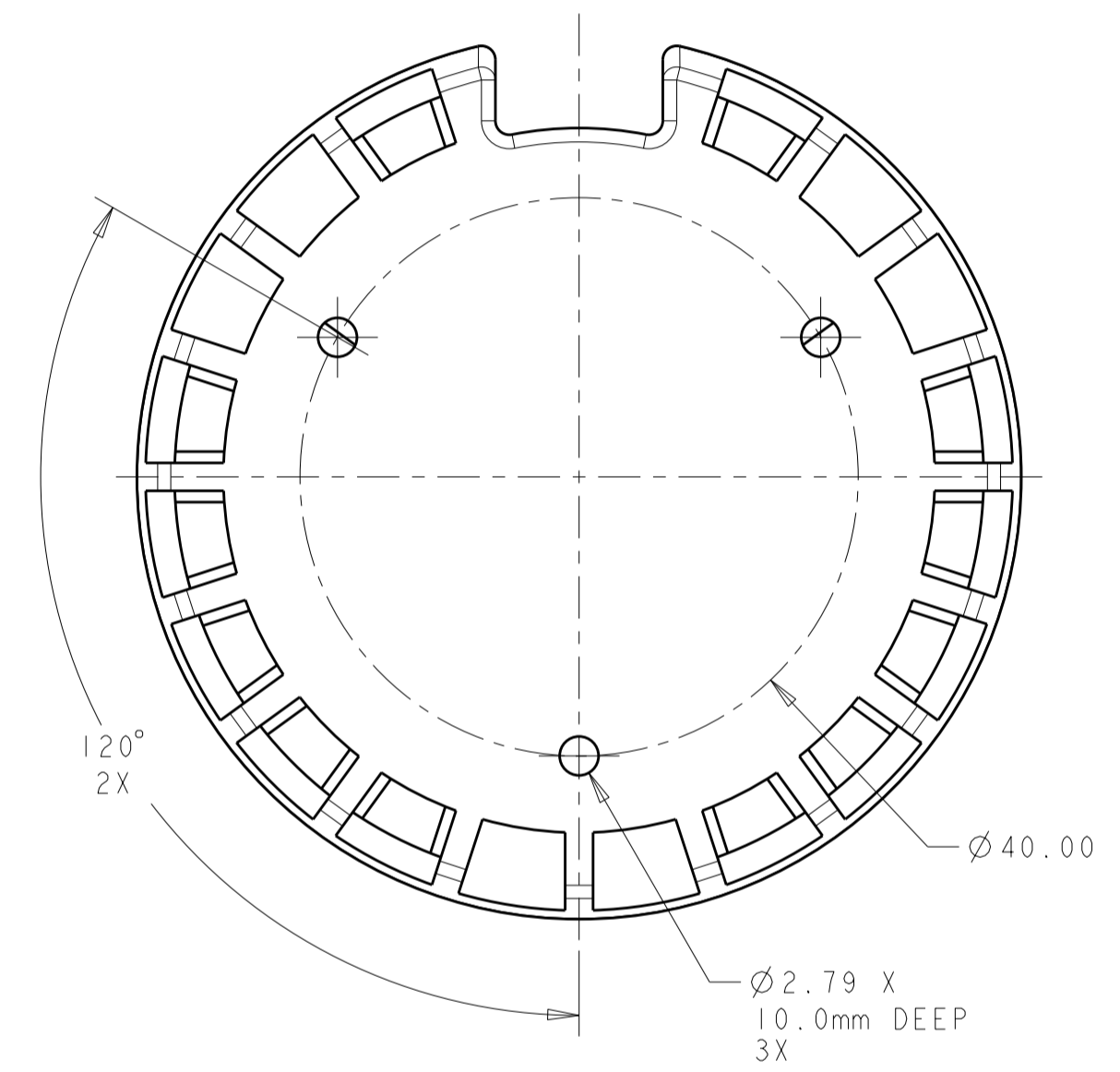


THIS DRAWING IS UNPUBLISHED. RELEASED FOR PUBLICATION 20
 © COPYRIGHT 20 BY TYCO ELECTRONICS CORPORATION. ALL INTERNATIONAL RIGHTS RESERVED.

REVISIONS							
LOC	DIST	P	LTR	DESCRIPTION	DATE	DWN	APVD
-	-		1	PROPOSED	14SEP2010	CD	MM
			2	UPDATE VIEWS;ADD -2 VERSION	05JAN2011	WVS	MM



- 1 MATERIAL:
-HEAT SINK: ALUMINUM; BLACK ANODIZED (OPTIONAL)
- 2. MUST COMPLY WITH DIRECTIVE 2002/95/EC (ROHS)



TYCO ELECTRONICS
 CONFIDENTIAL
 AND PROPRIETARY

PROPOSED DESIGN
 NOT PRODUCTION TOOLED

DESIGN IS SUBJECT TO
 CHANGE WITHOUT NOTICE

AS CAST	2154170-2
BLACK	2154170-1
FINISH	PART NUMBER

THIS DRAWING IS A CONTROLLED DOCUMENT FOR TYCO ELECTRONICS CORPORATION. IT IS SUBJECT TO CHANGE AND THE CONTROLLING ENGINEERING ORGANIZATION SHOULD BE CONTACTED FOR THE LATEST REVISION.		DWN C. DAILY 14SEP2010	Tyco Electronics Corporation Harrisburg, PA 17105-3608	
DIMENSIONS: mm		CHK M. STOLIER 4SEP2010	APVD -	
TOLERANCES UNLESS OTHERWISE SPECIFIED: 0 PLC ±- 1 PLC ±0.2 2 PLC ±0.13 3 PLC ±- 4 PLC ±- ANGLES ±3° FINISH		PRODUCT SPEC -	NAME HEAT SINK, CN58 NEVALO	
MATERIAL -		APPLICATION SPEC -	SIZE A200779	CAGE CODE C-2154170
CUSTOMER DRAWING		WEIGHT -	DRAWING NO 2154170	RESTRICTED TO -
		SCALE 2:1	SHEET 1	OF 1
			REV 2	

Mouser Electronics

Related Product Links

[571-2154170-1 - Tyco Electronics 2154170-1](#)