

InfoVue™ TFT LCD Modules with Optional Touch Screen



New InfoVue™ TFT LCD Modules Feature Extended Temperature Range, Thin Profile and LED Backlight

Compatible with standard LCD drivers, Lumex's new InfoVue™ TFT family of full color graphic display technology comes in both standard and touchscreen formats and is ideal for a wide range of applications. This TFT technology includes complementary product integration support that is unparalleled in the industry. Our Technical Design Specialists can integrate TFT technology with touch screens, switches, connectors, cable covers, heaters, custom daughter boards and other key components to create solutions that maximize performance and efficiency in each individual application.

Features:

- Available in 3.5", 4.3" and 5.7" diagonal screen sizes
- Standard and touch-screen formats
- Extended temperature range -20°C ~ +70°C
- Thin profile, starting at an industry leading 3mm width
- Enhanced color performance / LED backlight

Sample Applications:

- Smart Meter Displays
- Refrigerator Displays
- Medical Monitors
- Keypads and Access Panels

Markets:

- Industrial Controls
- Medical Devices
- Security Applications
- Appliances
- Communications Equipment

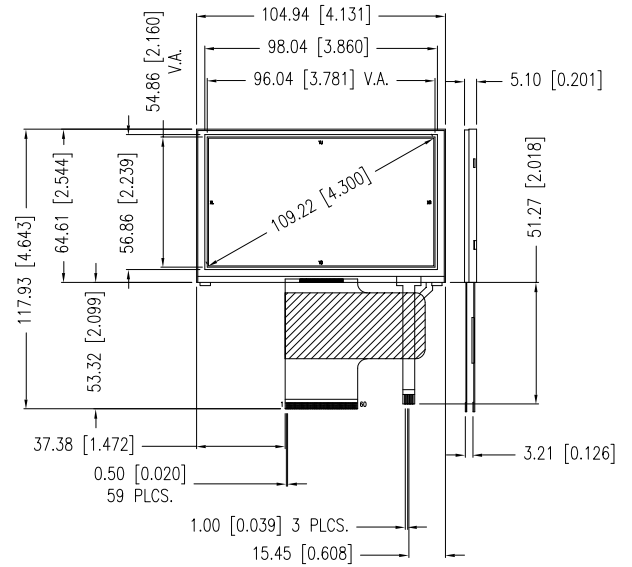
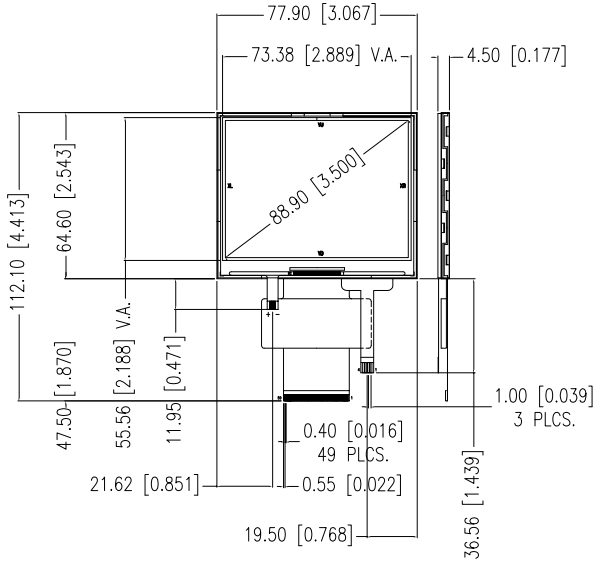
LUMEX®
Creating LED and LCD Solutions Together™

InfoVue™ TFT LCD Modules with Optional Touch Screen



3.5" Module - LCT-H320240M35WT

4.3" Module - LCT-H480272M43W1T



5.7" Module - LCT-H320240M57WT

7.0" Module - LCT-H800480M70W1T

