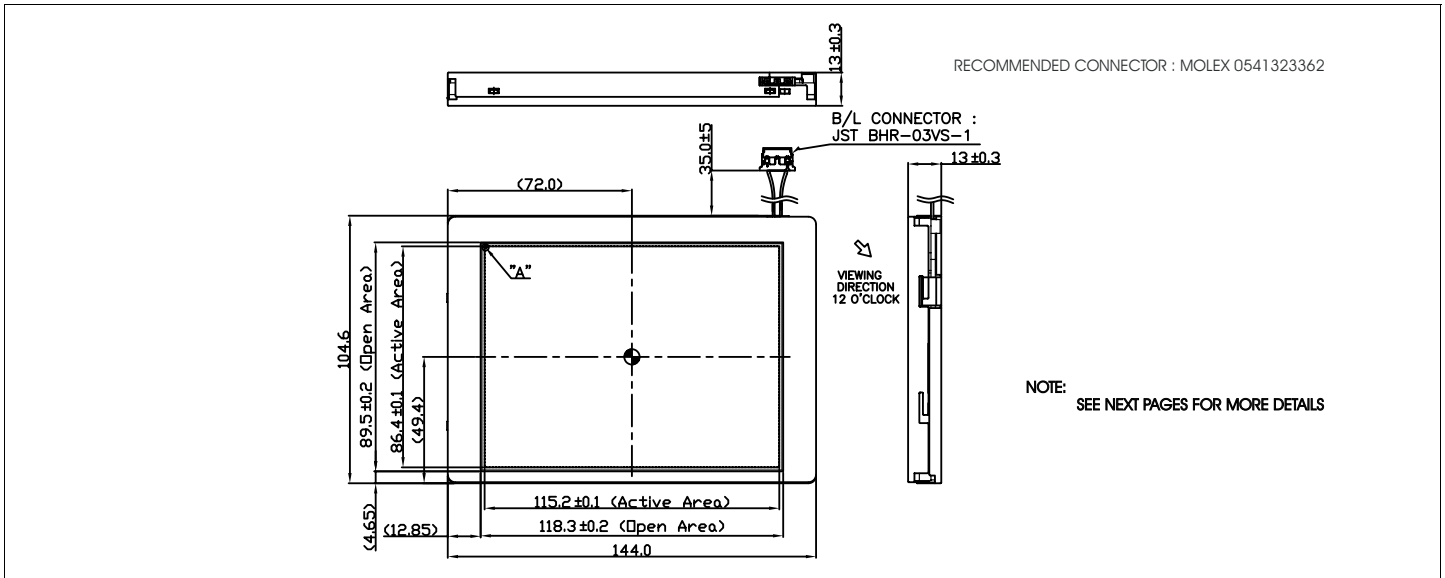


HDA570S-F

Dimensional Drawing

5.7" , QVGA (TFT) Color Graphics , CCFL Backlight



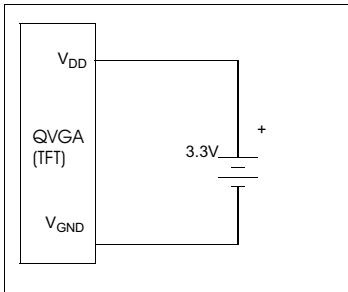
Features

- Viewing Angle(U/D/R/L).....60/60/50/40 degrees
- High Contrast.....350:1
- Fast Response Time (Tr+Tf).....50 msec
- Built-in Controller.....none
- Touch screenoptional

Physical Data

- Module Size.....144.0W x104.6H x13.0T mm
- Viewing Area Size.....115.2W x86.4 H mm
- Dot Pitch.....0.12W x 0.36H mm
- Weight.....192g

Power Supply



Electrical Characteristics (V_{DD}=3.3±0.125V 25°C)

PARAMETER	SYM	CONDITION	MIN	TYP	MAX	UNIT
OPERATING VOLTAGE	V _{DD}	-	3.0	3.3	3.6	V
OPERATING VOLTAGE CCFL	V _{CCFL}	I = 5 mArms	745-	825	905	Vrms
INPUT HIGH VOLTAGE	V _{IH}		0.7*V _{DD}	-	V _{DD}	V
INPUT LOW VOLTAGE	V _{IL}		0	-	0.3*V _{DD}	V
OPERATING CURRENT	I _{DD}		-	72	-	mA
OPERATING CURRENT CCFL	I _{CCFL}		4	5	6.0	Arms
POWER CONSUMPTION	P _L		-	240	-	mW
BRIGHTNESS	L	Average	400	500	-	cd/m ²

Pin Connections

PIN NO.	SYMBOL	FUNCTION	
1	GND	-	Ground Pin
2	CK	H/L	Data Sampling Clock
3	Hsync	L	Horizontal Sync.
4	Vsync	L	Vertical Sync.
5	GND	-	Ground Pin
6	R0	H/L	Red Data Signal (LSB)
7	R1	H/L	Red Data Signal
8	R2	H/L	Red Data Signal
9	R3	H/L	Red Data Signal
10	R4	H/L	Red Data Signal
11	R5	H/L	Red Data Signal (MSB)
12	GND	-	Ground Pin
13	G0	H/L	Green Data Signal (LSB)
14	G1	H/L	Green Data Signal
15	G2	H/L	Green Data Signal
16	G3	H/L	Green Data Signal
17	G4	H/L	Green Data Signal
18	G5	H/L	Green Data Signal (MSB)
19	GND	-	Ground Pin
20	B0	H/L	Blue Data Signal (LSB)
21	B1	H/L	Blue Data Signal
22	B2	H/L	Blue Data Signal
23	B3	H/L	Blue Data Signal
24	B4	H/L	Blue Data Signal
25	B5	H/L	Blue Data Signal
26	GND	-	Ground Pin
27	DENAB	L	Data Enable Input
28	VDD	-	3.3V Power Supply
29	VDD	-	3.3V Power Supply
30	RL	H/L	Horizontal Display Mode
31	UD	H/L	Vertical Display Mode
32	NC	-	No Connection
33	GND	-	Ground Pin

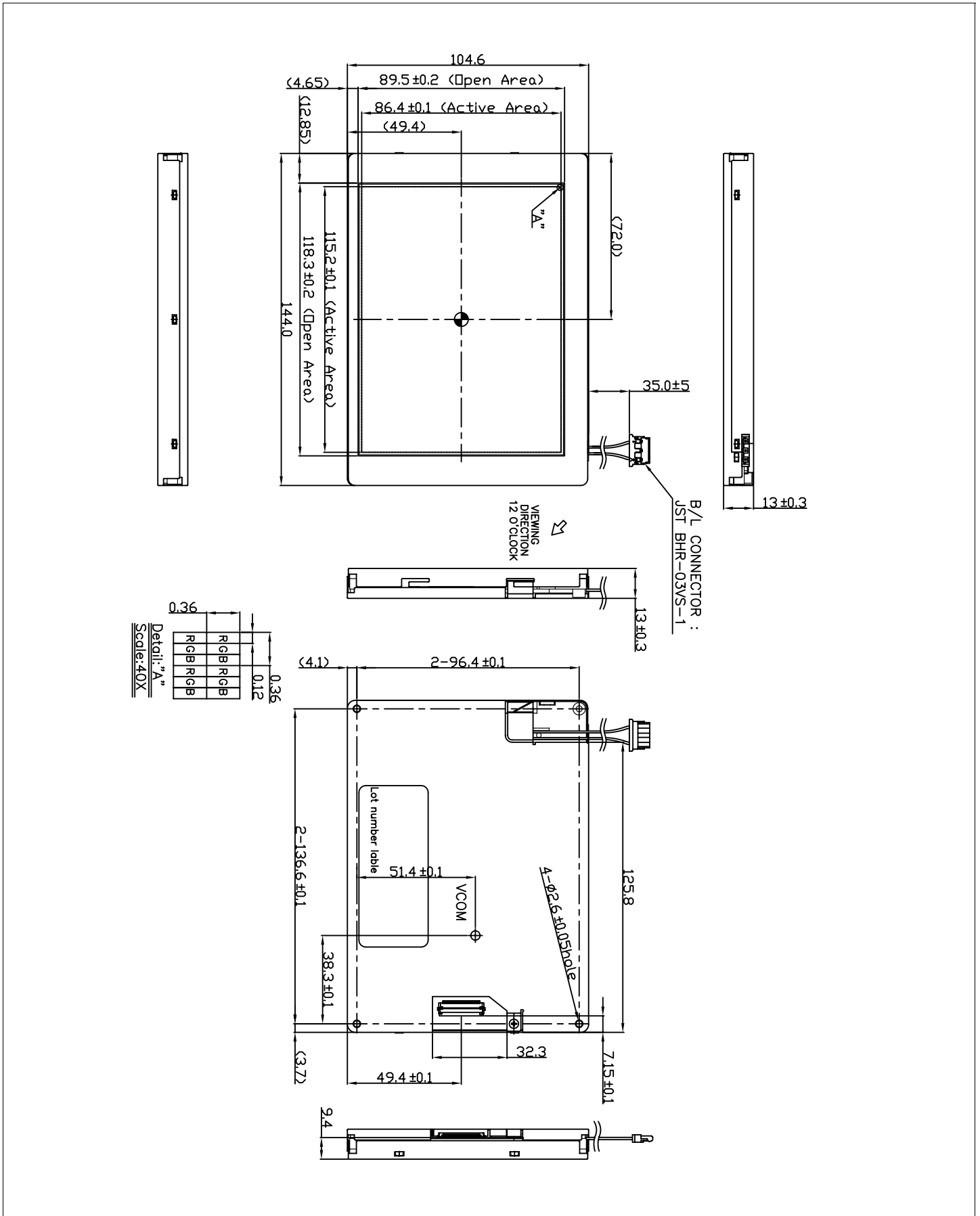
Absolute Maximum Ratings

PARAMETER	SYMBOL	MIN	MAX	UNIT
SUPPLY VOLTAGE	V _{DD} AV _{DD}	-0.3	4.3	V
INPUT VOLTAGE	V _{IN}	-0.3	V _{DD} + 0.3	V
OPERATING TEMPERATURE	T _{OP}	-20	+70	°C
STORAGE TEMPERATURE	T _{STG}	-30	+80	°C

HDA570S-F

Dimensional Drawing

5.7" , QVGA (TFT) Color Graphics , CCFL Backlight



HDA570ST-F

Dimensional Drawing

5.7" , QVGA (TFT), With Touch Screen, CCFL Backlight

With TOUCH SCREEN

TOUCH SCREEN connector : KYOCERA-ELCO 046227004100829+

