

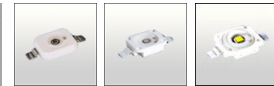
Titanium-3 Lenses for Dragon LEDs



TITANUM-3 S



TITANUM-3 M



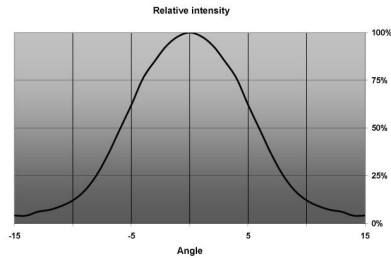
- Use with Osram Dragon series of white and monochromate LEDs
- Lens material optical grade PMMA with high UV and temperature resistance (105°C/220°F)
- High optical efficiency, >85%
- Diameter 50 mm (MR16)
- Use of sub lens gives a smooth, pleasant beam pattern
- Mechanical CAD models available upon request

LENS TYPES

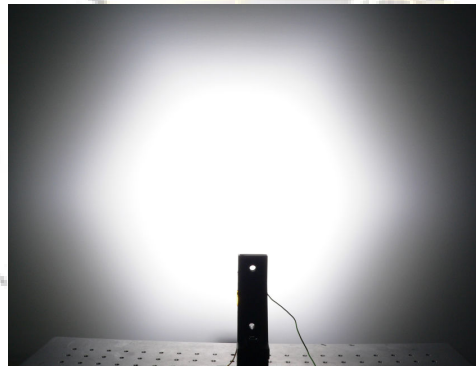
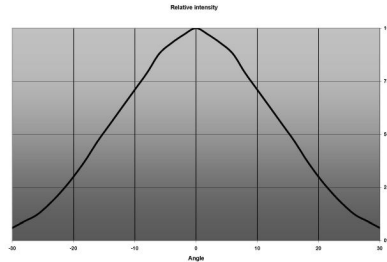
| NAME | ORDERING CODE | FWHM Angle |
|-------------------|---------------------|------------|
| Titanium-3 spot | C10268_Titanum-3-SS | ±7° |
| Titanium-3 medium | CA10368_Titanum-3-M | ±15° |

MEASUREMENT DATA & PHOTOGRAPHS

TITANUM-3-S

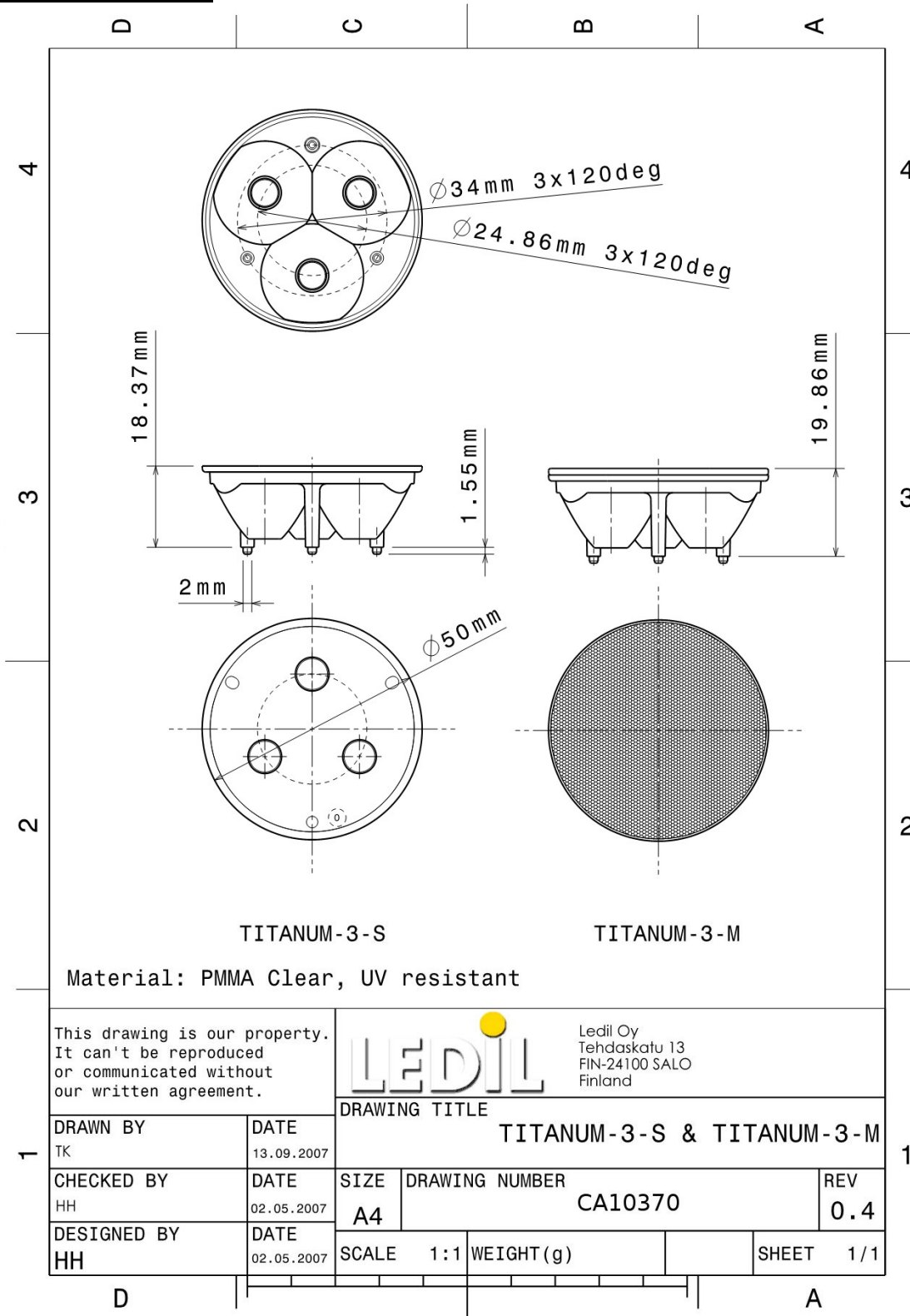


TITANUM-3-M

**PACKAGING**

Lenses are packed on plastic trays in carton boxes of 364 pieces in each box.

DRAWINGS



© Ledil Oy - PRELIMINARY - Subject to change without prior notice