

Flare-B-XP lens for Cree XP-E/C series of LEDs



Flare-B-XP

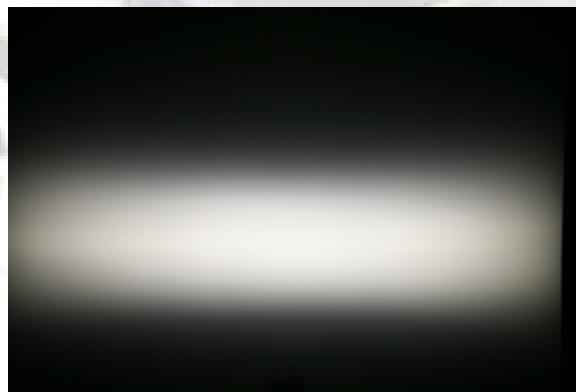
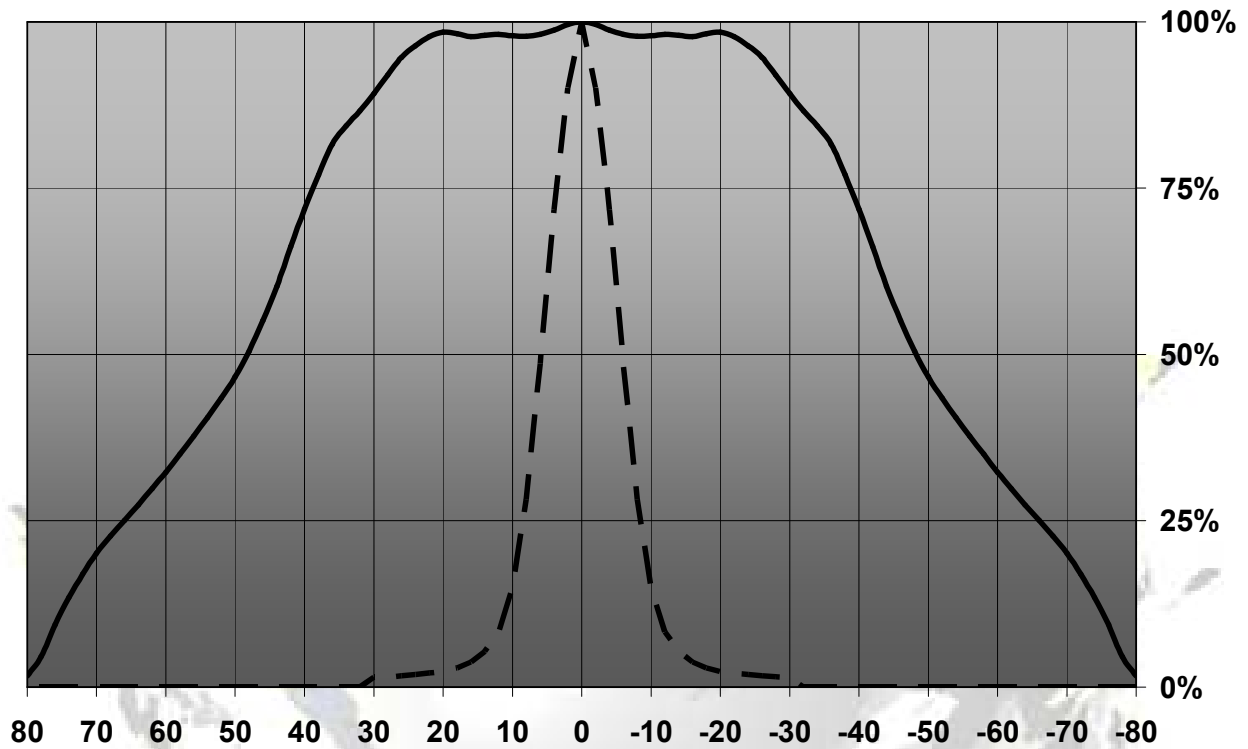
- Lens designed for Cree's XP-E series of LEDs
- Lens material optical grade PMMA with high UV and temperature resistance (105°C/220°F). Allows use of high current and temperature conditions
- Best available optical efficiency
- Fastening to PCB & heat sink with 2 screws (C10946_Flare-B-XP) or very easy assembly with TAPE
- We advise customer to ensure the suitability and sufficiency of the bond in the end product. For example, mechanical stress, vibration and holes on the surface of the circuit board weaken the strength of the tape.
- Please check fastening details from this link: (http://www.ledil.com/datasheets/DataSheet_TAPE.pdf)
- LED can be assembled parallel or perpendicular to the x,y axis (to turn the light distribution by 90°)
- Compact dimensions 23 x 25 mm. Square form enables easy build of a line without any gaps between lenses.
- **Especially suitable for Beacon and other 360° solutions and in linear solutions with high evenness requirements**

NAME	ORDERING CODE	FWHM Angle
Flare-B-XP LENS	C10946_Flare-B-XP	±6° x ±48°
Flare-B-XP LENS+ TAPE	CA10932_Flare-B-XP-tape	±6° x ±48°

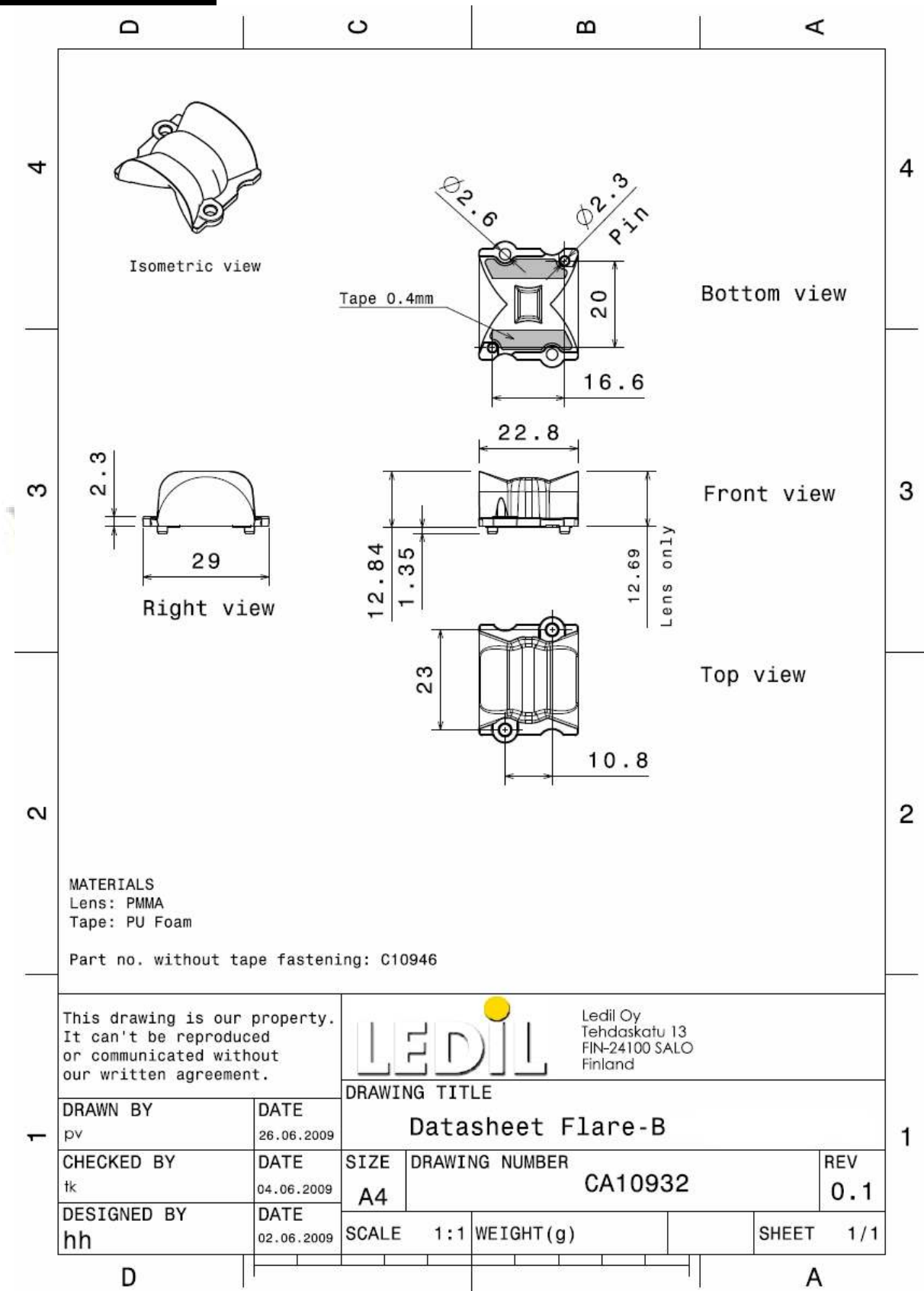
© Ledil Oy - Subject to change without prior notice

MEASUREMENTS

Relative Intensity of C10946_Flare-B-XP



DRAWINGS



© Ledil Oy - Subject to change without prior notice