

Cute-3 lenses for Nichia 119 / 219 LEDs



- Special care taken to make a uniform white or warm white illumination.
- Lens material optical grade PMMA with high UV and temperature resistance (105°C/220°F). Allows use of high current and temperature conditions.
- No lens holder. Fastening to heat sink with droplets of glue.
- Please check fastening details from this link:
(http://www.ledil.com/datasheets/DataSheet_GLUES.pdf)
- Best available optical efficiency, up to 90%.
- Suitable for MR11 applications.

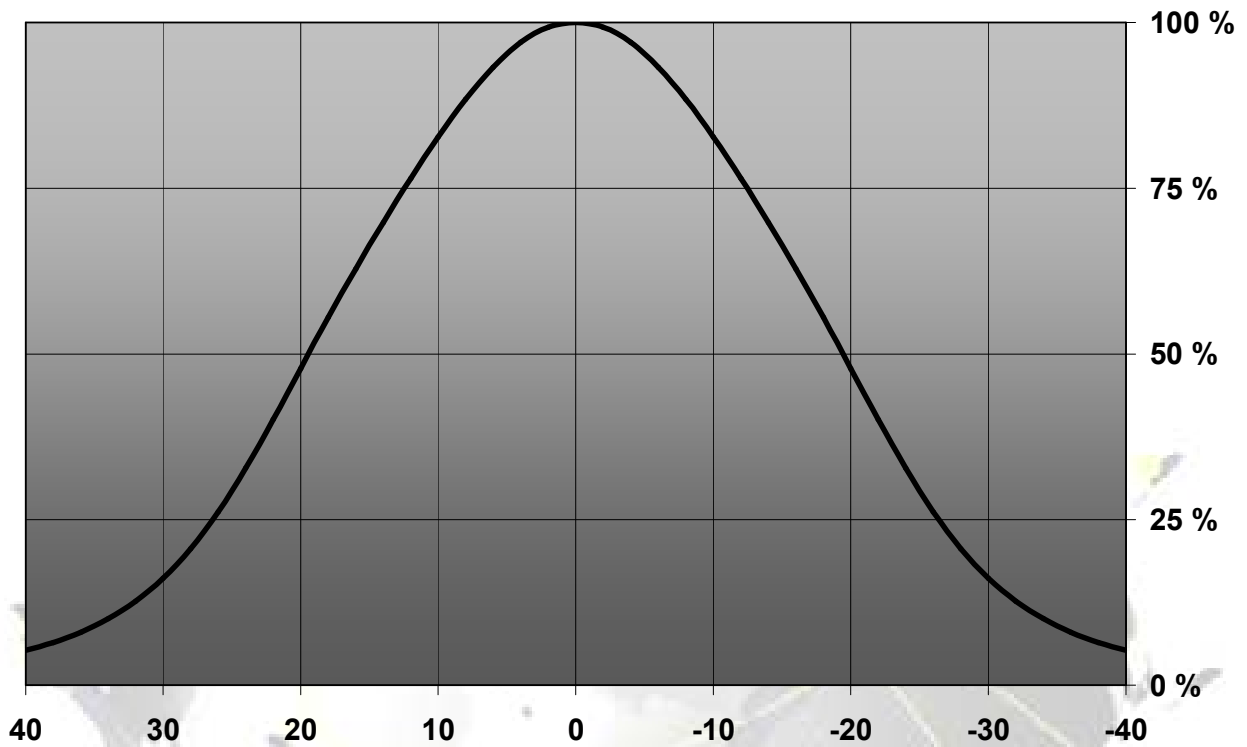
LENS TYPES

NAME	ORDERING CODE	FWHM Angle
Cute-3 Smooth Spot	C10754_Cute-3-SS-N19	±~7°
Cute-3 Medium	C10755_Cute-3-M-N19	±~12.5°
Cute-3 Wide	C10756_Cute-3-W-N19	±19.5°

MEASUREMENT DATA

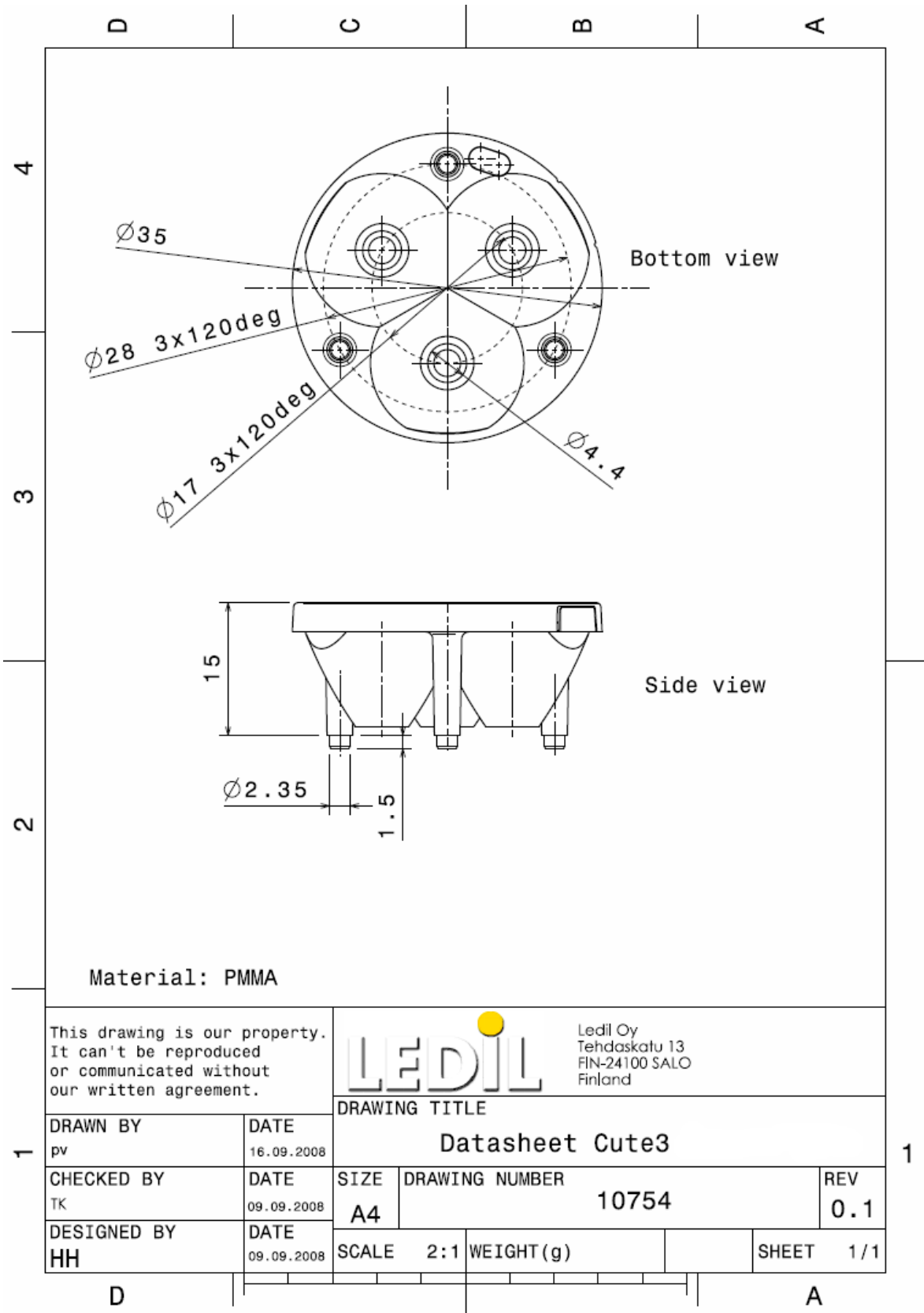
© Ledil Oy – PRELIMINARY - Subject to change without prior notice

Relative Intensity of C10756_Cute-3-W-N119



© Ledil Oy – PRELIMINARY - Subject to change without prior notice

DRAWINGS



© Ledil Oy - PRELIMINARY - Subject to change without prior notice