

## STRADA-DW LENS FOR NICHIA 119 / 219 LEDs



- Extremely wide SIDE-EMITTING design with very and uniform light distribution.
- Comes with integrated positioning pins.
- Lens material optical grade PMMA with high UV and temperature resistance (105°C/220°F). Allows use of high current and temperature conditions.
- Best available optical efficiency, approximately 92%.
- Fastening to heat sink with or without PU foam adhesive tape of automotive grade, please select which suits the best for your needs.
- Please check fastening details from this link:  
([http://www.ledil.com/datasheets/DataSheet\\_TAPE.pdf](http://www.ledil.com/datasheets/DataSheet_TAPE.pdf))

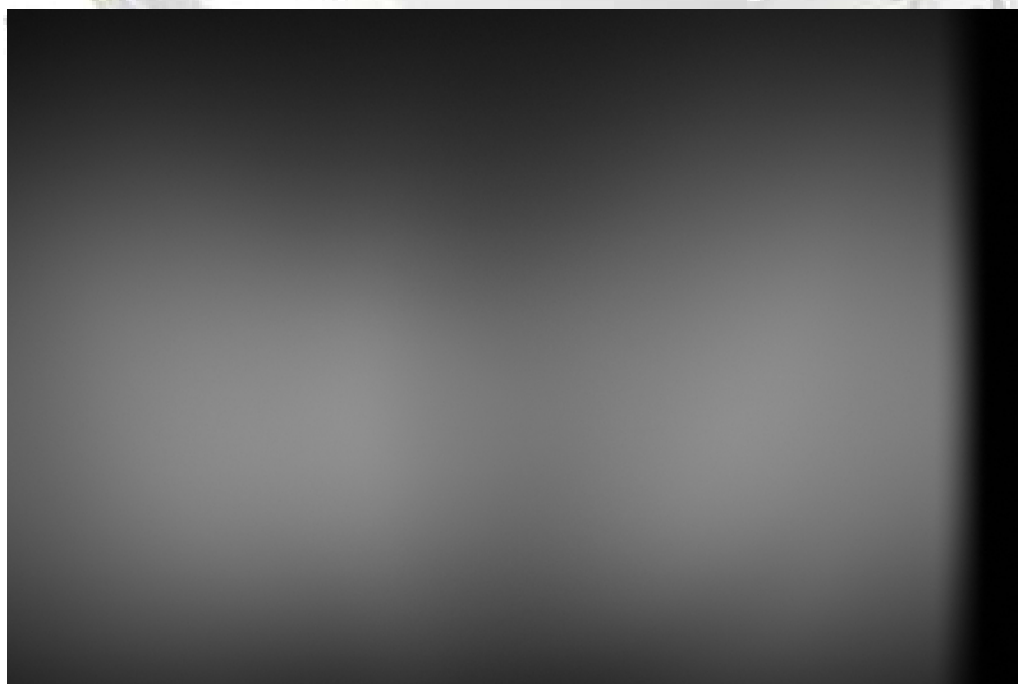
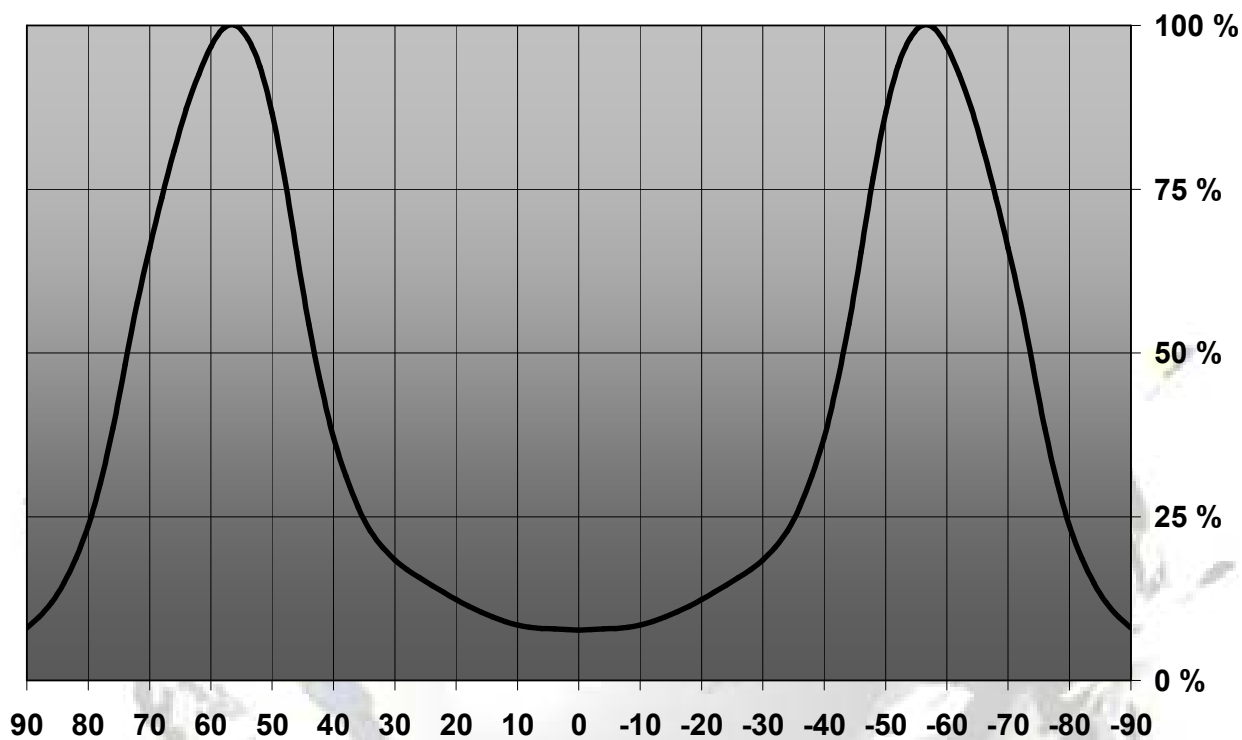
### LENS TYPES

NAME	ORDERING CODE	FWHM Angle
Strada-DW	C11255_Strada-DW-N19	±43° x ±74°
Strada-DW- TAPE	CA11256_Strada-DW-N19-tape	±43° x ±74°

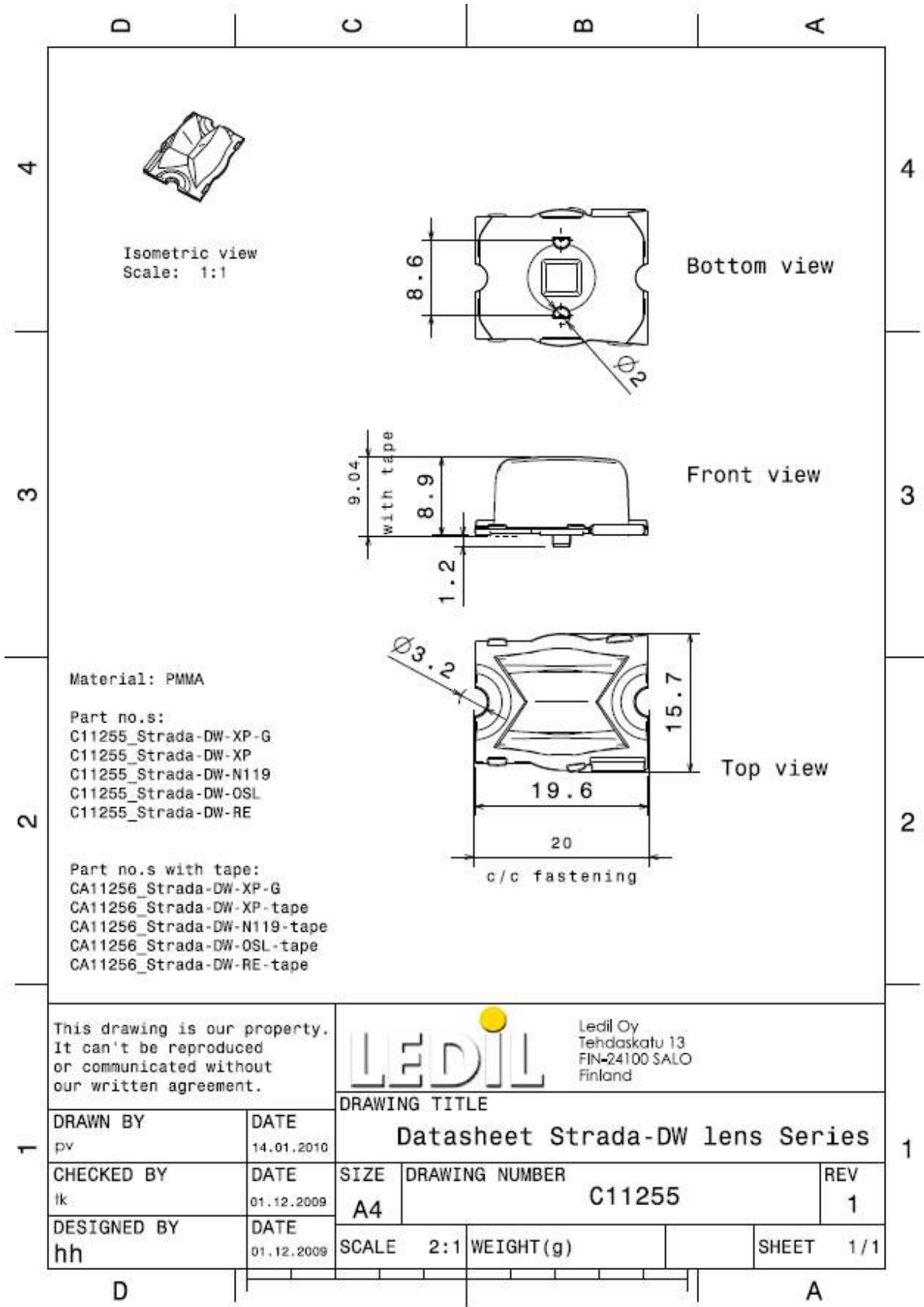
© Ledil Oy – PRELIMINARY - Subject to change without prior notice

**MEASUREMENT DATA & DRAWING**

Relative Intensity of C11255\_Strada-DW-N119



© Ledil Oy – PRELIMINARY - Subject to change without prior notice



© Ledil Oy – PRELIMINARY - Subject to change without prior notice