

D

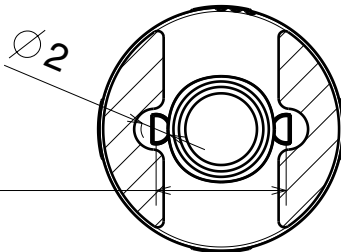
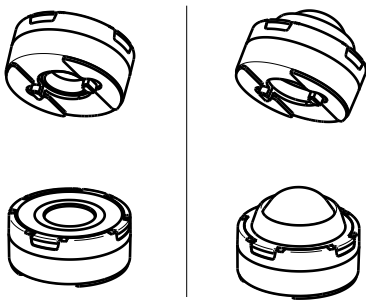
C

B

A

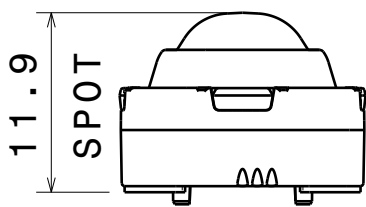
4

4

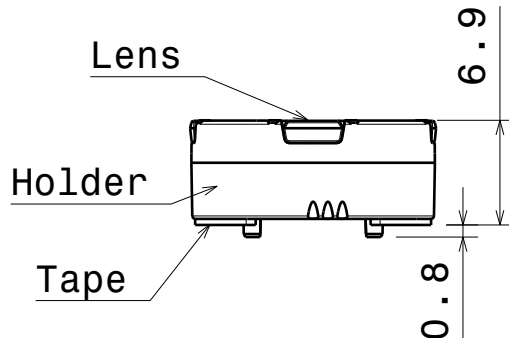


3

3



FA11905

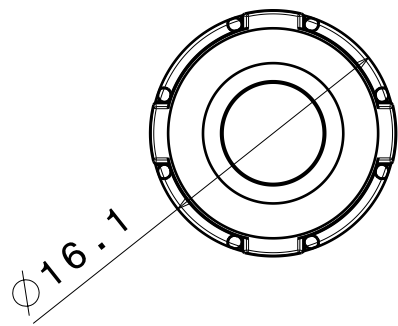


2

2

MATERIALS
 Lens: PMMA
 Holder: PC
 Tape: PU Foam

Part no.s:
 FA11824_Tina3-W-XP
 FA11825_Tina3-WW-XP
 FA11826_Tina3-WWW-XP
 FA11905_Tina3-S-XP
 FA11870_Tina3-00-XP



This drawing is our property.
 It can't be reproduced
 or communicated without
 our written agreement.



L
T
F
F
e
e
i
i
N
n

DRAWING TITLE

Datasheet Tina3-series Assy XP

DRAWN BY

DATE

p

18.10.2010

CHECKED BY

DATE

h

h

14.10.2010

DESIGNED BY

DATE

pv

13.10.2010

SIZE

A4

DRAWING NUMBER

-

REV

1

SCALE

2:1

WEIGHT (g)

-

SHEET

1/1

D

A

1

1