

9 Watt LED Module

Light Source

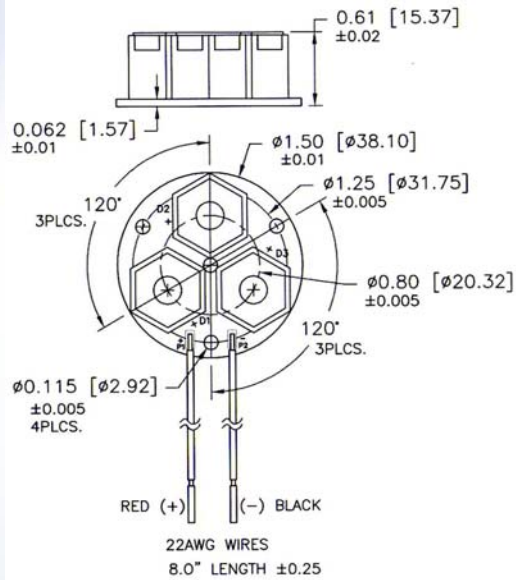
- 3 High Power Light Emitting Diodes (3 Watt LEDs)
- Colors: Cool White, Warm White, Blue, Cyan, Green, Amber and Red
- Consistent unit-to-unit color temperature



- Model-ILL3A0004**
- 1.5" (38.1mm) round compact source
- May be driven up to 1000mA
- Operating life 50,000 hours
- High efficiency optics: 6 or 25 degrees (see "Photometric Data")
- Metal Clad PCB Substrate
- 8" power leads
- Compatible with range of standard and custom drivers
- For Spot Lighting, Landscape Lighting, Architectural Lighting, Portable Lighting, Task Lighting and Track Lighting

P/N ILL3A0004* *=Color and (6° or 25°) Optics	<u>Color</u>	<u>Color Temp - Dominant Wavelength</u>	<u>Typical Luminous Flux (Lumens)</u>	<u>Design Current (mA)</u>	<u>Luminous Intensity (cd)</u>	<u>Power Consumption (Watts)</u>
ILL3A0004(A or H)	Cool White	6400K +/- 600K	192	700	1,905.00(A) 925.70 (H)	8.4
ILL3A0004(B or I)	Warm White	3250K +/- 250K	120	700		8.4
ILL3A0004(C or J)	Blue	470nm	57	700		8.4
ILL3A0004(D or K)	Cyan	505nm	156	700		8.4
ILL3A0004(E or L)	Green	530nm	156	700		8.4
ILL3A0004(F or M)	Amber	589nm	144	700		5.5
ILL3A0004(G or N)	Red	625nm	156	700		5.5

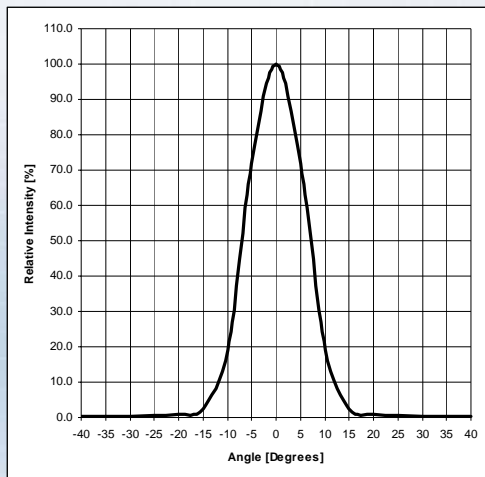
Specifications



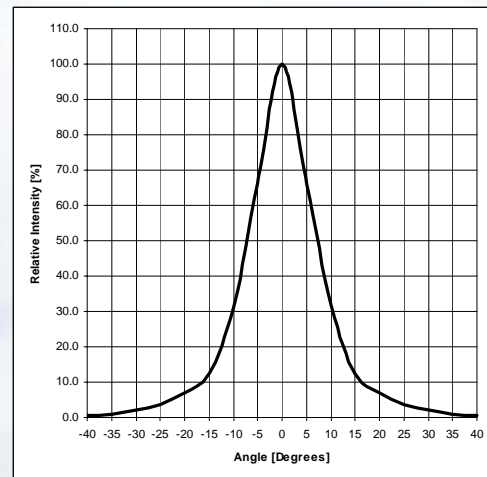
Operating Specifications:

- Operating PCB temperature: 65 °C (Recommended)
- Maximum PCB temperature: 100 °C
- Thermal Resistance (Rthj-a): 28 °C/W
- Projected life: 50,000 hours (70% lumen maintenance at 65 °C)
- * Additional heat sinking required, refer to CML technical support for thermal management guidelines

Photometric Data



Radiation Pattern with 6° optic (CW)



Radiation Pattern with 25° optic (CW)