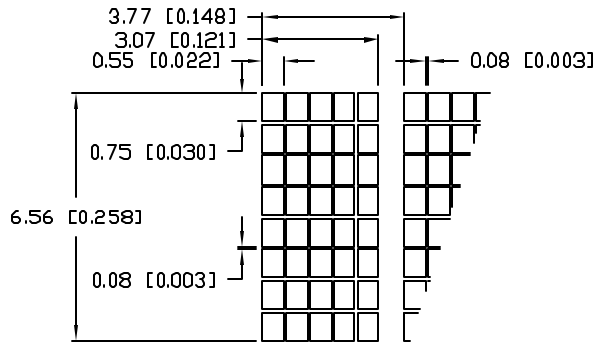
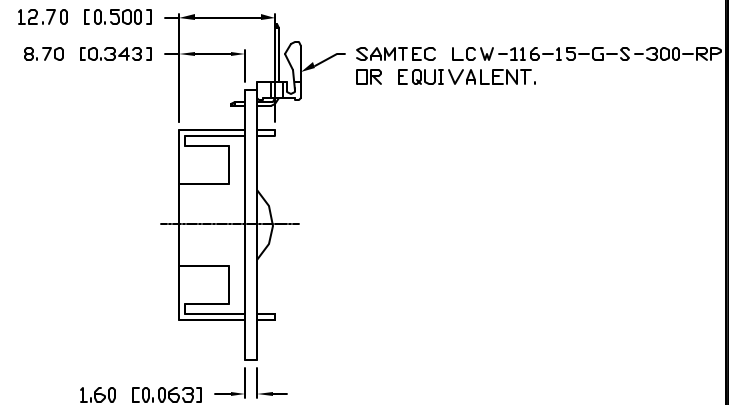
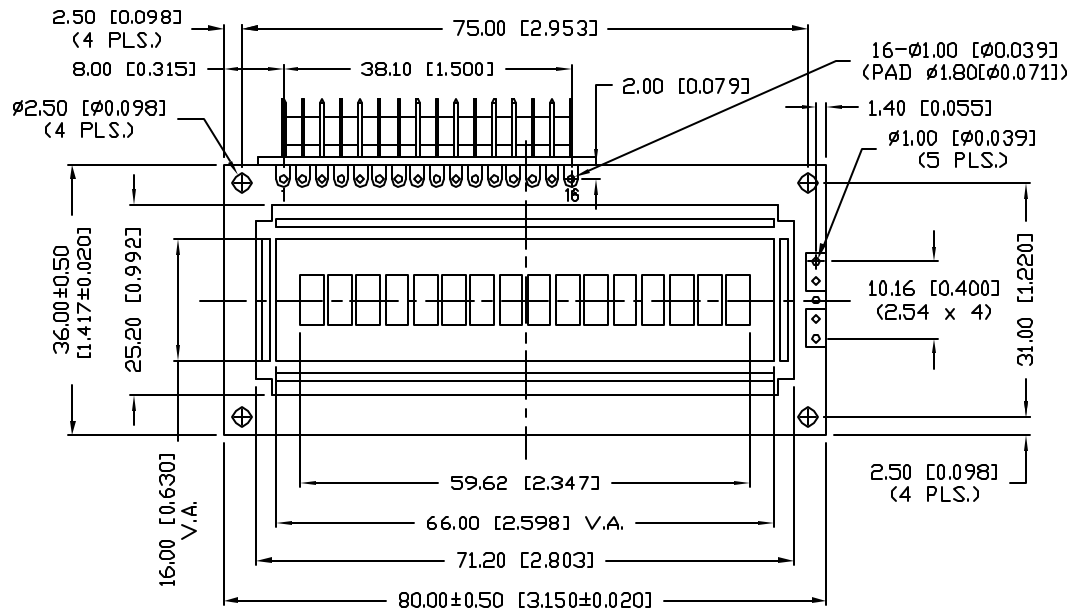


PART NUMBER		REV.
LCM-S01601DSF-CT1		
REV.	E.C.N. NUMBER AND REVISION COMMENTS	DATE

CHARACTER DETAIL



CAUTION: STATIC SENSITIVE DEVICE  
FOLLOW PROPER E.S.D. HANDLING PROCEDURES  
WHEN WORKING WITH THIS PART.



\*UNLESS OTHERWISE SPECIFIED TOLERANCE IS ±0.25mm (±0.010")

REV.	PART NUMBER
	LCM-S01601DSF-CT1

**CONFIDENTIAL INFORMATION**  
THE INFORMATION CONTAINED IN THIS DOCUMENT IS THE PROPERTY OF LUMEX INC. EXCEPT AS SPECIFICALLY AUTHORIZED IN WRITING BY LUMEX INC., THE HOLDER OF THIS DOCUMENT SHALL KEEP ALL INFORMATION CONTAINED HEREIN CONFIDENTIAL AND SHALL PROTECT SAME IN WHOLE OR IN PART FROM DISCLOSURE AND DISSEMINATION TO ALL THIRD PARTIES.



290 E. HELLEN ROAD  
PALATINE, ILLINOIS 60067  
PHONE: 1-847-359-2790  
WEB: HTTP://WWW.LUMEX.COM

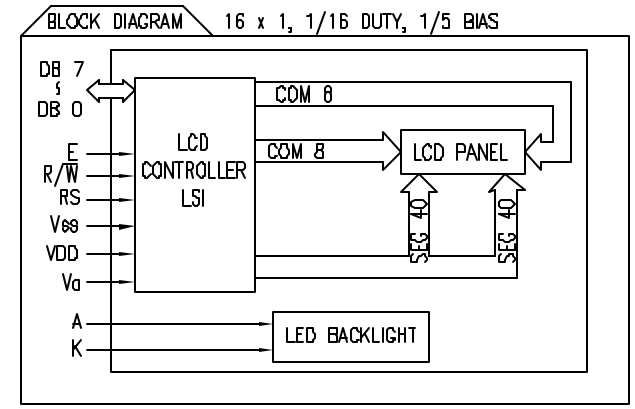
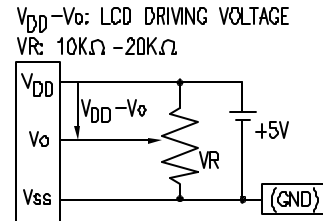
**RELIABILITY NOTE**  
OUR MANY YEARS OF EXPERIENCE DATA ACCUMULATION INDICATE THAT SOLDER HEAT IS A MAJOR CAUSE OF EARLY AND FUTURE FAILURE. PLEASE PAY ATTENTION TO YOUR SOLDERING PROCESS.

DRAWN BY:	CHECKED BY:	APPROVED BY:	DATE: 1.25.06
JD			PAGE: 1 OF 2
			SCALE: N/A

16 x 1 CHARACTER LCD MODULE, 1/16 DUTY, 1/5 BIAS, 6.56mm CHARACTER HEIGHT, 5 x 8 DOT MATRIX, 6:00 VIEW, TRANSFLECTIVE, LED BACKLIGHT.

PART NUMBER		REV.
LCM-S01601DSF-CT1		
REV.	E.C.N. NUMBER AND REVISION COMMENTS	DATE

PIN CONFIGURATION					
PIN NO.	SYMBOL	LEVEL	FUNCTION		
1	V <sub>SS</sub>	-	POWER SUPPLY	GND (0V)	
2	V <sub>DD</sub>	-		5V	
3	V <sub>O</sub>	-		FOR LCD DRIVE	
4	RS	H/L	REGISTER SELECT SIGNAL	H: DATA INPUT L: INSTRUCTION INPUT	
5	R/W	H/L	H: DATA READ (MODULE-->MPU) L: DATA WRITE (MODULE<<--MPU)		
6	E	H,H->L	ENABLE		
7~14	DB0~DB7	H/L	DATA BUS-SOFTWARE SELECTABLE 4 OR 8 BIT MODE.		
15	A	-	ANODE	LED BACKLIGHT	
16	K	-	CATHODE	LED BACKLIGHT	



ELECTRICAL CHARACTERISTICS		V <sub>DD</sub> =4.7V to 5.3V, T <sub>A</sub> =25°C					
ITEM	SYMBOL	CONDITION	STANDARD VALUE			UNIT	
			MIN.	TYP.	MAX.		
SUPPLY VOLTAGE FOR LOGIC	V <sub>DD</sub> -V <sub>SS</sub>	-	-	5.0	-	V	
SUPPLY CURRENT FOR LOGIC	I <sub>DD</sub>	V <sub>DD</sub> =5V	-	1.6	2.5	mA	
INPUT VOLTAGE	HIGH	V <sub>IH</sub>	-	2.2	-	V <sub>DD</sub>	
	LOW	V <sub>IL</sub>	-	0	-	0.6	
OUTPUT VOLTAGE	HIGH	V <sub>OH</sub>	-	2.4	-	V	
	LOW	V <sub>OL</sub>	-	-	-	0.4	
*LED BACKLIGHT	VOLTAGE	V <sub>F</sub>	I <sub>F</sub> =150mA	-	4.2	4.6	V
	CURRENT	I <sub>F</sub>	-	-	150	200	mA
	POWER CONSUMPTION	P <sub>D</sub>	-	-	630	-	mW
	LUMINOUS	L	I <sub>F</sub> =150mA	70	-	-	cd/m <sup>2</sup>
	COLOR	-	-	-	-	-	nm

\*ONLY APPLIES TO MODULES WITH BACKLIGHT

ABSOLUTE MAXIMUM RATINGS					
ITEM	SYMBOL	TEST CONDITION	STANDARD VALUE		UNIT
SUPPLY VOLTAGE FOR LOGIC	V <sub>DD</sub> -V <sub>SS</sub>	T <sub>a</sub> =25°C	4.7	5.3	V
SUPPLY VOLTAGE FOR LCD DRIVE	V <sub>DD</sub> -V <sub>O</sub>	-	4.2@50°C	4.8@0°C	V
INPUT VOLTAGE	V <sub>I</sub>	T <sub>a</sub> =25°C	V <sub>SS</sub>	V <sub>DD</sub>	V
OPERATING TEMPERATURE	T <sub>opr</sub>	LCM-S	0	50	°C
		LCM-H	-20	70	°C
STORAGE TEMPERATURE	T <sub>stg</sub>	LCM-S	-20	70	°C
		LCM-H	-30	85	°C

\*UNLESS OTHERWISE SPECIFIED TOLERANCE IS ±0.25mm (±0.010")

REV.	PART NUMBER	<p align="center"><b>CONFIDENTIAL INFORMATION</b></p> <p>THE INFORMATION CONTAINED IN THIS DOCUMENT IS THE PROPERTY OF LUMEX INC. EXCEPT AS SPECIFICALLY AUTHORIZED IN WRITING BY LUMEX INC., THE HOLDER OF THIS DOCUMENT SHALL KEEP ALL INFORMATION CONTAINED HEREIN CONFIDENTIAL AND SHALL PROTECT SAME IN WHOLE OR IN PART FROM DISCLOSURE AND DISSEMINATION TO ALL THIRD PARTIES.</p> <p align="center"><b>RELIABILITY NOTE</b></p> <p>OUR MANY YEARS OF EXPERIENCE DATA ACCUMULATION INDICATE THAT SOLDER HEAT IS A MAJOR CAUSE OF EARLY AND FUTURE FAILURE. PLEASE PAY ATTENTION TO YOUR SOLDERING PROCESS.</p>	<p align="center"><b>LUMEX</b></p> <p align="center">INCORPORATED</p>	290 E. HELLEN ROAD PALATINE, ILLINOIS 60067 PHONE: 1-847-359-2790 WEB: HTTP://WWW.LUMEX.COM		
	LCM-S01601DSF-CT1			DRAWN BY:	CHECKED BY:	APPROVED BY:
16 x 1 CHARACTER LCD MODULE, 1/16 DUTY, 1/5 BIAS, 6.56mm CHARACTER HEIGHT, 5 x 8 DOT MATRIX, 6:00 VIEW, TRANFLECTIVE, LED BACKLIGHT.			JD			PAGE: 2 OF 2 SCALE: N/A