

# SN74AVCH20T245

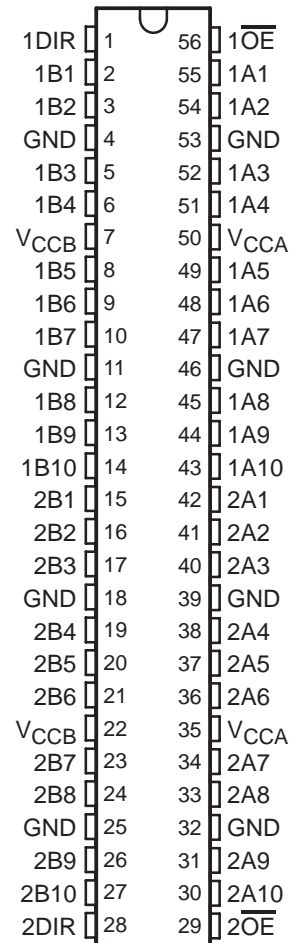
## 20-BIT DUAL-SUPPLY BUS TRANSCEIVER

### WITH CONFIGURABLE VOLTAGE TRANSLATION AND 3-STATE OUTPUTS

SCE5567F – MAY 2004 – REVISED APRIL 2005

- Control Inputs  $V_{IH}/V_{IL}$  Levels are Referenced to  $V_{CCA}$  Voltage
- $V_{CC}$  Isolation Feature – If Either  $V_{CC}$  Input Is at GND, Both Ports Are in the High-Impedance State
- Overvoltage-Tolerant Inputs/Outputs Allow Mixed-Voltage-Mode Data Communications
- Fully Configurable Dual-Rail Design Allows Each Port to Operate Over the Full 1.2-V to 3.6-V Power-Supply Range
- $I_{off}$  Supports Partial-Power-Down Mode Operation
- I/Os Are 4.6-V Tolerant
- Bus Hold on Data Inputs Eliminates the Need for External Pullup/Pulldown Resistors
- Max Data Rates
  - 380 Mbps (1.8-V to 3.3-V Translation)
  - 260 Mbps (< 1.8-V to 3.3-V Translation)
  - 260 Mbps (Translate to 2.5 V)
  - 210 Mbps (Translate to 1.8 V)
  - 120 Mbps (Translate to 1.5 V)
  - 100 Mbps (Translate to 1.2 V)
- Latch-Up Performance Exceeds 100 mA Per JESD 78, Class II
- ESD Protection Exceeds JESD 22
  - 8000-V Human-Body Model (A114-A)
  - 200-V Machine Model (A115-A)
  - 1000-V Charged-Device Model (C101)

DGG OR DGV PACKAGE  
(TOP VIEW)



#### description/ordering information

This 20-bit noninverting bus transceiver uses two separate configurable power-supply rails. The SN74AVCH20T245 is optimized to operate with  $V_{CCA}/V_{CCB}$  set at 1.4 V to 3.6 V. It is operational with  $V_{CCA}/V_{CCB}$  as low as 1.2 V. The A port is designed to track  $V_{CCA}$ .  $V_{CCA}$  accepts any supply voltage from 1.2 V to 3.6 V. The B port is designed to track  $V_{CCB}$ .  $V_{CCB}$  accepts any supply voltage from 1.2 V to 3.6 V. This allows for universal low-voltage bidirectional translation between any of the 1.2-V, 1.5-V, 1.8-V, 2.5-V, and 3.3-V voltage nodes.

#### ORDERING INFORMATION

$T_A$	PACKAGE†		ORDERABLE PART NUMBER	TOP-SIDE MARKING
–40°C to 85°C	TSSOP – DGG	Tape and reel	SN74AVCH20T245GR	AVCH20T245
	TVSOP – DGV	Tape and reel	SN74AVCH20T245VR	WK245
	VFBGA – GQL	Tape and reel	SN74AVCH20T245KR	WK245
	VFBGA – ZQL (Pb-free)		74AVCH20T245ZQLR	

† Package drawings, standard packing quantities, thermal data, symbolization, and PCB design guidelines are available at [www.ti.com/sc/package](http://www.ti.com/sc/package).



Please be aware that an important notice concerning availability, standard warranty, and use in critical applications of Texas Instruments semiconductor products and disclaimers thereto appears at the end of this data sheet.

PRODUCTION DATA information is current as of publication date. Products conform to specifications per the terms of Texas Instruments standard warranty. Production processing does not necessarily include testing of all parameters.



POST OFFICE BOX 655303 • DALLAS, TEXAS 75265

Copyright © 2005, Texas Instruments Incorporated

# SN74AVCH20T245

## 20-BIT DUAL-SUPPLY BUS TRANSCEIVER

### WITH CONFIGURABLE VOLTAGE TRANSLATION AND 3-STATE OUTPUTS

SCES567F – MAY 2004 – REVISED APRIL 2005

#### description/ordering information (continued)

The SN74AVCH20T245 is designed for asynchronous communication between data buses. The device transmits data from the A bus to the B bus or from the B bus to the A bus, depending on the logic level at the direction-control (DIR) input. The output-enable ( $\overline{OE}$ ) input can be used to disable the outputs so that the buses are effectively isolated.

The SN74AVCH20T245 is designed so that the control (1DIR, 2DIR,  $1\overline{OE}$ , and  $2\overline{OE}$ ) inputs are supplied by  $V_{CCA}$ .

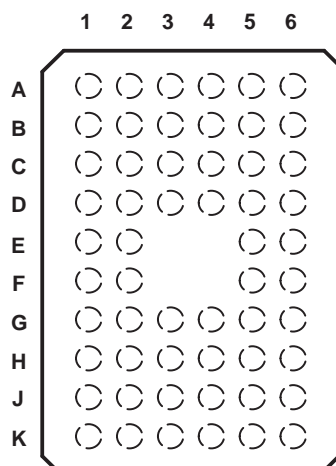
This device is fully specified for partial-power-down applications using  $I_{off}$ . The  $I_{off}$  circuitry disables the outputs, preventing damaging current backflow through the device when it is powered down.

The  $V_{CC}$  isolation feature ensures that if either  $V_{CC}$  input is at GND, both outputs are in the high-impedance state. The bus-hold circuitry on the powered-up side always stays active.

Active bus-hold circuitry holds unused or undriven inputs at a valid logic state. Use of pullup or pulldown resistors with the bus-hold circuitry is not recommended.

To ensure the high-impedance state during power up or power down,  $\overline{OE}$  should be tied to  $V_{CC}$  through a pullup resistor; the minimum value of the resistor is determined by the current-sinking capability of the driver.

#### GQL OR ZQL PACKAGE (TOP VIEW)



#### terminal assignments

	1	2	3	4	5	6
A	1B1	1B2	1DIR	$1\overline{OE}$	1A2	1A1
B	1B3	1B4	GND	GND	1A4	1A3
C	1B5	1B6	$V_{CCB}$	$V_{CCA}$	1A6	1A5
D	1B7	1B8	GND	GND	1A8	1A7
E	1B9	1B10			1A10	1A9
F	2B1	2B2			2A2	2A1
G	2B3	2B4	GND	GND	2A4	2A3
H	2B5	2B6	$V_{CCB}$	$V_{CCA}$	2A6	2A5
J	2B7	2B8	GND	GND	2A8	2A7
K	2B9	2B10	2DIR	$2\overline{OE}$	2A10	2A9

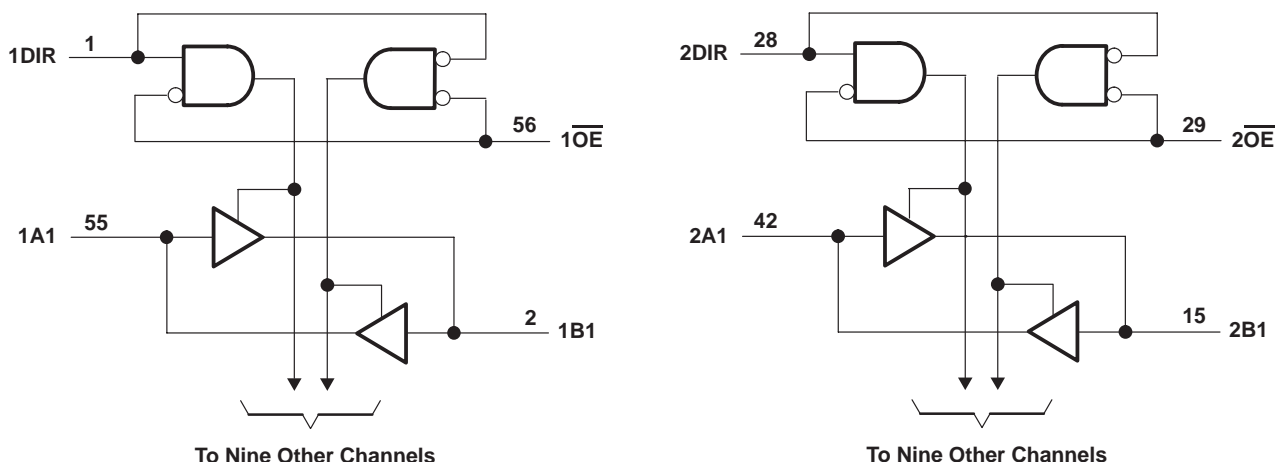
#### FUNCTION TABLE (each 10-bit section)

INPUTS		OPERATION
$\overline{OE}$	DIR	
L	L	B data to A bus
L	H	A data to B bus
H	X	Isolation

**SN74AVCH20T245**  
**20-BIT DUAL-SUPPLY BUS TRANSCEIVER**  
**WITH CONFIGURABLE VOLTAGE TRANSLATION AND 3-STATE OUTPUTS**

SCE5567F – MAY 2004 – REVISED APRIL 2005

**logic diagram (positive logic)**



Pin numbers shown are for the DGG and DGV packages.

**absolute maximum ratings over operating free-air temperature range (unless otherwise noted)†**

Supply voltage range, $V_{CCA}$ and $V_{CCB}$ .....	-0.5 V to 4.6 V
Input voltage range, $V_I$ (see Note 1): I/O ports (A port) .....	-0.5 V to 4.6 V
I/O ports (B port) .....	-0.5 V to 4.6 V
Control inputs .....	-0.5 V to 4.6 V
Voltage range applied to any output in the high-impedance or power-off state, $V_O$ (see Note 1): (A port) .....	-0.5 V to 4.6 V
(B port) .....	-0.5 V to 4.6 V
Voltage range applied to any output in the high or low state, $V_O$ (see Notes 1 and 2): (A port) .....	-0.5 V to $V_{CCA} + 0.5$ V
(B port) .....	-0.5 V to $V_{CCB} + 0.5$ V
Input clamp current, $I_{IK}$ ( $V_I < 0$ ) .....	-50 mA
Output clamp current, $I_{OK}$ ( $V_O < 0$ ) .....	-50 mA
Continuous output current, $I_O$ .....	$\pm 50$ mA
Continuous current through each $V_{CCA}$ , $V_{CCB}$ , and GND .....	$\pm 100$ mA
Package thermal impedance, $\theta_{JA}$ (see Note 3): DGG package .....	64°C/W
DGV package .....	48°C/W
GQL/ZQL package .....	42°C/W
Storage temperature range, $T_{stg}$ .....	-65°C to 150°C

† Stresses beyond those listed under “absolute maximum ratings” may cause permanent damage to the device. These are stress ratings only, and functional operation of the device at these or any other conditions beyond those indicated under “recommended operating conditions” is not implied. Exposure to absolute-maximum-rated conditions for extended periods may affect device reliability.

- NOTES: 1. The input voltage and output negative-voltage ratings may be exceeded if the input and output current ratings are observed.  
2. The output positive-voltage rating may be exceeded up to 4.6 V maximum if the output current rating is observed.  
3. The package thermal impedance is calculated in accordance with JESD 51-7.

# SN74AVCH20T245

## 20-BIT DUAL-SUPPLY BUS TRANSCEIVER

### WITH CONFIGURABLE VOLTAGE TRANSLATION AND 3-STATE OUTPUTS

SCES567F – MAY 2004 – REVISED APRIL 2005

#### recommended operating conditions (see Notes 4 through 8)

		V <sub>CCI</sub>	V <sub>CCO</sub>	MIN	MAX	UNIT
V <sub>CCA</sub>	Supply voltage			1.2	3.6	V
V <sub>CCB</sub>	Supply voltage			1.2	3.6	V
V <sub>IH</sub>	High-level input voltage	Data inputs (see Note 7)	1.2 V to 1.95 V	V <sub>CCI</sub> × 0.65		V
			1.95 V to 2.7 V	1.6		
			2.7 V to 3.6 V	2		
V <sub>IL</sub>	Low-level input voltage	Data inputs (see Note 7)	1.2 V to 1.95 V	V <sub>CCI</sub> × 0.35		V
			1.95 V to 2.7 V	0.7		
			2.7 V to 3.6 V	0.8		
V <sub>IH</sub>	High-level input voltage	DIR (referenced to V <sub>CCA</sub> ) (see Note 8)	1.2 V to 1.95 V	V <sub>CCA</sub> × 0.65		V
			1.95 V to 2.7 V	1.6		
			2.7 V to 3.6 V	2		
V <sub>IL</sub>	Low-level input voltage	DIR (referenced to V <sub>CCA</sub> ) (see Note 8)	1.2 V to 1.95 V	V <sub>CCA</sub> × 0.35		V
			1.95 V to 2.7 V	0.7		
			2.7 V to 3.6 V	0.8		
V <sub>I</sub>	Input voltage			0	3.6	V
V <sub>O</sub>	Output voltage	Active state		0	V <sub>CCO</sub>	V
		3-state		0	3.6	V
I <sub>OH</sub>	High-level output current		1.2 V	-3		mA
			1.4 V to 1.6 V	-6		
			1.65 V to 1.95 V	-8		
			2.3 V to 2.7 V	-9		
			3 V to 3.6 V	-12		
I <sub>OL</sub>	Low-level output current		1.2 V	3		mA
			1.4 V to 1.6 V	6		
			1.65 V to 1.95 V	8		
			2.3 V to 2.7 V	9		
			3 V to 3.6 V	12		
Δt/Δv	Input transition rise or fall rate				5	ns/V
T <sub>A</sub>	Operating free-air temperature			-40	85	°C

- NOTES:
- V<sub>CCI</sub> is the V<sub>CC</sub> associated with the data input port.
  - V<sub>CCO</sub> is the V<sub>CC</sub> associated with the output port.
  - All unused data inputs of the device must be held at V<sub>CCI</sub> or GND to ensure proper device operation. Refer to the TI application report, *Implications of Slow or Floating CMOS Inputs*, literature number SCBA004.
  - For V<sub>CCI</sub> values not specified in the data sheet, V<sub>IH(min)</sub> = V<sub>CCI</sub> × 0.7 V, V<sub>IL(max)</sub> = V<sub>CCI</sub> × 0.3 V.
  - For V<sub>CCI</sub> values not specified in the data sheet, V<sub>IH(min)</sub> = V<sub>CCA</sub> × 0.7 V, V<sub>IL(max)</sub> = V<sub>CCA</sub> × 0.3 V.



**SN74AVCH20T245**  
**20-BIT DUAL-SUPPLY BUS TRANSCEIVER**  
**WITH CONFIGURABLE VOLTAGE TRANSLATION AND 3-STATE OUTPUTS**

SCE567F – MAY 2004 – REVISED APRIL 2005

electrical characteristics over recommended operating free-air temperature range (unless otherwise noted) (see Note 9)

PARAMETER	TEST CONDITIONS		V <sub>CCA</sub>	V <sub>CCB</sub>	T <sub>A</sub> = 25°C			-40°C to 85°C		UNIT
					MIN	TYP	MAX	MIN	MAX	
V <sub>OH</sub>	I <sub>OH</sub> = -100 μA	V <sub>I</sub> = V <sub>IH</sub>	1.2 V to 3.6 V	1.2 V to 3.6 V				V <sub>CCO</sub> - 0.2 V		V
	I <sub>OH</sub> = -3 mA		1.2 V	1.2 V	0.95					
	I <sub>OH</sub> = -6 mA		1.4 V	1.4 V				1.05		
	I <sub>OH</sub> = -8 mA		1.65 V	1.65 V				1.2		
	I <sub>OH</sub> = -9 mA		2.3 V	2.3 V				1.75		
	I <sub>OH</sub> = -12 mA		3 V	3 V				2.3		
V <sub>OL</sub>	I <sub>OL</sub> = 100 μA	V <sub>I</sub> = V <sub>IL</sub>	1.2 V to 3.6 V	1.2 V to 3.6 V				0.2		V
	I <sub>OL</sub> = 3 mA		1.2 V	1.2 V	0.15					
	I <sub>OL</sub> = 6 mA		1.4 V	1.4 V				0.35		
	I <sub>OL</sub> = 8 mA		1.65 V	1.65 V				0.45		
	I <sub>OL</sub> = 9 mA		2.3 V	2.3 V				0.55		
	I <sub>OL</sub> = 12 mA		3 V	3 V				0.7		
I <sub>I</sub>	Control inputs	V <sub>I</sub> = V <sub>CCA</sub> or GND	1.2 V to 3.6 V	1.2 V to 3.6 V	±0.025	±0.25		±1	μA	
I <sub>BHL</sub> <sup>†</sup>	V <sub>I</sub> = 0.42 V		1.2 V	1.2 V	25				μA	
	V <sub>I</sub> = 0.49 V		1.4 V	1.4 V				15		
	V <sub>I</sub> = 0.58 V		1.65 V	1.65 V				25		
	V <sub>I</sub> = 0.7 V		2.3 V	2.3 V				45		
	V <sub>I</sub> = 0.8 V		3.3 V	3.3 V				100		
I <sub>BHH</sub> <sup>‡</sup>	V <sub>I</sub> = 0.78 V		1.2 V	1.2 V	-25				μA	
	V <sub>I</sub> = 0.91 V		1.4 V	1.4 V				-15		
	V <sub>I</sub> = 1.07 V		1.65 V	1.65 V				-25		
	V <sub>I</sub> = 1.6 V		2.3 V	2.3 V				-45		
	V <sub>I</sub> = 2 V		3.3 V	3.3 V				-100		
I <sub>BHLO</sub> <sup>§</sup>	V <sub>I</sub> = 0 to V <sub>CC</sub>		1.2 V	1.2 V	50				μA	
			1.6 V	1.6 V				125		
			1.95 V	1.95 V				200		
			2.7 V	2.7 V				300		
			3.6 V	3.6 V				500		
I <sub>BHHO</sub> <sup>¶</sup>	V <sub>I</sub> = 0 to V <sub>CC</sub>		1.2 V	1.2 V	-50				μA	
			1.6 V	1.6 V				-125		
			1.95 V	1.95 V				-200		
			2.7 V	2.7 V				-300		
			3.6 V	3.6 V				-500		

<sup>†</sup> The bus-hold circuit can sink at least the minimum low sustaining current at V<sub>IL</sub> max. I<sub>BHL</sub> should be measured after lowering V<sub>IN</sub> to GND and then raising it to V<sub>IL</sub> max.

<sup>‡</sup> The bus-hold circuit can source at least the minimum high sustaining current at V<sub>IH</sub> min. I<sub>BHH</sub> should be measured after raising V<sub>IN</sub> to V<sub>CC</sub> and then lowering it to V<sub>IH</sub> min.

<sup>§</sup> An external driver must source at least I<sub>BHLO</sub> to switch this node from low to high.

<sup>¶</sup> An external driver must sink at least I<sub>BHHO</sub> to switch this node from high to low.

NOTE 9: V<sub>CCO</sub> is the V<sub>CC</sub> associated with the output port.



# SN74AVCH20T245

## 20-BIT DUAL-SUPPLY BUS TRANSCEIVER

### WITH CONFIGURABLE VOLTAGE TRANSLATION AND 3-STATE OUTPUTS

SCES567F – MAY 2004 – REVISED APRIL 2005

electrical characteristics over recommended operating free-air temperature range (unless otherwise noted) (see Notes 10 and 11) (continued)

PARAMETER		TEST CONDITIONS		V <sub>CCA</sub>	V <sub>CCB</sub>	T <sub>A</sub> = 25°C			-40°C to 85°C		UNIT
						MIN	TYP	MAX	MIN	MAX	
I <sub>off</sub>	A port	V <sub>I</sub> or V <sub>O</sub> = 0 to 3.6 V		0 V	0 to 3.6 V	±0.1	±1		±5		μA
	B port			0 to 3.6 V	0 V	±0.1	±1	±5			
I <sub>OZ</sub> †	A or B ports	V <sub>O</sub> = V <sub>CCO</sub> or GND, V <sub>I</sub> = V <sub>CCI</sub> or GND	$\overline{OE} = V_{IH}$	3.6 V	3.6 V	±0.5	±2.5		±5		μA
	B port		$\overline{OE} =$ don't care	0 V	3.6 V			±5			
	A port			3.6 V	0 V			±5			
I <sub>CCA</sub>	V <sub>I</sub> = V <sub>CCI</sub> or GND, I <sub>O</sub> = 0			1.2 V to 3.6 V	1.2 V to 3.6 V				35		μA
				0 V	3.6 V			-5			
				3.6 V	0 V			35			
I <sub>CCB</sub>	V <sub>I</sub> = V <sub>CCI</sub> or GND, I <sub>O</sub> = 0			1.2 V to 3.6 V	1.2 V to 3.6 V				35		μA
				0 V	3.6 V			35			
				3.6 V	0 V			-5			
I <sub>CCA</sub> + I <sub>CCB</sub>	V <sub>I</sub> = V <sub>CCI</sub> or GND, I <sub>O</sub> = 0			1.2 V to 3.6 V	1.2 V to 3.6 V				65		μA
C <sub>i</sub>	Control inputs	V <sub>I</sub> = 3.3 V or GND		3.3 V	3.3 V	3.5				pF	
C <sub>io</sub>	A or B ports	V <sub>O</sub> = 3.3 V or GND		3.3 V	3.3 V	7				pF	

† For I/O ports, the parameter I<sub>OZ</sub> includes the input leakage current.

NOTES: 10. V<sub>CCO</sub> is the V<sub>CC</sub> associated with the output port.

11. V<sub>CCI</sub> is the V<sub>CC</sub> associated with the input port.

switching characteristics over recommended operating free-air temperature range,  
V<sub>CCA</sub> = 1.2 V (see Figure 1)

PARAMETER	FROM (INPUT)	TO (OUTPUT)	V <sub>CCB</sub> = 1.2 V	V <sub>CCB</sub> = 1.5 V	V <sub>CCB</sub> = 1.8 V	V <sub>CCB</sub> = 2.5 V	V <sub>CCB</sub> = 3.3 V	UNIT
			TYP	TYP	TYP	TYP	TYP	
t <sub>PLH</sub>	A	B	3.8	3.1	2.8	2.7	3.3	ns
t <sub>PHL</sub>			3.8	3.1	2.8	2.7	3.3	
t <sub>PLH</sub>	B	A	4.1	3.8	3.6	3.5	3.4	ns
t <sub>PHL</sub>			4.1	3.8	3.6	3.5	3.4	
t <sub>PZH</sub>	$\overline{OE}$	A	6.5	6.5	6.5	6.5	6.5	ns
t <sub>PZL</sub>			6.5	6.5	6.5	6.5	6.5	
t <sub>PZH</sub>	$\overline{OE}$	B	5.6	4.4	3.8	3.3	3.2	ns
t <sub>PZL</sub>			5.6	4.4	3.8	3.3	3.2	
t <sub>PHZ</sub>	$\overline{OE}$	A	6.4	6.4	6.4	6.4	6.4	ns
t <sub>PLZ</sub>			6.4	6.4	6.4	6.4	6.4	
t <sub>PHZ</sub>	$\overline{OE}$	B	5.7	4.6	4.7	4.1	5.4	ns
t <sub>PLZ</sub>			5.7	4.6	4.7	4.1	5.4	



**SN74AVCH20T245**  
**20-BIT DUAL-SUPPLY BUS TRANSCEIVER**  
**WITH CONFIGURABLE VOLTAGE TRANSLATION AND 3-STATE OUTPUTS**

SCES567F – MAY 2004 – REVISED APRIL 2005

switching characteristics over recommended operating free-air temperature range,  
 $V_{CCA} = 1.5\text{ V} \pm 0.1\text{ V}$  (see Figure 1)

PARAMETER	FROM (INPUT)	TO (OUTPUT)	$V_{CCB} = 1.2\text{ V}$	$V_{CCB} = 1.5\text{ V} \pm 0.1\text{ V}$		$V_{CCB} = 1.8\text{ V} \pm 0.15\text{ V}$		$V_{CCB} = 2.5\text{ V} \pm 0.2\text{ V}$		$V_{CCB} = 3.3\text{ V} \pm 0.3\text{ V}$		UNIT
			TYP	MIN	MAX	MIN	MAX	MIN	MAX	MIN	MAX	
$t_{PLH}$	A	B	3.8	0.5	6.4	0.5	5.4	0.5	4.3	0.5	3.9	ns
$t_{PHL}$			3.8	0.5	6.4	0.5	5.4	0.5	4.3	0.5	3.9	
$t_{PLH}$	B	A	3.1	0.5	6.4	0.5	6.1	0.5	5.8	0.5	5.7	ns
$t_{PHL}$			3.1	0.5	6.4	0.5	6.1	0.5	5.8	0.5	5.7	
$t_{PZH}$	$\overline{OE}$	A	4.3	1.5	10.3	1.5	10.3	1.5	10.2	1.5	10.2	ns
$t_{PZL}$			4.3	1.5	10.3	1.5	10.3	1.5	10.2	1.5	10.2	
$t_{PZH}$	$\overline{OE}$	B	5.2	1	10.3	1	8.4	0.5	6.1	0.5	5.3	ns
$t_{PZL}$			5.2	1	10.3	1	8.4	0.5	6.1	0.5	5.3	
$t_{PHZ}$	$\overline{OE}$	A	4.5	2	9	2	9	2	9	2	9	ns
$t_{PLZ}$			4.5	2	9	2	9	2	9	2	9	
$t_{PHZ}$	$\overline{OE}$	B	5.1	1.5	9	1.5	7.8	1	6.4	1	5.9	ns
$t_{PLZ}$			5.1	1.5	9	1.5	7.8	1	6.4	1	5.9	

switching characteristics over recommended operating free-air temperature range,  
 $V_{CCA} = 1.8\text{ V} \pm 0.15\text{ V}$  (see Figure 1)

PARAMETER	FROM (INPUT)	TO (OUTPUT)	$V_{CCB} = 1.2\text{ V}$	$V_{CCB} = 1.5\text{ V} \pm 0.1\text{ V}$		$V_{CCB} = 1.8\text{ V} \pm 0.15\text{ V}$		$V_{CCB} = 2.5\text{ V} \pm 0.2\text{ V}$		$V_{CCB} = 3.3\text{ V} \pm 0.3\text{ V}$		UNIT
			TYP	MIN	MAX	MIN	MAX	MIN	MAX	MIN	MAX	
$t_{PLH}$	A	B	3.6	0.5	6.1	0.5	5	0.5	3.9	0.5	3.5	ns
$t_{PHL}$			3.6	0.5	6.1	0.5	5	0.5	3.9	0.5	3.5	
$t_{PLH}$	B	A	2.8	0.5	5.4	0.5	5	0.5	4.7	0.5	4.6	ns
$t_{PHL}$			2.8	0.5	5.4	0.5	5	0.5	4.7	0.5	4.6	
$t_{PZH}$	$\overline{OE}$	A	3.4	1	8.1	1	7.9	1	7.9	1	7.9	ns
$t_{PZL}$			3.4	1	8.1	1	7.9	1	7.9	1	7.9	
$t_{PZH}$	$\overline{OE}$	B	5	0.5	10	0.5	7.9	0.5	5.7	0.5	4.8	ns
$t_{PZL}$			5	0.5	10	0.5	7.9	0.5	5.7	0.5	4.8	
$t_{PHZ}$	$\overline{OE}$	A	4.1	2	7.4	2	7.4	2	7.4	2	7.4	ns
$t_{PLZ}$			4.1	2	7.4	2	7.4	2	7.4	2	7.4	
$t_{PHZ}$	$\overline{OE}$	B	4.9	1.5	8.7	1.5	7.4	1	5.8	1	5.1	ns
$t_{PLZ}$			4.9	1.5	8.7	1.5	7.4	1	5.8	1	5.1	



**SN74AVCH20T245**  
**20-BIT DUAL-SUPPLY BUS TRANSCEIVER**  
**WITH CONFIGURABLE VOLTAGE TRANSLATION AND 3-STATE OUTPUTS**

SCES567F – MAY 2004 – REVISED APRIL 2005

switching characteristics over recommended operating free-air temperature range,  
 $V_{CCA} = 2.5\text{ V} \pm 0.2\text{ V}$  (see Figure 1)

PARAMETER	FROM (INPUT)	TO (OUTPUT)	V <sub>CCB</sub> = 1.2 V	V <sub>CCB</sub> = 1.5 V ± 0.1 V		V <sub>CCB</sub> = 1.8 V ± 0.15 V		V <sub>CCB</sub> = 2.5 V ± 0.2 V		V <sub>CCB</sub> = 3.3 V ± 0.3 V		UNIT
			TYP	MIN	MAX	MIN	MAX	MIN	MAX	MIN	MAX	
t <sub>PLH</sub>	A	B	3.5	0.5	5.8	0.5	4.7	0.5	3.5	0.5	3	ns
t <sub>PHL</sub>			3.5	0.5	5.8	0.5	4.7	0.5	3.5	0.5	3	
t <sub>PLH</sub>	B	A	2.7	0.5	4.3	0.5	3.9	0.5	3.5	0.5	3.4	ns
t <sub>PHL</sub>			2.7	0.5	4.3	0.5	3.9	0.5	3.5	0.5	3.4	
t <sub>PZH</sub>	$\overline{\text{OE}}$	A	2.5	0.5	5.4	0.5	5.3	0.5	5.2	0.5	5.2	ns
t <sub>PZL</sub>			2.5	0.5	5.4	0.5	5.3	0.5	5.2	0.5	5.2	
t <sub>PZH</sub>	$\overline{\text{OE}}$	B	4.8	0.5	9.6	0.5	7.6	0.5	5.3	0.5	4.3	ns
t <sub>PZL</sub>			4.8	0.5	9.6	0.5	7.6	0.5	5.3	0.5	4.3	
t <sub>PHZ</sub>	$\overline{\text{OE}}$	A	3	1.1	5.2	1.1	5.2	1.1	5.2	1.1	5.2	ns
t <sub>PLZ</sub>			3	1.1	5.2	1.1	5.2	1.1	5.2	1.1	5.2	
t <sub>PHZ</sub>	$\overline{\text{OE}}$	B	4.7	1.2	8.2	1.2	6.9	1	5.3	1	5	ns
t <sub>PLZ</sub>			4.7	1.2	8.2	1.2	6.9	1	5.3	1	5	

switching characteristics over recommended operating free-air temperature range,  
 $V_{CCA} = 3.3\text{ V} \pm 0.3\text{ V}$  (see Figure 1)

PARAMETER	FROM (INPUT)	TO (OUTPUT)	V <sub>CCB</sub> = 1.2 V	V <sub>CCB</sub> = 1.5 V ± 0.1 V		V <sub>CCB</sub> = 1.8 V ± 0.15 V		V <sub>CCB</sub> = 2.5 V ± 0.2 V		V <sub>CCB</sub> = 3.3 V ± 0.3 V		UNIT
			TYP	MIN	MAX	MIN	MAX	MIN	MAX	MIN	MAX	
t <sub>PLH</sub>	A	B	3.4	0.5	5.7	0.5	4.6	0.5	3.4	0.5	2.9	ns
t <sub>PHL</sub>			3.4	0.5	5.7	0.5	4.6	0.5	3.4	0.5	2.9	
t <sub>PLH</sub>	B	A	3.3	0.5	3.9	0.5	3.5	0.5	3	0.5	2.9	ns
t <sub>PHL</sub>			3.3	0.5	3.9	0.5	3.5	0.5	3	0.5	2.9	
t <sub>PZH</sub>	$\overline{\text{OE}}$	A	2.2	0.5	4.4	0.5	4.3	0.5	4.2	0.5	4.1	ns
t <sub>PZL</sub>			2.2	0.5	4.4	0.5	4.3	0.5	4.2	0.5	4.1	
t <sub>PZH</sub>	$\overline{\text{OE}}$	B	4.7	1	9.6	0.5	7.5	0.5	5.1	0.5	4.1	ns
t <sub>PZL</sub>			4.7	1	9.6	0.5	7.5	0.5	5.1	0.5	4.1	
t <sub>PHZ</sub>	$\overline{\text{OE}}$	A	3.4	0.8	5	0.8	5	0.8	5	0.8	5	ns
t <sub>PLZ</sub>			3.4	0.8	5	0.8	5	0.8	5	0.8	5	
t <sub>PHZ</sub>	$\overline{\text{OE}}$	B	4.6	1.2	8.1	1.2	6.7	1	5.1	0.8	5	ns
t <sub>PLZ</sub>			4.6	1.2	8.1	1.2	6.7	1	5.1	0.8	5	





**SN74AVCH20T245**  
**20-BIT DUAL-SUPPLY BUS TRANSCEIVER**  
**WITH CONFIGURABLE VOLTAGE TRANSLATION AND 3-STATE OUTPUTS**

SCE5567F – MAY 2004 – REVISED APRIL 2005

operating characteristics,  $T_A = 25^\circ\text{C}$

PARAMETER			TEST CONDITIONS	$V_{CCA} =$ $V_{CCB} = 1.2\text{ V}$	$V_{CCA} =$ $V_{CCB} = 1.5\text{ V}$	$V_{CCA} =$ $V_{CCB} = 1.8\text{ V}$	$V_{CCA} =$ $V_{CCB} = 2.5\text{ V}$	$V_{CCA} =$ $V_{CCB} = 3.3\text{ V}$	UNIT
				TYP	TYP	TYP	TYP	TYP	
$C_{pdA}^\dagger$	A to B	Outputs Enabled	$C_L = 0,$ $f = 10\text{ MHz},$ $t_r = t_f = 1\text{ ns}$	1	1	1	1	2	pF
		Outputs Disabled		1	1	1	1	1	
	B to A	Outputs Enabled		12	13	14	15	16	
		Outputs Disabled		1	1	1	1	1	
$C_{pdB}^\dagger$	A to B	Outputs Enabled	$C_L = 0,$ $f = 10\text{ MHz},$ $t_r = t_f = 1\text{ ns}$	13	13	14	15	16	pF
		Outputs Disabled		1	1	1	1	1	
	B to A	Outputs Enabled		1	1	1	2	2	
		Outputs Disabled		1	1	1	1	1	

$^\dagger$  Power-dissipation capacitance per transceiver

typical total static power consumption ( $I_{CCA} + I_{CCB}$ )

TABLE 1

$V_{CCB}$	$V_{CCA}$						UNIT
	0 V	1.2 V	1.5 V	1.8 V	2.5 V	3.3 V	
0 V	0	< 0.5	< 0.5	< 0.5	< 0.5	< 0.5	$\mu\text{A}$
1.2 V	< 0.5	< 1	< 1	< 1	< 1	1	
1.5 V	< 0.5	< 1	< 1	< 1	< 1	1	
1.8 V	< 0.5	< 1	< 1	< 1	< 1	< 1	
2.5 V	< 0.5	1	< 1	< 1	< 1	< 1	
3.3 V	< 0.5	1	< 1	< 1	< 1	< 1	

TYPICAL CHARACTERISTICS

TYPICAL PROPAGATION DELAY (A to B) vs LOAD CAPACITANCE

$T_A = 25^\circ\text{C}, V_{CCA} = 1.2\text{ V}$

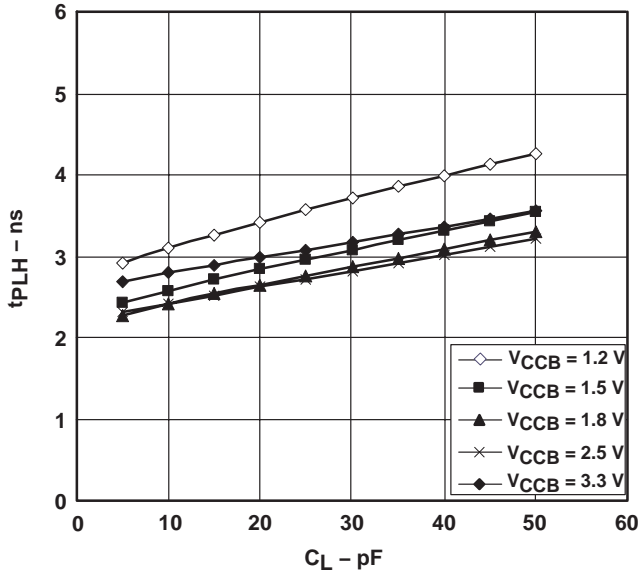


Figure 1

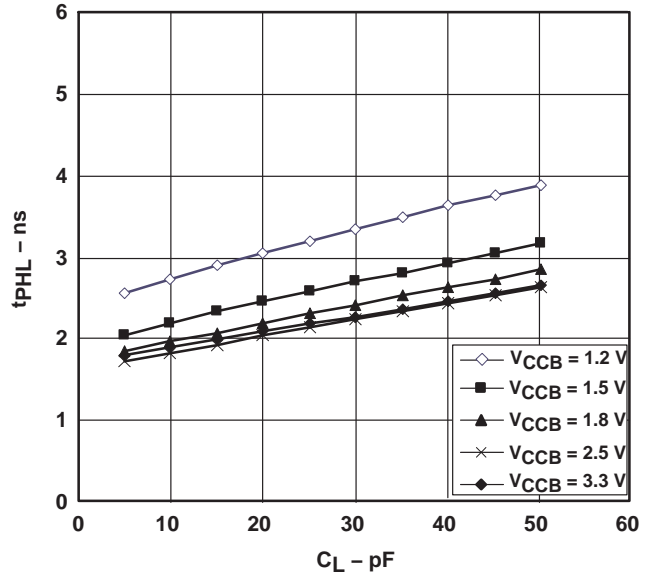


Figure 2

TYPICAL PROPAGATION DELAY (A to B) vs LOAD CAPACITANCE

$T_A = 25^\circ\text{C}, V_{CCA} = 1.5\text{ V}$

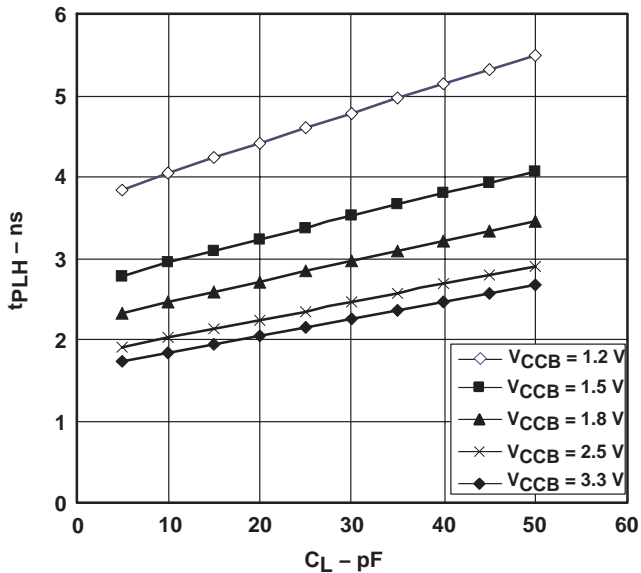


Figure 3

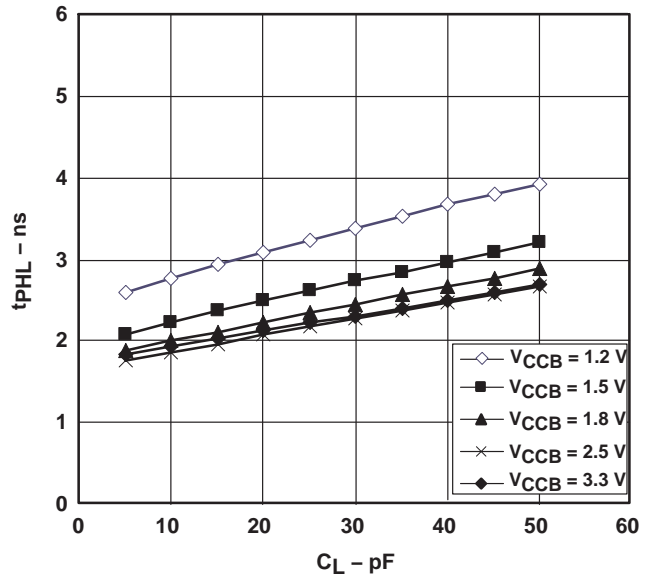


Figure 4

**SN74AVCH20T245**  
**20-BIT DUAL-SUPPLY BUS TRANSCEIVER**  
**WITH CONFIGURABLE VOLTAGE TRANSLATION AND 3-STATE OUTPUTS**

SCE567F – MAY 2004 – REVISED APRIL 2005

**TYPICAL PROPAGATION DELAY (A to B) vs LOAD CAPACITANCE**  
 $T_A = 25^\circ\text{C}$ ,  $V_{CCA} = 1.8\text{ V}$

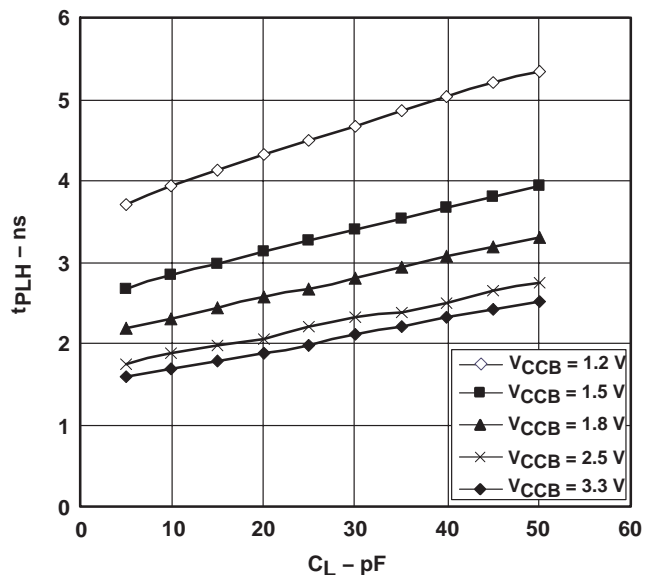


Figure 5

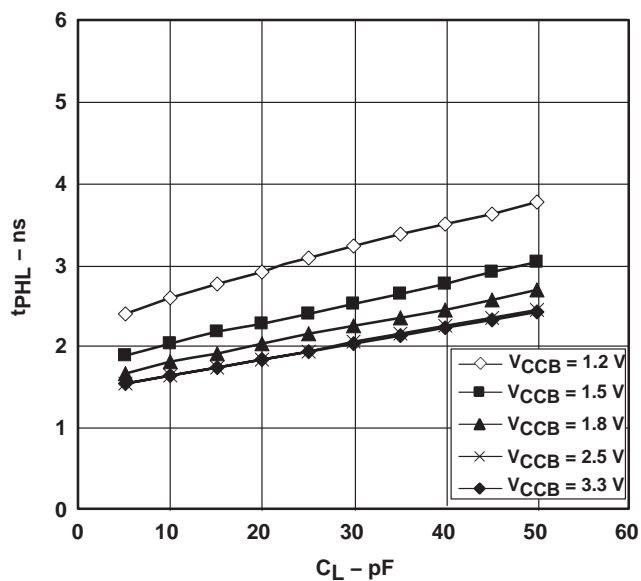


Figure 6

**TYPICAL PROPAGATION DELAY (A to B) vs LOAD CAPACITANCE**  
 $T_A = 25^\circ\text{C}$ ,  $V_{CCA} = 2.5\text{ V}$

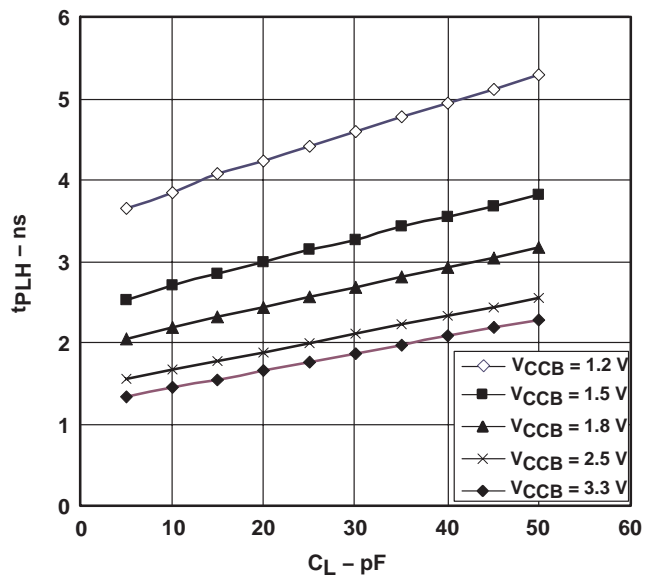


Figure 7

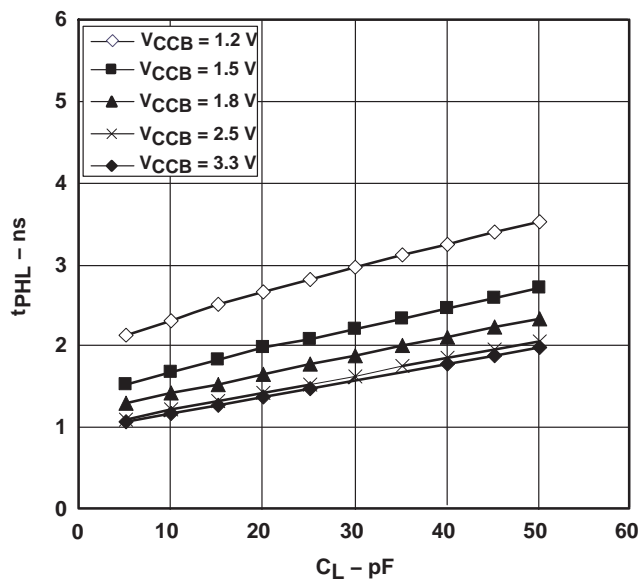


Figure 8

**SN74AVCH20T245**  
**20-BIT DUAL-SUPPLY BUS TRANSCEIVER**  
**WITH CONFIGURABLE VOLTAGE TRANSLATION AND 3-STATE OUTPUTS**

SCES567F – MAY 2004 – REVISED APRIL 2005

**TYPICAL PROPAGATION DELAY (A to B) vs LOAD CAPACITANCE**  
 $T_A = 25^\circ\text{C}, V_{CCA} = 3.3\text{ V}$

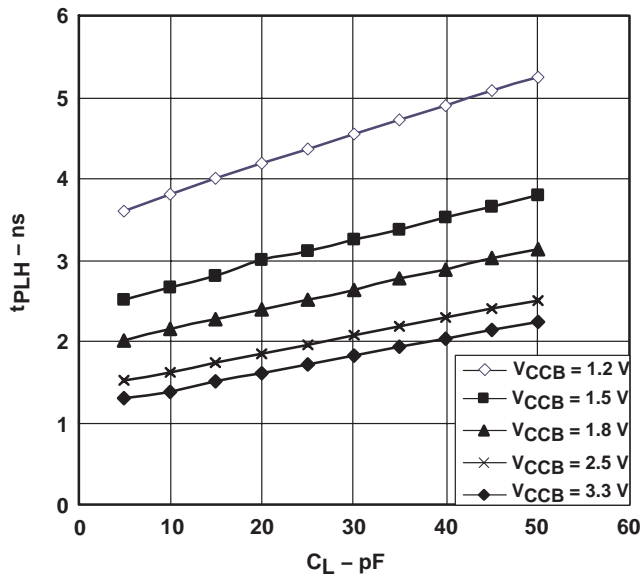


Figure 9

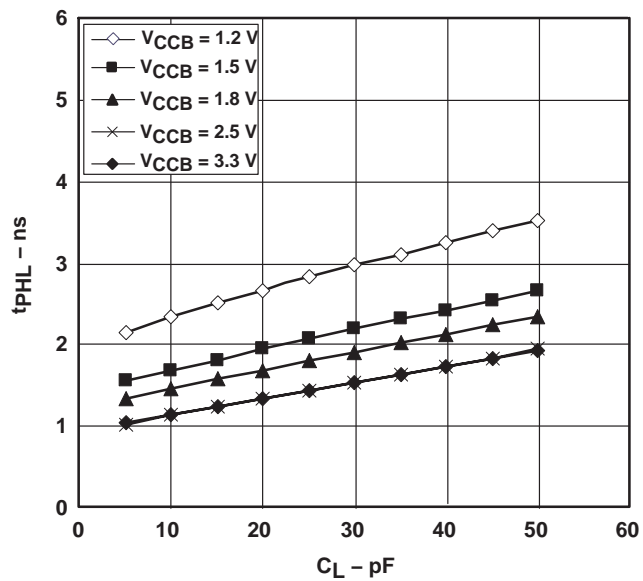
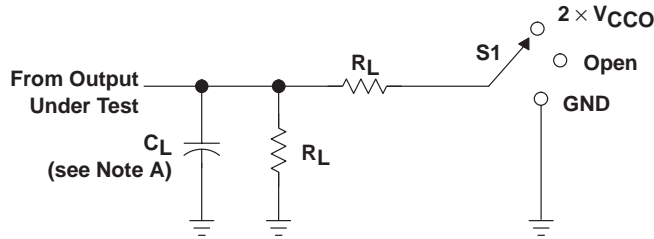


Figure 10

**SN74AVCH20T245**  
**20-BIT DUAL-SUPPLY BUS TRANSCEIVER**  
**WITH CONFIGURABLE VOLTAGE TRANSLATION AND 3-STATE OUTPUTS**

SCES567F – MAY 2004 – REVISED APRIL 2005

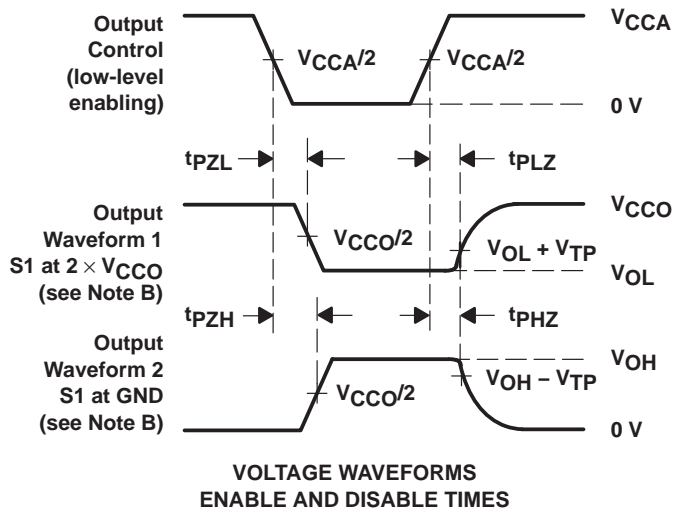
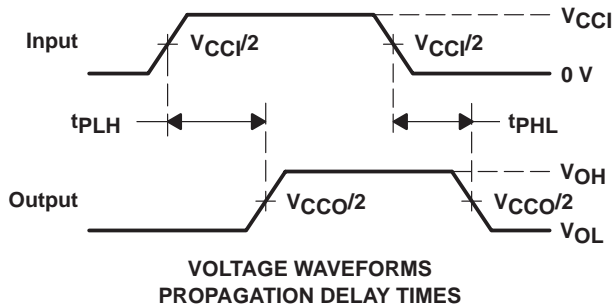
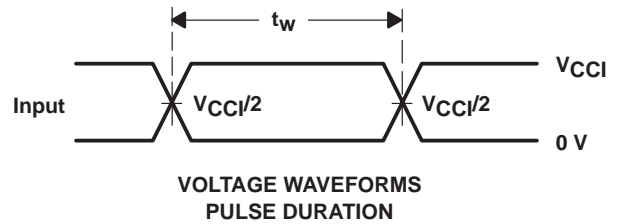
**PARAMETER MEASUREMENT INFORMATION**



**LOAD CIRCUIT**

TEST	S1
$t_{pd}$	Open
$t_{PLZ}/t_{PZL}$	$2 \times V_{CCO}$
$t_{PHZ}/t_{PZH}$	GND

$V_{CCO}$	$C_L$	$R_L$	$V_{TP}$
1.2 V	15 pF	2 k $\Omega$	0.1 V
1.5 V $\pm$ 0.1 V	15 pF	2 k $\Omega$	0.1 V
1.8 V $\pm$ 0.15 V	15 pF	2 k $\Omega$	0.15 V
2.5 V $\pm$ 0.2 V	15 pF	2 k $\Omega$	0.15 V
3.3 V $\pm$ 0.3 V	15 pF	2 k $\Omega$	0.3 V



- NOTES:
- A.  $C_L$  includes probe and jig capacitance.
  - B. Waveform 1 is for an output with internal conditions such that the output is low, except when disabled by the output control. Waveform 2 is for an output with internal conditions such that the output is high, except when disabled by the output control.
  - C. All input pulses are supplied by generators having the following characteristics: PRR  $\leq$  10 MHz,  $Z_O = 50 \Omega$ ,  $dv/dt \geq 1$  V/ns.
  - D. The outputs are measured one at a time, with one transition per measurement.
  - E.  $t_{PLZ}$  and  $t_{PHZ}$  are the same as  $t_{dis}$ .
  - F.  $t_{PZL}$  and  $t_{PZH}$  are the same as  $t_{en}$ .
  - G.  $t_{PLH}$  and  $t_{PHL}$  are the same as  $t_{pd}$ .
  - H.  $V_{CCI}$  is the  $V_{CC}$  associated with the input port.
  - I.  $V_{CCO}$  is the  $V_{CC}$  associated with the output port.

**Figure 11. Load Circuit and Voltage Waveforms**

**PACKAGING INFORMATION**

Orderable Device	Status <sup>(1)</sup>	Package Type	Package Drawing	Pins	Package Qty	Eco Plan <sup>(2)</sup>	Lead/ Ball Finish	MSL Peak Temp <sup>(3)</sup>	Samples (Requires Login)
74AVCH20T245GRE4	ACTIVE	TSSOP	DGG	56	2000	Green (RoHS & no Sb/Br)	CU NIPDAU	Level-1-260C-UNLIM	
74AVCH20T245GRG4	ACTIVE	TSSOP	DGG	56	2000	Green (RoHS & no Sb/Br)	CU NIPDAU	Level-1-260C-UNLIM	
74AVCH20T245VRE4	ACTIVE	TVSOP	DGV	56	2000	Green (RoHS & no Sb/Br)	CU NIPDAU	Level-1-260C-UNLIM	
74AVCH20T245VRG4	ACTIVE	TVSOP	DGV	56	2000	Green (RoHS & no Sb/Br)	CU NIPDAU	Level-1-260C-UNLIM	
74AVCH20T245ZQLR	ACTIVE	BGA MICROSTAR JUNIOR	ZQL	56	1000	Green (RoHS & no Sb/Br)	SNAGCU	Level-1-260C-UNLIM	
SN74AVCH20T245GR	ACTIVE	TSSOP	DGG	56	2000	Green (RoHS & no Sb/Br)	CU NIPDAU	Level-1-260C-UNLIM	
SN74AVCH20T245VR	ACTIVE	TVSOP	DGV	56	2000	Green (RoHS & no Sb/Br)	CU NIPDAU	Level-1-260C-UNLIM	

<sup>(1)</sup> The marketing status values are defined as follows:

**ACTIVE:** Product device recommended for new designs.

**LIFEBUY:** TI has announced that the device will be discontinued, and a lifetime-buy period is in effect.

**NRND:** Not recommended for new designs. Device is in production to support existing customers, but TI does not recommend using this part in a new design.

**PREVIEW:** Device has been announced but is not in production. Samples may or may not be available.

**OBSOLETE:** TI has discontinued the production of the device.

<sup>(2)</sup> Eco Plan - The planned eco-friendly classification: Pb-Free (RoHS), Pb-Free (RoHS Exempt), or Green (RoHS & no Sb/Br) - please check <http://www.ti.com/productcontent> for the latest availability information and additional product content details.

**TBD:** The Pb-Free/Green conversion plan has not been defined.

**Pb-Free (RoHS):** TI's terms "Lead-Free" or "Pb-Free" mean semiconductor products that are compatible with the current RoHS requirements for all 6 substances, including the requirement that lead not exceed 0.1% by weight in homogeneous materials. Where designed to be soldered at high temperatures, TI Pb-Free products are suitable for use in specified lead-free processes.

**Pb-Free (RoHS Exempt):** This component has a RoHS exemption for either 1) lead-based flip-chip solder bumps used between the die and package, or 2) lead-based die adhesive used between the die and leadframe. The component is otherwise considered Pb-Free (RoHS compatible) as defined above.

**Green (RoHS & no Sb/Br):** TI defines "Green" to mean Pb-Free (RoHS compatible), and free of Bromine (Br) and Antimony (Sb) based flame retardants (Br or Sb do not exceed 0.1% by weight in homogeneous material)

<sup>(3)</sup> MSL, Peak Temp. -- The Moisture Sensitivity Level rating according to the JEDEC industry standard classifications, and peak solder temperature.

**Important Information and Disclaimer:** The information provided on this page represents TI's knowledge and belief as of the date that it is provided. TI bases its knowledge and belief on information provided by third parties, and makes no representation or warranty as to the accuracy of such information. Efforts are underway to better integrate information from third parties. TI has taken and continues to take reasonable steps to provide representative and accurate information but may not have conducted destructive testing or chemical analysis on incoming materials and chemicals. TI and TI suppliers consider certain information to be proprietary, and thus CAS numbers and other limited information may not be available for release.

In no event shall TI's liability arising out of such information exceed the total purchase price of the TI part(s) at issue in this document sold by TI to Customer on an annual basis.

**TAPE AND REEL INFORMATION**
**REEL DIMENSIONS**

**TAPE DIMENSIONS**


A0	Dimension designed to accommodate the component width
B0	Dimension designed to accommodate the component length
K0	Dimension designed to accommodate the component thickness
W	Overall width of the carrier tape
P1	Pitch between successive cavity centers

**TAPE AND REEL INFORMATION**

\*All dimensions are nominal

Device	Package Type	Package Drawing	Pins	SPQ	Reel Diameter (mm)	Reel Width W1 (mm)	A0 (mm)	B0 (mm)	K0 (mm)	P1 (mm)	W (mm)	Pin1 Quadrant
74AVCH20T245ZQLR	BGA MICROSTAR JUNIOR	ZQL	56	1000	330.0	16.4	4.8	7.3	1.45	8.0	16.0	Q1
SN74AVCH20T245GR	TSSOP	DGG	56	2000	330.0	24.4	8.6	15.6	1.8	12.0	24.0	Q1
SN74AVCH20T245VR	TVSOP	DGV	56	2000	330.0	24.4	6.8	11.7	1.6	12.0	24.0	Q1



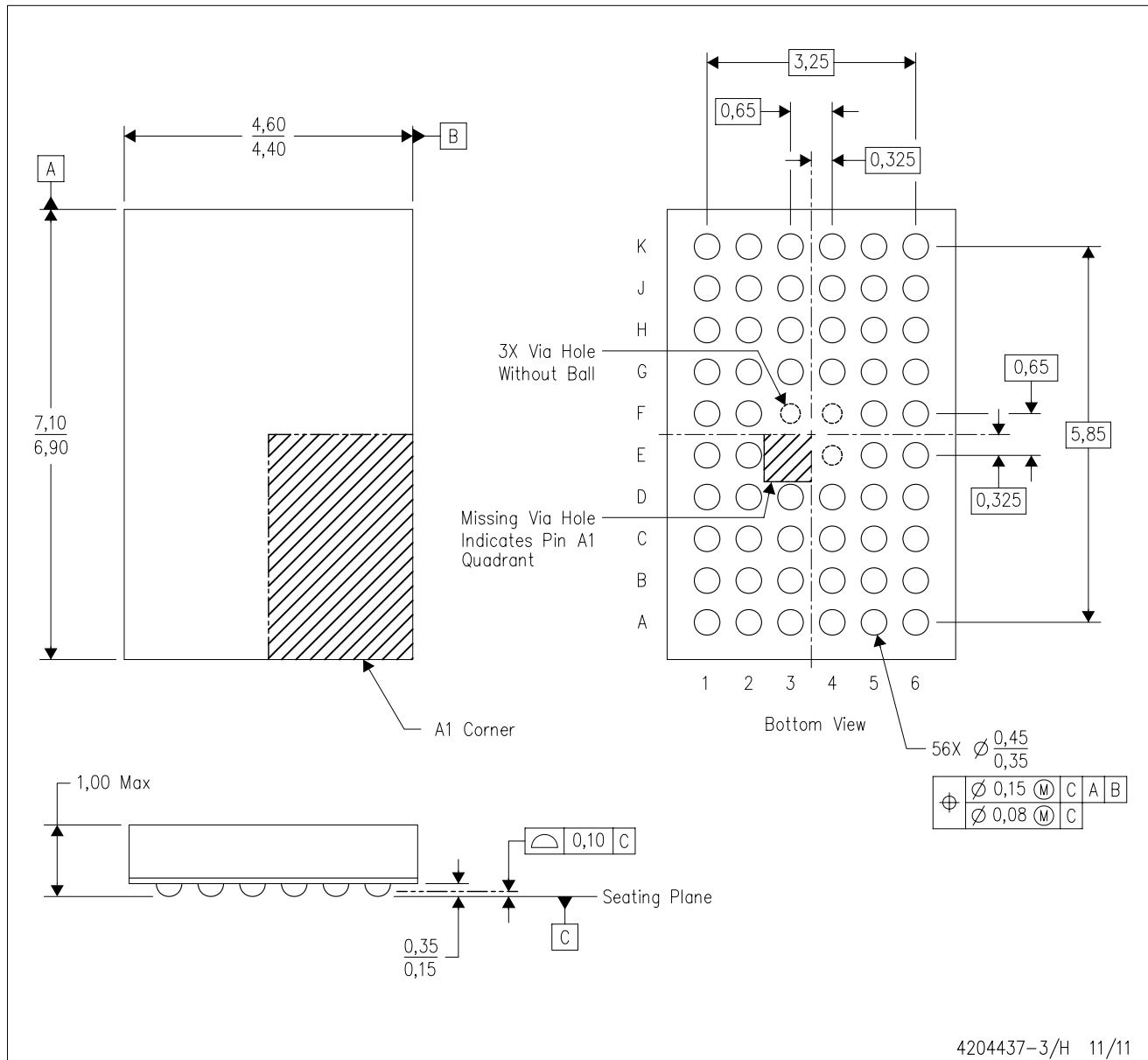
**TAPE AND REEL BOX DIMENSIONS**


\*All dimensions are nominal

Device	Package Type	Package Drawing	Pins	SPQ	Length (mm)	Width (mm)	Height (mm)
74AVCH20T245ZQLR	BGA MICROSTAR JUNIOR	ZQL	56	1000	333.2	345.9	28.6
SN74AVCH20T245GR	TSSOP	DGG	56	2000	346.0	346.0	41.0
SN74AVCH20T245VR	TVSOP	DGV	56	2000	346.0	346.0	41.0

ZQL (R-PBGA-N56)

PLASTIC BALL GRID ARRAY



- NOTES:
- A. All linear dimensions are in millimeters. Dimensioning and tolerancing per ASME Y14.5M-1994.
  - B. This drawing is subject to change without notice.
  - C. Falls within JEDEC MO-285 variation BA-2.
  - D. This package is Pb-free. Refer to the 56 GQL package (drawing 4200583) for tin-lead (SnPb).

DGV (R-PDSO-G\*\*)

PLASTIC SMALL-OUTLINE

24 PINS SHOWN



- NOTES: A. All linear dimensions are in millimeters.  
 B. This drawing is subject to change without notice.  
 C. Body dimensions do not include mold flash or protrusion, not to exceed 0,15 per side.  
 D. Falls within JEDEC: 24/48 Pins – MO-153  
 14/16/20/56 Pins – MO-194

DGG (R-PDSO-G\*\*)

PLASTIC SMALL-OUTLINE PACKAGE

48 PINS SHOWN



- NOTES: A. All linear dimensions are in millimeters.  
 B. This drawing is subject to change without notice.  
 C. Body dimensions do not include mold protrusion not to exceed 0,15.  
 D. Falls within JEDEC MO-153

## IMPORTANT NOTICE

Texas Instruments Incorporated and its subsidiaries (TI) reserve the right to make corrections, modifications, enhancements, improvements, and other changes to its products and services at any time and to discontinue any product or service without notice. Customers should obtain the latest relevant information before placing orders and should verify that such information is current and complete. All products are sold subject to TI's terms and conditions of sale supplied at the time of order acknowledgment.

TI warrants performance of its hardware products to the specifications applicable at the time of sale in accordance with TI's standard warranty. Testing and other quality control techniques are used to the extent TI deems necessary to support this warranty. Except where mandated by government requirements, testing of all parameters of each product is not necessarily performed.

TI assumes no liability for applications assistance or customer product design. Customers are responsible for their products and applications using TI components. To minimize the risks associated with customer products and applications, customers should provide adequate design and operating safeguards.

TI does not warrant or represent that any license, either express or implied, is granted under any TI patent right, copyright, mask work right, or other TI intellectual property right relating to any combination, machine, or process in which TI products or services are used. Information published by TI regarding third-party products or services does not constitute a license from TI to use such products or services or a warranty or endorsement thereof. Use of such information may require a license from a third party under the patents or other intellectual property of the third party, or a license from TI under the patents or other intellectual property of TI.

Reproduction of TI information in TI data books or data sheets is permissible only if reproduction is without alteration and is accompanied by all associated warranties, conditions, limitations, and notices. Reproduction of this information with alteration is an unfair and deceptive business practice. TI is not responsible or liable for such altered documentation. Information of third parties may be subject to additional restrictions.

Resale of TI products or services with statements different from or beyond the parameters stated by TI for that product or service voids all express and any implied warranties for the associated TI product or service and is an unfair and deceptive business practice. TI is not responsible or liable for any such statements.

TI products are not authorized for use in safety-critical applications (such as life support) where a failure of the TI product would reasonably be expected to cause severe personal injury or death, unless officers of the parties have executed an agreement specifically governing such use. Buyers represent that they have all necessary expertise in the safety and regulatory ramifications of their applications, and acknowledge and agree that they are solely responsible for all legal, regulatory and safety-related requirements concerning their products and any use of TI products in such safety-critical applications, notwithstanding any applications-related information or support that may be provided by TI. Further, Buyers must fully indemnify TI and its representatives against any damages arising out of the use of TI products in such safety-critical applications.

TI products are neither designed nor intended for use in military/aerospace applications or environments unless the TI products are specifically designated by TI as military-grade or "enhanced plastic." Only products designated by TI as military-grade meet military specifications. Buyers acknowledge and agree that any such use of TI products which TI has not designated as military-grade is solely at the Buyer's risk, and that they are solely responsible for compliance with all legal and regulatory requirements in connection with such use.

TI products are neither designed nor intended for use in automotive applications or environments unless the specific TI products are designated by TI as compliant with ISO/TS 16949 requirements. Buyers acknowledge and agree that, if they use any non-designated products in automotive applications, TI will not be responsible for any failure to meet such requirements.

Following are URLs where you can obtain information on other Texas Instruments products and application solutions:

### Products

Audio	<a href="http://www.ti.com/audio">www.ti.com/audio</a>
Amplifiers	<a href="http://amplifier.ti.com">amplifier.ti.com</a>
Data Converters	<a href="http://dataconverter.ti.com">dataconverter.ti.com</a>
DLP® Products	<a href="http://www.dlp.com">www.dlp.com</a>
DSP	<a href="http://dsp.ti.com">dsp.ti.com</a>
Clocks and Timers	<a href="http://www.ti.com/clocks">www.ti.com/clocks</a>
Interface	<a href="http://interface.ti.com">interface.ti.com</a>
Logic	<a href="http://logic.ti.com">logic.ti.com</a>
Power Mgmt	<a href="http://power.ti.com">power.ti.com</a>
Microcontrollers	<a href="http://microcontroller.ti.com">microcontroller.ti.com</a>
RFID	<a href="http://www.ti-rfid.com">www.ti-rfid.com</a>
OMAP Mobile Processors	<a href="http://www.ti.com/omap">www.ti.com/omap</a>
Wireless Connectivity	<a href="http://www.ti.com/wirelessconnectivity">www.ti.com/wirelessconnectivity</a>

### Applications

Automotive and Transportation	<a href="http://www.ti.com/automotive">www.ti.com/automotive</a>
Communications and Telecom	<a href="http://www.ti.com/communications">www.ti.com/communications</a>
Computers and Peripherals	<a href="http://www.ti.com/computers">www.ti.com/computers</a>
Consumer Electronics	<a href="http://www.ti.com/consumer-apps">www.ti.com/consumer-apps</a>
Energy and Lighting	<a href="http://www.ti.com/energy">www.ti.com/energy</a>
Industrial	<a href="http://www.ti.com/industrial">www.ti.com/industrial</a>
Medical	<a href="http://www.ti.com/medical">www.ti.com/medical</a>
Security	<a href="http://www.ti.com/security">www.ti.com/security</a>
Space, Avionics and Defense	<a href="http://www.ti.com/space-avionics-defense">www.ti.com/space-avionics-defense</a>
Video and Imaging	<a href="http://www.ti.com/video">www.ti.com/video</a>

TI E2E Community Home Page

[e2e.ti.com](http://e2e.ti.com)

Mailing Address: Texas Instruments, Post Office Box 655303, Dallas, Texas 75265  
Copyright © 2012, Texas Instruments Incorporated