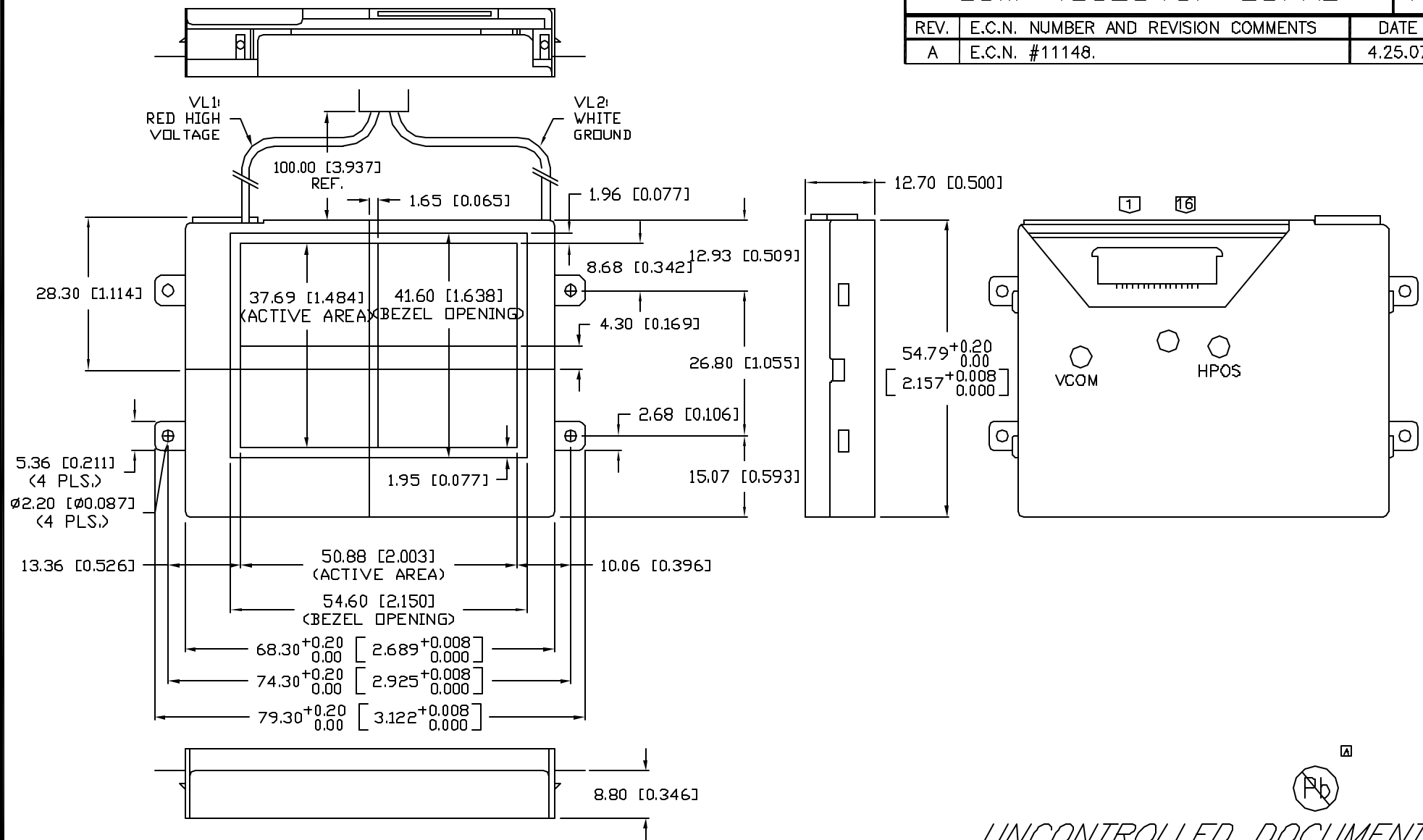


UNCONTROLLED DOCUMENT

PART NUMBER		REV.
LCM-480234GF-25PAL		A
REV.	E.C.N. NUMBER AND REVISION COMMENTS	DATE
A	E.C.N. #11148.	4.25.07



*UNLESS OTHERWISE SPECIFIED TOLERANCES PER DECIMAL PRECISION ARE: X=±1 (±0.039), XX=±0.5 (±0.020), XXX=±0.25 (±0.010), XXXX=±0.127 (±0.005). LEAD SIZE=±0.05 (±0.002), LEAD LENGTH=±0.75 (±0.030). MIN= +DECIMAL PRECISION MAX.= +0.00 -DECIMAL PRECISION

UNCONTROLLED DOCUMENT

REV.	PART NUMBER
A	LCM-480234GF-25PAL
2.5" COLOR TFT MPDULE, 480 x 234 RESOLUTION, PAL INPUT.	

CONFIDENTIAL INFORMATION
THE INFORMATION CONTAINED IN THIS DOCUMENT IS THE PROPERTY OF LUMEX INC. EXCEPT AS SPECIFICALLY AUTHORIZED IN WRITING BY LUMEX INC., THE HOLDER OF THIS DOCUMENT SHALL KEEP ALL INFORMATION CONTAINED HEREIN CONFIDENTIAL AND SHALL PROTECT SAME IN WHOLE OR IN PART FROM DISCLOSURE AND DISSEMINATION TO ALL THIRD PARTIES.

RELIABILITY NOTE
OUR MANY YEARS OF EXPERIENCE DATA ACCUMULATION INDICATE THAT SOLDER HEAT IS A MAJOR CAUSE OF EARLY AND FUTURE FAILURE. PLEASE PAY ATTENTION TO YOUR SOLDERING PROCESS.

LUMEX
290 E. HELEN ROAD
PALATINE, IL 60067-6976
PHONE: +1.847.359.2790
US WEB: www.lumex.com
TW WEB: www.lumex.com.tw

DRAWN BY: JC
CHECKED BY:
APPROVED BY:
DATE: 1.24.00
PAGE: 1 OF 1
SCALE: N/A

REV.	E.C.N. NUMBER AND REVISION COMMENTS	DATE
A	SEE PAGE 1	

TFT CHARACTERISTICS

DISPLAY SIZE	2.5" COLOR TFT LCD
RESOLUTION	480 (w) x 234 (h)
ACTIVE AREA	50.88 (w) x 37.67 (h)
DOT PITCH	0.106 (w) x 0.161 (h)
WEIGHT	120±5 g.
BACKLIGHT	CCFT (10,000 hr. MIN. AT Tamb=25°C)

TFT OPERATING CONDITIONS

PARAMETERS	SYMBOL	MIN	TYP	MAX	UNITS
OPERATING VOLTAGE	Vop	10	12	30	V.D.C.
OPERATING TEMP	Top	0°	~	50°	°C
STORAGE TEMP	Tstg	-25°	~	70°	°C
OPERATING HUMIDITY	Ho			85%	RH
STORAGE HUMIDITY	Hs			85%	RH
INPUT SIGNAL(PAL)*	Vi		1Vp-p		
SYNC NEGATIVE	fH		15.625		KHz
	fV		50		Hz
	fc		4.43		MHz
POWER CONSUMPTION	Pc			6	W

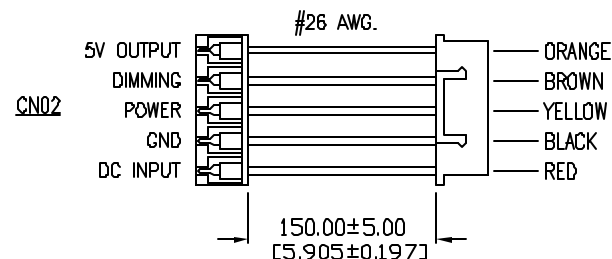
*COMPOSITE VIDEO SIGNAL 1Vp-p/75 OHMS.

OPTICAL CHARACTERISTICS

	SYMBOL	MIN	TYP	MAX
VIEWING ANGLE	RIGHT	45°		
	LEFT	45°		
	UP	10°		
	DOWN	30°		

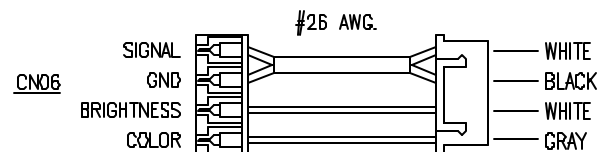
PIN ASSIGNMENT FOR MAIN BOARD

CN02 (5 PINS)					
PARAMETER	COLOR OF WIRE	VOLTAGE		CURRENT	
		MIN.	MAX.	MIN.	MAX.
DC INPUT	RED	10V	30V	-	0.8A
GND	BLACK	-	-	-	-
POWER	YELLOW	0V	5V	0.5mA	-
DIMMING	BROWN	0V	5V	0.5mA	-
5V OUTPUT	ORANGE	4.8V	5.2V	-	3mA



PIN ASSIGNMENT FOR MAIN BOARD

CN06 (4 PINS)					
PARAMETER	COLOR OF WIRE	VOLTAGE		CURRENT	
		MIN.	MAX.	MIN.	MAX.
SIGNAL	WHITE	0.8Vp-p	1.2Vp-p	-	-
GND	BLACK	-	-	-	-
BRIGHTNESS	WHITE	0V	5V	3mA	-
COLOR	GRAY	0V	5V	3mA	-



NOTES:

1. CN02 & CN06 ARE 2mm PITCH CONNECTORS.
2. WIRE LENGTH 150mm.

*UNLESS OTHERWISE SPECIFIED TOLERANCES PER DECIMAL PRECISION ARE: X=±1 (±0.039), X.X=±0.5 (±0.026), X.XX=±0.25 (±0.010), X.XXX=±0.127 (±0.005). LEAD SIZE=±0.05 (±0.002), LEAD LENGTH=±0.75 (±0.030). MIN.= +DECIMAL PRECISION -0.00, MAX.= +0.00 -DECIMAL PRECISION

REV. A	PART NUMBER LCM-480234GF-25PAL
2.5" COLOR TFT MPDULE, 480 x 234 RESOLUTION, PAL INPUT.	

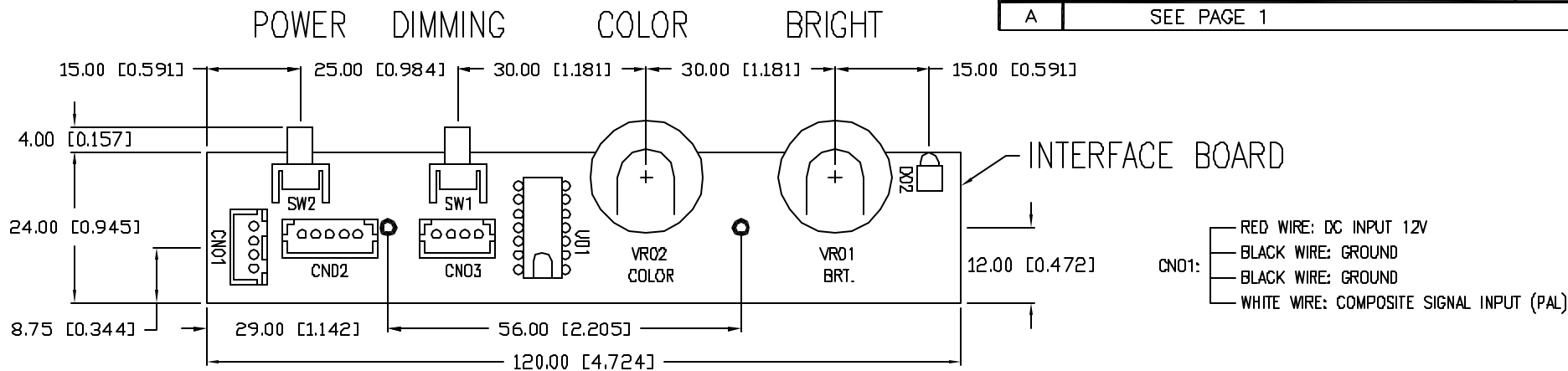
CONFIDENTIAL INFORMATION
THE INFORMATION CONTAINED IN THIS DOCUMENT IS THE PROPERTY OF LUMEX INC. EXCEPT AS SPECIFICALLY AUTHORIZED IN WRITING BY LUMEX INC., THE HOLDER OF THIS DOCUMENT SHALL KEEP ALL INFORMATION CONTAINED HEREIN CONFIDENTIAL AND SHALL PROTECT SAME IN WHOLE OR IN PART FROM DISCLOSURE AND DISSEMINATION TO ALL THIRD PARTIES.

RELIABILITY NOTE
OUR MANY YEARS OF EXPERIENCE DATA ACCUMULATION INDICATE THAT SOLDER HEAT IS A MAJOR CAUSE OF EARLY AND FUTURE FAILURE. PLEASE PAY ATTENTION TO YOUR SOLDERING PROCESS.

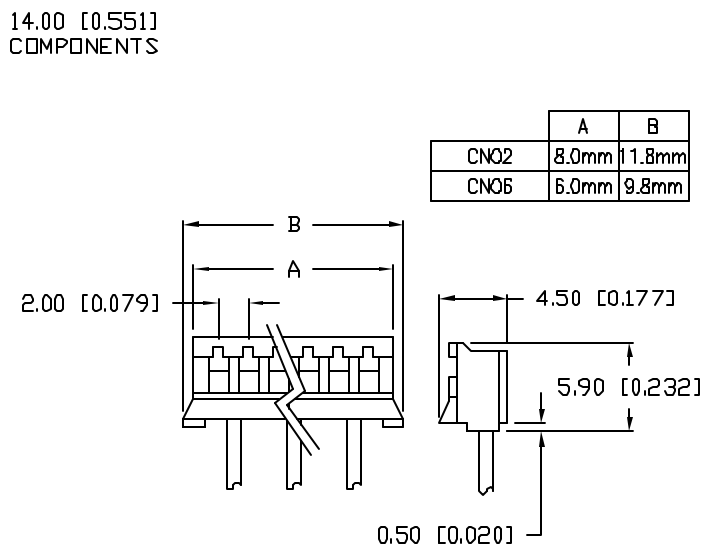
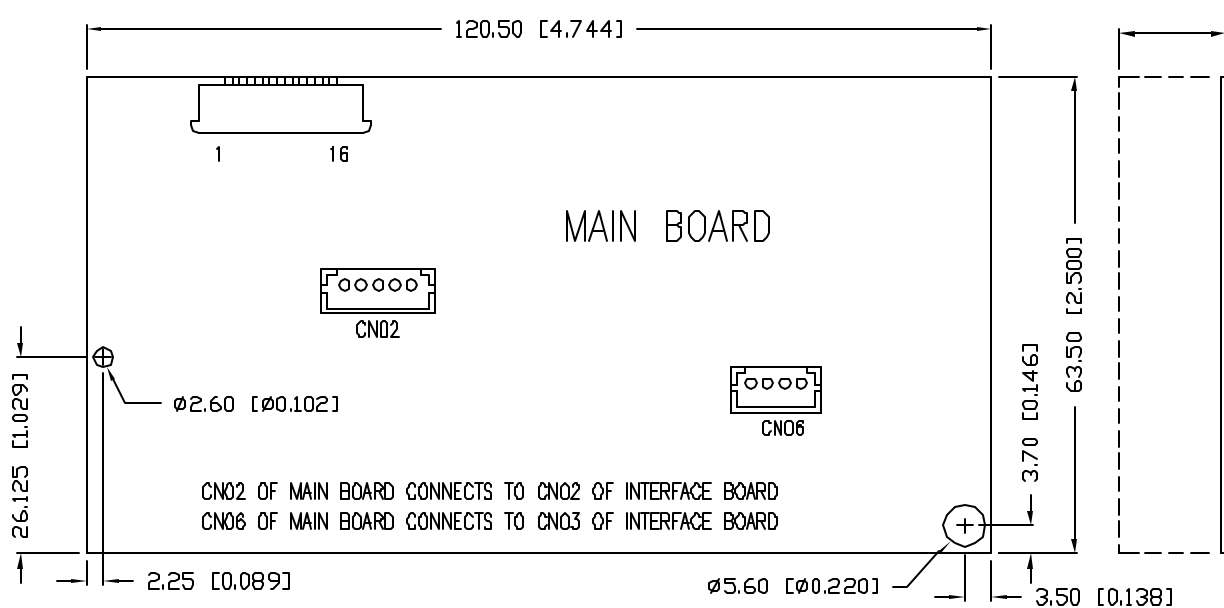
290 E. HELEN ROAD
PALATINE, IL 60067-6976
PHONE: +1.847.359.2790
US WEB: www.lumex.com
TW WEB: www.lumex.com.tw

DRAWN BY: JG	CHECKED BY:	APPROVED BY:	DATE: 1.24.00
			PAGE: 1 OF 1
			SCALE: N/A

REV.	E.C.N. NUMBER AND REVISION COMMENTS	DATE
A	SEE PAGE 1	



- CNO1:
- RED WIRE: DC INPUT 12V
 - BLACK WIRE: GROUND
 - BLACK WIRE: GROUND
 - WHITE WIRE: COMPOSITE SIGNAL INPUT (PAL)



*UNLESS OTHERWISE SPECIFIED TOLERANCES PER DECIMAL PRECISION ARE: X=±1 (±0.039), X.X=±0.5 (±0.020), X.XX=±0.25 (±0.010), X.XXX=±0.127 (±0.005). LEAD SIZE=±0.05 (±0.002), LEAD LENGTH=±0.75 (±0.030). MIN.= +DECIMAL PRECISION -0.00 MAX.= +0.00 -DECIMAL PRECISION

REV. A	PART NUMBER LCM-480234GF-25PAL
2.5" COLOR TFT MPDULE, 480 x 234 RESOLUTION, PAL INPUT.	

CONFIDENTIAL INFORMATION
THE INFORMATION CONTAINED IN THIS DOCUMENT IS THE PROPERTY OF LUMEX INC. EXCEPT AS SPECIFICALLY AUTHORIZED IN WRITING BY LUMEX INC., THE HOLDER OF THIS DOCUMENT SHALL KEEP ALL INFORMATION CONTAINED HEREIN CONFIDENTIAL AND SHALL PROTECT SAME IN WHOLE OR IN PART FROM DISCLOSURE AND DISSEMINATION TO ALL THIRD PARTIES.

RELIABILITY NOTE
OUR MANY YEARS OF EXPERIENCE DATA ACCUMULATION INDICATE THAT SOLDER HEAT IS A MAJOR CAUSE OF EARLY AND FUTURE FAILURE. PLEASE PAY ATTENTION TO YOUR SOLDERING PROCESS.

		290 E. HELEN ROAD PALATINE, IL 60067-6976 PHONE: +1.847.359.2790 US WEB: www.lumex.com TW WEB: www.lumex.com.tw	
		DRAWN BY: JG	CHECKED BY: