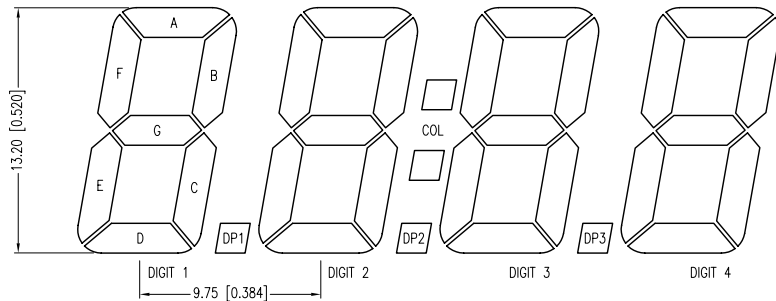
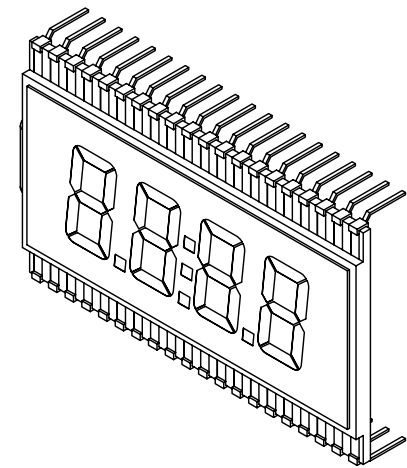
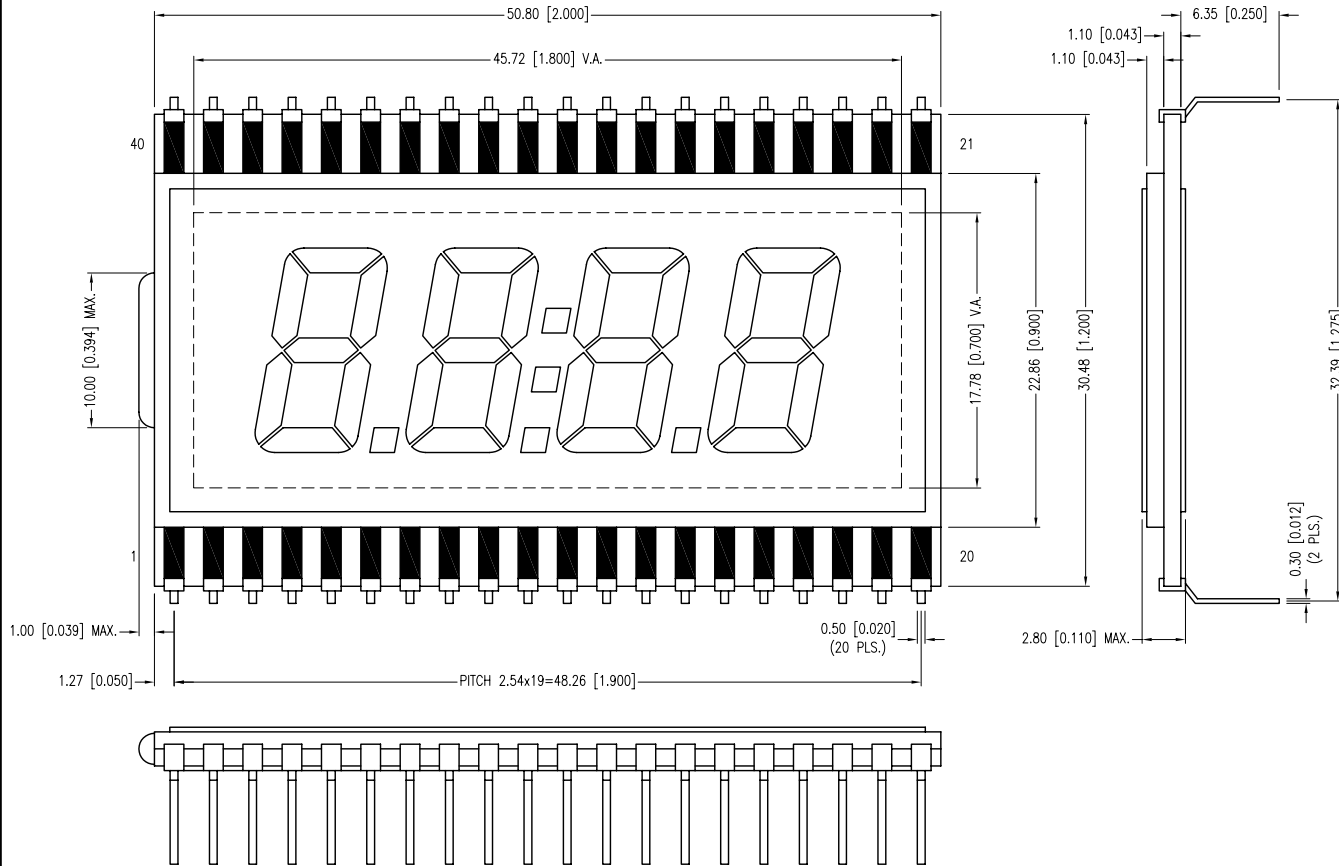


PART NUMBER	LCD-S401C52TF	REV.	A
DATE	E.C.N. NUMBER AND REVISION COMMENTS		REV.
02.24.12	E.C.N. #10BRDR. & REDRAWN.		A



PIN	1	2	3	4	5	6	7	8	9	10
SEGMENT	COM	N/C	N/C	N/C	1E	1D	1C	DP1	2E	2D
PIN	11	12	13	14	15	16	17	18	19	20
SEGMENT	2C	DP2	3E	3D	3C	DP3	4E	4D	4C	4B
PIN	21	22	23	24	25	26	27	28	29	30
SEGMENT	4A	4F	4C	3B	3A	3F	3C	COL	2B	2A
PIN	31	32	33	34	35	36	37	38	39	40
SEGMENT	2F	2G	N/C	1B	1A	1F	1G	N/C	N/C	COM

CHARACTERISTICS	
FLUID TYPE	TN
BACKGROUND COLOR	GRAY
VIEWING DIRECTION	6:00
DISPLAY MODE	TRANSFLECTIVE
OPERATING VOLTAGE	5.0V AC
OPERATING TEMP.	0°C TO +50°C
STORAGE TEMP.	-20°C TO +70°C
DRIVING METHOD	STATIC
CONNECTION TYPE	40 PINS

\*UNLESS OTHERWISE SPECIFIED TOLERANCES PER DECIMAL PRECISION ARE: X=±1 (±0.039), X.X=±0.5 (±0.020), X.XX=±0.25 (±0.010), X.XXX=±0.127 (±0.005). LEAD SIZE=±0.05 (±0.002), LEAD LENGTH=±0.75 (±0.030). MIN= +DECIMAL PRECISION MAX.= +0.00 -DECIMAL PRECISION



290 E. HELEN ROAD  
PALATINE, IL 60067-6976  
PHONE: +1.847.359.2790  
FAX: +1.847.359.6538  
WEB: WWW.LUMEX.COM

0.52" CHARACTER HEIGHT, FOUR DIGIT LCD GLASS, TN, TRANSFLECTIVE, 40 PINS.

\*\*THE SPECIFICATIONS MAY CHANGE AT ANY TIME WITHOUT NOTICE DUE TO NEW MATERIALS OR PRODUCT IMPROVEMENT.\*\*

CONFIDENTIAL INFORMATION  
THE INFORMATION CONTAINED IN THIS DOCUMENT IS THE PROPERTY OF LUMEX INC. EXCEPT AS SPECIFICALLY AUTHORIZED IN WRITING BY LUMEX INC., THE HOLDER OF THIS DOCUMENT SHALL KEEP ALL INFORMATION CONTAINED HEREIN CONFIDENTIAL AND SHALL PROTECT SAME IN WHOLE OR IN PART FROM DISCLOSURE AND DISSEMINATION TO ALL THIRD PARTIES.

DATE:	02.24.12	DRAWN BY:	AB
PAGE:	1 OF 1	CHKD BY:	DT
SCALE:	NTS	APRVD BY:	DT
UNIT:	mm [INCH]		