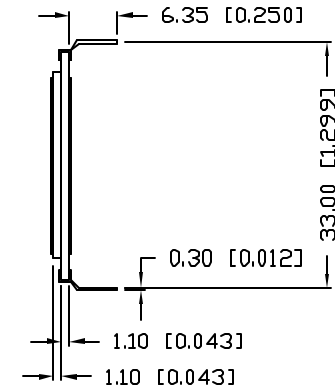
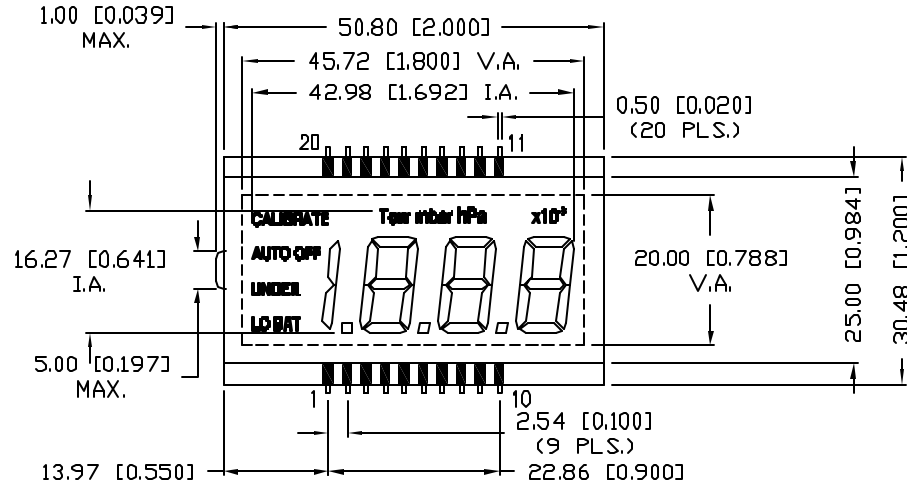
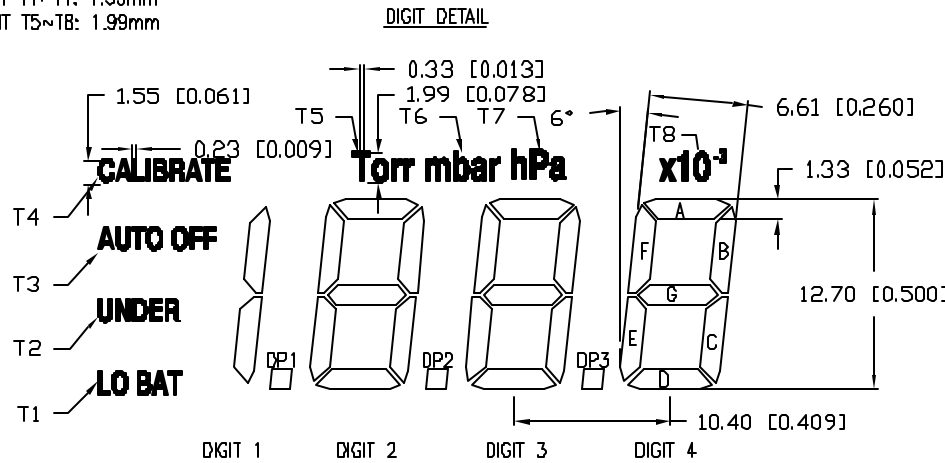


PART NUMBER <b>LCD-S3X1M51TR</b>		REV. <b>A</b>
REV. <b>A</b>	E.C.N. NUMBER AND REVISION COMMENTS <b>#11148.</b>	DATE <b>02.07.07</b>



**NOTE:**

1. TEXT HEIGHT T1~T4: 1.55mm
2. TEXT HEIGHT T5~T8: 1.99mm



CHARACTERISTICS	
FLUID TYPE:	TN
BACKGROUND COLOR:	GRAY
VIEWING DIRECTION:	6:00
DISPLAY MODE:	REFLECTIVE
OPERATING VOLTAGE:	2.8 VAC
OPERATING TEMP.	0°C TO 50°C
STORAGE TEMP.	-20°C TO 70°C
DRIVING METHODE:	1/2 DUTY, 1/2 BIAS
CONNECTION TYPE:	20 PINS

PIN NO.	1	2	3	4	5	6	7	8	9	10
COM1	DP1	2E	2D	2C	3E	3D	3C	4E	4D	4C
COM2	1BC	2F	2G	2B	3F	3G	3B	4F	4G	4B
PIN NO.	11	12	13	14	15	16	17	18	19	20
COM1	T8	DP3	/	/	DP2	T5	T4	T1	/	COM1
COM2	4A	3A	T7	T6	2A	/	T3	T2	COM2	/

\*UNLESS OTHERWISE SPECIFIED TOLERANCES PER DECIMAL PRECISION ARE: X=±1 (±0.039), XX=±0.5 (±0.020), XXX=±0.25 (±0.010), XXXX=±0.127 (±0.005). LEAD SIZE=±0.05 (±0.002), LEAD LENGTH=±0.75 (±0.030). MIN.= +0.00 -0.00 MAX.= +0.00 -0.00



REV. <b>A</b>	PART NUMBER <b>LCD-S3X1M51TR</b>
3 1/2 DIGIT CUSTOM LCD PANEL, TN, REFLECTIVE, 1/2 DUTY, 1/2 BIAS, 6:00 VIEW, 20 PINS, 2.8V.	

**CONFIDENTIAL INFORMATION**  
THE INFORMATION CONTAINED IN THIS DOCUMENT IS THE PROPERTY OF LUMEX INC. EXCEPT AS SPECIFICALLY AUTHORIZED IN WRITING BY LUMEX INC., THE HOLDER OF THIS DOCUMENT SHALL KEEP ALL INFORMATION CONTAINED HEREIN CONFIDENTIAL AND SHALL PROTECT SAME IN WHOLE OR IN PART FROM DISCLOSURE AND DISSEMINATION TO ALL THIRD PARTIES.

**RELIABILITY NOTE**  
OUR MANY YEARS OF EXPERIENCE DATA ACCUMULATION INDICATE THAT SOLDER HEAT IS A MAJOR CAUSE OF EARLY AND FUTURE FAILURE. PLEASE PAY ATTENTION TO YOUR SOLDERING PROCESS.

		290 E. HELEN ROAD PALATINE, IL 60067-6976 PHONE: +1.847.359.2790 US WEB: www.lumex.com TW WEB: www.lumex.com.tw	
DRAWN BY: <b>jc</b>	CHECKED BY:	APPROVED BY:	DATE: <b>3.9.05</b> PAGE: <b>1 OF 1</b> SCALE: <b>N/A</b>