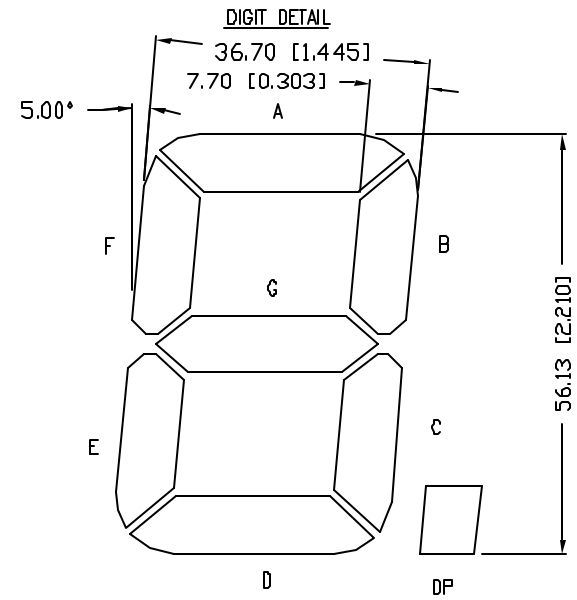
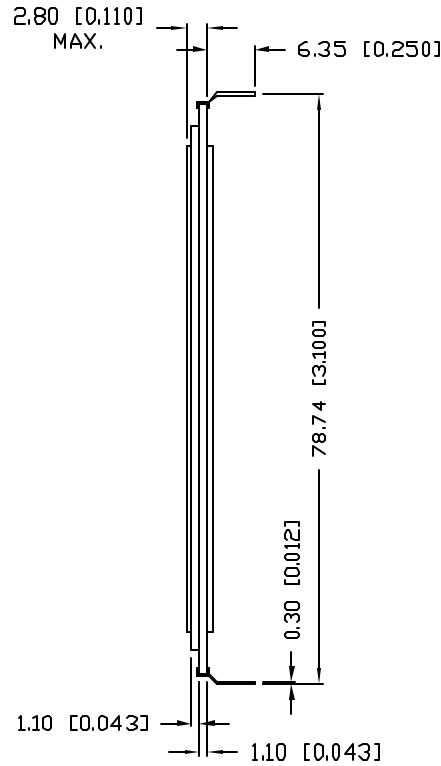
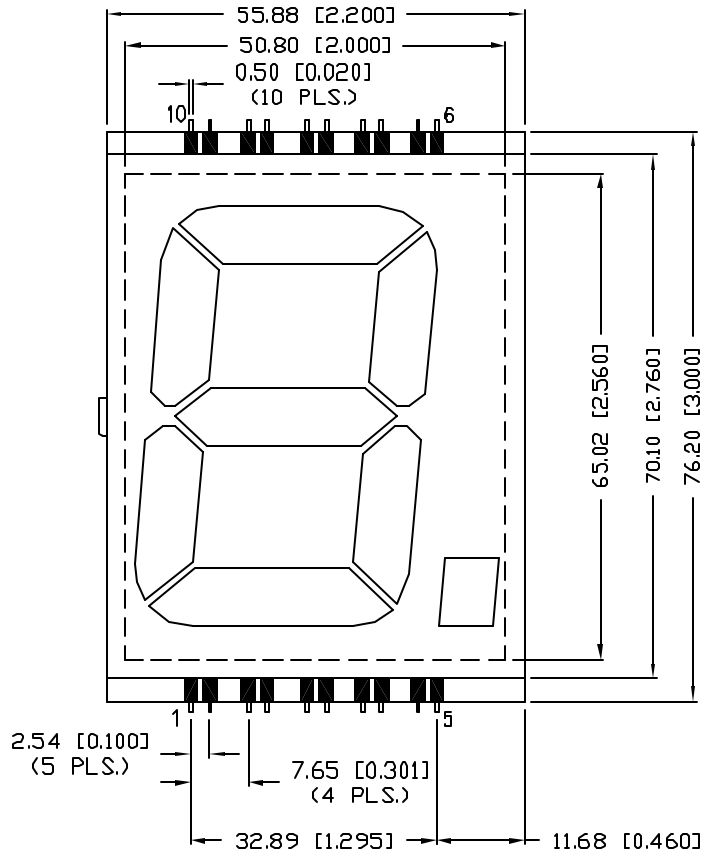


UNCONTROLLED DOCUMENT

PART NUMBER LCD-H101D22TF		REV. A
REV. A	E.C.N. NUMBER AND REVISION COMMENTS E.C.N. #11148.	DATE 02.06.07

CHARACTERISTICS	
FLUID TYPE:	TN
BACKGROUND COLOR:	GRAY
VIEWING DIRECTION:	8:00
DISPLAY MODE:	TRANSFLECTIVE
OPERATING VOLTAGE:	5V A.C.
OPERATING TEMP.	-30°C TO 80°C
STORAGE TEMP.	-40°C TO 85°C
DRIVING METHODE:	STATIC
CONNECTION TYPE:	2 PINS PER PAD X 10

PIN NO.	1	2	3	4	5	6	7	8	9	10
SEGMENT	COM	E	D	C	DP	G	B	A	F	COM



UNCONTROLLED DOCUMENT

*UNLESS OTHERWISE SPECIFIED TOLERANCES PER DECIMAL PRECISION ARE: X=±1 (±0.039), XX=±0.5 (±0.020), XXX=±0.25 (±0.010), XXXX=±0.127 (±0.005). LEAD SIZE=±0.05 (±0.002), LEAD LENGTH=±0.75 (±0.030). MIN.= +DECIMAL PRECISION -0.00 MAX.= +0.00 -DECIMAL PRECISION

REV. A	PART NUMBER LCD-H101D22TF
2.21" CHARACTER HEIGHT, SINGLE DIGIT LCD GLASS, 5V, TN, TRANSFLECTIVE, 20 PINS, WIDE OPERATING TEMP.	

CONFIDENTIAL INFORMATION
THE INFORMATION CONTAINED IN THIS DOCUMENT IS THE PROPERTY OF LUMEX INC. EXCEPT AS SPECIFICALLY AUTHORIZED IN WRITING BY LUMEX INC., THE HOLDER OF THIS DOCUMENT SHALL KEEP ALL INFORMATION CONTAINED HEREIN CONFIDENTIAL AND SHALL PROTECT SAME IN WHOLE OR IN PART FROM DISCLOSURE AND DISSEMINATION TO ALL THIRD PARTIES.

RELIABILITY NOTE
OUR MANY YEARS OF EXPERIENCE DATA ACCUMULATION INDICATE THAT SOLDER HEAT IS A MAJOR CAUSE OF EARLY AND FUTURE FAILURE. PLEASE PAY ATTENTION TO YOUR SOLDERING PROCESS.

290 E. HELEN ROAD
PALATINE, IL 60067-6976
PHONE: +1.847.359.2790
US WEB: www.lumex.com
TW WEB: www.lumex.com.tw

DRAWN BY: jc	CHECKED BY:	APPROVED BY:	DATE: 8.8.05
			PAGE: 1 OF 1
			SCALE: N/A