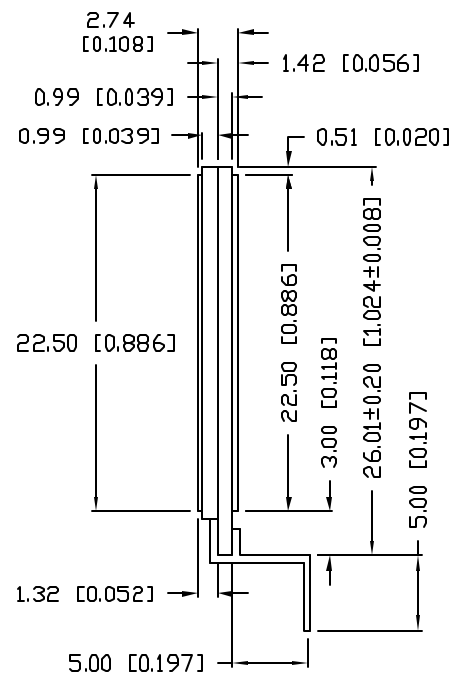
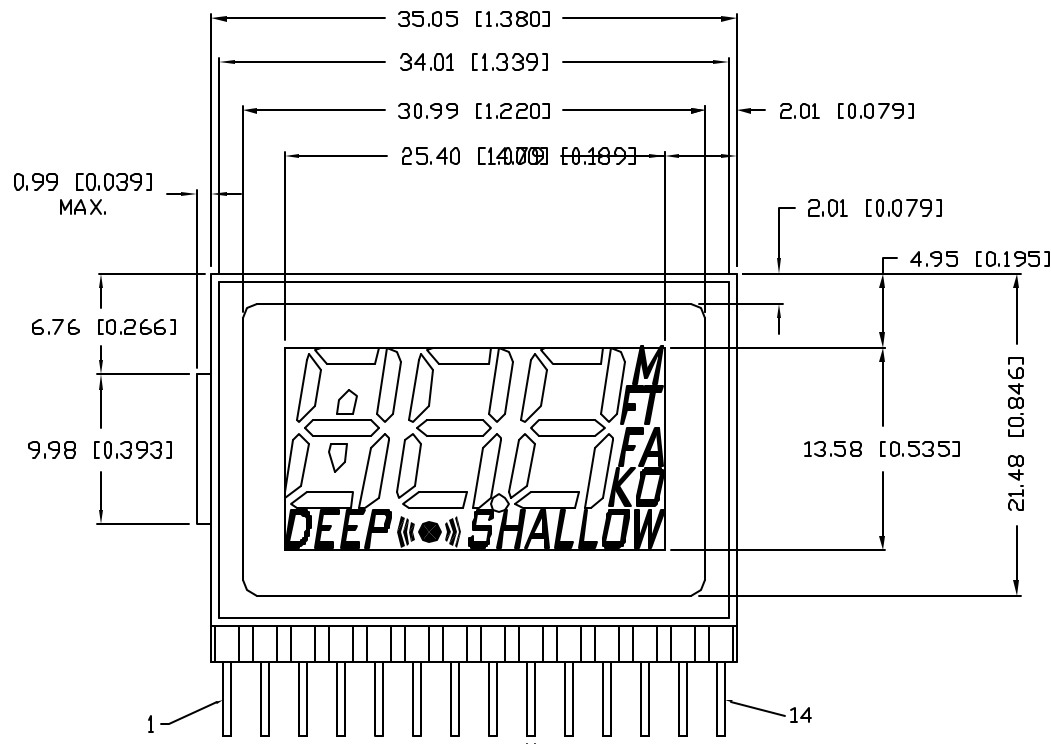
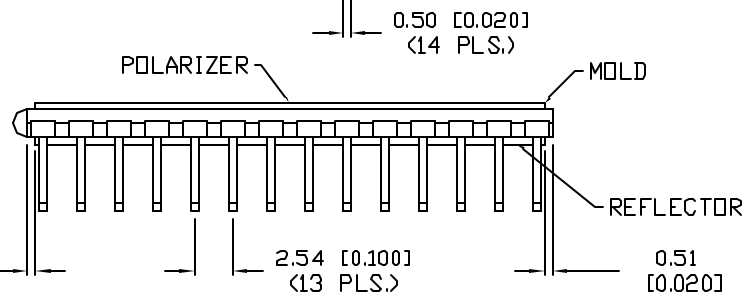


UNCONTROLLED DOCUMENT

PART NUMBER		REV.
LCD-H301M43TF-1		A
REV.	E.C.N. NUMBER AND REVISION COMMENTS	DATE
A	E.C.N. #11148.	02.06.07



CHARACTERISTICS	
FLUID TYPE:	TN, POSITIVE
BACKGROUND COLOR:	GRAY
VIEWING DIRECTION:	12:00
DISPLAY MODE:	TRANSFLECTIVE
OPERATING VOLTAGE:	5.0V A.C.
OPERATING TEMP.	-10°C TO 85°C
STORAGE TEMP.	-10°C TO 85°C
DRIVING METHOD:	1/3 DUTY
CONNECTION TYPE:	14 PINS



NOTES:

PIN#	1	2	3	4	5	6	7	8	9	10	11	12	13	14
SEG	COM	/	/	1F	/	1A	1B	2F	2A	2B	3F	3A	3B	M
SEG	/	COM	/	1E	/	1G	1C	2E	2G	2C	3E	3G	3C	FT
SEG	/	/	COM DP)))	1H,1I	1D	•	/	2D	DEC	SH(((	3D	KD	FA	

REPLACES PART #: LCD-2513L41T3PX

\*UNLESS OTHERWISE SPECIFIED TOLERANCES PER DECIMAL PRECISION ARE: X=±1 (±0.039), XX=±0.5 (±0.020), XXX=±0.25 (±0.010), XXXX=±0.127 (±0.005). LEAD SIZE=±0.05 (±0.002), LEAD LENGTH=±0.75 (±0.030), MIN= <sup>+0.00</sup> <sub>-0.00</sub> DECIMAL PRECISION MAX.= <sup>+0.00</sup> <sub>-0.00</sub> DECIMAL PRECISION

UNCONTROLLED DOCUMENT

REV.	PART NUMBER
A	LCD-H301M43TF-1

**CONFIDENTIAL INFORMATION**  
 THE INFORMATION CONTAINED IN THIS DOCUMENT IS THE PROPERTY OF LUMEX INC. EXCEPT AS SPECIFICALLY AUTHORIZED IN WRITING BY LUMEX INC, THE HOLDER OF THIS DOCUMENT SHALL KEEP ALL INFORMATION CONTAINED HEREIN CONFIDENTIAL AND SHALL PROTECT SAME IN WHOLE OR IN PART FROM DISCLOSURE AND DISSEMINATION TO ALL THIRD PARTIES.



290 E. HELEN ROAD  
 PALATINE, IL 60067-6976  
 PHONE: +1.847.359.2790  
 US WEB: www.lumex.com  
 TW WEB: www.lumex.com.tw

CUSTOM LCD GLASS, TRANSFLECTIVE.

**RELIABILITY NOTE**  
 OUR MANY YEARS OF EXPERIENCE DATA ACCUMULATION INDICATE THAT SOLDER HEAT IS A MAJOR CAUSE OF EARLY AND FUTURE FAILURE. PLEASE PAY ATTENTION TO YOUR SOLDERING PROCESS.

DRAWN BY:	CHECKED BY:	APPROVED BY:	DATE: 11.19.98
JC			PAGE: 1 OF 1
			SCALE: N/A