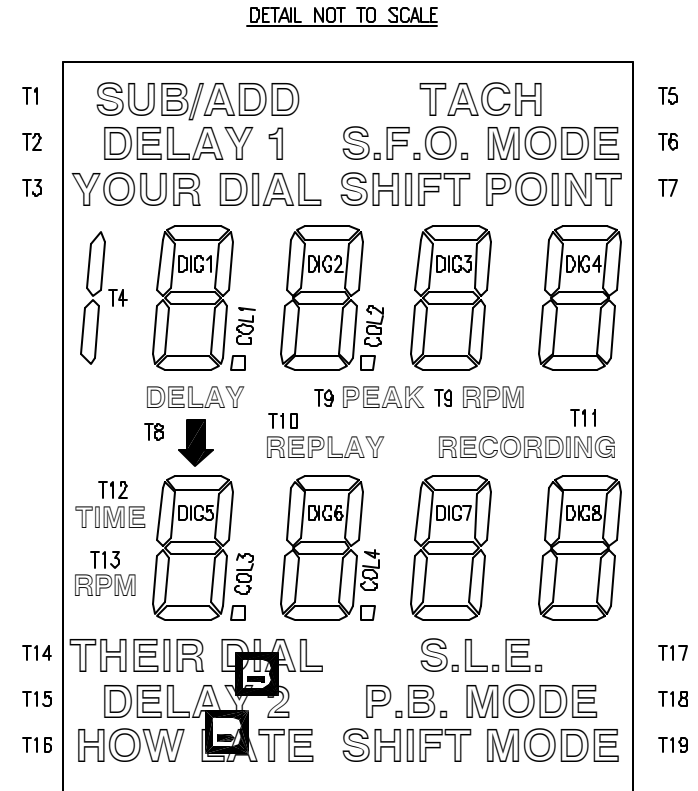
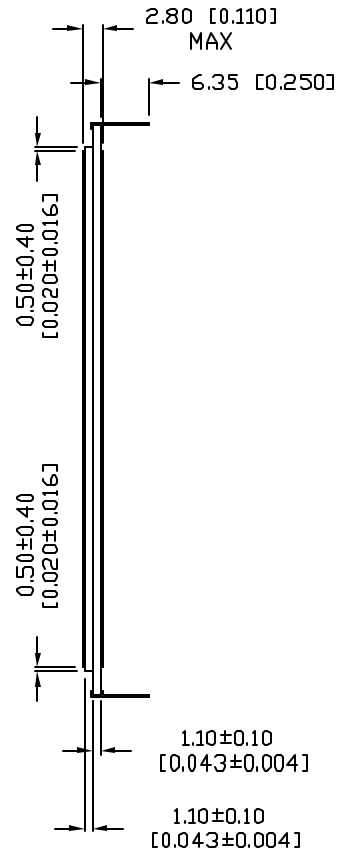
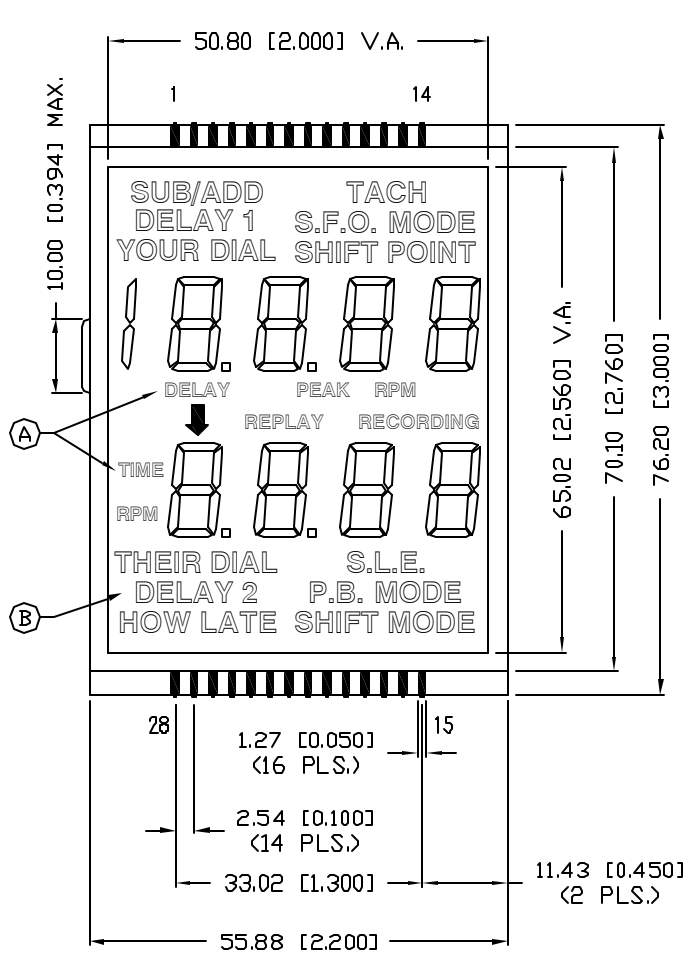


UNCONTROLLED DOCUMENT

PART NUMBER LCD-H4X2M50TF-1		REV. A
REV. A	E.C.N. NUMBER AND REVISION COMMENTS E.C.N. #11148.	DATE 02.06.07



*UNLESS OTHERWISE SPECIFIED TOLERANCES PER DECIMAL PRECISION ARE: X=±1 (±0.039), XX=±0.5 (±0.020), XXX=±0.25 (±0.010), XXXX=±0.127 (±0.005). LEAD SIZE=±0.05 (±0.002), LEAD LENGTH=±0.75 (±0.030). MIN= +DECIMAL PRECISION -0.00 MAX= +0.00 -DECIMAL PRECISION

REV. A	PART NUMBER LCD-H4X2M50TF
0.50" CHARACTER HEIGHT, 8 DIGIT CUSTOM LCD GLASS, EXTENDED OPERATING TEMPERATURE, 1/3 BIAS, TN, TRANSFLECTIVE, TOP VIEW, 1/3 DUTY, 28 PINS.	

CONFIDENTIAL INFORMATION
THE INFORMATION CONTAINED IN THIS DOCUMENT IS THE PROPERTY OF LUMEX INC. EXCEPT AS SPECIFICALLY AUTHORIZED IN WRITING BY LUMEX INC., THE HOLDER OF THIS DOCUMENT SHALL KEEP ALL INFORMATION CONTAINED HEREIN CONFIDENTIAL AND SHALL PROTECT SAME IN WHOLE OR IN PART FROM DISCLOSURE AND DISSEMINATION TO ALL THIRD PARTIES.

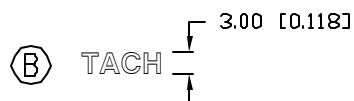
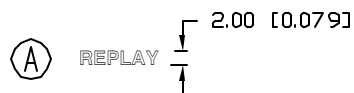
RELIABILITY NOTE
OUR MANY YEARS OF EXPERIENCE DATA ACCUMULATION INDICATE THAT SOLDER HEAT IS A MAJOR CAUSE OF EARLY AND FUTURE FAILURE. PLEASE PAY ATTENTION TO YOUR SOLDERING PROCESS.

LUMEX
290 E. HELEN ROAD
PALATINE, IL 60067-6976
PHONE: +1.847.359.2790
US WEB: www.lumex.com
TW WEB: www.lumex.com.tw

DRAWN BY: jc	CHECKED BY:	APPROVED BY:	DATE: 6.24.99
			PAGE: 1 OF 1
			SCALE: N/A

16

PART NUMBER		REV.
LCD-H4X2M50TF-1		A
REV.	E.C.N. NUMBER AND REVISION COMMENTS	DATE
A	SEE PAGE #1	



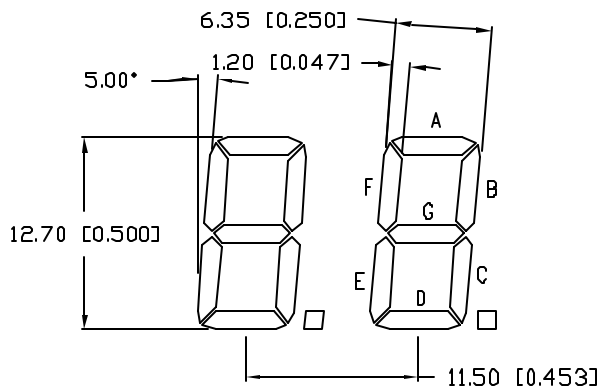
CHARACTERISTICS	
FLUID TYPE	TN
BACKGROUND COLOR	GRAY
VIEWING DIRECTION	12:00
DISPLAY MODE	TRANSFLECTIVE
OPERATING VOLTAGE	5.0V A.C.
OPERATING TEMP.	-30°C TO 75°C
STORAGE TEMP.	-40°C TO 85°C
DRIVING METHOD	1/3 DUTY, 1/3 BIAS
CONNECTION TYPE	28 PINS

NOTES:

1. SEGMENTS T1, T8, T16 TURN ON TOGETHER.
2. SEGMENTS T2 AND T15 TURN ON TOGETHER.
3. SEGMENTS T3 AND T14 TURN ON TOGETHER.
4. SEGMENTS T7 AND T17 TURN ON TOGETHER.
5. SEGMENTS T5 AND T19 TURN ON TOGETHER.
6. SEGMENTS T6 AND T18 TURN ON TOGETHER.

PIN OUT			
PIN NO.	COM1	COM2	COM3
1	COM1		
2		COM2	
3			COM3
4	1E	1F	T2+T15
5	1G	1A	1D
6	1C	1B	T4
7	2E	2F	COL1
8	2G	2A	2D
9	2C	2B	COL2
10	3E	3F	T3+T14
11	3G	3A	3D
12	3C	3B	T9
13	4E	4F	T7+T17
14	4G	4A	4D
15	4C	4B	T5+T19
16	8C	8B	T6+T18
17	8G	8A	8D
18	8E	8F	
19	7C	7B	T11
20	7G	7A	7D
21	7E	7F	COL4
22	6C	6B	T10
23	6G	6A	6D
24	6E	6F	COL3
25	5C	5B	T13
26	5G	5A	5D
27	5E	5F	T12
28			T1+T8+T16

CHARACTER DETAIL



*UNLESS OTHERWISE SPECIFIED TOLERANCES PER DECIMAL PRECISION ARE: X=±1 (±0.039), X.X=±0.5 (±0.020), X.XX=±0.25 (±0.010), X.XXX=±0.127 (±0.005). LEAD SIZE=±0.05 (±0.002), LEAD LENGTH=±0.75 (±0.030). MIN=+DECIMAL PRECISION MAX=-DECIMAL PRECISION

REV.	PART NUMBER
A	LCD-H4X2M50TF-1
0.50" CHARACTER HEIGHT, 8 DIGIT CUSTOM LCD GLASS, EXTENDED OPERATING TEMPERATURE, 1/3 BIAS TN, TRANSFLECTIVE, TOP VIEW, 1/3 DUTY, 28 PINS.	

CONFIDENTIAL INFORMATION
 THE INFORMATION CONTAINED IN THIS DOCUMENT IS THE PROPERTY OF LUMEX INC. EXCEPT AS SPECIFICALLY AUTHORIZED IN WRITING BY LUMEX INC., THE HOLDER OF THIS DOCUMENT SHALL KEEP ALL INFORMATION CONTAINED HEREIN CONFIDENTIAL AND SHALL PROTECT SAME IN WHOLE OR IN PART FROM DISCLOSURE AND DISSEMINATION TO ALL THIRD PARTIES.
 RELIABILITY NOTE
 OUR MANY YEARS OF EXPERIENCE DATA ACCUMULATION INDICATE THAT SOLDER HEAT IS A MAJOR CAUSE OF EARLY AND FUTURE FAILURE. PLEASE PAY ATTENTION TO YOUR SOLDERING PROCESS.

DRAWN BY: JC
 CHECKED BY:
 APPROVED BY:
 DATE: 6.24.99
 PAGE: 1 OF 1
 SCALE: N/A

290 E. HELEN ROAD
 PALATINE, IL 60067-6976
 PHONE: +1.847.359.2790
 US WEB: www.lumex.com
 TW WEB: www.lumex.com.tw