

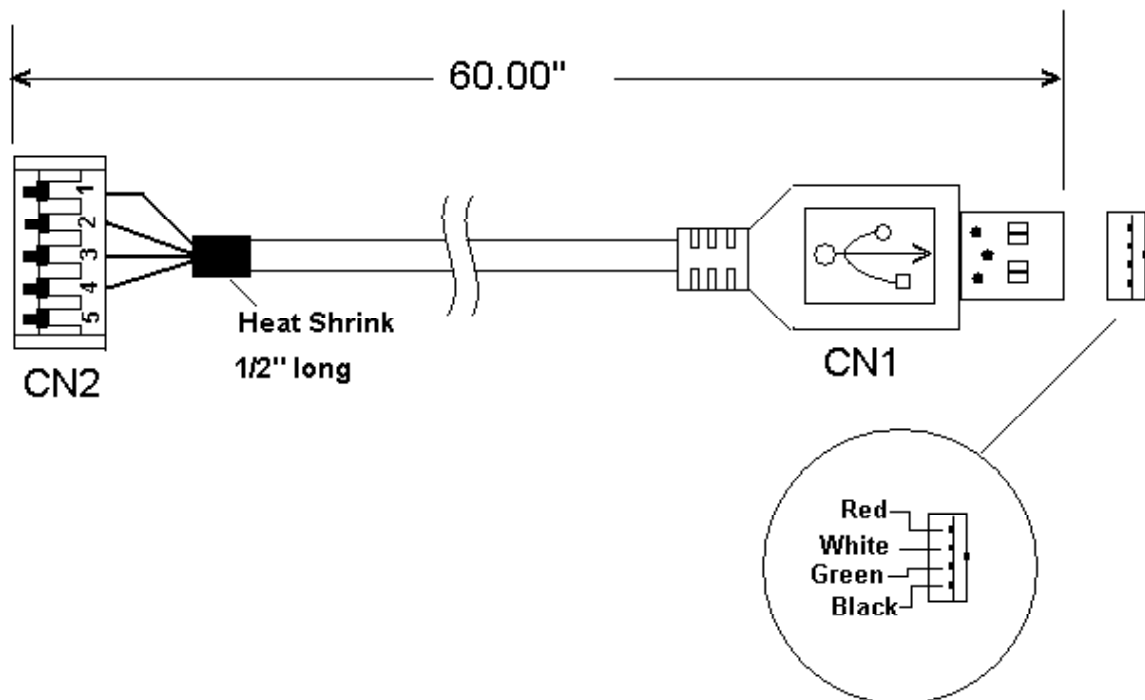
Touch Panel Accessories

Controller Board Interface Cables

- **CABLE/RTP/RS232:** Serial Host Interface Cable for N16B-0558-B270 (4-wire) and N16B-0558-B280 (7-wire) **RoHS compliant**
- **CABLE/RTP/USB:** USB Host Interface Cable for N16B-0558-B230 (4-wire) and N16B-0558-B240 (7-wire) **RoHS compliant**
- **N01L-0536-0005:** Serial Alternate Host Interface Cable for N16B-0558-B230 (4-wire) and N16B-0558-B240 (7-wire)
- **N01L-0536-0006:** USB Alternate Host Interface Cable for N16B-0558-B230 (4-wire) and N16B-0558-B240 (7-wire)

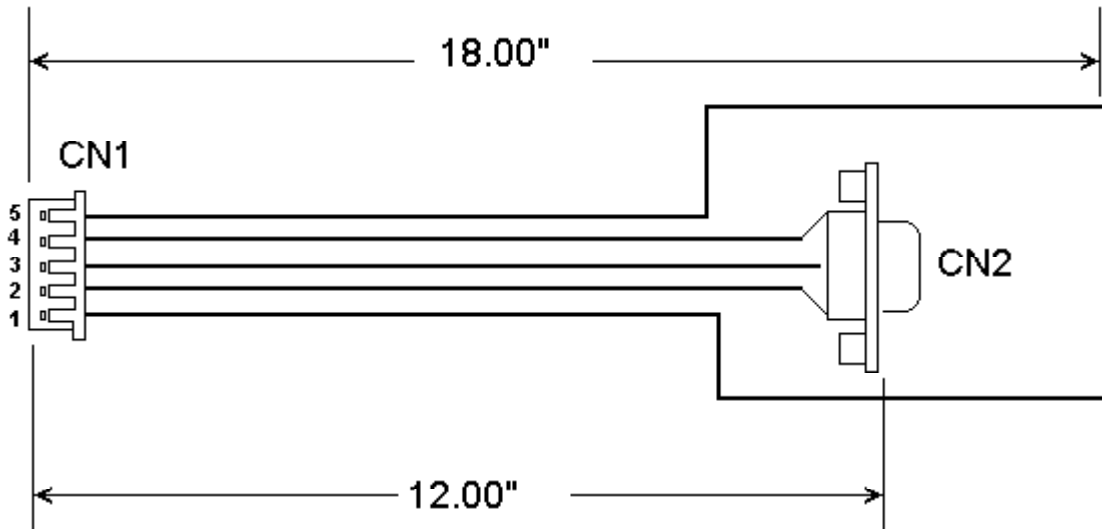
These cables are offered as a convenience to customers prototyping, testing, and small production lot use.

- **CABLE / RTP / USB**



Controller Board Interface Cables

■ CABLE / RTP / RS232



Fujitsu Components International Headquarter Offices

Japan

Fujitsu Component Limited
Gotanda-Chuo Building
3-5, Higashigotanda 2-chome, Shinagawa-ku
Tokyo 141, Japan
Tel: (81-3) 5449-7010
Fax: (81-3) 5449-2626
Email: promothq@ft.ed.fujitsu.com
Web: www.fcl.fujitsu.com

North and South America

Fujitsu Components America, Inc.
250 E. Caribbean Drive
Sunnyvale, CA 94089 U.S.A.
Tel: (1-408) 745-4900
Fax: (1-408) 745-4970
Email: components@us.fujitsu.com
Web: <http://us.fujitsu.com/components>

Europe

Fujitsu Components Europe B.V.
Diamantlaan 25
2132 WV Hoofddorp
Netherlands
Tel: (31-23) 5560910
Fax: (31-23) 5560950
Email: info@fceu.fujitsu.com
Web: emea.fujitsu.com/components/

Asia Pacific

Fujitsu Components Asia Ltd.
102E Pasir Panjang Road
#01-01 Citilink Warehouse Complex
Singapore 118529
Tel: (65) 6375-8560
Fax: (65) 6273-3021
Email: fcal@fcal.fujitsu.com
Web: <http://www.fujitsu.com/sg/services/micro/components/>

©2009 Fujitsu Components America, Inc. All rights reserved. All trademarks or registered trademarks are the property of their respective owners.

Fujitsu Components America or its affiliates do not warrant that the content of datasheet is error free. In a continuing effort to improve our products Fujitsu Components America, Inc. or its affiliates reserve the right to change specifications/datasheets without prior notice.
Rev. September 30, 2009.