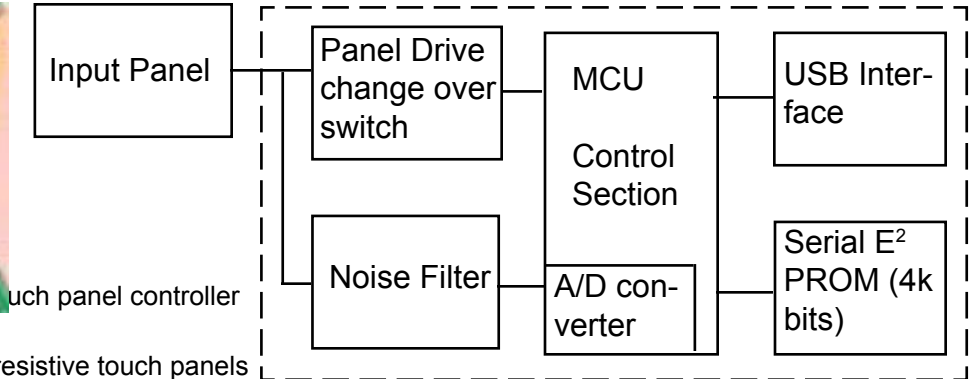


STANDARD Micro Controller Specification

NC41120-0015 USB Interface Controller Chip

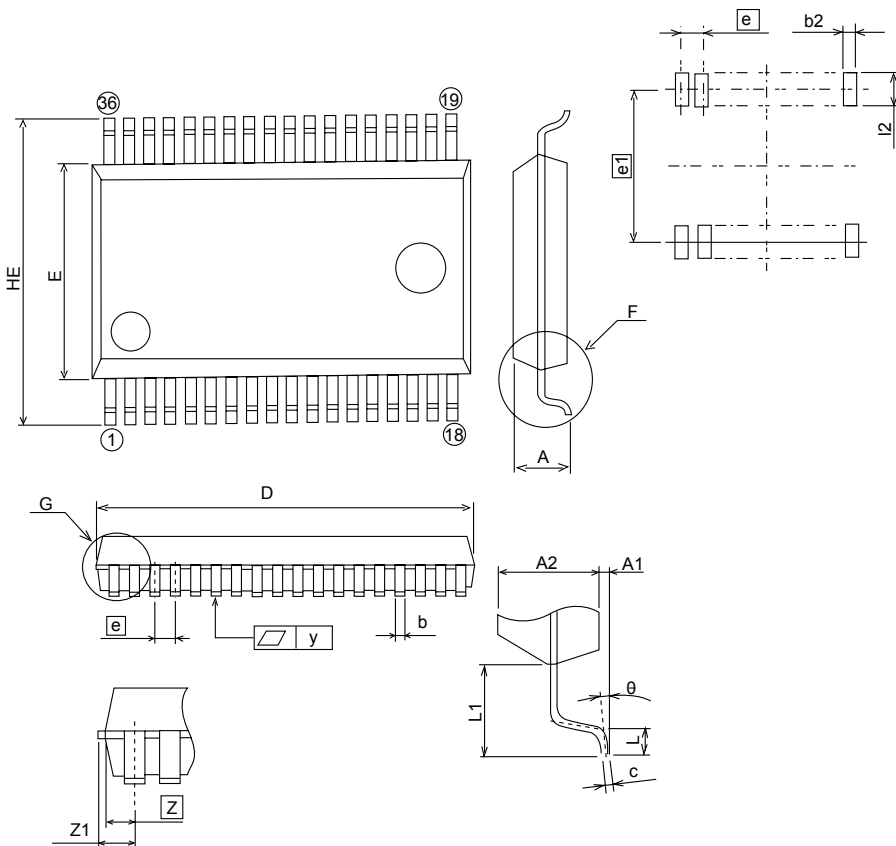
7- Wire Summary Sheet

■ FEATURES



- USB 1.1 Interface
- Used to control the 7-Wire resistive touch panels

■ CONSTRUCTION



Symbol	Dimension in Millimeters		
	Min.	Nom	Max
A	—	—	2.4
A1	0.05	—	—
A2	—	2.0	—
b	0.35	0.4	0.5
c	0.13	0.15	0.2
D	14.8	15.0	15.2
E	8.2	8.4	8.6
e	—	0.8	—
HE	11.62	11.93	12.23
L	0.3	0.5	0.7
L1	—	1.765	—
Z	—	0.7	—
Z1	—	—	0.8
y	—	—	0.15
θ	0°	—	10°
b2	—	0.5	—
e1	—	11.43	—
l2	1.27	—	—

USB Interface Controller Chip

■ INPUT / OUTPUT TERMINAL SUMMARY

No.	Name	I/O	Function
1	Wheel right	I	Right button
2	Wheel left	I	Left button
3	CNTR0	I	Connect to 4 pins
4	EMSR0/PMSR	I	Panel voltage measurement
5	EMSR1/EMSR0	I	Panel voltage measurement
6	EMSR2/EMSR1	I	Panel voltage measurement
7	EMSR2/EMSR2	I	Panel voltage measurement
8	JPHID/EMSR3	I	Select HID class/ panel voltage measurement
9	PID1	O	PID select terminal
10	PID2	O	PID select terminal
11	PID3	O	PID select terminal
12	Vref	-	A/D converter standard voltage input pin
13	Reset	I	Reset input pin
14	CNVss	-	Connect to Vss
15	Vcc	-	Digital power supply pin (5V)
16	Xin	I	Input pin for oscillation
17	Xout	O	Input pin for oscillation
18	Vss	-	Digital power supply pin (0V)
19	OS3	I	Pin for original point selection
20	OS2	I	Pin for original point selection
21	OS1	I	Pin for original point selection
22	WheelUP	I	Upper scroll button
23	WheelDOWN	I	Down scroll button
24	JPMODE	I	Select 4-wire or 7-wire
25	Module Disable	I	Disconnection operate simulation term
26	USBVref	O	USB standard voltage output pin
27	PSW3	O	Output pin for panel drive switch control
28	PSW4	O	Output pin for panel drive switch control
29	PSW1	O	Output pin for panel drive switch control
30	PSW2	O	Output pin for panel drive switch control
31	PSW0	O	Output pin for panel drive switch control
32	ButtonLeft	I	Left Button
33	ButtonRight	I	Right Button
34	ButtonMiddle	I	Center Button
35	USB D-	I/O	USB input/output terminal
36	USB D+	I/O	USB input/output terminal

USB Interface Controller Chip

■ PART NUMBER OF COMPLETE CHIP SPECIFICATION

Part Number	Number of Pages	Full Technical Documentation Reference
NC41120-0015	21	Tech Bes AI-NC41120-0015

Fujitsu Components International Headquarter Offices

<p>Japan Fujitsu Component Limited Gotanda-Chuo Building 3-5, Higashigotanda 2-chome, Shinagawa-ku Tokyo 141, Japan Tel: (81-3) 5449-7010 Fax: (81-3) 5449-2626 Email: promothq@ft.ed.fujitsu.com Web: www.fcl.fujitsu.com</p>	<p>Europe Fujitsu Components Europe B.V. Diamantlaan 25 2132 WV Hoofddorp Netherlands Tel: (31-23) 5560910 Fax: (31-23) 5560950 Email: info@fceu.fujitsu.com Web: emea.fujitsu.com/components/</p>
<p>North and South America Fujitsu Components America, Inc. 250 E. Caribbean Drive Sunnyvale, CA 94089 U.S.A. Tel: (1-408) 745-4900 Fax: (1-408) 745-4970 Email: components@us.fujitsu.com Web: http://www.fujitsu.com/us/services/edevice/components/</p>	<p>Asia Pacific Fujitsu Components Asia Ltd. 102E Pasir Panjang Road #01-01 Citilink Warehouse Complex Singapore 118529 Tel: (65) 6375-8560 Fax: (65) 6273-3021 Email: fcsl@fcal.fujitsu.com Web: http://www.fujitsu.com/sg/services/micro/components/</p>

©2006 Fujitsu Components America, Inc. All rights reserved. All trademarks or registered trademarks are the property of their respective owners.

Fujitsu Components America or its affiliates do not warrant that the content of datasheet is error free. In a continuing effort to improve our products Fujitsu Components America, Inc. or its affiliates reserve the right to change specifications/datasheets without prior notice.
Rev. May 23/2006