

40V 4A DOUBLE POWER HALF BRIDGE

1 FEATURES

- MULTIPOWER BCD TECHNOLOGY
- MINIMUM INPUT OUTPUT PULSE WIDTH DISTORTION
- 200mΩ R_{dsON} COMPLEMENTARY DMOS OUTPUT STAGE
- CMOS COMPATIBLE LOGIC INPUTS
- THERMAL PROTECTION
- THERMAL WARNING OUTPUT
- UNDER VOLTAGE PROTECTION

2 DESCRIPTION

STA502 is a monolithic dual half bridge stage in Multipower BCD Technology.

Figure 1. Package



Table 1. Order Codes

Part Number	Package
STA502	PowerSO36 (Slugg clip)

The device is particularly designed to make the output stage of a mono All-Digital High Efficiency (DDX™) amplifier capable to deliver 60W @ THD = 10% at V_{CC} 32V output power on 8Ω load. The input pins have threshold proportional to V_L pin voltage.

Figure 2. Block Diagram

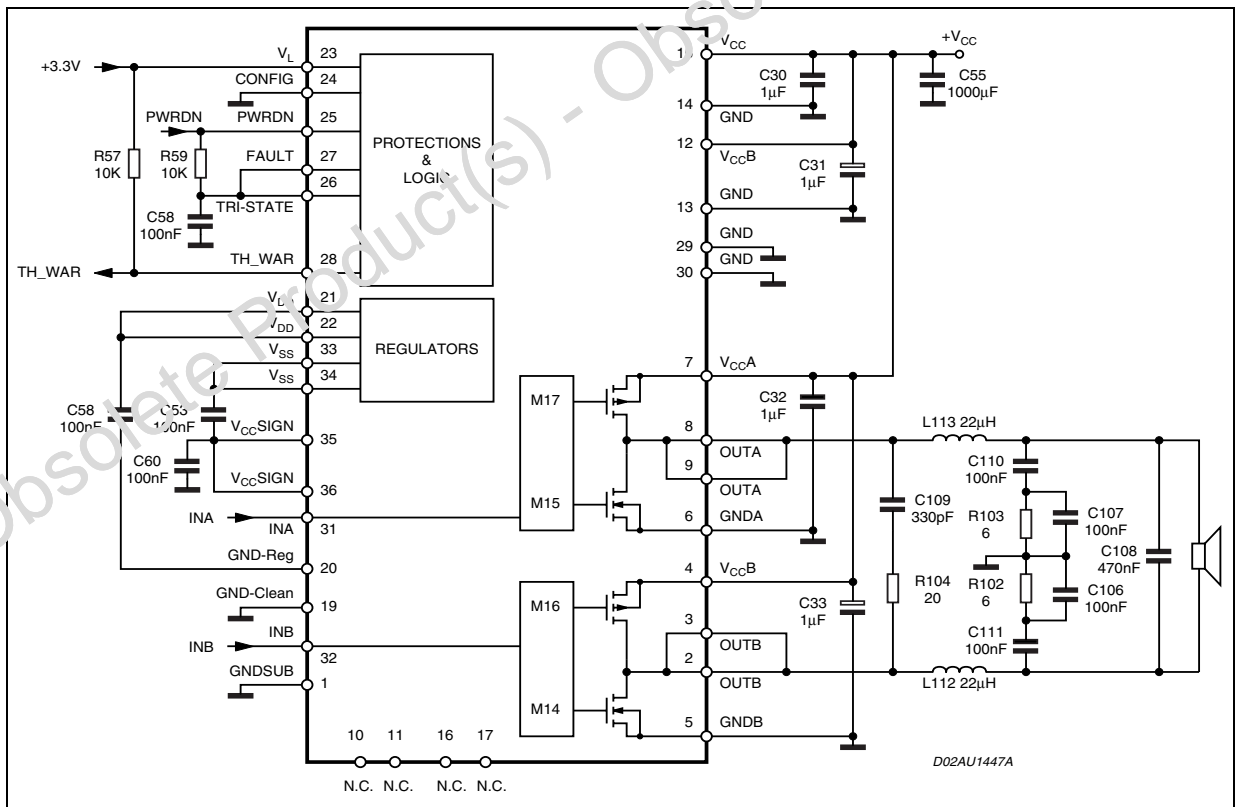


Table 2. Pin Description

N°	Pin	Description
1	GND-SUB	Substrate ground
2 ; 3	OUTB	Output half bridge
4	V _{CC}	Positive Supply
5	GND	Negative Supply
6	GND	Negative Supply
7	V _{CC}	Positive Supply
8 ; 9	OUTA	Output half bridge
10 ; 11	N.C.	
12	V _{CC}	Positive Supply
13	GND	Negative Supply
14	GND	Negative Supply
15	V _{CC}	Positive Supply
16 ; 17	N.C.	
18	NC	Not connected
19	GND-Clean	Logical ground
20	GND-Reg	Ground for regulator V _{dd}
21 ; 22	V _{dd}	5V Regulator referred to ground
23	V _L	High logical state setting voltage
24	GND	
25	PWRDN	Stand-by pin
26	TRI-STATE	Hi-Z pin
27	FAULT	Fault pin advisor
28	TH-WAR	Thermal warning advisor
29	GND	
30	GND	
31	INA	Input of half bridge
32	INB	Input of half bridge
33 ; 34	V _{SS}	5V Regulator referred to + V _{CC}
35 ; 36	V _{CC} Sign	Signal Positive supply

Table 3. FUNCTIONAL PIN STATUS

PIN NAME	Logical value	IC -STATUS
FAULT	0	Fault detected (Short circuit, or Thermal ..)
FAULT *	1	Normal Operation
TRI-STATE	0	All powers in Hi-Z state
TRI-STATE	1	Normal operation
PWRDN	0	Low absorption
PWRDN	1	Normal operation
THWAR	0	Temperature of the IC =130°C
THWAR*	1	Normal operation

* : The pin is open collector. To have the high logic value, it needs to be pulled up by a resistor.

Figure 3. PIN CONNECTION

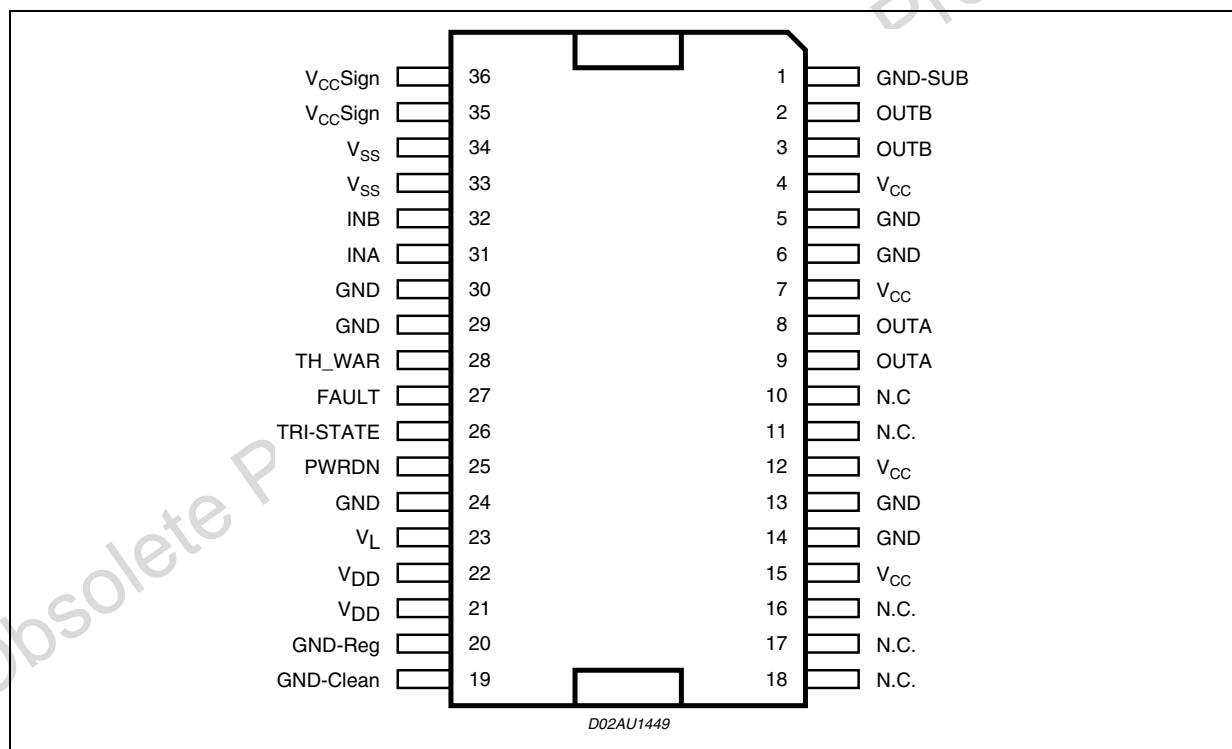


Table 4. ABSOLUTE MAXIMUM RATINGS

Symbol	Parameter	Value	Unit
V _{CC}	DC Supply Voltage (Pin 4,7,12,15)	40	V
V _{max}	Maximum Voltage on pins 23 to 32	5.5	V
P _{tot}	Power Dissipation (T _{case} = 70°C)	50	W
T _{op}	Operating Temperature Range	0 to 70	°C
T _{stg} , T _j	Storage and Junction Temperature	-40 to 150	°C

Table 5. THERMAL DATA

Symbol	Parameter	Min.	Typ.	Max.	Unit
T _{j-case}	Thermal Resistance Junction to Case (thermal pad)			2.5	°C/W
T _{jSD}	Thermal shut-down junction temperature		150		°C
T _{warn}	Thermal warning temperature		130		°C
t _{hSD}	Thermal shut-down hysteresis		25		°C

Table 6. Electrical Characteristics (V_L = 3.3V; V_{CC} = 30V; T_{amb} = 25°C unless otherwise specified)

Symbol	Parameter	Test conditions	Min.	Typ.	Max.	Unit
R _{dsON}	Power Pchannel/Nchannel MOSFET RdsON	I _d =1A;		200	270	mΩ
I _{dss}	Power Pchannel/Nchannel leakage I _{dss}	V _{CC} =35V;			50	μA
g _N	Power Pchannel RdsON Matching	I _d =1A;	95			%
g _P	Power Nchannel RdsON Matching	I _d =1A;	95			%
Dt _s	Low current Dead Time (static)	see test circuit no.1; see fig. 14		10	20	ns
Dt _d	High current Dead Time (dynamic)	L=22μH; C = 470nF; R _l = 8 Ω I _d =3.5A; see fig. 3			50	ns
t _{d ON}	Turn-on delay time	Resistive load			100	ns
t _{d OFF}	Turn-off delay time	Resistive load			100	ns
t _r	Rise time	Resistive load; as fig.14			25	ns
t _f	Fall time	Resistive load; as fig. 4			25	ns
V _{CC}	Supply voltage operating voltage		10		36	V
V _{IN-High}	High level input voltage				V _L /2 +300mV	V
V _{IN-Low}	Low level input voltage		V _L /2 - 300mV			V
I _{IN-H}	High level Input current	Pin voltage = V _L		1		μA

Table 6. Electrical Characteristics (continued)

Symbol	Parameter	Test conditions	Min.	Typ.	Max.	Unit
I_{IN-L}	Low level input current	Pin voltage = 0.3V		1		μA
$I_{PWRDN-H}$	High level PWRDN pin input current	$V_L = 3.3V$		35		μA
V_{Low}	Low logical state voltage V_{Low} (pin PWRDN, TRISTATE) (note 1)	$V_L = 3.3V$	0.8			V
V_{High}	High logical state voltage V_{High} (pin PWRDN, TRISTATE) (note 1)	$V_L = 3.3V$			1.7	V
$I_{VCC-PWRDN}$	Supply current from V_{cc} in Power Down	PWRDN = 0			3	mA
I_{FAULT}	Output Current pins FAULT -TH-WARN when FAULT CONDITIONS	$V_{pin} = 3.3V$		1		mA
$I_{VCC-hiz}$	Supply current from V_{cc} in Tri-state	Tri-state=0;		22		mA
I_{VCC}	Supply current from V_{cc} in operation (both channel switching)	Input pulse width = 50% Duty; Switching Frequency = 384KHz; No LC filters;		50		mA
I_{out-sh}	Isc (short circuit current limit)		4	6	8	A
V_{UV}	Undervoltage protection threshold			7		V
t_{pw-min}	Output minimum pulse width	No Load	70		150	ns

Table 7.

V_L	V_{Low} min	V_{High} max	Unit
2.7	0.7	1.5	V
3.3	0.8	1.7	V
5	0.85	1.85	V

Notes: 1. The following table explains the V_{Low} , V_{High} variation with V_L

Table 8. Logic Truth (see fig. 5)

TRI-STATE	INA	INB	Q1	Q2	Q3	Q4	OUTPUT MODE
0	x	x	OFF	OFF	OFF	OFF	Hi-Z
1	0	0	OFF	OFF	ON	ON	DUMP
1	0	1	OFF	ON	ON	OFF	NEGATIVE
1	1	0	ON	OFF	OFF	ON	POSITIVE
1	1	1	ON	ON	OFF	OFF	Not used

Figure 4. Test Circuit.

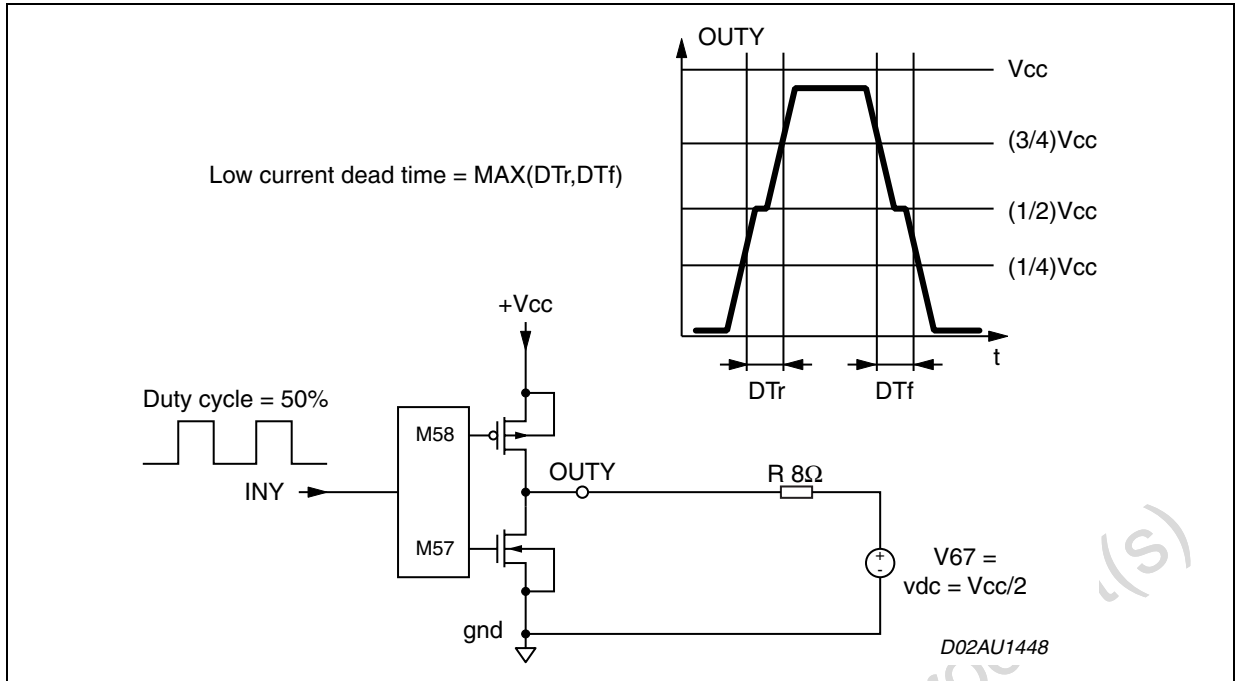


Figure 5.

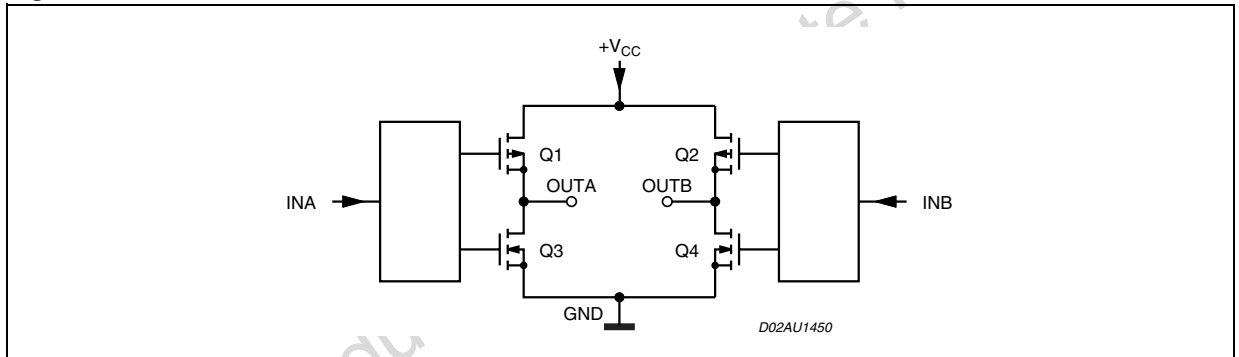


Figure 6.

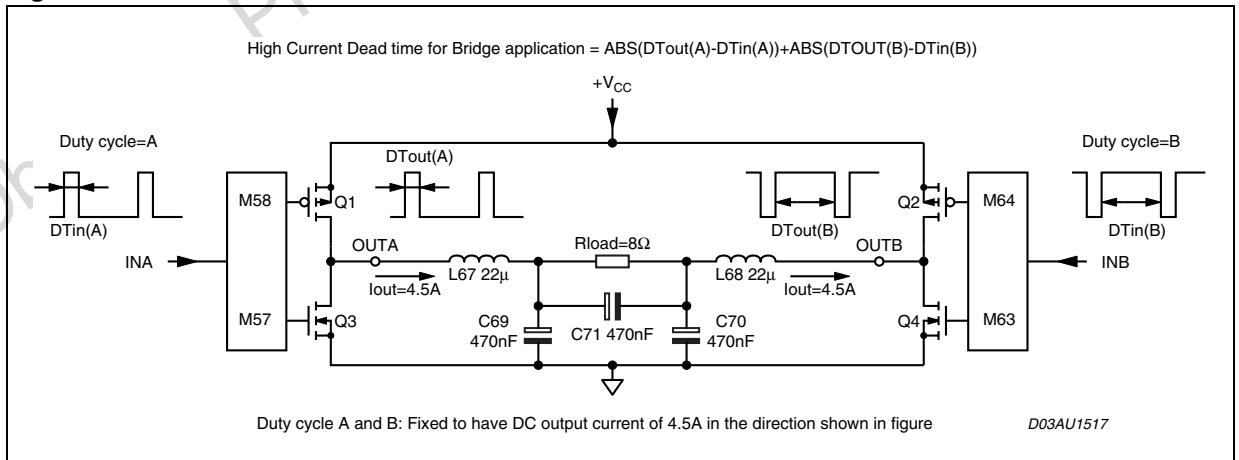
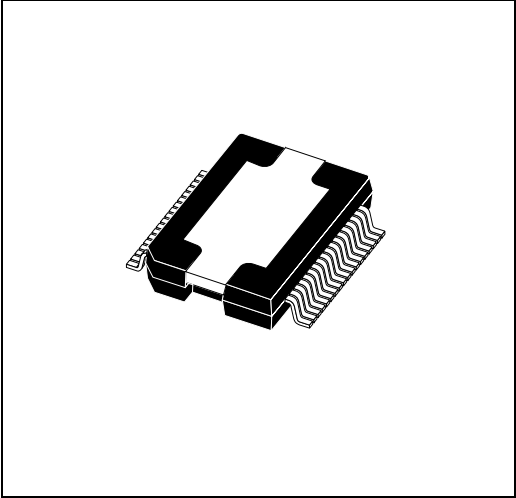


Figure 7. Power SO36 (SLUG UP) Mechanical Data & Package Dimensions

DIM.	mm			inch		
	MIN.	TYP.	MAX.	MIN.	TYP.	MAX.
A	3.25		3.43	0.128		0.135
A2	3.1		3.2	0.122		0.126
A4	0.8		1	0.031		0.039
A5		0.2			0.008	
a1	0.030		-0.040	0.0011		-0.0015
b	0.22		0.38	0.008		0.015
c	0.23		0.32	0.009		0.012
D	15.8		16	0.622		0.630
D1	9.4		9.8	0.37		0.38
D2		1			0.039	
E	13.9		14.5	0.547		0.57
E1	10.9		11.1	0.429		0.437
E2			2.9			0.114
E3	5.8		6.2	0.228		0.244
E4	2.9		3.2	0.114		1.259
e		0.65			0.026	
e3		11.05			0.435	
G	0		0.075	0		0.003
H	15.5		15.9	0.61		0.625
h			1.1			0.043
L	0.8		1.1	0.031		0.043
N			10°			10°
s			8°			8°

OUTLINE AND MECHANICAL DATA



PowerSO36 (SLUG UP)

- (1) "D and E1" do not include mold flash or protusions.
Mold flash or protusions shall not exceed 0.15mm (0.006")
- (2) No intrusion allowed inwards the leads.

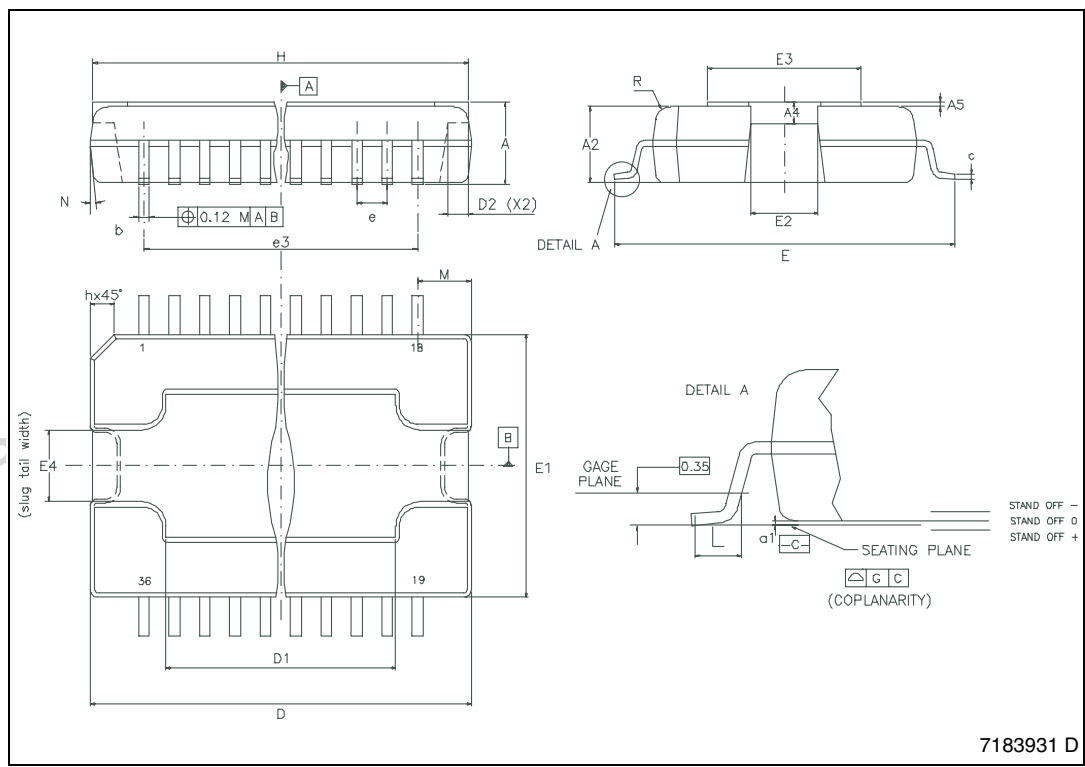


Table 9. Revision History

Date	Revision	Description of Changes
May 2004	1	First Issue
November 2004	2	Modificated the fig2; changed Ibias pin to VL pin.

Obsolete Product(s) - Obsolete Product(s)

Information furnished is believed to be accurate and reliable. However, STMicroelectronics assumes no responsibility for the consequences of use of such information nor for any infringement of patents or other rights of third parties which may result from its use. No license is granted by implication or otherwise under any patent or patent rights of STMicroelectronics. Specifications mentioned in this publication are subject to change without notice. This publication supersedes and replaces all information previously supplied. STMicroelectronics products are not authorized for use as critical components in life support devices or systems without express written approval of STMicroelectronics.

The ST logo is a registered trademark of STMicroelectronics.
All other names are the property of their respective owners

DDX is a trademark of Apogee technology inc.

© 2004 STMicroelectronics - All rights reserved

STMicroelectronics group of companies

Australia - Belgium - Brazil - Canada - China - Czech Republic - Finland - France - Germany - Hong Kong - India - Israel - Italy - Japan -
Malaysia - Malta - Morocco - Singapore - Spain - Sweden - Switzerland - United Kingdom - United States of America

www.st.com