



# TDA8172

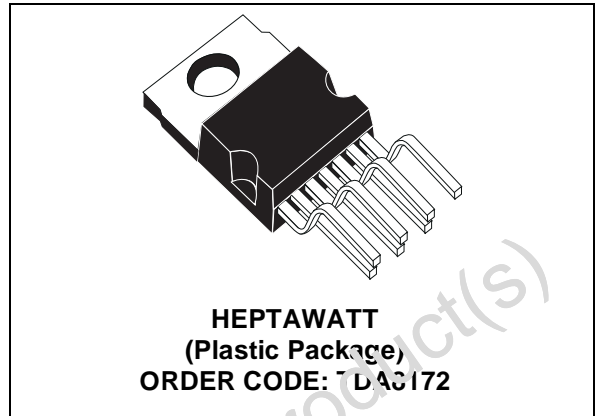
## TV VERTICAL DEFLECTION OUTPUT CIRCUIT

### FEATURES

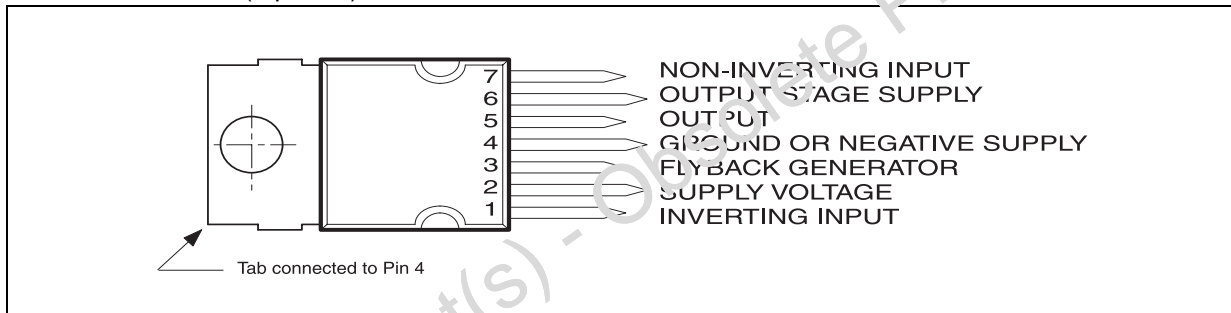
- Power Amplifier
- Flyback Generator
- Thermal Protection

### DESCRIPTION

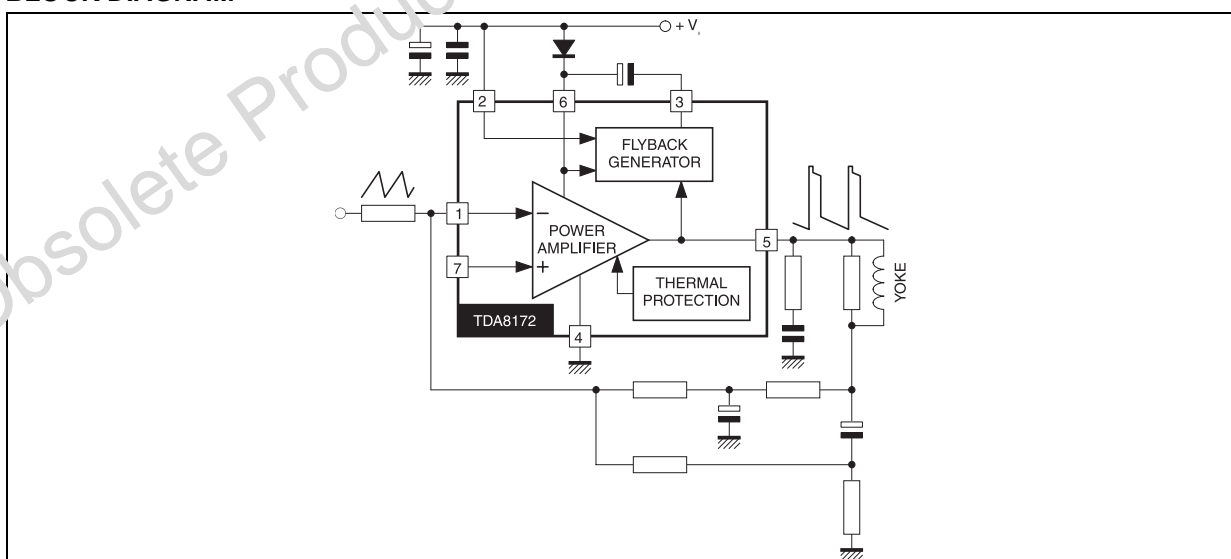
The TDA8172 is a monolithic integrated circuit in Heptawatt™ package. It is a high efficiency power booster for direct driving of vertical windings of TV yokes. It is intended for use in color and black & white television as well as in monitors and displays.



### PIN CONNECTION (top view)



### BLOCK DIAGRAM



## 1 ABSOLUTE MAXIMUM RATINGS

Symbol	Parameter	Value	Unit
$V_S$	Supply Voltage (pin 2)	35	V
$V_5, V_6$	Flyback Peak Voltage	60	V
$V_3$	Voltage at Pin 3 (see Note 1)	$V_S + 3$	V
$V_1, V_7$	Amplifier Input Voltage	$V_S - 0.5$	V
$I_0$	Output Peak Current (non repetitive, $t = 2\text{ms}$ )	2.5	A
$I_0$	Output Peak Current at $f = 50$ to $200$ Hz, $t \leq 10\mu\text{s}$	$\pm 5$	A
$I_0$	Output Peak Current at $f = 50$ to $200$ Hz, $t > 10\mu\text{s}$	2	A
$I_3$	Pin 3 DC Current at $V_5 < V_2$	100	mA
$I_3$	Pin 3 Flyback Current at $f = 50$ to $200$ Hz, $t_{fly} \leq 1.5\text{ms}$	$\pm 1.5$	A
$I_3$	Pin 3 Sink Current at $f = 50$ to $200$ Hz, $t \leq 10\mu\text{s}$	5	A
$P_{tot}$	Total Power Dissipation at $T_{case} = 90$ °C	20	W
$T_{stg}, T_j$	Storage and Junction Temperature	-40, +150	°C

**Note 1:** This occurs during the first part of flyback pulse

## 2 THERMAL DATA

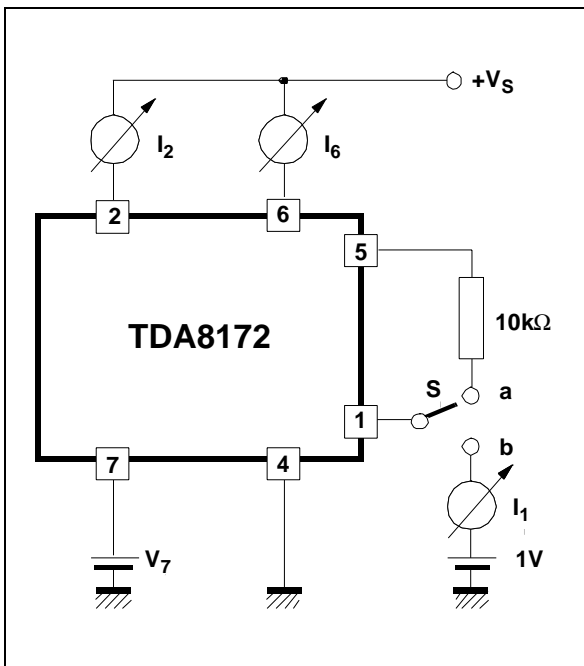
Symbol	Parameter	Value	Unit
$R_{th(j-c)}$	Thermal Resistance Junction-case	3	°C/W

## 3 ELECTRICAL CHARACTERISTICS

(refer to the test circuits,  $V_S = 35\text{V}$ ,  $T_{amb} = 25^\circ\text{C}$  unless otherwise specified)

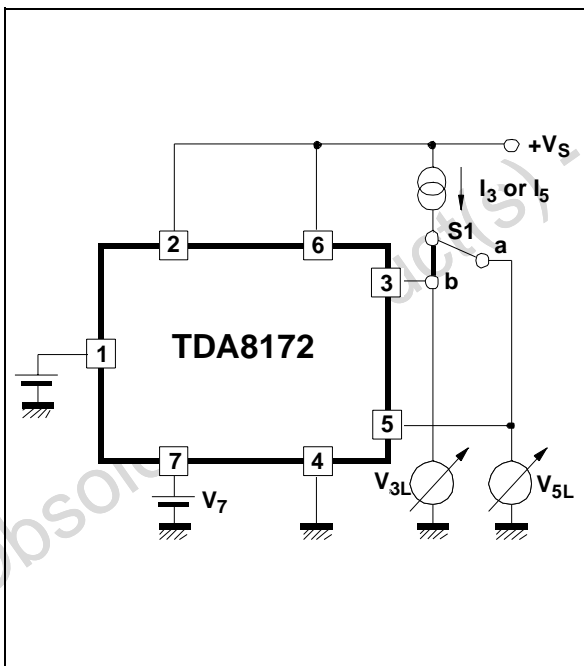
Symbol	Parameter	Test Conditions	Min.	Typ.	Max.	Unit	Fig.
$I_2$	Pin 2 Quiescent Current	$I_3 = 0, I_5 = 0$		8	16	mA	1
$I_6$	Pin 6 Quiescent Current	$I_3 = 0, I_5 = 0$		16	36	mA	1
$I_1$	Amplifier Input Bias Current	$V_1 = 1\text{ V}, V_7 = 2\text{ V}$		-0.1	-1	$\mu\text{A}$	1
		$V_1 = 2\text{ V}, V_7 = 1\text{ V}$		-0.1	-1	$\mu\text{A}$	1
$V_{3L}$	Pin 3 Saturation Voltage to GND	$I_3 = 20\text{ mA}$		1	1.5	V	3
$V_5$	Quiescent Output Voltage	$V_S = 35\text{V}, R_a = 39\text{ k}\Omega$		18		V	4
$V_{5L}$	Output Saturation Voltage to GND	$I_5 = 1.2\text{ A}$		1	1.4	V	3
		$I_5 = 0.7\text{ A}$		0.7	1	V	3
$V_{5H}$	Output Saturation Voltage to Supply	$-I_5 = 1.2\text{ A}$		1.6	2.2	V	2
		$-I_5 = 0.7\text{ A}$		1.3	1.8	V	2
$T_j$	Junction Temperature for Thermal Shutdown			140		°C	

Figure 1. Measurement of  $I_1, I_2, I_6$



S1: (a)  $I_2$  and  $I_6$ ; (b)  $I_1$

Figure 3. Measurement of  $V_{3L}, V_{5L}$



S: (a)  $V_{3L}$ ; (b)  $V_{5L}$

Figure 2. Measurement of  $V_{5H}$

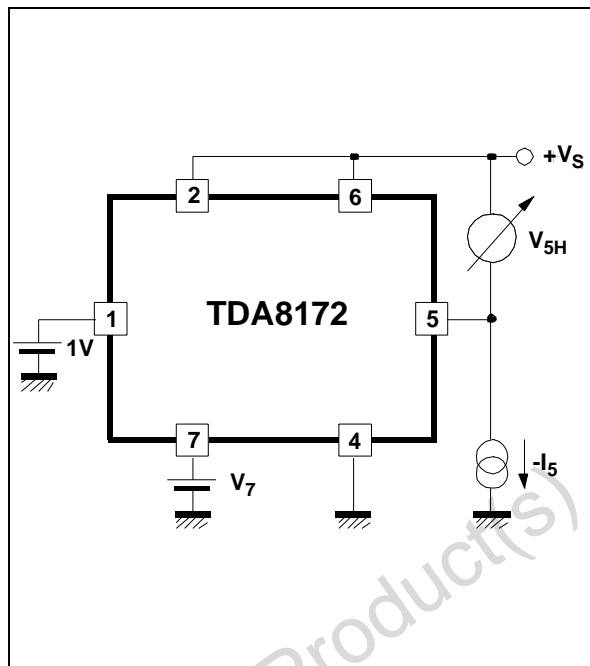


Figure 4. Measurement of  $V_5$

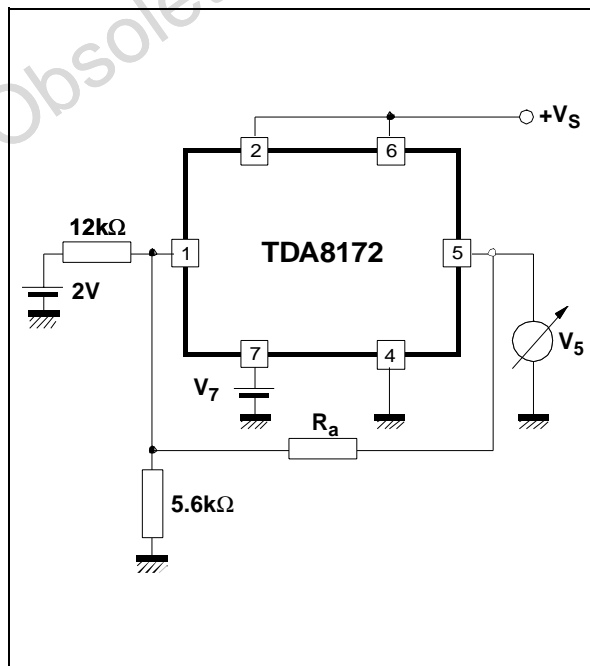
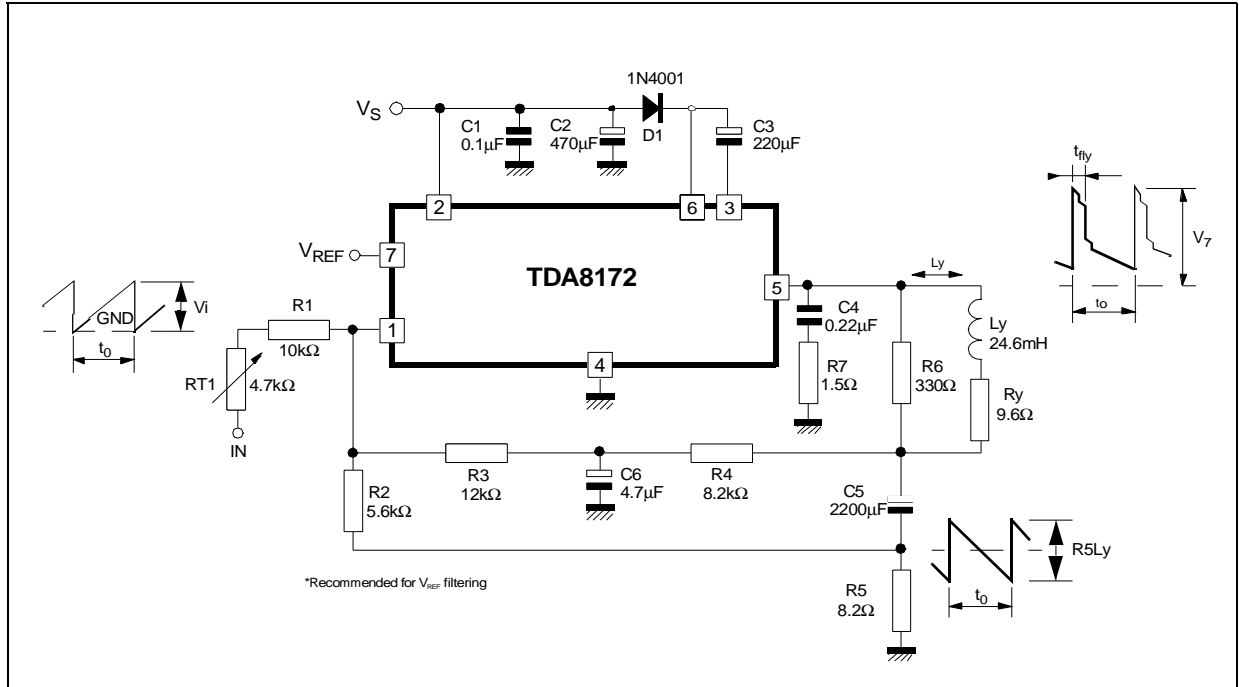


Figure 5. AC test circuit

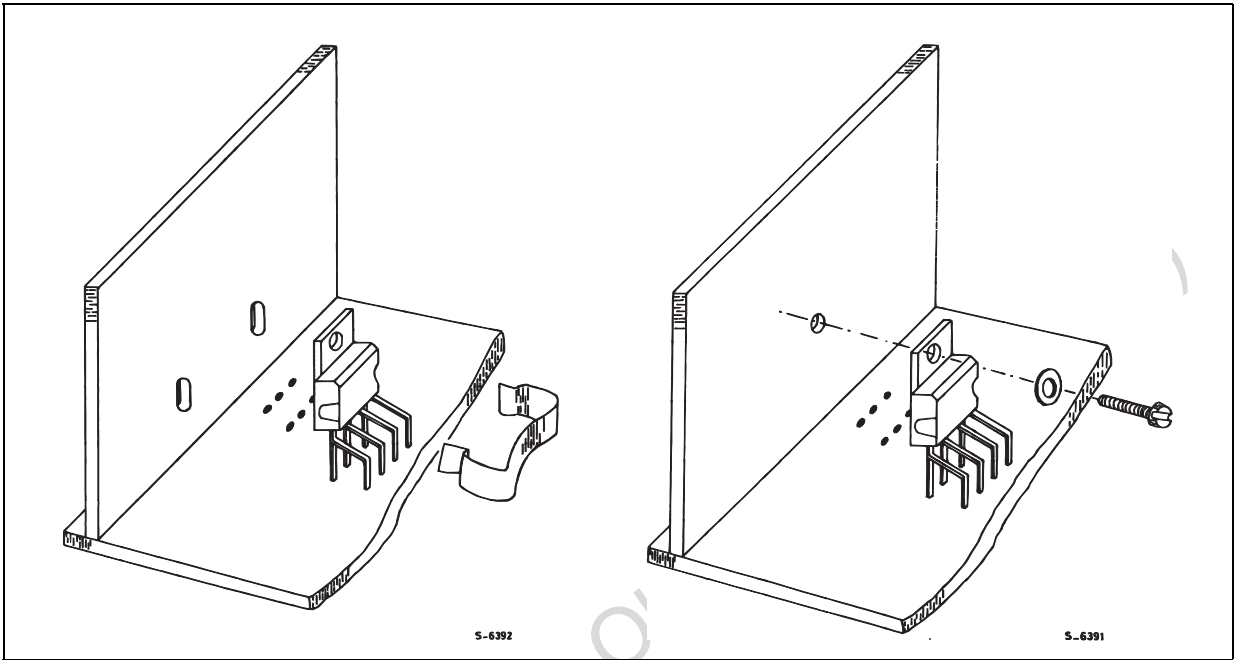


### 4 MOUNTING INSTRUCTIONS

The power dissipated in the circuit is removed by adding an external heatsink. With the HEPTAWATT™ package, the heatsink is simply attached with a screw or a compression spring (clip).

A layer of silicon grease inserted between heatsink and package optimizes thermal contact ; no electrical isolation is needed between the two surfaces since the tab is connected to Pin 4 which is ground.

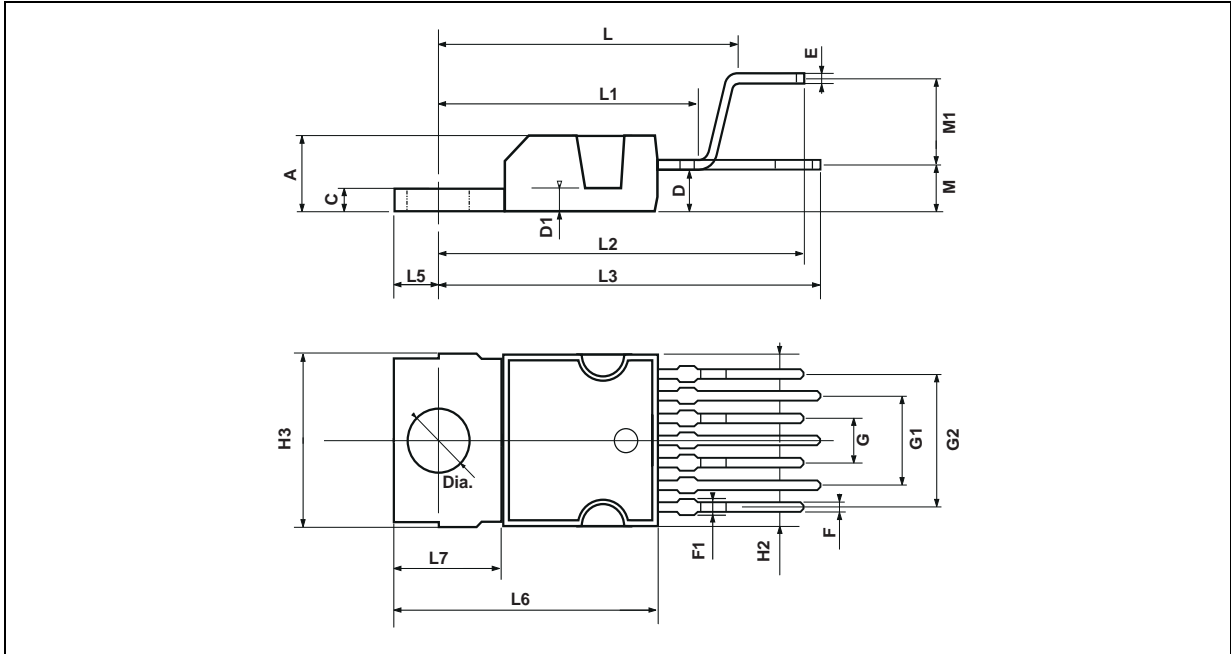
Figure 6. Mounting examples



Obsolete Product(s) - Q'

## 5 PACKAGE MECHANICAL DATA

9 PINS - plastic heptawatt



Dimensions	Millimeters			Inches		
	Min.	Typ.	Max.	Min.	Typ.	Max.
A			4.8			0.189
C			1.37			0.054
D	2.4		2.8	0.094		0.110
D1	1.2		1.35	0.047		0.053
E	0.35		0.55	0.014		0.022
F	0.6		0.8	0.024		0.031
F1			0.9			0.035
G	2.41	2.54	2.67	0.095	0.100	0.105
G1	4.91	5.08	5.21	0.193	0.200	0.205
G2	7.49	7.62	7.8	0.295	0.300	0.307
H2			10.4			0.409
H3	10.05		10.4	0.396		0.409
L		16.97			0.668	
L1		14.92			0.587	
L2		21.54			0.848	
L3		22.62			0.891	
L5	2.6		3	0.102		0.118
L6	15.1		15.8	0.594		0.622
L7	6		6.6	0.236		0.260
M		2.8			0.110	
M1		5.08			0.200	
Dia.	3.65		3.85	0.144		0.152

I

Information furnished is believed to be accurate and reliable. However, STMicroelectronics assumes no responsibility for the consequences of use of such information nor for any infringement of patents or other rights of third parties which may result from its use. No license is granted by implication or otherwise under any patent or patent rights of STMicroelectronics. Specifications mentioned in this publication are subject to change without notice. This publication supersedes and replaces all information previously supplied. STMicroelectronics products are not authorized for use as critical components in life support devices or systems without express written approval of STMicroelectronics.

The ST logo is a registered trademark of STMicroelectronics

© 2003 STMicroelectronics - All Rights Reserved

STMicroelectronics GROUP OF COMPANIES

Australia - Brazil - Canada - China - Finland - France - Germany - Hong Kong - India - Israel - Italy - Japan  
Malaysia - Malta - Morocco - Singapore - Spain - Sweden - Switzerland - United Kingdom - U.S.A.

[www.st.com](http://www.st.com)