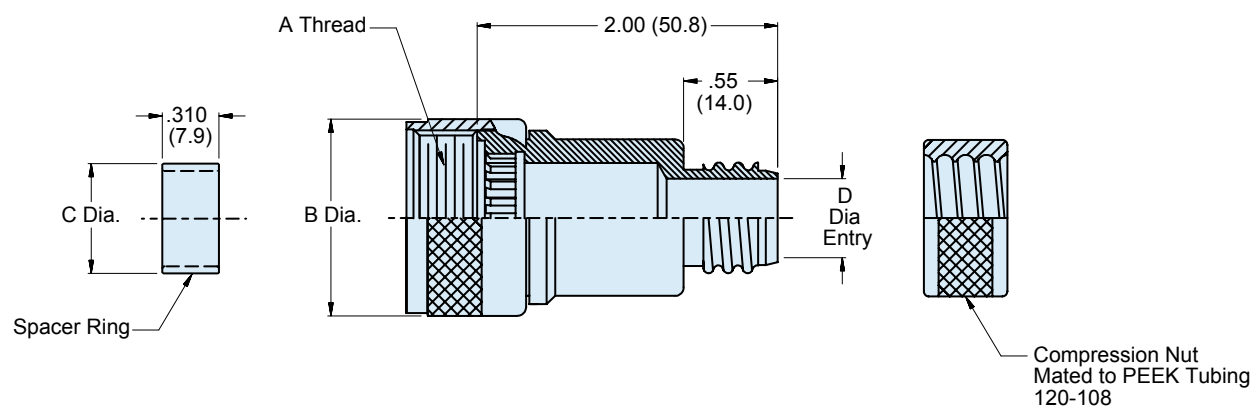
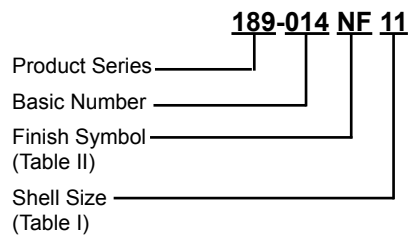


189-014
Backshell for PEEK Convoluted Tubing
to be used with MIL-PRF-28876 Fiber Optic Connectors



- APPLICATION NOTES**
1. Assembly identified with manufacturer's name and P/N, space permitting.
 2. Material/ Finish:
Adapter, Coupling Nut, Ferrule, and Spacer Ring—See Table II.
 3. Spacer Ring is packaged loose and must be installed with connector at time of assembly to retain Terminus Insert.
 4. For 45° and 90° Backshell Option see Glenair drawing 189-021.
 5. Metric dimensions (mm) are indicated in parentheses.

189-014
Backshell for PEEK Convuluted Tubing
to be used with MIL-PRF-28876 Fiber Optic Connectors



TABLE I: SHELL SIZE

Shell Size	Connector Designator	A Thread CLASS 2B	B Dia. Max	C Dia. Max	D Dia Entry	PEEK Conduit Size	
						Frac. Size	Dash No.
11	A	3/4 - 20 UNEF	.960 (10.4)	.410 (10.4)	.390 (9.9)	1/2	16
13	B	7/8 - 20 UNEF	1.085 (27.6)	.532 (13.5)	.390 (9.9)	1/2	16
15	C	1 - 20 UNEF	1.255 (31.9)	.710 (18.0)	.390 (9.9)	1/2	16
23	F	1 7/16 - 18 UNEF	1.695 (43.1)	1.116 (28.3)	.890 (22.6)	1	32

TABLE II: FINISH

SYM	MATERIAL	FINISH
NF	Aluminum	Cadmium/Olive Drab over Electroless Nickel (500 Hr. Salt Spray)
B	Aluminum	Cadmium Plate/Olive Drab
J	Aluminum	Gold Iridite over Cadmium Plate over Nickel
N	Aluminum	Cadmium Plate/Olive Drab over Nickel
M	Aluminum	Electroless Nickel
T	Aluminum	Cadmium Plate/Bright Dip over Nickel