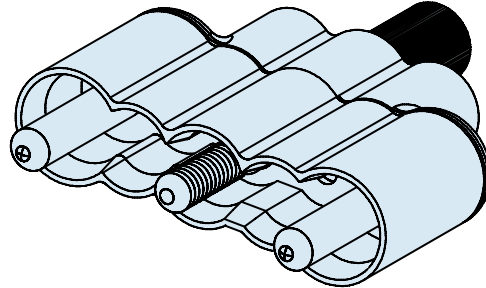
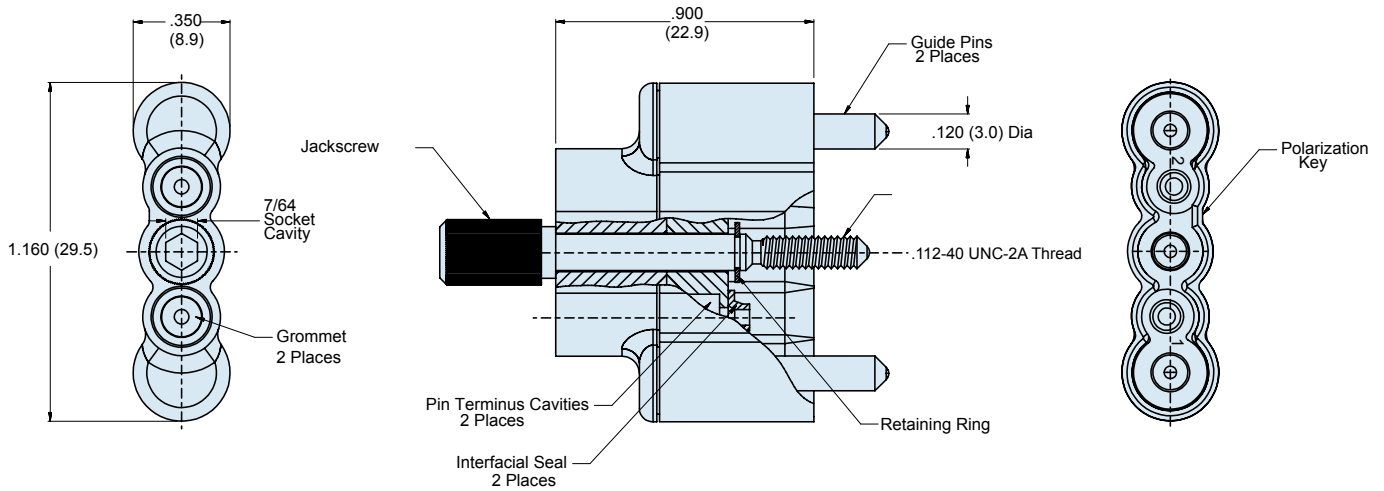


180-053
2 Channel Fiber Optic Plug Connector
for MIL-PRF-29504/4 Pin Terminus



180-053
 Product Series
 Basic Number



APPLICATION NOTES

1. Assembly packaged in plastic bag and tag identified with manufacturer's name and part number.
2. Material/Finish:
 Connector Housing: High Grade Engineering Thermoplastic
 Grommet, Interfacial Seal: Fluorosilicone
 Jackscrew, Guide Pin, Retaining Ring: Stainless Steel
3. Connector designed to accept Glenair Part Number 181-002-XXX or MIL-PRF-29504/4 Style Fiber Optic Termini. Termini not supplied.
4. Recommended Insertion/Removal Tool: P/N: M81969/14-03 or equivalent.
5. Metric dimensions (mm) are in parentheses.