

OC-48/24/12/3 SONET/SDH MULTIRATE TRANSCEIVER

FEATURES

- Fully Integrated SONET/SDH Transceiver to Support Clock/Data Recovery and Multiplexer/Demultiplexer Functions
- Supports OC-48, OC-24, OC-12, Gigabit Ethernet, and OC-3 Data Rate With Autorate Detection
- Supports Transmit Only, Receiver Only, Transceiver and Repeater Functions in a Single Chip Through Configuration Pins
- Supports SONET/SDH Frame Detection
- On-Chip PRBS Generation and Verification
- Supports 4-Bit LVDS (OIF99.102) Electrical Interface
- Parity Checking and Generation for the LVDS Interface
- Single 2.5-V Power Supply
- Interfaces to Back Plane, Copper Cables, or

Optical Modules

- Hot Plug Protection
- Low Jitter PECL-Compatible Differential Serial Interface With Programmable De-Emphasis for the Serial Output
- On-Chip Termination for LVDS and PECL-Compatible Interface
- Receiver Differential Input Thresholds 150 mV Minimum
- Supports SONET Loop Timing
- Low Power <900 mW at OC-48 Data Rate
- ESD Protection >2 kV
- 622-MHz Reference Clock
- Maintains Clock Output in Absence of Data
- Local and Remote Loopback
- 100-Pin PZP Package With PowerPAD™ Design
- Supports FEC Data Rate of 2.7 Gbps

DESCRIPTION

The SLK2701 device is a single chip, multirate transceiver that derives high-speed timing signals for SONET/SDH-based equipment. The device performs clock and data recovery, serial-to-parallel/parallel-to-serial conversion, and a frame detection function conforming to the SONET/SDH standards.

The device can be configured to operate under OC-48, OC-24, OC-12, or OC-3 data rate through the rate selection pins or the autorate detection function. An external reference clock operating at 622.08 MHz is required for the recovery loop, and it also provides a stable clock source in the absence of serial data transitions.

The SLK2701 device accepts 4-bit LVDS parallel data/clock and generates a NRZ SONET/SDH-compliant signal at the OC-3, OC-12, OC-24, or OC-48 data rate. It also recovers the data and clock from the serial SONET stream and demultiplexes it into 4-bit LVDS parallel data for full duplex operation. TXDATA0 and RXDATA0 are the first bits that are transmitted and received in time, respectively. The serial interface is a low jitter, PECL-compatible differential interface.

The SLK2701 device supports an FEC data rate up to 2.7 Gbps when configured to operate at the OC-48 data rate and provided with an external reference clock that is properly scaled.

AVAILABLE OPTIONS

| T _A | PACKAGE ⁽¹⁾ |
|----------------|------------------------|
| | PowerPAD QUAD (PZP) |
| –40°C to 85°C | SLK2701PZP |

- (1) For the most current package and ordering information, see the Package Option Addendum at the end of this document, or see the TI Web site at www.ti.com.



Please be aware that an important notice concerning availability, standard warranty, and use in critical applications of Texas Instruments semiconductor products and disclaimers thereto appears at the end of this data sheet.

PowerPAD is a trademark of Texas Instruments.



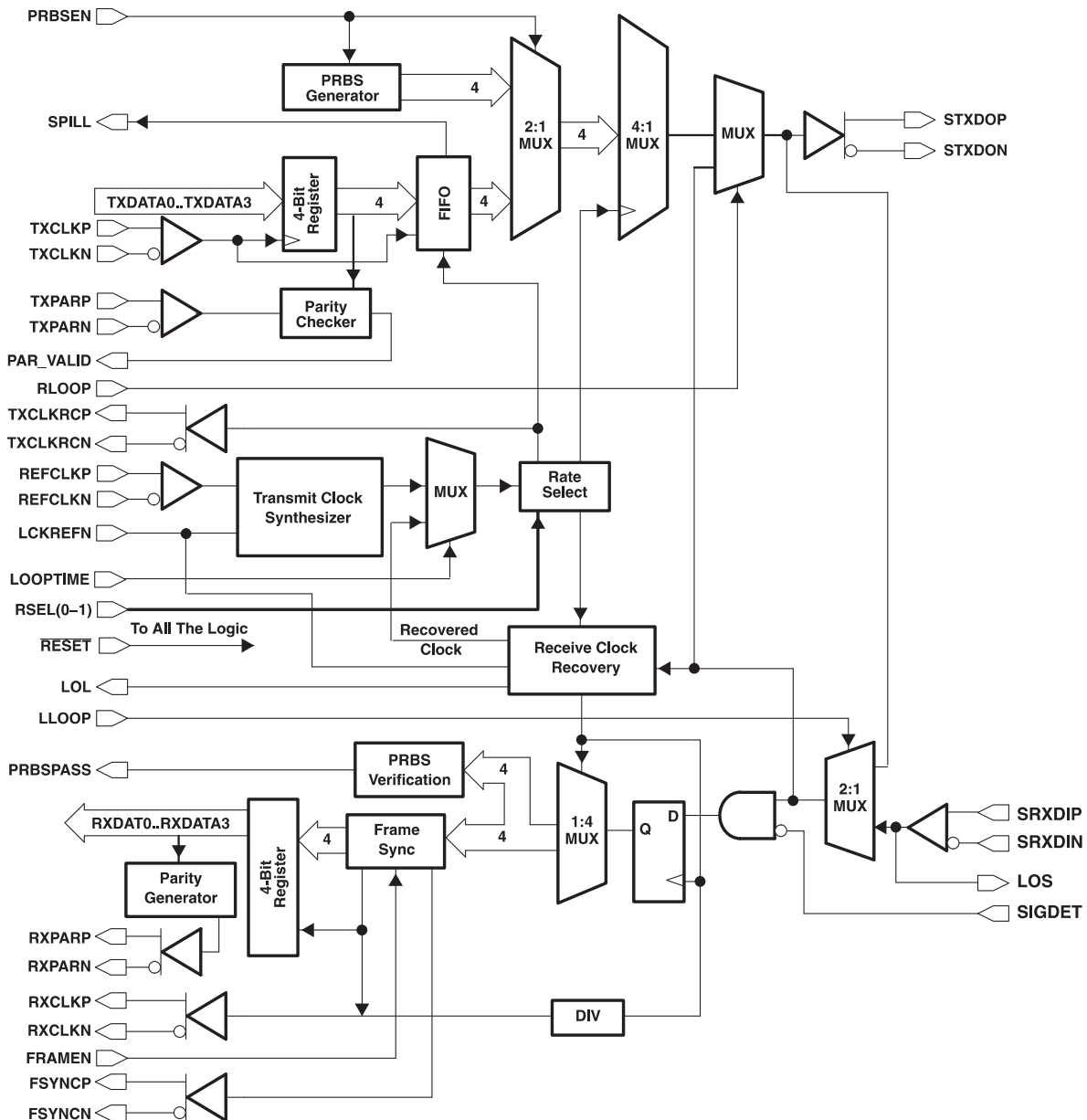
These devices have limited built-in ESD protection. The leads should be shorted together or the device placed in conductive foam during storage or handling to prevent electrostatic damage to the MOS gates.

DESCRIPTION (CONTINUED)

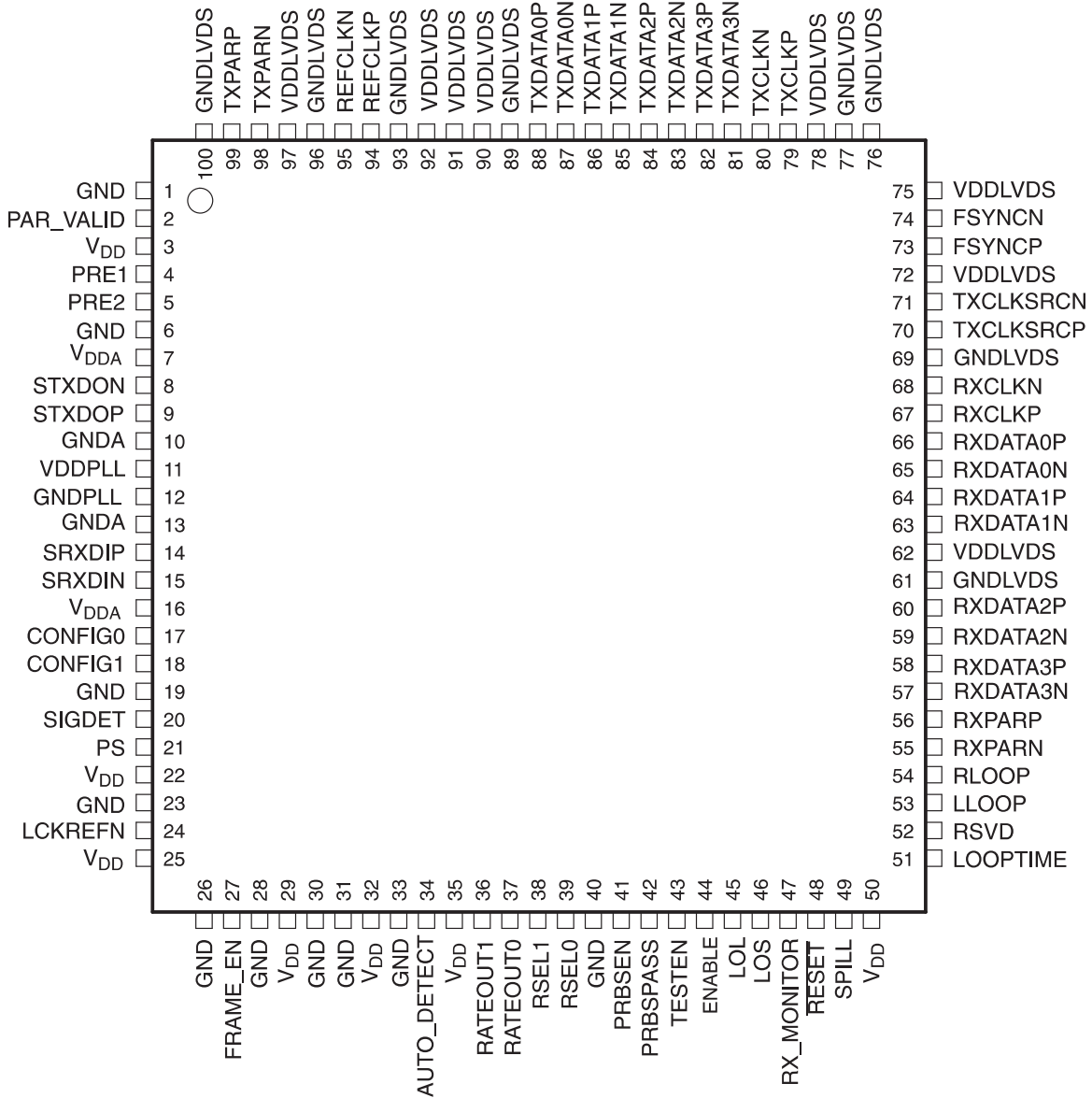
The SLK2701 device provides a comprehensive suite of built-in tests for self-test purposes including local and remote loopback and pseudorandom bit stream (PRBS) (2^7-1) generation and verification.

The device comes in a 100-pin VQFP package that requires a single 2.5-V supply with 3.3-V tolerant inputs on the control pins. The SLK2701 device is very power efficient, dissipating less than 900 mW at 2.488 Gbps, the OC-48 data rate. It is characterised for operation from -40°C to 85°C .

BLOCK DIAGRAM



**PZP PACKAGE
(TOP VIEW)**



TERMINAL FUNCTIONS

| TERMINAL | | TYPE | DESCRIPTION |
|--------------------------------|----------------|----------------------------|--|
| NAME | NO. | | |
| CLOCK PINS | | | |
| REFCLKP | 94 | LVDS/PECL compatible input | Differential reference input clock. There is an on-chip 100-Ω termination resistor differentially placed between REFCLKP and REFCLKN. The dc bias is also provided on-chip for the ac-coupled case. |
| REFCLKN | 95 | | |
| RXCLKP | 67 | LVDS output | Receive data clock. The data on RXDATA(0:3) is on the falling edges of RXCLKP. The interface of RXDATA(0:3) and RXCLKP is source synchronous (refer to Figure 8). |
| RXCLKN | 68 | | |
| TXCLKP | 79 | LVDS input | Transmit data clock. The data on TXDATA(0:3) is latched on the rising edge of TXCLKP. |
| TXCLKN | 80 | | |
| TXCLKSRCP | 70 | LVDS output | Transmit clock source. A clock source generated from the SLK2701 device to the downstream device (i.e., framer) that could be used by the downstream device to transmit data back to the SLK2701 device. This clock is frequency-locked to the local reference clock. |
| TXCLKSRCN | 71 | | |
| SERIAL SIDE DATA PINS | | | |
| SRXDIP | 14 | PECL compatible input | Receive differential pairs; high-speed serial inputs |
| SRXDIN | 15 | | |
| STXDOP | 9 | PECL compatible output | Transmit differential pairs; high-speed serial outputs |
| STXDON | 8 | | |
| PARALLEL SIDE DATA PINS | | | |
| FSYNCP | 73 | LVDS output | Frame sync pulse. This signal indicates the frame boundaries of the incoming data stream. If the frame-detect circuit is enabled, FSYNC pulses for four RXCLKP and RXCLKN clock cycles, when it detects the framing patterns. |
| FSYNCN | 74 | | |
| RXDATA[0:3] P/N | 66-63 60-57 | LVDS output | Receive data pins. Parallel data on this bus is valid on the falling edge of RXCLKP (refer to Figure 8). RXDATA0 is the first bit received in time. |
| RXPARP | 56 | LVDS output | Receive data parity output |
| RXPARN | 55 | | |
| TXDATA[0:3] P/N | 88-81 | LVDS input | Transmit data pins. Parallel data on this bus is clocked on the rising edge of TXCLKP. TXDATA0 is the first bit transmitted in time. |
| TXPARP | 99 | LVDS input | Transmit data parity input |
| TXPARN | 98 | | |
| CONTROL/STATUS PINS | | | |
| AUTO_DETECT | 34 | TTL input (with pulldown) | Data rate autodetect enable. Enable the autodetection function for different data rates. When AUTO_DETECT is high, the autodetection circuit generates RATEOUT0 and RATEOUT1 to indicate the data rates for the downstream device. |
| CONFIG0 | 17 | TTL input (with pulldown) | Configuration pins. Put the device under one of the four operation modes: TX only, RX only, transceiver, or repeater. (See Table 3) |
| CONFIG1 | 18 | | |
| ENABLE | 44 | TTL input (with pullup) | Standby enable. When this pin is held low, the device is disabled for IDDQ testing. When high, the device operates normally. |
| FRAME_EN | 27 | TTL input (with pullup) | Frame sync enable. When this pin is asserted high, the frame synchronization circuit for byte alignment is turned on. |
| LCKREFN | 24 | TTL input (with pullup) | Lock to reference. When this pin is low, RXCLKP/N output is forced to lock to REFCLK. When high, RXCLKP/N is the divided down clock extracted from the receive serial data. |
| LLOOP | 53 | TTL input (with pulldown) | Local loopback enable. When this pin is high, the serial output is internally looped back to its serial input. |
| LOL | 45 | TTL output | Loss of lock. When the clock recovery loop has locked to the input data stream and the phase differs by less than 100 ppm from REFCLK, then LOL is high. When the phase of the input data stream differs by more than 100 ppm from REFCLK, then LOL is low. If the difference is too large (> 500 ppm), the LOL output is not valid. |
| LOOPTIME | 51 | TTL input (with pulldown) | Loop timing mode. When this pin is high, the PLL for the clock synthesizer is bypassed. The recovered clock timing is used to send the transmit data. |
| LOS | 46 | TTL output | Loss of signal. When no transitions appear on the input data stream for more than 2.3 μs, a loss of signal occurs and LOS goes high. The device also transmits all zeroes downstream using REFCLK as its clock source. When a valid SONET signal is received, the LOS signal goes low. |

TERMINAL FUNCTIONS (continued)

| TERMINAL | | TYPE | DESCRIPTION |
|---|--|---------------------------|---|
| NAME | NO. | | |
| PAR_VALID | 2 | TTL output | Parity checker output. The internal parity checker on the parallel side of the transmitter checks for even parity. If there is a parity error, the pin is pulsed low for two clock cycles. |
| PRBSEN | 41 | TTL input (with pulldown) | PRBS testing enable. When this pin is asserted high, the device is put into the PRBS testing mode. |
| PRBSPASS | 42 | TTL output | PRBS test result. This pin reports the status of the PRBS test results (high = pass). When PRBSEN is disabled, the PRBSPASS pin is set low. When PRBSEN is enabled and a valid PRBS is received, then the PRBSPASS pin is set high. |
| PRE1 PRE2 | 4 5 | TTL input (with pulldown) | Programmable de-emphasis control. Combinations of these two bits can be used to optimize serial data transmission. |
| PS | 21 | TTL input (with pulldown) | Polarity select. This pin, used with the SIGDET pin, sets the polarity of SIGSET. When high, SIGDET is an active low signal. When low, SIGDET is an active high signal. |
| RATEOUT0 RATEOUT1 | 37 36 | TTL output | Autorate detection outputs. When AUTO_DETECT is high, the autodetection circuit generates these two bits to indicate the data rates for the downstream device. |
| RESET | 48 | TTL input (with pulldown) | TXFIFO and LOL reset pin. Low is reset and high is normal operation. |
| RLOOP | 54 | TTL input (with pulldown) | Remote loopback enable. When this pin is high, the serial input is internally looped back to its serial output with the timing extracted from the serial data. |
| RSEL0 RSEL1 | 39 38 | TTL input (with pulldown) | Data rate configuration pins. Put the device under one of the four data rate operations: OC-48, OC-24, OC-12, or OC-3. |
| RX_MONITOR | 47 | TTL input (with pulldown) | RX parallel data monitor in repeater mode. This pin is only used when the device is put under repeater mode. When high, the RX demultiplexer circuit is enabled and the parallel data is presented. When low, the demultiplexer is shut down to save power. |
| SIGDET | 20 | TTL input (with pulldown) | Signal detect. This pin is generally connected to the output of an optical receiver. This signal may be active high or active low depending on the optical receiver. The SIGDET input is XORed with the PS pin to select the active state. When SIGDET is in the inactive state, data is processed normally. When activated, indicating a loss of signal event, the transmitter transmits all zeroes and force the LOS signal to go high. |
| SPILL | 49 | TTL output | TX FIFO collision output |
| TESTEN | 43 | TTL input (with pulldown) | Production test mode enable. This pin must be left unconnected or tied low. |
| VOLTAGE SUPPLY AND RESERVED PINS | | | |
| GND | 1, 6, 19, 23, 26, 28, 30, 31, 33, 40 | Ground | Digital logic ground |
| GND_A | 10, 13 | Ground | Analog ground |
| GND_LVDS | 61, 69, 76, 77, 89, 93, 96, 100 | Ground | LVDS ground |
| GND_PLL | 12 | Supply | PLL ground |
| RSVD | 52 | Reserved | This pin needs to be tied to ground or left floating for normal operation. |
| V _{DD} | 3, 22, 25, 29, 32, 35, 50 | Supply | Digital logic supply voltage (2.5 V) |
| V _{DDA} | 7, 16 | Supply | Analog voltage supply (2.5 V) |
| V _{DDL} | 62, 72, 75, 78, 90–92, 97 | Supply | LVDS supply voltage (2.5 V) |
| V _{DDPLL} | 11 | Supply | PLL voltage supply (2.5 V) |

DETAILED DESCRIPTION

The SLK2701 device is designed to support the OC-48/24/12/3 data rates. It also supports a higher data rate that may be required for FEC support, up to 2.7 Gbps. The operating data speed can be configured through the RSEL0 and RSEL1 pins as indicated in [Table 1](#) for normal SONET rates. For FEC support, the clock and data rates need to be scaled up as required. The highest data and clock rates supported are 675 Mbps and 675 MHz, respectively.

Table 1. Data Rate Select

| SERIAL DATA RATE | RSEL0 | RSEL1 | PARALLEL LVDS DATA RATE | TXCLK/RXCLK |
|-------------------|-------|-------|-------------------------|-------------|
| OC-48: 2.488 Gbps | 0 | 0 | 622.08 Mbps | 622.08 MHz |
| OC-24: 1.244 Gbps | 1 | 0 | 311.04 Mbps | 311.04 MHz |
| OC-12: 622 Mbps | 0 | 1 | 155.52 Mbps | 155.52 MHz |
| OC-3: 155.52 Mbps | 1 | 1 | 38.88 Mbps | 38.88 MHz |

The user can also enable the autorate detection circuitry through the AUTO_DETECT pin. The device automatically detects the OC-N of the data line rate and generates two bits of output to indicate the data rate to other devices in the system. When using AUTO_DETECT, RSEL0 and RSEL1 need to be set to 00 or be unconnected.

Table 2. Data Rate Reporting Under Autorate Detection Mode

| SERIAL DATA RATE | RATEOUT0 | RATEOUT1 | PARALLEL LVDS DATA RATE | TXCLK/RXCLK |
|-------------------|----------|----------|-------------------------|-------------|
| OC-48: 2.488 Gbps | 0 | 0 | 622.08 Mbps | 622.08 MHz |
| OC-24: 1.244 Gbps | 1 | 0 | 311.04 Mbps | 311.04 MHz |
| OC-12: 622 Mbps | 0 | 1 | 155.52 Mbps | 155.52 MHz |
| OC-3: 155.52 Mbps | 1 | 1 | 38.88 Mbps | 38.88 MHz |

The SLK2701 device has four operational modes controlled by two configuration pins. [Table 3](#) lists these operational modes. When the device is put in a certain mode, unused circuit blocks are powered down to conserve system power.

While the transceiver mode, transmit only mode, and receive only mode are straightforward, the repeater mode of operation is shown in [Figure 6](#). The receive serial data is recovered by the extracted clock, and it is then sent back out on the transmit serial outputs. The data eye is open both vertically and horizontally in this process. In the repeater mode, the user can select to turn on the RX demultiplexer function through RX_MONITOR pin and allow the parallel data to be presented. This feature enables the repeater device not only to repeat but also to *listen in*.

Table 3. Operational Modes

| MODE | CONFIG0 | CONFIG1 | DESCRIPTION |
|------|---------|---------|------------------------------|
| 1 | 0 | 0 | Full duplex transceiver mode |
| 2 | 0 | 1 | Transmit only mode |
| 3 | 1 | 0 | Receive only mode |
| 4 | 1 | 1 | Repeater mode |

High-Speed Electrical Interface

The high-speed serial I/O uses a PECL-compatible interface. The line could be directly coupled or ac-coupled. Refer to [Figure 11](#) and [Figure 12](#) for configuration details. As shown in the figures, an on-chip 100-Ω termination resistor is placed differentially at the receive end.

The PECL output also provides preemphasis for compensating ac loss when driving a cable or PCB backplane over long distance. The level of the preemphasis is programmable via the PRE1 and PRE2 pins. Users can use software to control the strength of the preemphasis to optimize the device for a specific system requirement.

Table 4. Programmable De-emphasis

| PRE1 | PRE2 | DE-EMPHASIS LEVEL ($V_{odp}/V_{odd}^{(1)}-1$) |
|------|------|--|
| 0 | 0 | De-emphasis disabled |
| 1 | 0 | 10% |
| 0 | 1 | 20% |
| 1 | 1 | 30% |

- (1) V_{odp} : Differential voltage swing when there is a transition in the data stream.
 V_{odd} : Differential voltage swing when there is no transition in the data stream.

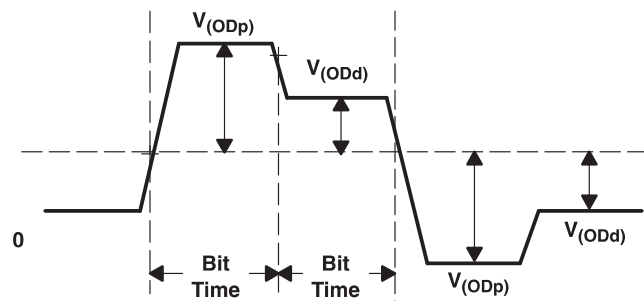


Figure 1. Output Differential Voltage Under De-emphasis

LVDS Parallel Data Interface

The parallel data interface consists of a 4-bit parallel LVDS data and clock. The device conforms to the OIF99.102 specification when operating at the OC-48 rate. When operating at lower serial rates, the clock and data frequency are scaled down accordingly, as indicated in [Table 1](#). The parallel data TXDATA[0:3] is latched on the rising edge of TXCLK and then is sent to a data FIFO to resolve any phase difference between TXCLK and REFCLK. If there is a FIFO overflow condition, the SPILL pin is set high. The FIFO resets itself to realign between two clocks. The internal PLL for the clock synthesizer is locked to the REFCLK, and it is used as the timing to serialize the parallel data (except for the loop timing mode where the recovered clock is used). On the receive side, RXDATA[0:3] is updated on the rising edge of RXCLK. [Figure 8](#) and [Figure 9](#) show the timing diagram for the parallel interface.

The SLK2701 device also has a built-in parity checker and generator for error detection of the LVDS interface. On the transmit side, it accepts the parity bit, TXPARP/N, and performs the parity checking function for even parity. If an error is detected, it pulses the PAR_VALID pin low for two clock cycles. On the receive side, the parity bit, RXPARP/N, is generated for the downstream device for parity error checking.

Differential termination 100-Ω resistors are included on-chip between TXDATAP/N and TXCLKP/N.

Reference Clock

The device accepts a 622.08-MHz clock. The REFCLK input is compatible with the LVDS level and also the 3.3-V LVPECL level using ac-coupling. A 100-Ω differential termination resistor is included on-chip, as well as a dc-biasing circuit (3 kΩ to VDD and 4.5 kΩ to GND) for the ac-coupled case. A high quality REFCLK must be used on systems required to meet SONET/SDH standards. For non-SONET/SDH-compliant systems, loose tolerances may be used.

Clock and Data Recovery

The CDR unit of the SLK2701 device recovers the clock and data from the incoming data streams.

In the event of receive data loss, the PLL automatically locks to the local REFCLK to maintain frequency stability. If the frequency of the data differs by more than 100 ppm with respect to the REFCLK frequency, the LOL pin is asserted as a warning. Actual loss of lock occurs if the data frequency differs by more than 170 ppm.

Minimum Transition Density

The loop filter transfer function is optimized to enable the CDR to track ppm difference in the clocking and tolerate the minimum transition density that can be received in a SONET data signal (± 20 ppm). The transfer function yields a typical capture time of 3500-bit times for random incoming NRZ data after the device is powered up and achieves frequency locking.

The device tolerates up to 72 consecutive digits (CID) without sustaining an error.

Jitter Transfer

The jitter transfer is less than the mask shown in Figure 2 (GR-253 Figure 5-27). Jitter transfer function is defined as the ratio of jitter on the output signal to the jitter applied on the input signal versus frequency. The input sinusoidal jitter amplitude is applied up to the mask level in the jitter tolerance requirement (see Figure 3).

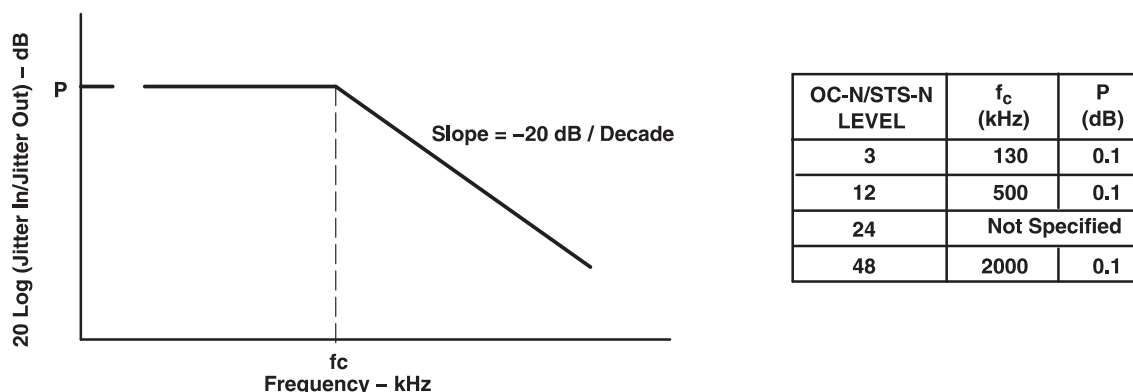
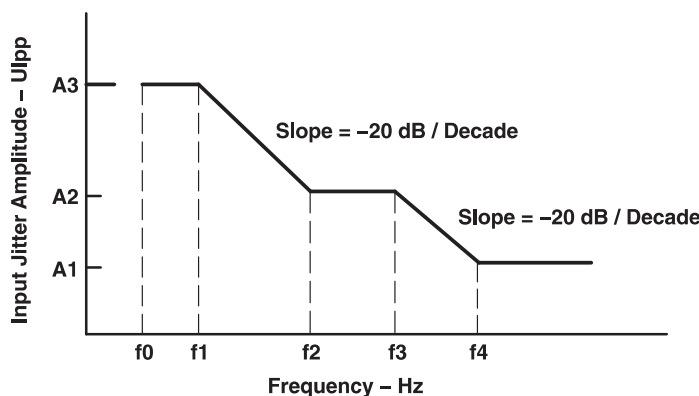


Figure 2. Jitter Transfer

Jitter Tolerance

Input jitter tolerance is defined as the peak-to-peak amplitude of sinusoidal jitter applied on the input signal that causes the equivalent 1-dB optical/electrical power penalty. This refers to the ability of the device to withstand input jitter without causing a recovered data error. The device has a jitter tolerance that exceeds the mask shown in Figure 3 (GR-253 Figure 5-28). This jitter tolerance is specified using a pseudorandom data pattern of $2^{31}-1$.



| OC-N/STS-N LEVEL | F0 (Hz) | F1 (Hz) | F2 (Hz) | F3 (kHz) | F4 (kHz) | A1 (UIpp) | A2 (UIpp) | A3 (UIpp) |
|---------------------|---------------|------------|------------|-------------|-------------|--------------|--------------|--------------|
| 3 | 10 | 30 | 300 | 6.5 | 65 | 0.15 | 1.5 | 15 |
| 12 | 10 | 30 | 300 | 25 | 250 | 0.15 | 1.5 | 15 |
| 24 | Not specified | | | | | | | |
| 48 | 10 | 600 | 6000 | 100 | 1000 | 0.15 | 1.5 | 15 |

Figure 3. Input Jitter Tolerance

Jitter Generation

The jitter of a serial clock and serial data outputs must not exceed $0.01 U_{I_{rms}}/0.1 U_{I_{p-p}}$ when a serial data with no jitter is presented to the inputs. The measurement bandwidth for intrinsic jitter is 12 kHz to 20 MHz.

Loop Timing Mode

When LOOPTIME is high, the clock synthesizer used to serialize the transmit data is bypassed and the timing is provided by the recovered clock. However, REFCLK is still needed for the recovery loop operation.

Loss-of-Lock Indicator

The SLK2701 device has a lock detection circuit to monitor the integrity of the data input. When the clock recovery loop is locked to the input serial data stream, the LOL signal goes high. If the recovered clock frequency deviates from the reference clock frequency by more than 100 ppm, LOL goes low. If the data stream clock rate deviates by more than 170 ppm, loss of lock occurs. If the data streams clock rate deviates more than 500 ppm from the local reference clock, the LOL output status might be unstable. Upon power up, the LOL goes low until the PLL is close to phase lock with the local reference clock.

Loss of Signal

The loss-of-signal (LOS) alarm is set high when no transitions appear in the input data path for more than 2.3 μ s. The LOS signal becomes active when the above condition occurs. If the serial inputs of the device are ac-coupled to its source, the ac-coupling capacitor needs to be big enough to maintain a signal level above the threshold of the receiver for the 2.3- μ s no transition period. Once activated, the LOS alarm pin is latched high until the receiver detects an A1A2 pattern. The recovered clock (RXCLK) is automatically locked to the local reference when LOS occurs. The parallel data (RXDATAx) may still be processed even when LOS is activated.

Signal Detect

The SLK2701 device has an input SIGDET pin to force the device into the loss-of-signal state. This pin is generally connected to the signal detect output of the optical receiver. Depending on the optics manufacturer, this signal can be either active high or active low. To accommodate the differences, a polarity select (PS) is used. For an active low, SIGDET input sets the PS pin high. For an active high, SIGDET input sets the PS pin low. When the PS signal pin and SIGDET are of opposite polarities, the loss-of-signal state is generated and the device transmits all zeroes downstream.

Multiplexer Operation

The 4-bit parallel LVDS data is clocked into an input buffer by a clock derived from the synthesized clock. The data is then clocked into a 4:1 multiplexer. The D0 bit is the most significant bit and is shifted out first in the serial output stream.

Demultiplexer Operation

The serial 2.5-Gbps data is clocked into a 1:4 demultiplexer by the recovered clock. The D0 bit is the first bit that is received in time from the input serial stream. The 4-bit parallel data is then sent to the LVDS driver along with the divided down recovered clock.

Frame Synchronization

The SLK2701 device has a SONET/SDH-compatible frame detection circuit that can be enabled or disabled by the user. Frame detection is enabled when the FRAME_EN pin is high. When enabled, it detects the A1, A2 framing pattern, which is used to locate and align the byte and frame boundaries of the incoming data stream. When FRAME_EN is low, the frame detection circuitry is disabled and the byte boundary is frozen to the location found when detection was previously enabled.

The frame detect circuit searches the incoming data for three consecutive A1 bytes followed immediately by one A2 byte. The data alignment circuit then aligns the parallel output data to the byte and frame boundaries of the incoming data stream. During the framing process the parallel data bus will not contain valid and aligned data. Upon detecting the third A1, A2 framing patterns that are separated by 125 μ s from each other, the FSYNC signal goes high for four RXCLK cycles, indicating frame synchronization has been achieved.

The probability that random data in a SONET/SDH data stream will mimic the framing pattern in the data payload is extremely low. However, there is a state machine built in to prevent false reframing if a framing pattern does show up in the data payload.

Testability

The SLK2701 device has a comprehensive suite of built-in self-tests. The loopback function provides for at-speed testing of the transmit/receive portions of the circuitry. The ENABLE pin allows for all circuitry to be disabled so that an IDDQ test can be performed. The PRBS function allows for a built-in self-test (BIST).

IDDQ Function

When held low, the ENABLE pin disables all quiescent power in both the analog and digital circuitry. This allows for IDDQ testing on all power supplies and can also be used to conserve power when the link is inactive.

Local Loopback

The LLOOP signal pin controls the local loopback. When LLOOP is high, the loopback mode is activated and the parallel transmit data is selected and presented on the parallel receive data output pins. The parallel transmit data is also multiplexed and presented on the high-speed serial transmit pins. Local loopback can only be enabled under transceiver mode.

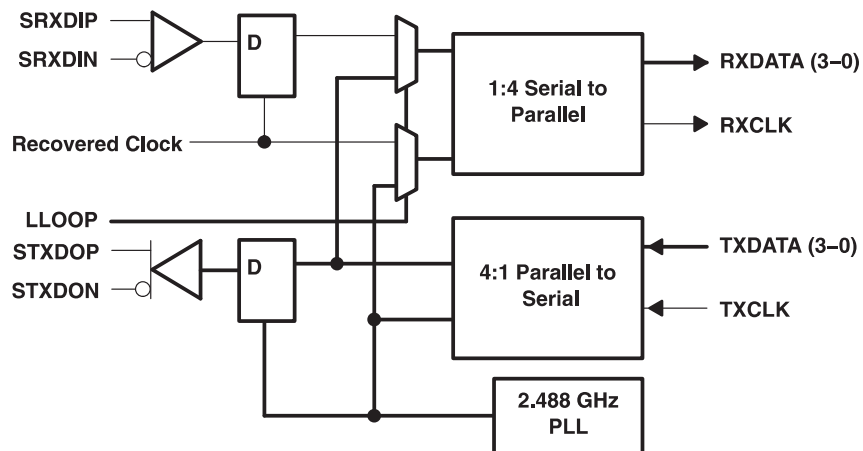


Figure 4. Local Loopback Data Path

Remote Loopback

The RLOOP signal pin controls the remote loopback. When RLOOP is high, the serial receive data is selected and presented on the serial transmit data output pins. The serial received data is also demultiplexed and presented on the parallel receive data pins. The remote loop can be enabled only when the device is under transceiver mode. When the device is put under the repeater mode with RX_MONITOR high, it performs the same function as remote loopback.

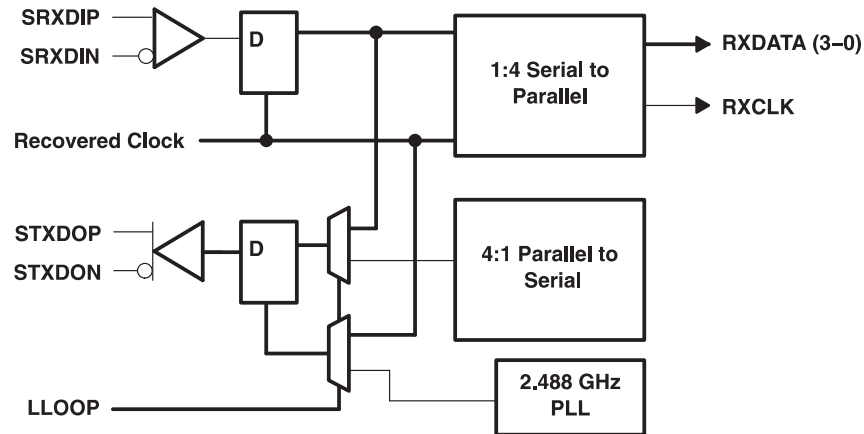


Figure 5. Remote Loopback Data Path/Repeater Mode Operation

PRBS

The SLK2701 device has two built-in pseudorandom bit stream (PRBS) functions. The PRBS generator is used to transmit a PRBS signal. The PRBS verifier is used to check and verify a received PRBS signal.

When the PRBSEN pin is high, the PRBS generator and verifier are both enabled. A PRBS is generated and fed into the parallel transmitter input bus. Data from the normal input source is ignored in PRBS mode. The PRBS pattern is then fed through the transmitter circuitry as if it was normal data and sent out by the transmitter. The output can be sent to a bit error rate tester (BERT) or to the receiver of another SLK2701 device. If an error occurs in the PRBS pattern, the PRBSPASS pin is set low for two RXCLKP/N cycles.

Power-On Reset

Upon application of minimum valid power, the SLK2701 device generates a power-on reset. During the power-on reset the PRXDATA[0:3] signal pins go to 3-state. RXCLKP and RXCLKN are held low. The length of the power-on reset cycle is dependent upon the REFCLKP and REFCLKN frequency but is less than 1 ms in duration.

ABSOLUTE MAXIMUM RATINGS

over operating free-air temperature range (unless otherwise noted)⁽¹⁾

| | | VALUE | UNIT |
|-------------------------|--|-------------------------------|------|
| V _{DD} | Supply voltage | –0.3 to 3 | V |
| Voltage range | TTL input terminals | –0.3 to 4 | V |
| | LVDS terminals | –0.3 to 3 | V |
| | Any other terminal except above | –0.3 to V _{DD} + 0.3 | V |
| P _D | Package power dissipation | See Dissipation Rating Table | |
| T _{stg} | Storage temperature | –65 to 150 | °C |
| Electrostatic discharge | HBM | 2 | kV |
| | | | |
| T _A | Characterized free-air operating temperature range | –40 to 85 | °C |
| | Lead temperature 1,6 mm (1/16 inch) from case for 10 seconds | 260 | °C |

(1) Stresses beyond those listed under *absolute maximum ratings* may cause permanent damage to the device. These are stress ratings only, and functional operation of the device at these or any other conditions beyond those indicated under *recommended operating conditions* is not implied. Exposure to absolute-maximum-rated conditions for extended periods may affect device reliability.

DISSIPATION RATING TABLE

| PACKAGE | T _A ≤ 25°C POWER RATING | DERATING FACTOR ⁽¹⁾ ABOVE T _A = 25°C | T _A = 85°C POWER RATING |
|--------------------|---------------------------------------|---|---------------------------------------|
| PZP ⁽²⁾ | 3.4 W | 33.78 mW/°C | 1.3 W |
| PZP ⁽³⁾ | 2.27 W | 22.78 mW/°C | 0.911 W |

(1) This is the inverse of the traditional junction-to-ambient thermal resistance (R_{θJA}).

(2) 2 oz trace and copper pad with solder.

(3) 2 oz trace and copper pad without solder.

RECOMMENDED OPERATING CONDITIONS

over operating free-air temperature range (unless otherwise noted)

| | | MIN | NOM | MAX | UNIT | |
|-----------------|--------------------------------|--|-----|-----|------|----|
| V _{DD} | Supply voltage | 2.3 | 2.5 | 2.7 | V | |
| P _D | Power dissipation | Frequency = 2.488 Gb/sec, PRBS pattern | | 700 | 900 | mW |
| | Shutdown current | Enable = 0, V _{DDA} , V _{DD} pins, V _{DD} = max | | 20 | | μA |
| T _A | Operating free-air temperature | –40 | | 85 | | °C |

START UP SEQUENCE

To ensure proper start up, follow one of the following steps when powering up the SLK2701 device.

1. Keep ENABLE (pin 44) low until power supplies and reference clock have become stable.
2. Drive ENABLE (pin 44) low for at least 30 ns after power supplies and reference clock have become stable.

ELECTRICAL CHARACTERISTICS

over recommended operating conditions (unless otherwise noted)

| PARAMETER | | TEST CONDITIONS | MIN | TYP | MAX | UNIT |
|---------------------------------|--------------------------------------|---|------|------|------|---------------|
| TTL | | | | | | |
| V_{IH} | High-level input voltage | | 2 | | 3.6 | V |
| V_{IL} | Low-level input voltage | | | | 0.80 | V |
| I_{IH} | Input high current | $V_{DD} = \text{MAX}, V_{IN} = 2 \text{ V}$ | | | 40 | μA |
| I_{IL} | Input low current | $V_{DD} = \text{MAX}, V_{IN} = 0.4 \text{ V}$ | -40 | | | μA |
| V_{OH} | High-level output voltage | $I_{OH} = -1 \text{ mA}$ | 2.10 | 2.3 | | V |
| V_{OL} | Low-level output voltage | $I_{OH} = 1 \text{ mA}$ | | 0.25 | 0.5 | V |
| C_I | Input capacitance | | | | 4 | pF |
| LVDS INPUT SIGNALS | | | | | | |
| V_I | Input voltage | | 825 | | 1575 | mV |
| $V_{ID(th)}$ | Input differential threshold voltage | | 100 | | | mV |
| C_I | Input capacitance | | | | 3 | pF |
| R_I | Input differential impedance | On-chip termination | 80 | 100 | 120 | Ω |
| t_{su} | Input setup time requirement | See Figure 8 | 300 | | | ps |
| t_h | Input hold time requirement | See Figure 8 | 300 | | | ps |
| $T_{(duty)}$ | Input clock duty cycle | | 40% | | 60% | |
| LVDS OUTPUT SIGNALS | | | | | | |
| V_{OD} | Output differential voltage | $R_L = 100 \pm 1\%$ | 300 | | 800 | mV |
| V_{OS} | Output common mode voltage | | 1070 | | 1375 | |
| ΔV_{OD} | Change VOD between 1 and 0 | | | | 25 | |
| ΔV_{OS} | Change VOS between 1 and 0 | | | | 25 | |
| $I_{(SP)}, I_{(SN)}, I_{(SPN)}$ | Output short circuit current | Outputs shorted to ground or shorted together | | | 24 | mA |
| I_{off} | Power-off current | $V_{DD} = 0 \text{ V}$ | | | 10 | μA |
| $t_{(cq_min)}$ | Clock-output time | See Figure 7 | | | 100 | ps |
| $t_{(cq_max)}$ | | | | | 100 | |
| t_r/t_f | Output transition time | 20% to 80% | 100 | | 300 | ps |
| | Output clock duty cycle | | 45% | | 55% | |
| | Data output to FRAME_SYNC delay | | 4 | | 7 | Bit times |

TIMING REQUIREMENTS

over recommended operating conditions (unless otherwise noted)

| PARAMETER | TEST CONDITIONS | MIN | TYP | MAX | UNIT |
|------------------------------------|------------------|-----|--------|-----|--------|
| REFERENCE CLOCK (REFCLK) | | | | | |
| Frequency tolerance ⁽¹⁾ | | -20 | | 20 | ppm |
| Duty cycle | | 40% | 50% | 60% | |
| Jitter | 12 kHz to 20 MHz | | | 3 | ps rms |
| Frequency range absolute value | | | 622.08 | | MHz |

(1) The ± 20 -ppm tolerance is required to meet SONET/SDH requirements. For non-SONET/SDH-compliant systems, looser tolerances may apply.

PLL PERFORMANCE SPECIFICATIONS

| PARAMETER | TEST CONDITIONS | MIN | TYP | MAX | UNIT |
|-----------------------|---|-----|------|-----|-----------|
| PLL startup lock time | $V_{DD}, V_{DDC} = 2.3$ V, after REFCLK is stable | | | 1 | ms |
| Acquisition lock time | Valid SONET signal or PRBS OC-48 | | 2031 | | Bit Times |

SERIAL TRANSMITTER/RECEIVER CHARACTERISTICS

| PARAMETER | TEST CONDITIONS | MIN | TYP | MAX | UNIT |
|--|--|------|------|------|-----------|
| $V_{odd} = STXDOP-STXDON $, transmit differential output voltage under de-emphasis | PRE1 = 0, PRE2 = 0, $R_t = 50$, See Table 4 and Figure 1 | 650 | 850 | 1000 | mV |
| | PRE1 = 1, PRE2 = 0 | 550 | 750 | 900 | |
| | PRE1 = 0, PRE2 = 1 | 540 | 700 | 860 | |
| | PRE1 = 1, PRE2 = 1 | 500 | 650 | 800 | |
| $V_{(CMT)}$ Transmit common mode voltage range | $R_t = 50 \Omega$ | 1100 | 1250 | 1400 | mV |
| Receiver Input voltage requirement, $V_{id} = SRXDIP-SRXDIN $ | | 150 | | | mV |
| $V_{(CMR)}$ Receiver common mode voltage range | | 1100 | 1250 | 2250 | mV |
| I_l Receiver input leakage | | -550 | | 550 | μ A |
| R_l Receiver differential impedance | | 80 | 100 | 120 | Ω |
| C_l Receiver input capacitance | | | | 1 | pF |
| $t_{d(TX_Latency)}$ | | | | 50 | Bit Times |
| $t_{d(RX_Latency)}$ | | | | 50 | |

SERIAL DIFFERENTIAL SWITCHING CHARACTERISTICS

over recommended operating conditions (unless otherwise noted)

| PARAMETER | TEST CONDITIONS | MIN | TYP | MAX | UNIT |
|--|---|-----|------|-----|-------------|
| t_t Differential signal rise time (20% to 80%) | $R_L = 50 \Omega$ | 80 | 100 | 140 | ps |
| t_j Output jitter | Jitter-free data, 12 kHz to 20 MHz, RLOOP = 1 | | 0.05 | 0.1 | $U_{l(pp)}$ |
| Jitter tolerance | RLOOP = 1, See Figure 3 | | | | |
| Jitter transfer | RLOOP = 1, See Figure 2 | | | | |

TYPICAL CHARACTERISTICS

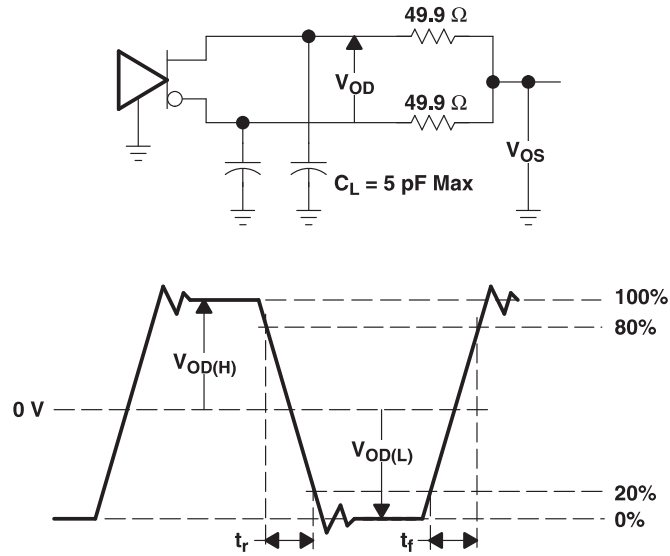


Figure 6. Test Load and Voltage Definitions for LVDS Outputs

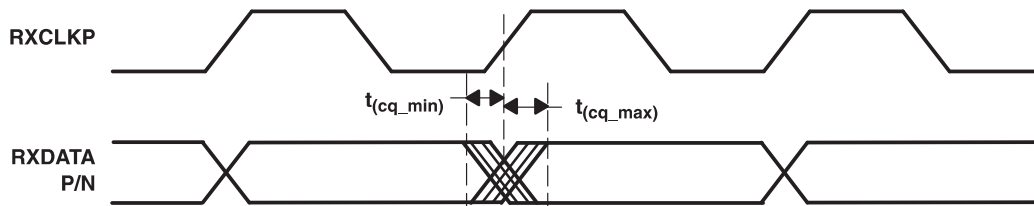


Figure 7. LVDS Output Waveform

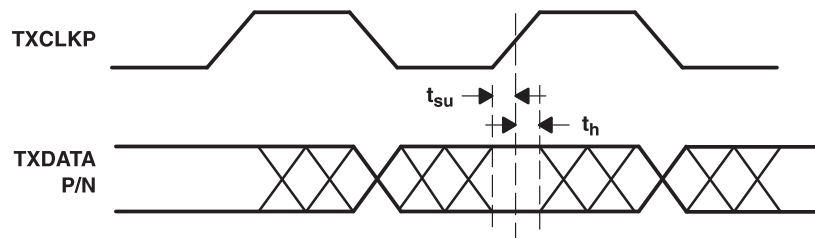


Figure 8. LVDS Input Waveform

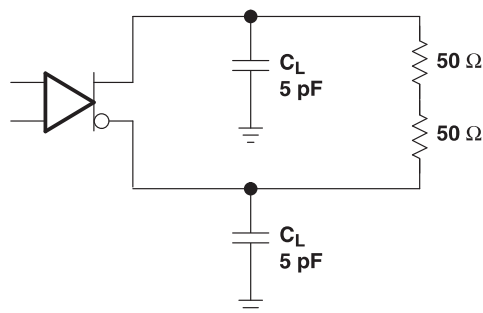


Figure 9. Transmitter Test Setup

TYPICAL CHARACTERISTICS (continued)

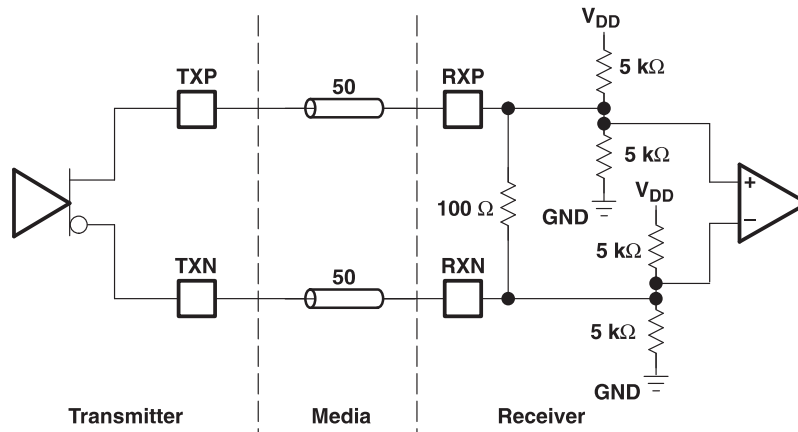


Figure 10. High-Speed I/O Directly-Coupled Mode

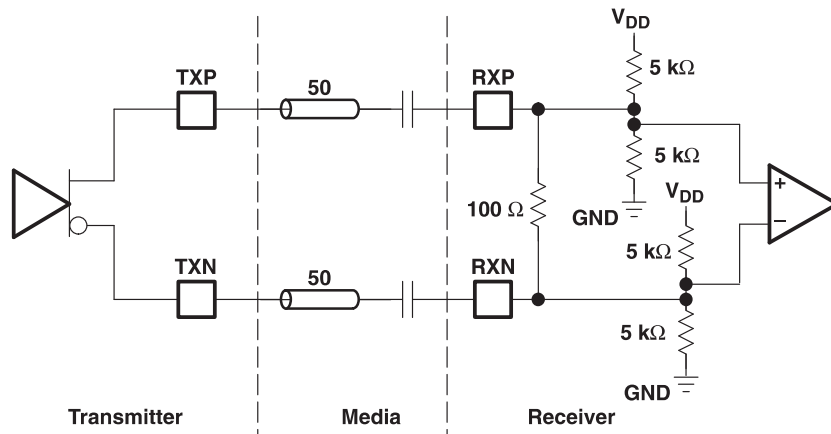


Figure 11. High-Speed I/O AC-Coupled Mode

APPLICATION INFORMATION

DESIGNING WITH THE PowerPAD PACKAGE

The SLK2701 device is housed in high-performance, thermally enhanced, 100-pin PZP PowerPAD packages. Use of a PowerPAD package does not require any special considerations except to note that the PowerPAD, which is an exposed die pad on the bottom of the device, is a metallic thermal and electrical conductor. Correct device operation requires that the PowerPAD be soldered to the thermal land. Do not run any etches or signal vias under the device, but have only a grounded thermal land, as explained below. Although the actual size of the exposed die pad may vary, the minimum size required for the keepout area for the 100-pin PZP PowerPAD package is 12 mm × 12 mm.

A thermal land, which is an area of solder-tinned-copper, is required underneath the PowerPAD package. The thermal land varies in size depending on the PowerPAD package being used, the PCB construction, and the amount of heat that needs to be removed. In addition, the thermal land may or may not contain numerous thermal vias, depending on PCB construction.

Other requirements for thermal lands and thermal vias are detailed in the TI application note PowerPAD. *Thermally Enhanced Package Application Report*, TI literature number [SLMA002](#), available via the TI Web pages beginning at URL <http://www.ti.com>.

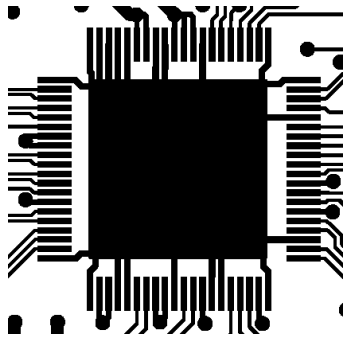


Figure 12. Example of a Thermal Land

For the SLK2701 device, this thermal land must be grounded to the low-impedance ground plane of the device. This improves not only thermal performance but also the electrical grounding of the device. It is also recommended that the device ground terminal landing pads be connected directly to the grounded thermal land. The land size must be as large as possible without shorting device signal terminals. The thermal land may be soldered to the exposed PowerPAD using standard reflow soldering techniques.

While the thermal land may be electrically floated and configured to remove heat to an external heat sink, it is recommended that the thermal land be connected to the low-impedance ground plane of the device. More information may be obtained from the TI application note *PHY Layout*, TI literature number [SLLA020](#).

PACKAGING INFORMATION

| Orderable Device | Status ⁽¹⁾ | Package Type | Package Drawing | Pins | Package Qty | Eco Plan ⁽²⁾ | Lead/Ball Finish | MSL Peak Temp ⁽³⁾ |
|------------------|-----------------------|--------------|-----------------|------|-------------|-------------------------|------------------|------------------------------|
| SLK2701IPZP | ACTIVE | HTQFP | PZP | 100 | 90 | Green (RoHS & no Sb/Br) | CU NIPDAU | Level-3-260C-168 HR |
| SLK2701IPZPG4 | ACTIVE | HTQFP | PZP | 100 | 90 | Green (RoHS & no Sb/Br) | CU NIPDAU | Level-3-260C-168 HR |

⁽¹⁾ The marketing status values are defined as follows:

ACTIVE: Product device recommended for new designs.

LIFEBUY: TI has announced that the device will be discontinued, and a lifetime-buy period is in effect.

NRND: Not recommended for new designs. Device is in production to support existing customers, but TI does not recommend using this part in a new design.

PREVIEW: Device has been announced but is not in production. Samples may or may not be available.

OBsolete: TI has discontinued the production of the device.

⁽²⁾ Eco Plan - The planned eco-friendly classification: Pb-Free (RoHS), Pb-Free (RoHS Exempt), or Green (RoHS & no Sb/Br) - please check <http://www.ti.com/productcontent> for the latest availability information and additional product content details.

TBD: The Pb-Free/Green conversion plan has not been defined.

Pb-Free (RoHS): TI's terms "Lead-Free" or "Pb-Free" mean semiconductor products that are compatible with the current RoHS requirements for all 6 substances, including the requirement that lead not exceed 0.1% by weight in homogeneous materials. Where designed to be soldered at high temperatures, TI Pb-Free products are suitable for use in specified lead-free processes.

Pb-Free (RoHS Exempt): This component has a RoHS exemption for either 1) lead-based flip-chip solder bumps used between the die and package, or 2) lead-based die adhesive used between the die and leadframe. The component is otherwise considered Pb-Free (RoHS compatible) as defined above.

Green (RoHS & no Sb/Br): TI defines "Green" to mean Pb-Free (RoHS compatible), and free of Bromine (Br) and Antimony (Sb) based flame retardants (Br or Sb do not exceed 0.1% by weight in homogeneous material)

⁽³⁾ MSL, Peak Temp. -- The Moisture Sensitivity Level rating according to the JEDEC industry standard classifications, and peak solder temperature.

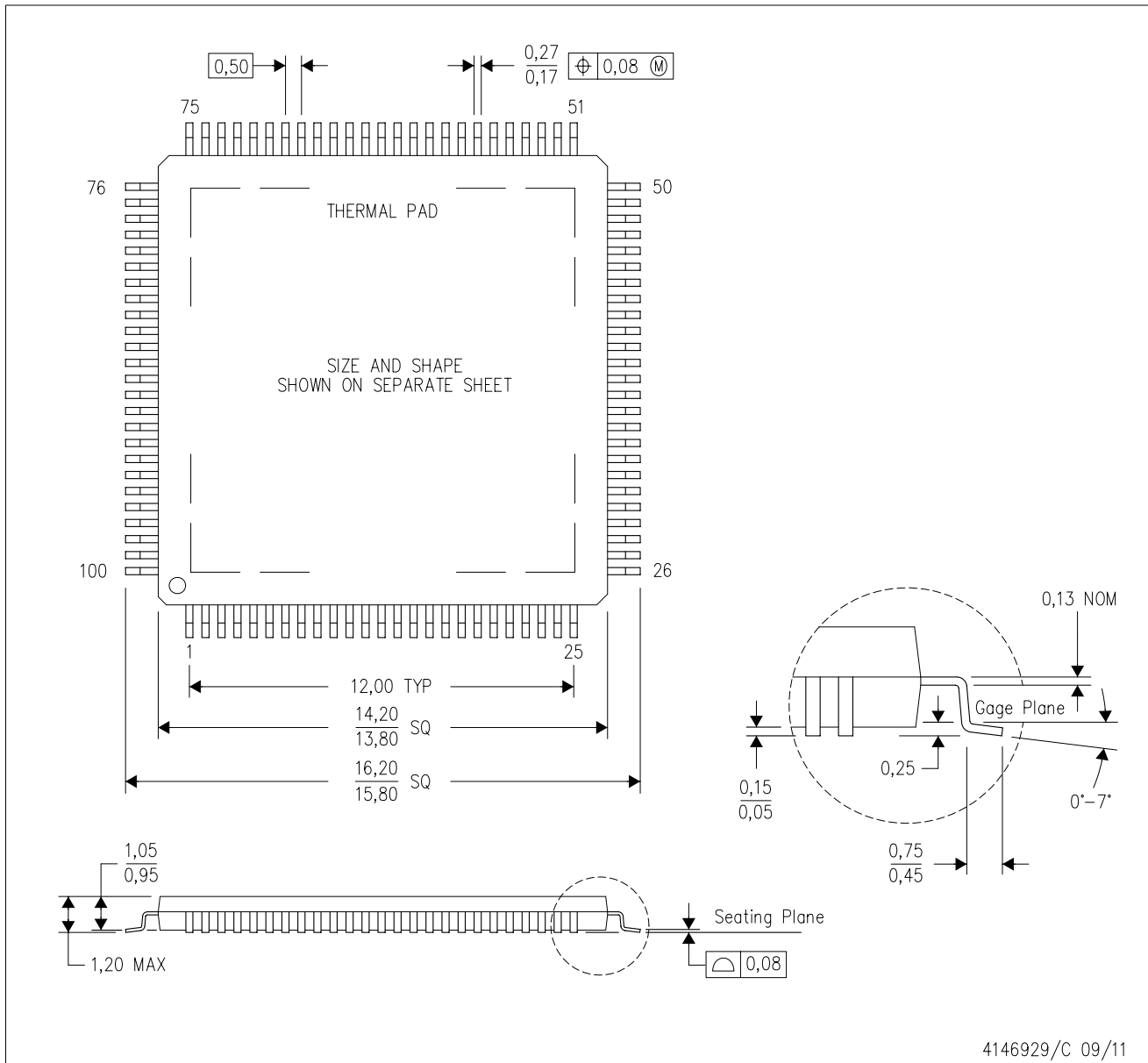
Important Information and Disclaimer:The information provided on this page represents TI's knowledge and belief as of the date that it is provided. TI bases its knowledge and belief on information provided by third parties, and makes no representation or warranty as to the accuracy of such information. Efforts are underway to better integrate information from third parties. TI has taken and continues to take reasonable steps to provide representative and accurate information but may not have conducted destructive testing or chemical analysis on incoming materials and chemicals. TI and TI suppliers consider certain information to be proprietary, and thus CAS numbers and other limited information may not be available for release.

In no event shall TI's liability arising out of such information exceed the total purchase price of the TI part(s) at issue in this document sold by TI to Customer on an annual basis.

MECHANICAL DATA

PZP (S-PQFP-G100)

PowerPAD™ PLASTIC QUAD FLATPACK



- NOTES:
- All linear dimensions are in millimeters.
 - This drawing is subject to change without notice.
 - Body dimensions do not include mold flash or protrusion
 - This package is designed to be soldered to a thermal pad on the board. Refer to Technical Brief, PowerPad Thermally Enhanced Package, Texas Instruments Literature No. SLMA002 for information regarding recommended board layout. This document is available at www.ti.com <<http://www.ti.com>>.
 - See the additional figure in the Product Data Sheet for details regarding the exposed thermal pad features and dimensions.
 - Falls within JEDEC MS-026

PowerPAD is a trademark of Texas Instruments.

THERMAL PAD MECHANICAL DATA

PZP (S-PQFP-G100)

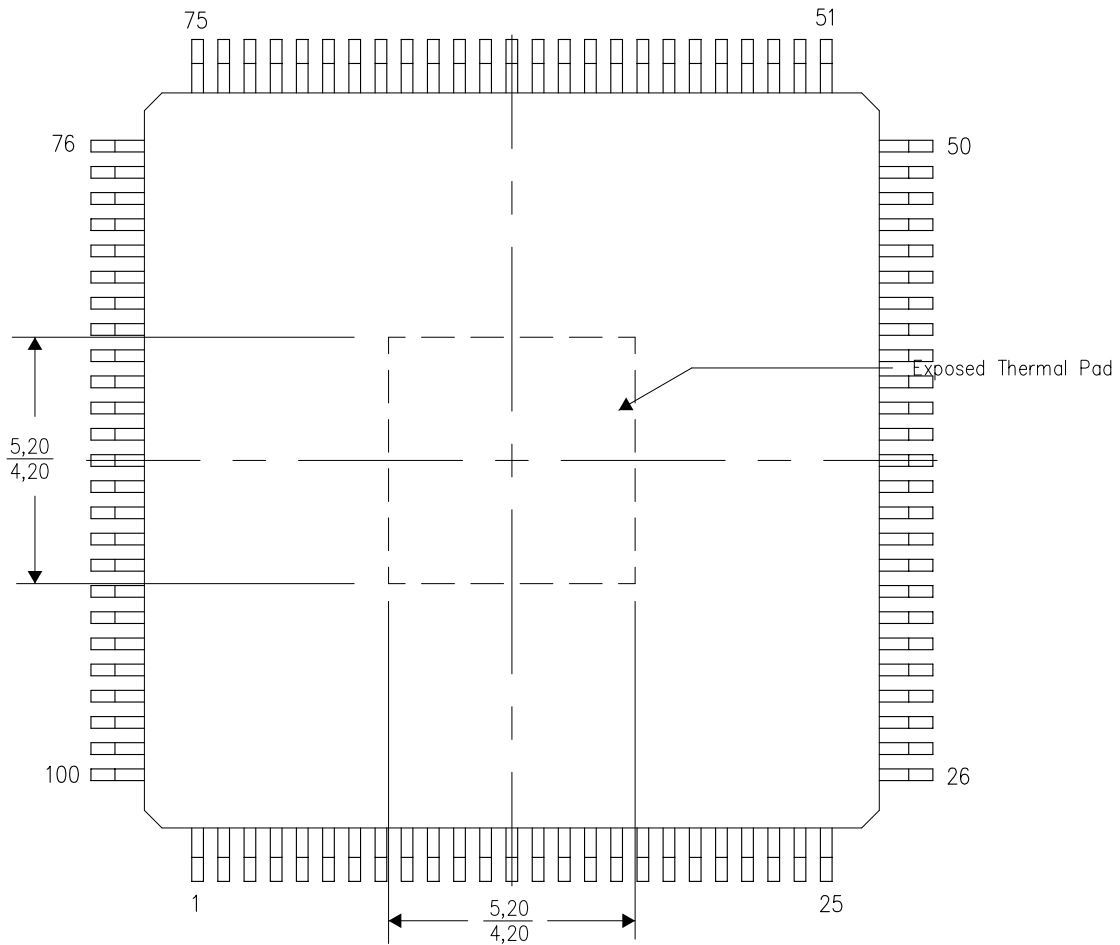
PowerPAD™ PLASTIC QUAD FLATPACK

THERMAL INFORMATION

This PowerPAD™ package incorporates an exposed thermal pad that is designed to be attached to a printed circuit board (PCB). The thermal pad must be soldered directly to the PCB. After soldering, the PCB can be used as a heatsink. In addition, through the use of thermal vias, the thermal pad can be attached directly to the appropriate copper plane shown in the electrical schematic for the device, or alternatively, can be attached to a special heatsink structure designed into the PCB. This design optimizes the heat transfer from the integrated circuit (IC).

For additional information on the PowerPAD package and how to take advantage of its heat dissipating abilities, refer to Technical Brief, PowerPAD Thermally Enhanced Package, Texas Instruments Literature No. SLMA002 and Application Brief, PowerPAD Made Easy, Texas Instruments Literature No. SLMA004. Both documents are available at www.ti.com.

The exposed thermal pad dimensions for this package are shown in the following illustration.



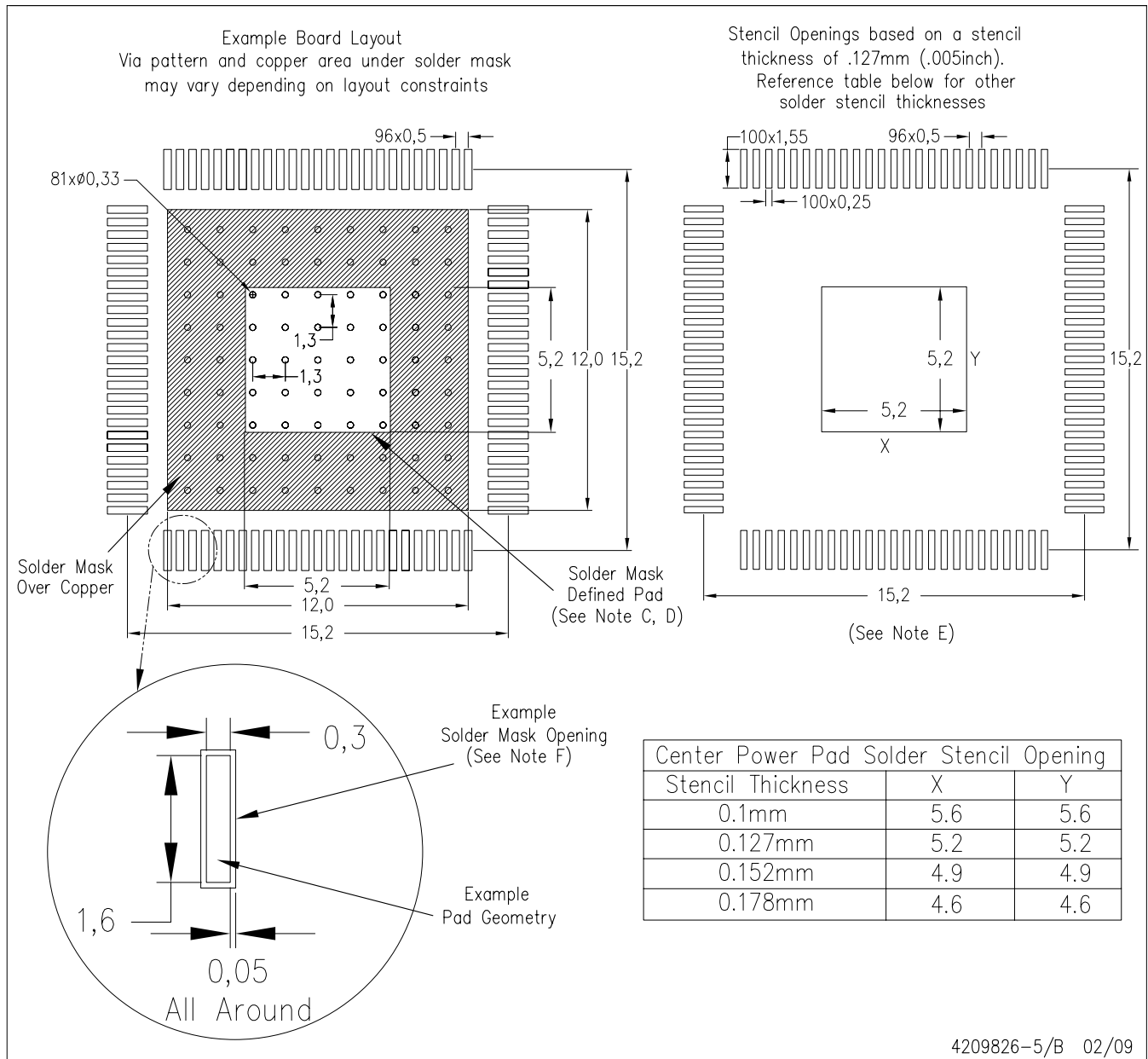
Top View

Exposed Thermal Pad Dimensions

4206333-2/G 09/11

NOTE: A. All linear dimensions are in millimeters

PZP (S-PQFP-G100) PowerPAD™



- NOTES:
- All linear dimensions are in millimeters.
 - This drawing is subject to change without notice.
 - Customers should place a note on the circuit board fabrication drawing not to alter the center solder mask defined pad.
 - This package is designed to be soldered to a thermal pad on the board. Refer to Technical Brief, PowerPAD Thermally Enhanced Package, Texas Instruments Literature No. SLMA002, SLMA004, and also the Product Data Sheets for specific thermal information, via requirements, and recommended board layout. These documents are available at www.ti.com <<http://www.ti.com>>. Publication IPC-7351 is recommended for alternate designs.
 - Laser cutting apertures with trapezoidal walls and also rounding corners will offer better paste release. Customers should contact their board assembly site for stencil design recommendations. Example stencil design based on a 50% volumetric metal load solder paste. Refer to IPC-7525 for other stencil recommendations.
 - Customers should contact their board fabrication site for solder mask tolerances between and around signal pads.

PowerPAD is a trademark of Texas Instruments.

IMPORTANT NOTICE

Texas Instruments Incorporated and its subsidiaries (TI) reserve the right to make corrections, modifications, enhancements, improvements, and other changes to its products and services at any time and to discontinue any product or service without notice. Customers should obtain the latest relevant information before placing orders and should verify that such information is current and complete. All products are sold subject to TI's terms and conditions of sale supplied at the time of order acknowledgment.

TI warrants performance of its hardware products to the specifications applicable at the time of sale in accordance with TI's standard warranty. Testing and other quality control techniques are used to the extent TI deems necessary to support this warranty. Except where mandated by government requirements, testing of all parameters of each product is not necessarily performed.

TI assumes no liability for applications assistance or customer product design. Customers are responsible for their products and applications using TI components. To minimize the risks associated with customer products and applications, customers should provide adequate design and operating safeguards.

TI does not warrant or represent that any license, either express or implied, is granted under any TI patent right, copyright, mask work right, or other TI intellectual property right relating to any combination, machine, or process in which TI products or services are used. Information published by TI regarding third-party products or services does not constitute a license from TI to use such products or services or a warranty or endorsement thereof. Use of such information may require a license from a third party under the patents or other intellectual property of the third party, or a license from TI under the patents or other intellectual property of TI.

Reproduction of TI information in TI data books or data sheets is permissible only if reproduction is without alteration and is accompanied by all associated warranties, conditions, limitations, and notices. Reproduction of this information with alteration is an unfair and deceptive business practice. TI is not responsible or liable for such altered documentation. Information of third parties may be subject to additional restrictions.

Resale of TI products or services with statements different from or beyond the parameters stated by TI for that product or service voids all express and any implied warranties for the associated TI product or service and is an unfair and deceptive business practice. TI is not responsible or liable for any such statements.

TI products are not authorized for use in safety-critical applications (such as life support) where a failure of the TI product would reasonably be expected to cause severe personal injury or death, unless officers of the parties have executed an agreement specifically governing such use. Buyers represent that they have all necessary expertise in the safety and regulatory ramifications of their applications, and acknowledge and agree that they are solely responsible for all legal, regulatory and safety-related requirements concerning their products and any use of TI products in such safety-critical applications, notwithstanding any applications-related information or support that may be provided by TI. Further, Buyers must fully indemnify TI and its representatives against any damages arising out of the use of TI products in such safety-critical applications.

TI products are neither designed nor intended for use in military/aerospace applications or environments unless the TI products are specifically designated by TI as military-grade or "enhanced plastic." Only products designated by TI as military-grade meet military specifications. Buyers acknowledge and agree that any such use of TI products which TI has not designated as military-grade is solely at the Buyer's risk, and that they are solely responsible for compliance with all legal and regulatory requirements in connection with such use.

TI products are neither designed nor intended for use in automotive applications or environments unless the specific TI products are designated by TI as compliant with ISO/TS 16949 requirements. Buyers acknowledge and agree that, if they use any non-designated products in automotive applications, TI will not be responsible for any failure to meet such requirements.

Following are URLs where you can obtain information on other Texas Instruments products and application solutions:

Products

| | |
|------------------------|--|
| Audio | www.ti.com/audio |
| Amplifiers | amplifier.ti.com |
| Data Converters | dataconverter.ti.com |
| DLP® Products | www.dlp.com |
| DSP | dsp.ti.com |
| Clocks and Timers | www.ti.com/clocks |
| Interface | interface.ti.com |
| Logic | logic.ti.com |
| Power Mgmt | power.ti.com |
| Microcontrollers | microcontroller.ti.com |
| RFID | www.ti-rfid.com |
| OMAP Mobile Processors | www.ti.com/omap |
| Wireless Connectivity | www.ti.com/wirelessconnectivity |

Applications

| | |
|-------------------------------|--|
| Communications and Telecom | www.ti.com/communications |
| Computers and Peripherals | www.ti.com/computers |
| Consumer Electronics | www.ti.com/consumer-apps |
| Energy and Lighting | www.ti.com/energy |
| Industrial | www.ti.com/industrial |
| Medical | www.ti.com/medical |
| Security | www.ti.com/security |
| Space, Avionics and Defense | www.ti.com/space-avionics-defense |
| Transportation and Automotive | www.ti.com/automotive |
| Video and Imaging | www.ti.com/video |

TI E2E Community Home Page

e2e.ti.com

Mailing Address: Texas Instruments, Post Office Box 655303, Dallas, Texas 75265
Copyright © 2011, Texas Instruments Incorporated