

CDC318A

1-LINE TO 18-LINE CLOCK DRIVER WITH I²C CONTROL INTERFACE

SCAS614A – SEPTEMBER 1998 – REVISED JUNE 2002

- High-Speed, Low-Skew 1-to-18 Clock Buffer for Synchronous DRAM (SDRAM) Clock Buffering Applications
- Output Skew, $t_{sk(o)}$, Less Than 250 ps
- Pulse Skew, $t_{sk(p)}$, Less Than 500 ps
- Supports up to Four Unbuffered SDRAM Dual Inline Memory Modules (DIMMs)
- I²C Serial Interface Provides Individual Enable Control for Each Output
- Operates at 3.3 V
- Distributed V_{CC} and Ground Pins Reduce Switching Noise
- 100-MHz Operation
- ESD Protection Exceeds 2000 V Per MIL-STD-883, Method 3015
- Packaged in 48-Pin Shrink Small Outline (DL) Package

description

The CDC318A is a high-performance clock buffer designed to distribute high-speed clocks in PC applications. This device distributes one input (A) to 18 outputs (Y) with minimum skew for clock distribution. The CDC318A operates from a 3.3-V power supply. It is characterized for operation from 0°C to 70°C.

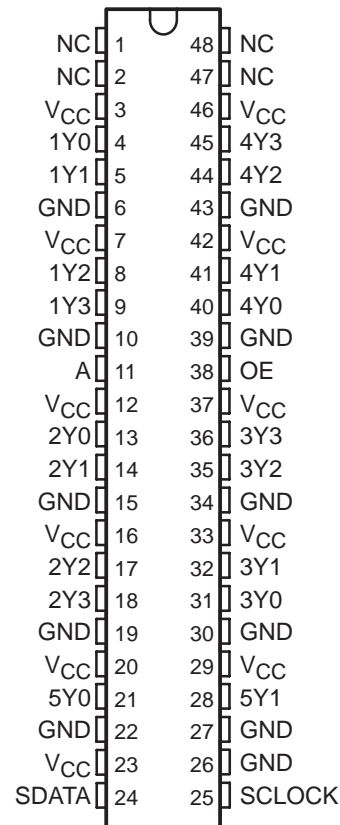
This device has been designed with consideration for optimized EMI performance. Depending on the application layout, damping resistors in series to the clock outputs (like proposed in the PC100 specification) may not be needed in most cases.

The device provides a standard mode (100K-bits/s) I²C serial interface for device control. The implementation is as a slave/receiver. The device address is specified in the I²C device address table. Both of the I²C inputs (SDATA and SCLOCK) are 5-V tolerant and provide integrated pullup resistors (typically 140 kΩ).

Three 8-bit I²C registers provide individual enable control for each of the outputs. All outputs default to enabled at powerup. Each output can be placed in a disabled mode with a low-level output when a low-level control bit is written to the control register. The registers are write only and must be accessed in sequential order (i.e., random access of the registers is not supported).

The CDC318A provides 3-state outputs for testing and debugging purposes. The outputs can be placed in a high-impedance state via the output-enable (OE) input. When OE is high, all outputs are in the operational state. When OE is low, the outputs are placed in a high-impedance state. OE provides an integrated pullup resistor.

DL PACKAGE
(TOP VIEW)



NC – No internal connection



Please be aware that an important notice concerning availability, standard warranty, and use in critical applications of Texas Instruments semiconductor products and disclaimers thereto appears at the end of this data sheet.

PRODUCTION DATA information is current as of publication date. Products conform to specifications per the terms of Texas Instruments standard warranty. Production processing does not necessarily include testing of all parameters.



POST OFFICE BOX 655303 • DALLAS, TEXAS 75265

Copyright © 2002, Texas Instruments Incorporated

CDC318A

1-LINE TO 18-LINE CLOCK DRIVER WITH I²C CONTROL INTERFACE

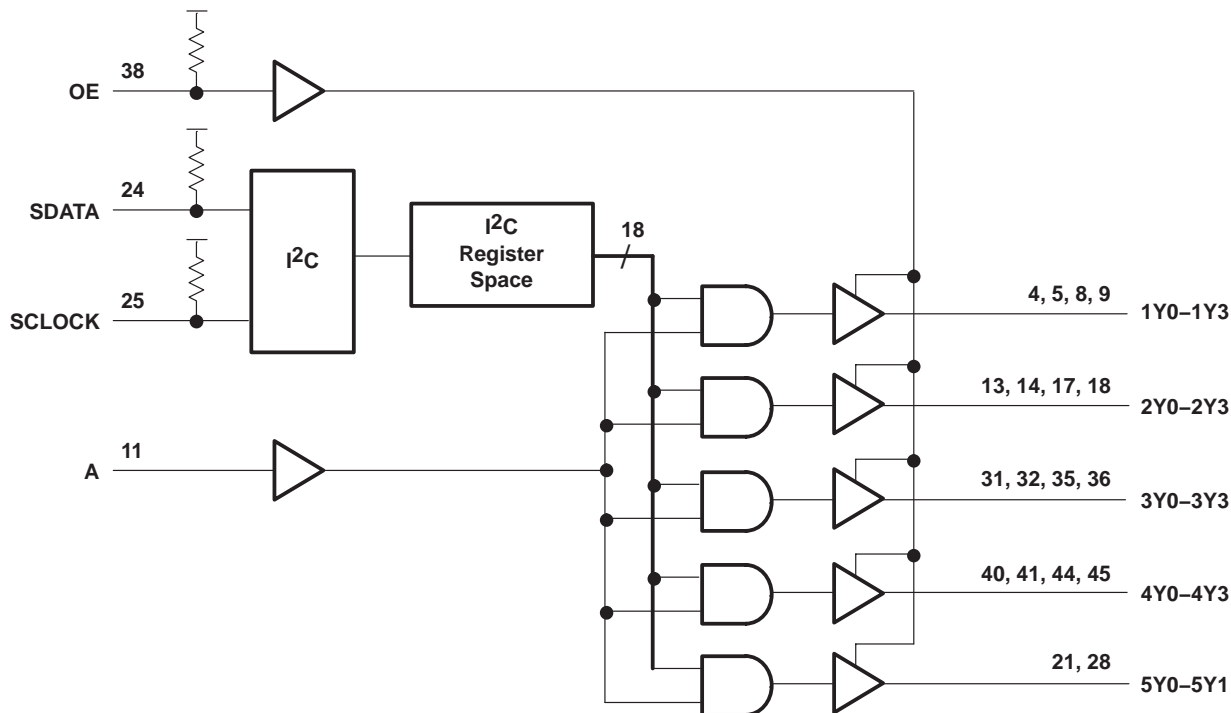
SCAS614A – SEPTEMBER 1998 – REVISED JUNE 2002

FUNCTION TABLE

INPUTS		OUTPUTS				
OE	A	1Y0-1Y3	2Y0-2Y3	3Y0-3Y3	4Y0-4Y3	5Y0-5Y1
L	X	Hi-Z	Hi-Z	Hi-Z	Hi-Z	Hi-Z
H	L	L	L	L	L	L
H	H	H†	H†	H†	H†	H†

† The function table assumes that all outputs are enabled via the appropriate I²C configuration register bit. If the output is disabled via the appropriate configuration bit, then the output is driven to a low state, regardless of the state of the A input.

logic diagram (positive logic)



Terminal Functions

TERMINAL NAME	NO.	I/O	DESCRIPTION
1Y0–1Y3	4, 5, 8, 9	O	3.3-V SDRAM byte 0 clock outputs
2Y0–2Y3	13, 14, 17, 18	O	3.3-V SDRAM byte 1 clock outputs
3Y0–3Y3	31, 32, 35, 36	O	3.3-V SDRAM byte 2 clock outputs
4Y0–4Y3	40, 41, 44, 45	O	3.3-V SDRAM byte 3 clock outputs
5Y0–5Y1	21, 28	O	3.3-V clock outputs provided for feedback control of external phase-locked loops (PLLs)
A	11	I	Clock input
OE	38	I	Output enable. When asserted, OE puts all outputs in a high-impedance state. A nominal 140-k Ω pullup resistor is internally integrated.
SCLOCK	25	I	I ² C serial clock input. A nominal 140-k Ω pullup resistor is internally integrated.
SDATA	24	I/O	Bidirectional I ² C serial data input/output. A nominal 140-k Ω pullup resistor is internally integrated.
GND	6, 10, 15, 19, 22, 26, 27, 30, 34, 39, 43		Ground
NC	1, 2, 47, 48		No internal connection. Reserved for future use.
V _{CC}	3, 7, 12, 16, 20, 23, 29, 33, 37, 42, 46		3.3-V power supply

I²C DEVICE ADDRESS

A7	A6	A5	A4	A3	A2	A1	A0 (R/W)
H	H	L	H	L	L	H	—

I²C BYTE 0-BIT DEFINITION[†]

BIT	DEFINITION	DEFAULT VALUE
7	2Y3 enable (pin 18)	H
6	2Y2 enable (pin 17)	H
5	2Y1 enable (pin 14)	H
4	2Y0 enable (pin 13)	H
3	1Y3 enable (pin 9)	H
2	1Y2 enable (pin 8)	H
1	1Y1 enable (pin 5)	H
0	1Y0 enable (pin 4)	H

[†] When the value of the bit is high, the output is enabled. When the value of the bit is low, the output is forced to a low state. The default value of all bits is high.

CDC318A

1-LINE TO 18-LINE CLOCK DRIVER WITH I²C CONTROL INTERFACE

SCAS614A – SEPTEMBER 1998 – REVISED JUNE 2002

I²C BYTE 1-BIT DEFINITION†

BIT	DEFINITION	DEFAULT VALUE
7	4Y3 enable (pin 45)	H
6	4Y2 enable (pin 44)	H
5	4Y1 enable (pin 41)	H
4	4Y0 enable (pin 40)	H
3	3Y3 enable (pin 36)	H
2	3Y2 enable (pin 35)	H
1	3Y1 enable (pin 32)	H
0	3Y0 enable (pin 31)	H

† When the value of the bit is high, the output is enabled. When the value of the bit is low, the output is forced to a low state. The default value of all bits is high.

I²C BYTE 2-BIT DEFINITION†

BIT	DEFINITION	DEFAULT VALUE
7	5Y1 enable (pin 28)	H
6	5Y0 enable (pin 21)	H
5	Reserved	H
4	Reserved	H
3	Reserved	H
2	Reserved	H
1	Reserved	H
0	Reserved	H

† When the value of the bit is high, the output is enabled. When the value of the bit is low, the output is forced to a low state. The default value of all bits is high.

absolute maximum ratings over operating free-air temperature range (unless otherwise noted)†

Supply voltage range, V_{CC}	-0.5 V to 4.6 V
Input voltage range, V_I (see Note 1)	-0.5 V to 4.6 V
Input voltage range, V_I (SCLOCK, SDATA) (see Note 1)	-0.5 V to 6.5 V
Output voltage range, V_O (SDATA) (see Note 1)	-0.5 V to 6.5 V
Voltage range applied to any output in the high or power-off state, V_O	-0.5 V to $V_{CC} + 0.5$ V
Current into any output in the low state (except SDATA), I_O	48 mA
Current into SDATA in the low state, I_O	12 mA
Input clamp current, I_{IK} ($V_I < 0$) (SCLOCK)	-50 mA
Output clamp current, I_{OK} ($V_O < 0$) (SDATA)	-50 mA
Package thermal impedance, θ_{JA} (see Notes 2 and 3)	84°C/W
Storage temperature range, T_{stg}	-65°C to 150°C
Lead temperature 1,6 mm (1/16 inch) from case for 10 seconds	260°C

† Stresses beyond those listed under “absolute maximum ratings” may cause permanent damage to the device. These are stress ratings only, and functional operation of the device at these or any other conditions beyond those indicated under “recommended operating conditions” is not implied. Exposure to absolute-maximum-rated conditions for extended periods may affect device reliability.

- NOTES: 1. The input and output negative-voltage ratings may be exceeded if the input and output clamp-current ratings are observed.
 2. The package thermal impedance is calculated in accordance with EIA/JEDEC Std JESD51, except for through-hole packages, which use a trace length of zero. The absolute maximum power dissipation allowed at $T_A = 55^\circ\text{C}$ (in still air) is 1.2 W.
 3. Thermal impedance (θ_{JA}) can be considerably lower if the device is soldered on the PCB board with a copper layer underneath the package. A simulation on a PCB board (3 in. \times 3 in.) with two internal copper planes (1 oz. cu, 0.036 mm thick) and 0.071 mm cu (202) in area underneath the package, resulted in $\theta_{JA} = 60^\circ\text{C/W}$. This would allow 1.2 W total power dissipation at $T_A = 70^\circ\text{C}$.

recommended operating conditions (see Note 4)

		MIN	TYP	MAX	UNIT
V_{CC}	3.3-V core supply voltage	3.135		3.465	V
V_{IH}	High-level input voltage	A, OE	2	$V_{CC} + 0.3$	V
		SDATA, SCLOCK (see Note 3)	2.2	5.5	V
V_{IL}	Low-level input voltage	A, OE	-0.3	0.8	V
		SDATA, SCLOCK (see Note 3)	0	1.04	V
I_{OH}	High-level output current			-36	mA
I_{OL}	Low-level output current			24	mA
r_i	Input resistance to V_{CC}		140		k Ω
$f(\text{SCL})$	SCLOCK frequency			100	kHz
$t(\text{BUS})$	Bus free time	4.7			μs
$t_{su}(\text{START})$	START setup time	4.7			μs
$t_h(\text{START})$	START hold time	4			μs
$t_w(\text{SCLL})$	SCLOCK low pulse duration	4.7			μs
$t_w(\text{SCLH})$	SCLOCK high pulse duration	4			μs
$t_r(\text{SDATA})$	SDATA input rise time			1000	ns
$t_f(\text{SDATA})$	SDATA input fall time			300	ns
$t_{su}(\text{SDATA})$	SDATA setup time	250			ns
$t_h(\text{SDATA})$	SDATA hold time	20			ns
$t_{su}(\text{STOP})$	STOP setup time	4			μs
T_A	Operating free-air temperature	0		70	$^\circ\text{C}$

NOTE 4: The CMOS-level inputs fall within these limits: $V_{IH} \text{ min} = 0.7 \times V_{CC}$ and $V_{IL} \text{ max} = 0.3 \times V_{CC}$.



CDC318A

1-LINE TO 18-LINE CLOCK DRIVER WITH I²C CONTROL INTERFACE

SCAS614A – SEPTEMBER 1998 – REVISED JUNE 2002

electrical characteristics over recommended operating free-air temperature range (unless otherwise noted)

PARAMETER		TEST CONDITIONS		MIN	TYP	MAX	UNIT
V _{IK}	Input clamp voltage	V _{CC} = 3.135 V, I _I = -18 mA				-1.2	V
V _{OH}	High-level output voltage	Y outputs	V _{CC} = Min to Max, I _{OH} = -1 mA	V _{CC} - 0.1 V			V
			V _{CC} = 3.135 V, I _{OH} = -36 mA	2.4			
V _{OL}	Low-level output voltage	Y outputs	V _{CC} = Min to Max, I _{OL} = 1 mA	0.1		V	
			V _{CC} = 3.135 V, I _{OL} = 24 mA	0.4			
		SDATA	V _{CC} = 3.135 V	I _{OL} = 3 mA	0.4		
				I _{OL} = 6 mA	0.6		
I _{OH}	High-level output current	SDATA	V _{CC} = 3.135 V, V _O = V _{CC} MAX	20		μA	
		Y outputs	V _{CC} = 3.135 V, V _O = 2 V	-54	-126	mA	
			V _{CC} = 3.3 V, V _O = 1.65 V	-92			
			V _{CC} = 3.465 V, V _O = 3.135 V	-21	-46		
I _{OL}	Low-level output current	Y outputs	V _{CC} = 3.135 V, V _O = 1 V	49	118	mA	
			V _{CC} = 3.3 V, V _O = 1.65 V	93			
			V _{CC} = 3.465 V, V _O = 0.4 V	24	53		
I _{IH}	High-level input current	A	V _{CC} = 3.465 V, V _I = V _{CC}	5		μA	
		OE		20			
		SCLOCK, SDATA		20			
I _{IL}	Low-level input current	A	V _{CC} = 3.465 V, V _I = GND	-5		μA	
		OE		-10	-50		
		SCLOCK, SDATA		-10	-50		
I _{OZ}	High-impedance-state output current	V _{CC} = 3.465 V, V _O = 3.465 V or 0		±10		μA	
I _{off}	Off-state current	SCLOCK, SDATA	V _{CC} = 0, V _I = 0 V to 5.5 V		50		μA
I _{CC}	Supply current	V _{CC} = 3.465 V, I _O = 0		0.2	0.5	mA	
ΔI _{CC}	Change in supply current	V _{CC} = 3.135 V to 3.465 V, One input at V _{CC} - 0.6 V, All other inputs at V _{CC} or GND		500		μA	
		Dynamic I _{CC} at 100 MHz		V _{CC} = 3.465 V, C _L = 20 pF,	230		mA
C _I	Input capacitance	V _I = V _{CC} or GND, V _{CC} = 3.3 V		4		pF	
C _O	Output capacitance	V _O = V _{CC} or GND, V _{CC} = 3.3 V		6		pF	
C _{I/O}	SDATA I/O capacitance	V _{I/O} = V _{CC} or GND, V _{CC} = 3.3 V		7		pF	

switching characteristics over recommended operating conditions

PARAMETER		FROM	TO	TEST CONDITIONS	MIN	MAX	UNIT
t _{PLH}	Low-to-high level propagation delay time	A	Y		1.2	4.5	ns
		SCLOCK↓	SDATA valid	V _{CC} = 3.3 V ±0.165 V, See Figure 3		2	μs
t _{PLH}	Low-to-high level propagation delay time	SDATA↑	Y	V _{CC} = 3.3 V ±0.165 V, See Figure 3		150	ns
t _{PHL}	High-to-low level propagation delay time	A	Y		1.2	4.5	ns
		SCLOCK↓	SDATA valid	V _{CC} = 3.3 V ±0.165 V, See Figure 3		2	μs
t _{PHL}	High-to-low level propagation delay time	SDATA↑	Y	V _{CC} = 3.3 V ±0.165 V, See Figure 3		150	ns
t _{PZH}	Enable time to the high level	OE	Y		1	7	ns
t _{PZL}	Enable time to the low level				1	7	
t _{PHZ}	Disable time from the high level	OE	Y		1	7	ns
t _{PLZ}	Disable time from the low level				1	7	
t _{sk(o)}	Skew time	A	Y			250	ps
t _{sk(p)}	Skew time	A	Y			500	ps
t _{sk(pr)}	Skew time	A	Y			1	ns
t _r	Rise time		Y		0.5	2.2	ns
t _r	Rise time (see Note 5 and Figure 3)	SDATA		C _L = 10 pF	6		ns
				C _L = 400 pF		950	
t _f	Fall time		Y		0.5	2.3	ns
t _f	Fall time (see Note 5 and Figure 3)	SDATA		C _L = 10 pF	20		ns
				C _L = 400 pF		250	

NOTE 5: This parameter has a lower limit than BUS specification. This allows use of series resistors for current spike protection.

ESD information

ESD MODELS	LIMIT
Human Body Model (HBM)	2.0 kV
Machine Model (MM)	200 V
Charge Device Model (CDM)	2.0 kV

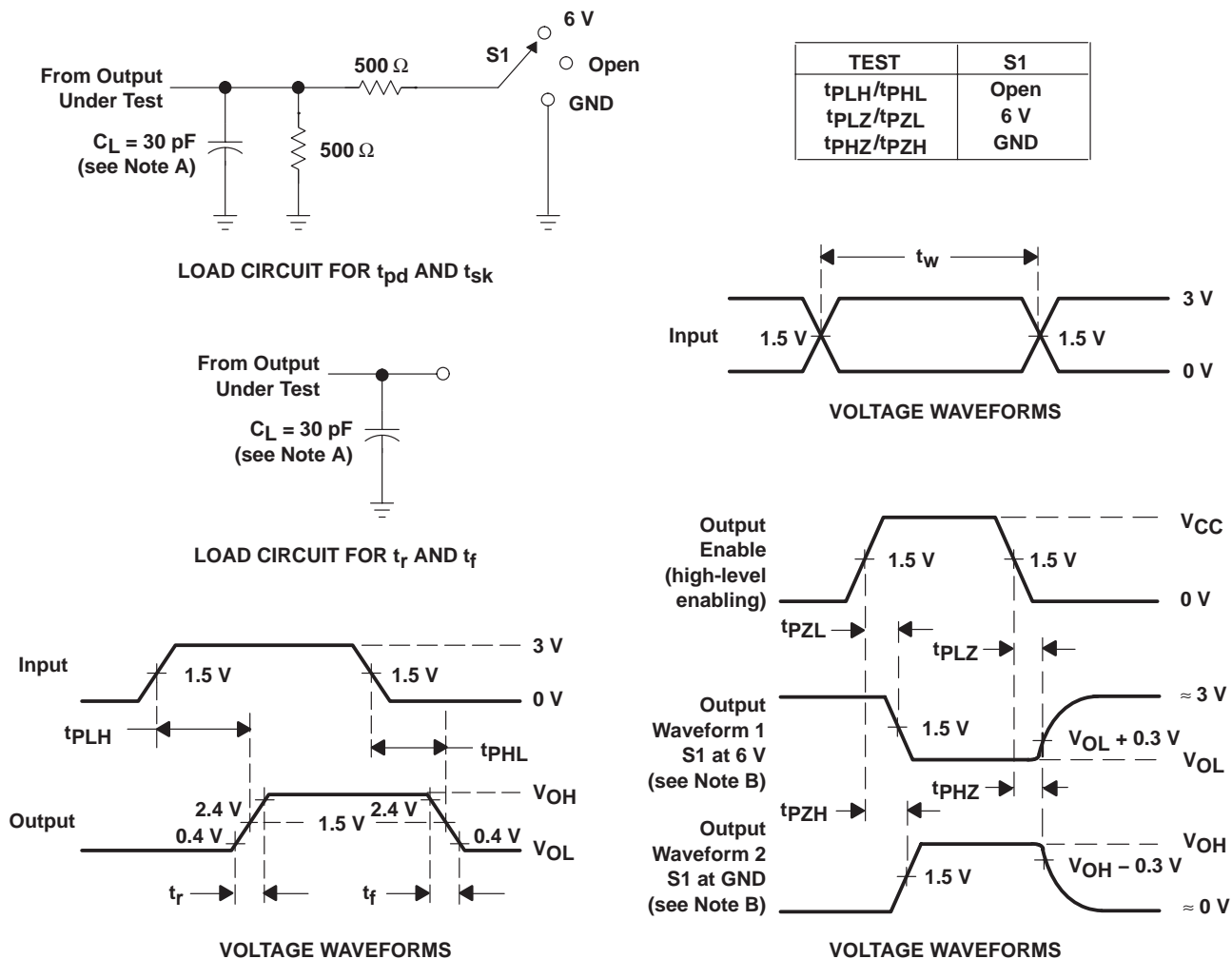
thermal information

CDC318A 48-PIN SSOP			THERMAL AIR FLOW (CFM)				UNIT
			0	150	250	500	
R _{θJA}	High K		62	56	54	51	°C/W
R _{θJA}	Low K		95	71	65	58	°C/W
R _{θJC}	High K	36					°C/W
R _{θJC}	Low K	38					°C/W

CDC318A 1-LINE TO 18-LINE CLOCK DRIVER WITH I²C CONTROL INTERFACE

SCAS614A – SEPTEMBER 1998 – REVISED JUNE 2002

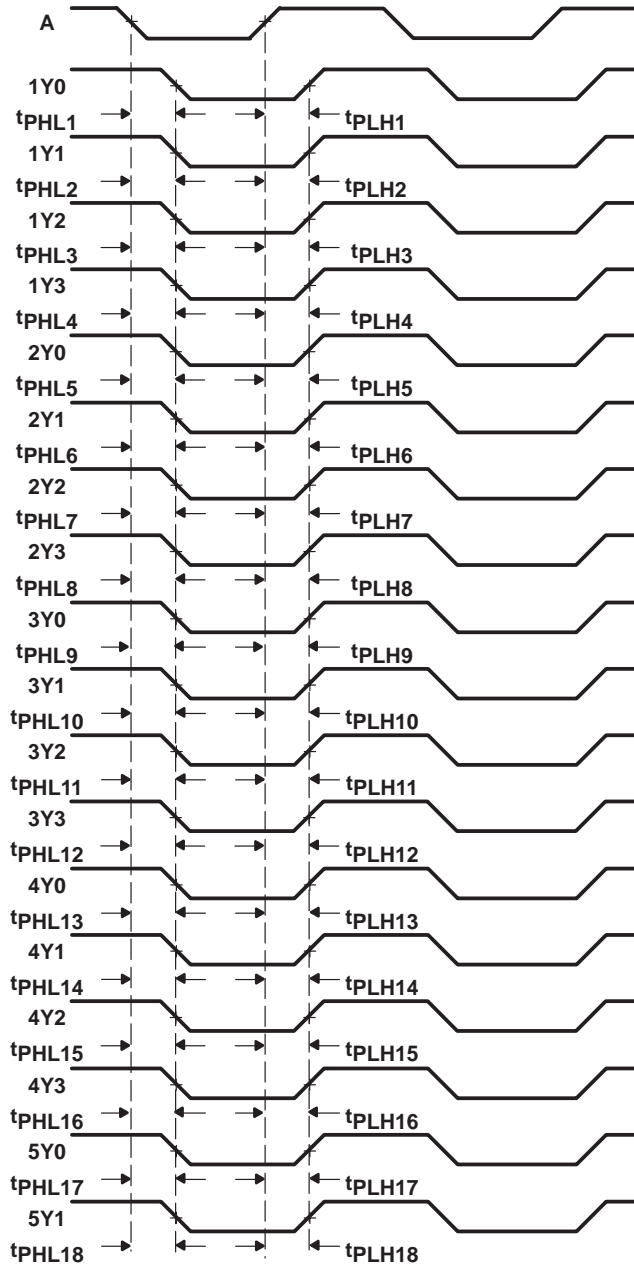
PARAMETER MEASUREMENT INFORMATION



- NOTES:
- C_L includes probe and jig capacitance.
 - Waveform 1 is for an output with internal conditions such that the output is low except when disabled by the output control. Waveform 2 is for an output with internal conditions such that the output is high except when disabled by the output control.
 - All input pulses are supplied by generators having the following characteristics: $PRR \leq 10 \text{ MHz}$, $Z_O = 50 \Omega$, $t_r \leq 2.5 \text{ ns}$, $t_f \leq 2.5 \text{ ns}$.
 - The outputs are measured one at a time with one transition per measurement.

Figure 1. Load Circuit and Voltage Waveforms

PARAMETER MEASUREMENT INFORMATION



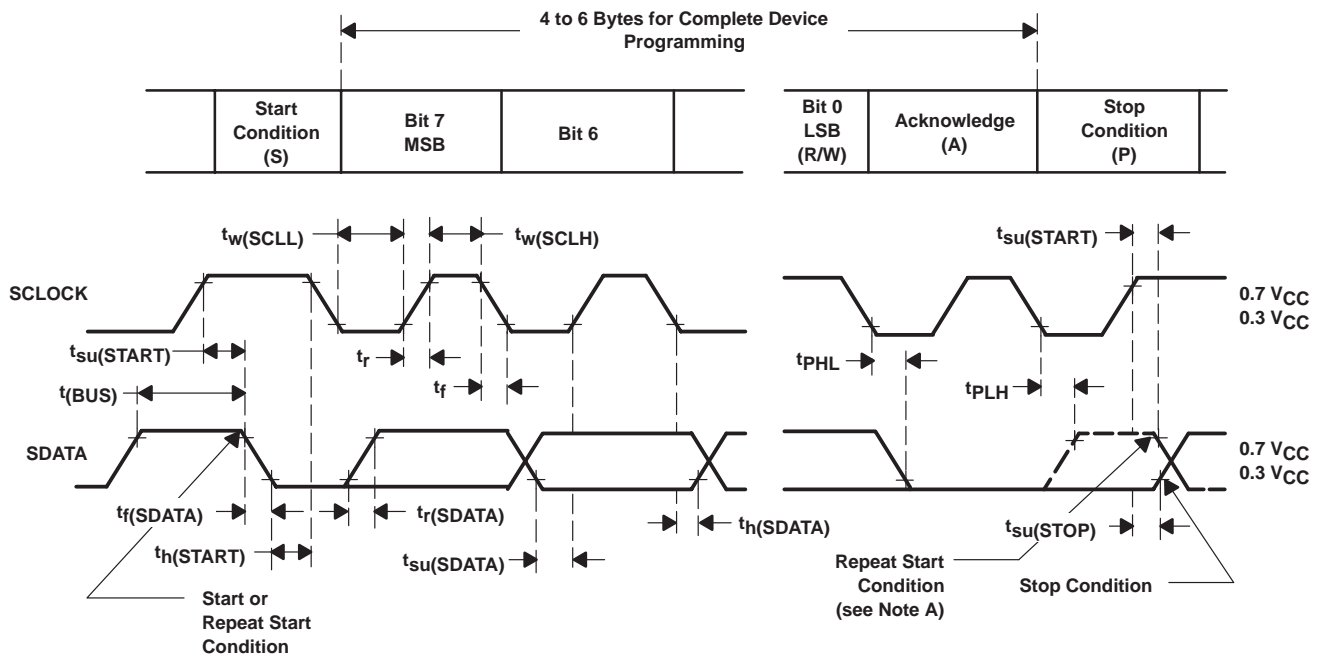
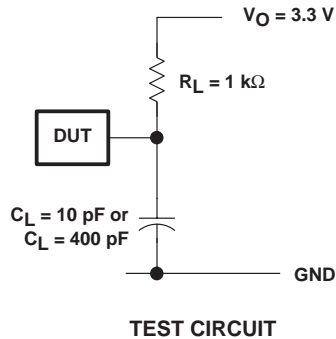
- NOTES: A. Output skew, $t_{sk(o)}$, is calculated as the greater of:
- The difference between the fastest and slowest of t_{PLHn} ($n = 1:18$)
 - The difference between the fastest and slowest of t_{PHLn} ($n = 1:18$)
- B. Pulse skew, $t_{sk(p)}$, is calculated as the greater of $|t_{PLHn} - t_{PHLn}|$ ($n = 1:18$)
- C. Process skew, $t_{sk(pr)}$, is calculated as the greater of:
- The difference between the fastest and slowest of t_{PLHn} ($n = 1:18$) across multiple devices under identical operating conditions
 - The difference between the fastest and slowest of t_{PHLn} ($n = 1:18$) across multiple devices under identical operating conditions

Figure 2. Waveforms for Calculation of $t_{sk(o)}$, $t_{sk(p)}$, $t_{sk(pr)}$

CDC318A
1-LINE TO 18-LINE CLOCK DRIVER
WITH I²C CONTROL INTERFACE

SCAS614A – SEPTEMBER 1998 – REVISED JUNE 2002

PARAMETER MEASUREMENT INFORMATION



BYTE	DESCRIPTION
1	I ² C address
2	Command (dummy value, ignored)
3	Byte count (dummy value, ignored)
4	I ² C data byte 0
5	I ² C data byte 1
6	I ² C data byte 2

NOTES: A. The repeat start condition is not supported.
 B. All input pulses are supplied by generators having the following characteristics: PRR ≤ 100 kHz, Z_O = 50 Ω, t_r ≥ 10 ns, t_f ≥ 10 ns.

Figure 3. Propagation Delay Times, t_r and t_f

IMPORTANT NOTICE

Texas Instruments Incorporated and its subsidiaries (TI) reserve the right to make corrections, modifications, enhancements, improvements, and other changes to its products and services at any time and to discontinue any product or service without notice. Customers should obtain the latest relevant information before placing orders and should verify that such information is current and complete. All products are sold subject to TI's terms and conditions of sale supplied at the time of order acknowledgment.

TI warrants performance of its hardware products to the specifications applicable at the time of sale in accordance with TI's standard warranty. Testing and other quality control techniques are used to the extent TI deems necessary to support this warranty. Except where mandated by government requirements, testing of all parameters of each product is not necessarily performed.

TI assumes no liability for applications assistance or customer product design. Customers are responsible for their products and applications using TI components. To minimize the risks associated with customer products and applications, customers should provide adequate design and operating safeguards.

TI does not warrant or represent that any license, either express or implied, is granted under any TI patent right, copyright, mask work right, or other TI intellectual property right relating to any combination, machine, or process in which TI products or services are used. Information published by TI regarding third-party products or services does not constitute a license from TI to use such products or services or a warranty or endorsement thereof. Use of such information may require a license from a third party under the patents or other intellectual property of the third party, or a license from TI under the patents or other intellectual property of TI.

Reproduction of TI information in TI data books or data sheets is permissible only if reproduction is without alteration and is accompanied by all associated warranties, conditions, limitations, and notices. Reproduction of this information with alteration is an unfair and deceptive business practice. TI is not responsible or liable for such altered documentation. Information of third parties may be subject to additional restrictions.

Resale of TI products or services with statements different from or beyond the parameters stated by TI for that product or service voids all express and any implied warranties for the associated TI product or service and is an unfair and deceptive business practice. TI is not responsible or liable for any such statements.

TI products are not authorized for use in safety-critical applications (such as life support) where a failure of the TI product would reasonably be expected to cause severe personal injury or death, unless officers of the parties have executed an agreement specifically governing such use. Buyers represent that they have all necessary expertise in the safety and regulatory ramifications of their applications, and acknowledge and agree that they are solely responsible for all legal, regulatory and safety-related requirements concerning their products and any use of TI products in such safety-critical applications, notwithstanding any applications-related information or support that may be provided by TI. Further, Buyers must fully indemnify TI and its representatives against any damages arising out of the use of TI products in such safety-critical applications.

TI products are neither designed nor intended for use in military/aerospace applications or environments unless the TI products are specifically designated by TI as military-grade or "enhanced plastic." Only products designated by TI as military-grade meet military specifications. Buyers acknowledge and agree that any such use of TI products which TI has not designated as military-grade is solely at the Buyer's risk, and that they are solely responsible for compliance with all legal and regulatory requirements in connection with such use.

TI products are neither designed nor intended for use in automotive applications or environments unless the specific TI products are designated by TI as compliant with ISO/TS 16949 requirements. Buyers acknowledge and agree that, if they use any non-designated products in automotive applications, TI will not be responsible for any failure to meet such requirements.

Following are URLs where you can obtain information on other Texas Instruments products and application solutions:

Products		Applications	
Amplifiers	amplifier.ti.com	Audio	www.ti.com/audio
Data Converters	dataconverter.ti.com	Automotive	www.ti.com/automotive
DLP® Products	www.dlp.com	Communications and Telecom	www.ti.com/communications
DSP	dsp.ti.com	Computers and Peripherals	www.ti.com/computers
Clocks and Timers	www.ti.com/clocks	Consumer Electronics	www.ti.com/consumer-apps
Interface	interface.ti.com	Energy	www.ti.com/energy
Logic	logic.ti.com	Industrial	www.ti.com/industrial
Power Mgmt	power.ti.com	Medical	www.ti.com/medical
Microcontrollers	microcontroller.ti.com	Security	www.ti.com/security
RFID	www.ti-rfid.com	Space, Avionics & Defense	www.ti.com/space-avionics-defense
RF/IF and ZigBee® Solutions	www.ti.com/lprf	Video and Imaging	www.ti.com/video
		Wireless	www.ti.com/wireless-apps

Mailing Address: Texas Instruments, Post Office Box 655303, Dallas, Texas 75265
Copyright © 2010, Texas Instruments Incorporated