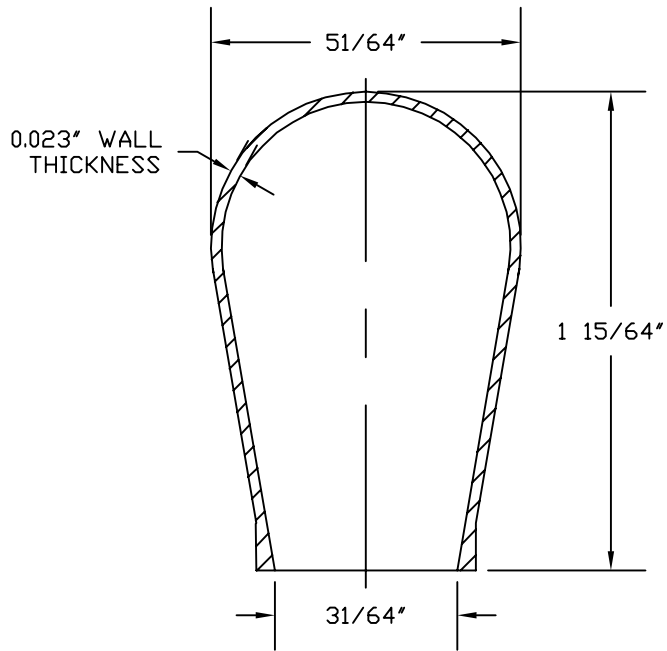
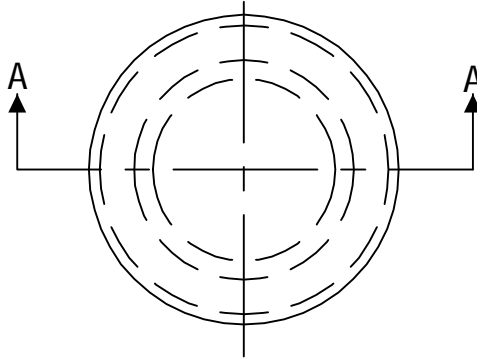


SPECIFICATIONS		
	GRADE	
<b>SILIKROME®</b>	COMMERCIAL	MILITARY
<b>Material</b>	Silicone Rubber ASTM D 1418	Silicone Rubber conforming to A-A-59588 Class II GR 50
<b>Temperature Range</b>	-112°F to +400°F (-80°C to +204°C)	-160°F to +450°F (-106°C to +260°C)
	-112°F to +575°F (-80°C to +302°C)	
<b>Shelf Life</b>	25 Years (minimum)	
<b>Resistant to</b>	Salt spray, sunlight, ozone, cleaning solutions, and most acids	
<b>Physical Characteristics</b>	Flexible, non-breakable, re-usable. Acts as shock mount. Protects against shattering. Easy to mount.	



**SECTION AA**

B	REDRAWN and MAT'L CHANGED	S. GOK	05.28.09
A	CAD COMPUTER GENERATED		01.10.03
REV.	DESCRIPTION		DATE
MAXIMUM AND MINIMUM MEASUREMENTS ARE STATED DIRECTLY ON EACH DIMENSION.	TITLE: SILIKROMES® COLORED FILTERS FOR INCANDESCENT S6 LAMPS	ENG. S. GOK	05.28.09
		DWN. N. STEIGER	04.29.64
		CHKD. J. CELLA	05.28.09
MAT'L: SEE ABOVE	APM-HEXSEAL CORPORATION	SCALE 2:1	DWG. NO. 1813/17
COLOR: SPECIFY			

THIS DRAWING COVERS PROPRIETARY ITEM AND IS THE PROPERTY OF THE APM-HEXSEAL CORPORATION. THIS DRAWING IS NOT TO BE COPIED OR USED WITHOUT THE WRITTEN APPROVAL OF AN OFFICER OF THE APM-HEXSEAL CORPORATION.