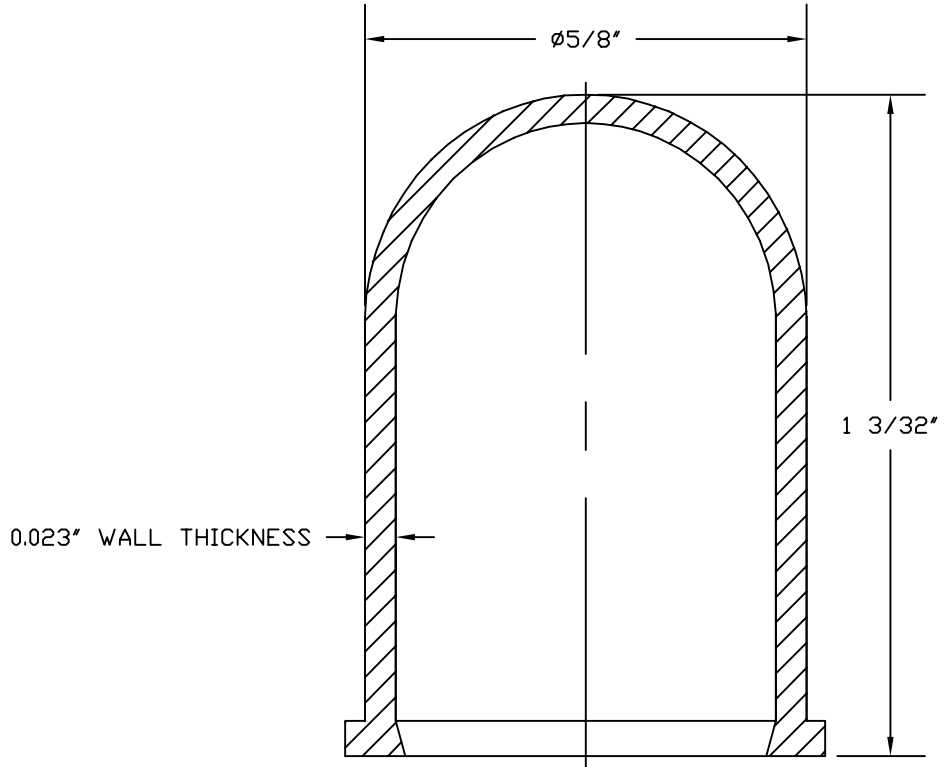
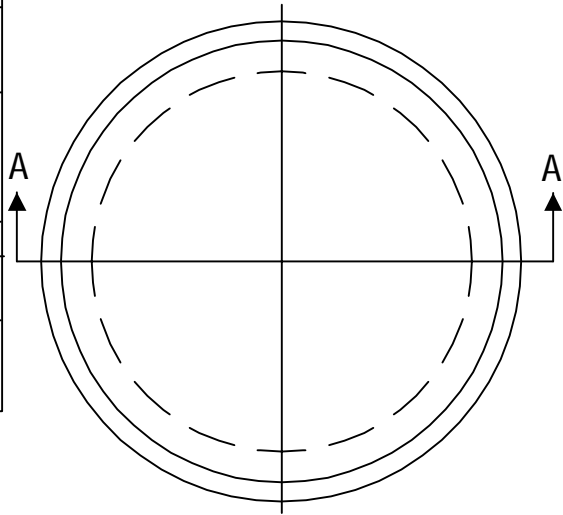


SPECIFICATIONS		
	GRADE	
SILIKROME®	COMMERCIAL	MILITARY
Material	Silicone Rubber ASTM D 1418	Silicone Rubber conforming to A-A-59588 Class II GR 50
Temperature Range	-112°F to +400°F (-80°C to +204°C)	-160°F to +450°F (-106°C to +260°C)
	-112°F to +575°F (-80°C to +302°C)	
Shelf Life	25 Years (minimum)	
Resistant to	Salt spray, sunlight, ozone, cleaning solutions, and most acids	
Physical Characteristics	Flexible, non-breakable, re-usable. Acts as shock mount. Protects against shattering. Easy to mount.	



SECTION AA

B	REDRAWN and MAT'L CHANGED	S. GOK	05.28.09
A	CAD COMPUTER GENERATED		01.10.03
REV.	DESCRIPTION		DATE
MAXIMUM AND MINIMUM MEASUREMENTS ARE STATED DIRECTLY ON EACH DIMENSION. MAT'L: SEE ABOVE	SILIKROMES® COLORED FILTERS FOR INCANDESCENT T-5 LAMPS	ENG.	S. GOK 05.28.09
		DWN.	CL 06.29.90
		CHKD.	J. CELLA 05.28.09
COLOR: SPECIFY	APM-HEXSEAL CORPORATION	SCALE 4 : 1	DWG. NO. 1813/46

THIS DRAWING COVERS PROPRIETARY ITEM AND IS THE PROPERTY OF THE APM-HEXSEAL CORPORATION.
THIS DRAWING IS NOT TO BE COPIED OR USED WITHOUT THE WRITTEN APPROVAL OF AN OFFICER OF THE APM-HEXSEAL CORPORATION.