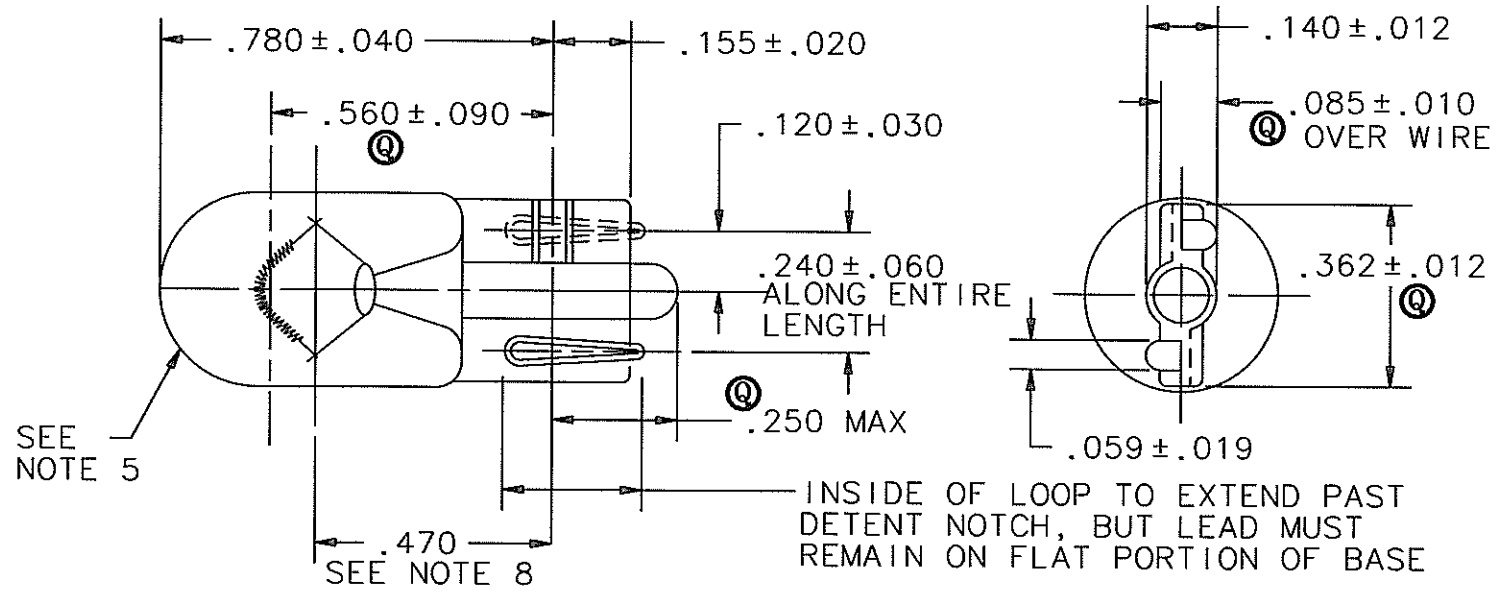
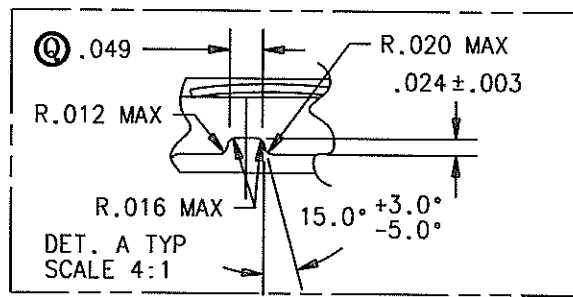
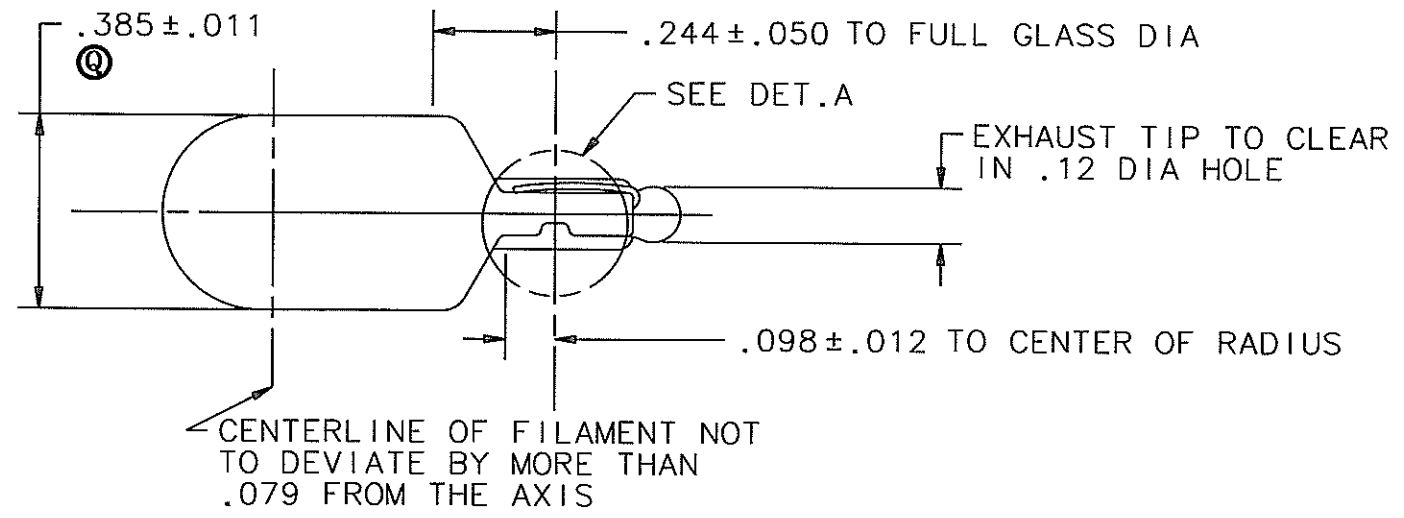


REVISIONS			
REV	ECR NO	DESCRIPTION	DATE
A	23737	NEW RELEASE	08/19/04



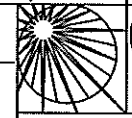
- NOTES:
- 1- ALL DIMENSIONS ARE IN INCHES
  - 2- FILAMENT SHAPE MUST BE UNIFORM, WITH COILS EVENLY SPACED AND FREE OF TWIST OR SHORTING
  - 3- LAMPS SHALL BE CLEAN WITH NO FOREIGN MATERIALS OR GLASS CHIPS INSIDE
  - 4- LAMP ENVELOPE SHALL BE CLEAR AND FREE OF BUBBLES, SCRATCHES, OR DISCOLORATION
  - 5- CLEAR GLASS PROPERLY ANNEALED, SHALL BE UNIFORM IN SHAPE AND SUBSTANTIALLY FREE OF PRISMATIC ACTION
  - 6- LAMPS SHALL BE CAPABLE OF OPERATION AND STORAGE FROM -65° TO 80°C WITHOUT DEGRADATION
  - 7- LAMPS SHALL BE PROPERLY PACKAGED IN CONTAINERS SUITABLE TO PREVENT ANY DAMAGE DURING SHIPMENT
  - 8- MFR'S IDENTIFICATION AND BULB NUMBER TO APPEAR ON THE GLASS WITHIN THIS LENGTH
  - 9- BULBS MUST COMPLY WITH SAE/USCAR-3
  - 10- PARTS TO BE LEAD FREE.

CML PART NO.	192HLF
DESIGN VOLTAGE	13.0
DESIGN AMPS	0.33 ± 10%
CANDLE POWER (APPROX.)	3.0 ± .20%
RATED LIFE HOURS	1000
FILAMENT SHAPE	C-2V

SDRC FILE NAME: B18566

DIM ARE IN INCHES		Q FOR INSPECTION USE ONLY	
		X SPC DOCUMENTATION REQ. (X R CHARTS)	
DRWN BY	DATE	PART NO	192HLF
RHW	8/19/04	MODEL NO	
CHECKED BY	DATE	MOLD NO	
74	8/20/04	MATERIAL	
ENG. APPRV.	DATE	FINISH	
H	8/20/04		
UNLESS OTHERWISE SPECIFIED TOLERANCES ON:			
+/- .015			
ANGLE +/- 5 DEG.			

THIS DWG IS THE PROPERTY OF CHICAGO MINIATURE LAMP, INC AND IS PROPRIETARY IN GENERAL AND IN DETAIL. IT SHALL NOT BE COPIED OR ITS CONTENTS REVEALED TO OUTSIDE PARTIES WITHOUT THE WRITTEN CONSENT OF CHICAGO MINIATURE LAMP, INC



**CHICAGO MINIATURE LAMP, INC.**  
147 CENTRAL AVE. HACKENSACK, NJ 07601

TITLE		T-3 1/4 WEDGE BASE LAMP	
DIST. V/S	DWG NO	REV	A
	B18566		
SCALE	3:1	SHEET	

ORIGINAL  
WHEN RED