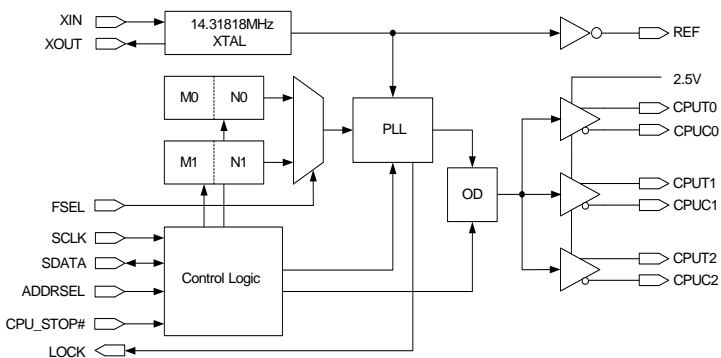


333 MHz Low-Voltage Differential SSCG

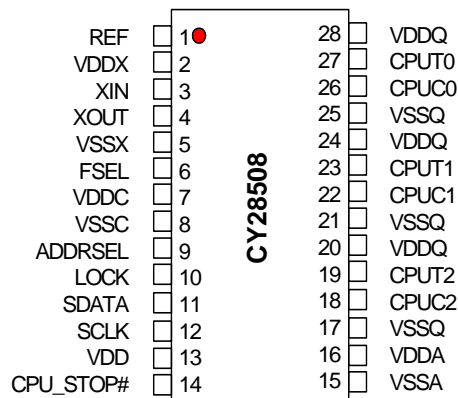
Features

- Supports HSTL-compatible differential outputs using recommended termination scheme
- Three differential pairs of clocks
- From 112.5 MHz to 225.0 MHz and from 166.6 MHz to 333.3-MHz output frequency
- One REF 14.318 MHz clock
- Dual Dial-a-Frequency[®] programmable registers
- Smooth-Track[™] frequency target slew rates as low as 100 KHz/usec in /2 mode and 70 KHz/usec in /3 mode
- Cypress Spread Spectrum for best electromagnetic interference (EMI) reduction
- Four center-spread settings
- I²C register programmable options
- Two selectable I²C addresses
- Block and byte mode I²C operation
- 3.3V core operation
- 2.5V output operation
- 28-pin SSOP package

Block Diagram



Pin Configuration



Pin Description ^[1]

Pin	Name	Type	Power	Description
1	REF	O	VDDX	Reference Clock. 3.3V 14.318-Mz clock output.
3	XIN	I	VDDX	Crystal Connection or External Reference Frequency Input. This pin has dual functions. It can be used as an external 14.318-MHz crystal connection or as an external reference frequency input.
4	XOUT	O	VDDX	Crystal Connection. Connection for an external 14.318-MHz crystal output.
27, 23, 19	CPUT[0:2]	O	VDDQ	CPUT Clock Outputs: Differential True CPU clock outputs.
26, 22, 18	CPUC[0:2]	O	VDDQ	CPUC Clock Outputs: Differential Complementary CPU clock outputs.
6	FSEL	I, PU 250K Ω	VDD	3.3V LVTTTL input for CPU frequency selection. 0 = M&N register set 0, 1 = M&N register set 1.
11	SDATA	I/O	VDD	I²C-compatible SDATA.
12	SCLK	I	VDD	I²C-compatible SLOCK.
14	CPU_STOP#	I, PU 250K Ω	VDD	CPU stop. 1 = CPUT/C running, 0 = CPUT stopped synchronously low and CPUC stopped synchronously high. REF remains running.
9	ADDRSEL	I, PD 250K Ω	VDD	I²C address selection. 0 = D2, 1 = D4.
10	LOCK	Open Drain	VDD	It is recommended that an external 10KΩ resistor is connected to this pin. With this resistor, 1 = Signifies the VCO has locked onto the target frequency. 0 = Not locked to the designated M&N register pair target frequency.
16	VDDA	PWR		3.3V power supply for analog PLL.
15	VSSA	GND		Ground for analog PLL.
28, 24, 20	VDDQ	PWR		2.5V power supply for output buffers.
25, 21, 17	VSSQ	GND		Ground for output buffers.
2	VDDX	PWR		3.3V power supply for oscillator.
5	VSSX	GND		Ground for oscillator.
7	VDDC	PWR		3.3V power supply for core.
8	VSSC	GND		Ground for core.
13	VDD	PWR		3.3V power supply.

Serial Data Interface

To enhance the flexibility and function of the clock synthesizer, a two-signal serial interface is provided. Through the Serial Data Interface, various device functions such as individual clock output buffers, can be individually enabled or disabled. The registers associated with the Serial Data Interface initialize to their default setting upon power-up, and therefore use of this interface is optional.

Data Protocol

The clock driver serial protocol accepts byte write, byte read, block write, and block read operations from the controller. For block write/read operation, the bytes must be accessed in sequential order from lowest to highest byte (most significant bit first) with the ability to stop after any complete byte has been transferred. For byte write and byte read operations, the system controller can access individual indexed bytes. The offset of the indexed byte is encoded in the command code, as described in *Table 1*. The block write and block read protocol is outlined in *Table 2* while *Table 3* outlines the corresponding byte write and byte read protocol. The Byte Count value returned is 09h.

The slave receiver address is either D2 or D4, depending on the state of the ADDRSEL pin.

Note:

1. Throughout this document logic 0 and logic 1 state signals are referenced. As a clarification it should be understood that 1 = high and 0 = low voltage levels. These levels are defined in the DC Electrical Specifications of this data sheet.

Table 1. Command Code Definition

Bit	Description
7	0 = Block read or block write operation 1 = Byte read or byte write operation
(6:0)	Byte offset for byte read or byte write operation. For block read or block write operations, these bits should be '0000000'

Table 2. Block Read and Block Write Protocol

Block Write Protocol		Block Read Protocol	
Bit	Description	Bit	Description
1	Start	1	Start
2:8	Slave address – 7 bits	2:8	Slave address – 7 bits
9	Write = 0	9	Write = 0
10	Acknowledge from slave	10	Acknowledge from slave
11:18	Command Code – 8 bits '00000000' stands for block operation	11:18	Command Code – 8 bits '00000000' stands for block operation
19	Acknowledge from slave	19	Acknowledge from slave
20:27	Byte Count from master – 8 bits	20	Repeat start
28	Acknowledge from slave	21:27	Slave address – 7 bits
29:36	Data byte 0 from master – 8 bits	28	Read = 1
37	Acknowledge from slave	29	Acknowledge from slave
38:45	Data byte 1 from master – 8 bits	30:37	Byte count from slave – 8 bits
46	Acknowledge from slave	38	Acknowledge
....	Data bytes from master/Acknowledge	39:46	Data byte 0 from slave – 8 bits
....	Data Byte N – 8 bits	47	Acknowledge
....	Acknowledge from slave	48:55	Data byte 1 from slave – 8 bits
....	Stop	56	Acknowledge
		Data bytes from slave/Acknowledge
		Data byte N from slave – 8 bits
		Not Acknowledge
		Stop

Table 3. Byte Read and Byte Write Protocol

Byte Write Protocol		Byte Read Protocol	
Bit	Description	Bit	Description
1	Start	1	Start
2:8	Slave address – 7 bits	2:8	Slave address – 7 bits
9	Write = 0	9	Write = 0
10	Acknowledge from slave	10	Acknowledge from slave
11:18	Command Code – 8 bits '1xxxxxxx' stands for byte operation, bits[6:0] of the command code represents the offset of the byte to be accessed	11:18	Command Code – 8 bits '1xxxxxxx' stands for byte operation, bits[6:0] of the command code represents the offset of the byte to be accessed
19	Acknowledge from slave	19	Acknowledge from slave
20:27	Data byte from master – 8 bits	20	Repeat start
28	Acknowledge from slave	21:27	Slave address – 7 bits
29	Stop	28	Read = 1
		29	Acknowledge from slave
		30:37	Data byte from slave – 8 bits
		38	Not Acknowledge
		39	Stop



Serial Control Registers

Byte 0 : CPU Control Register

Bit	@Pup	Name	Description
7	HW	LOCK	Lock Detect: 0 = not at final frequency, 1 = VCO locked (read-only).
6	0	SS_ENABLE	0 = disabled, 1 = enabled.
5	0	SST1	Select spread percentage 1. See Table 4
4	1	SST0	Select spread percentage 0. See Table 4
3	1	REF	REF Output Enable 0 = Disabled (three-stated), 1 = Enabled
2	1	CPUT/C2	CPU2 Output Enable 0 = Disabled (three-stated), 1 = Enabled
1	1	CPUT/C1	CPU1 Output Enable 0 = Disabled (three-stated), 1 = Enabled
0	1	CPUT/C0	CPU0 Output Enable 0 = Disabled (three-stated), 1 = Enabled

Table 4. Spread Spectrum Table

SST1	SST0	% Spread
0	0	±0.125% Center spread Lexmark™ profile
0	1	±0.25% Center spread Lexmark profile
1	0	±0.5% Center spread Lexmark profile
1	1	±0.5% Center spread Linear profile

Glitch-free operation for both enabling and disabling Spread Spectrum. To achieve down spread operation, reprogram the N register to drop the frequency by half the spread amount.

Byte 1: Dial-a-Frequency Control Register N0 [default = 112.35 MHz, N = 43d, ODSEL = 1]

Bit	@Pup	Description
7	0	Test Mode: 0 = normal operation, 1 = phase-locked loop (PLL) bypass mode, when OD = 3 then /3, when OD = 2 then /2.
6	0	N6, most significant bit (MSB).
5	1	N5
4	0	N4
3	1	N3
2	0	N2
1	1	N1
0	1	N0, least significant bit (LSB).

Byte 2: Dial-a-Frequency Control Register M0 [default = 112.35MHz, M = 49d, ODSEL = 1]

Bit	@Pup	Description
7	0	The charge pump current value during Smooth-Track can be programmed to normal mode (2xICP) by setting this bit to "1." The default value of "0" (1xICP) will program the charge pump current to half of normal and will reduce the bandwidth and hence the slew rate.
6	Pin 6	FSEL operational status, whether HW or SW. 0 = M&N0, 1 = M&N1 (read only).
5	1	M5 MSB
4	1	M4
3	0	M3
2	0	M2
1	0	M1
0	1	M0, LSB

Byte 3: Dial-a-Frequency Control Register N1 [default = 224.70 MHz, N = 86d, ODSEL = 1]

Bit	@Pup	Description
7	0	Reserved, set = 0.
6	1	N6, MSB
5	0	N5
4	1	N4
3	0	N3
2	1	N2
1	1	N1
0	0	N0, LSB

Byte 4: Dial-a-Frequency Control Register M1 [default = 224.70 MHz, M = 49d, ODSEL = 1]

Bit	@Pup	Description
7	1	Reserved, set = 1.
6	1	SWODSEL: Output divider select. 0 = /2, 1 = /3. Changing the output divider causes large instantaneous changes in the CPU pulse width and should only be changed before system operation is to occur.
5	1	M5 MSB.
4	1	M4
3	0	M3
2	0	M2
1	0	M1
0	1	M0, LSB.

Byte 5: Dial-a-Frequency Control Register N2 – Only Bit 7 is Used by the CY28508

Bit	@Pup	Description
7	0	UP/DN pulse width limit. During Smooth-Track, the bandwidth hence the slew rate is controlled through limiting the pulse width of the UP/DN pulse outputs of the phase detector going to the charge pump. The default is 0 = 20 ns and can be programmed to 1 = 40 ns, which will increase the slew rate.
6	0	Reserved, set = 0.
5	1	Reserved, set = 1.
4	1	Reserved, set = 1.
3	0	Reserved, set = 0.
2	0	Reserved, set = 0.
1	0	Reserved, set = 0.
0	0	Reserved, set = 0.

Byte 6: Dial-a-Frequency Control Register M2 – Only Bits 6 and 7 are Used by the CY28508

Bit	@Pup	Description
7	1	FSEL Control: 1 = HW FSEL, 0 = SW FSEL
6	1	SW FSEL: 0 = SW MN0 select, 1 = SW MN1 select. Only valid when B6b7 = 0.
5	1	Reserved, set = 1.
4	1	Reserved, set = 1.
3	0	Reserved, set = 0.
2	0	Reserved, set = 0.
1	0	Reserved, set = 0.
0	0	Reserved, set = 0.

Byte 7: Dial-a-Frequency Control Register N3 - Only bit 7 is used by the CY28508

Bit	@Pup	Description
7	1	Ns Setting. Ns is the total step time index during Smooth-Track for each increment or decrement during Smooth-Track. The default is 1 = 2048 and if you program a 0 = 1024, the step time will be half of this value.
6	1	Reserved, set = 0.
5	0	Reserved, set = 1.
4	0	Reserved, set = 1.
3	0	Reserved, set = 0.
2	0	Reserved, set = 0.
1	0	Reserved, set = 0.
0	0	Reserved, set = 0.

Byte 8: Dial-a-Frequency Control Register M3, Only bit 7 is used by the CY28508

Bit	@Pup	Description
7	1	ICP Tracking. In the default mode (= 1) the ICP current increases and the VCO frequency increase to maintain constant bandwidth. If you program a "0," then the ICP current will stay constant.
6	0	Reserved, set = 0.
5	1	Reserved, set = 1.
4	1	Reserved, set = 1.
3	0	Reserved, set = 0.
2	0	Reserved, set = 0.
1	0	Reserved, set = 0.
0	0	Reserved, set = 0.

Dial-a-Frequency Feature

Dial-a-frequency gives the designer direct access to the reference divider (M) and the feedback divider (N) of the internal PLL.

$$VCO = (XTAL \times 26.823) \times (N / M).$$

Output Frequency = VCO/Output Divider.

The VCO operating range is between 333 MHz and 675 MHz.

The user must not program N and M values that would result in a VCO frequency outside of this specified range.

Hardware Switching of Dial-a-Frequency Registers

The architectural design of the HW Smooth-Track feature allows the system designer to configure two DAF registers that are selected via an FSEL input pin to select the desired final frequency. This slew rate control is defined as Smooth-Track and is used for all frequency change values programmed into the two DAF registers. There exists a LOCK output signal, which will activate when the final frequency is achieved by the VCO. For Ns = 2048 and M = 48, each step takes 492 μs such that to increment 40 steps would take 19.7 ms.

Spread Spectrum Modulation Rate

$$F_{modulation} (KHz) = 1500.25/M.$$

The profile of the modulation is tuned for M = 48, such that deviations from this value could affect the Lexmark profile.

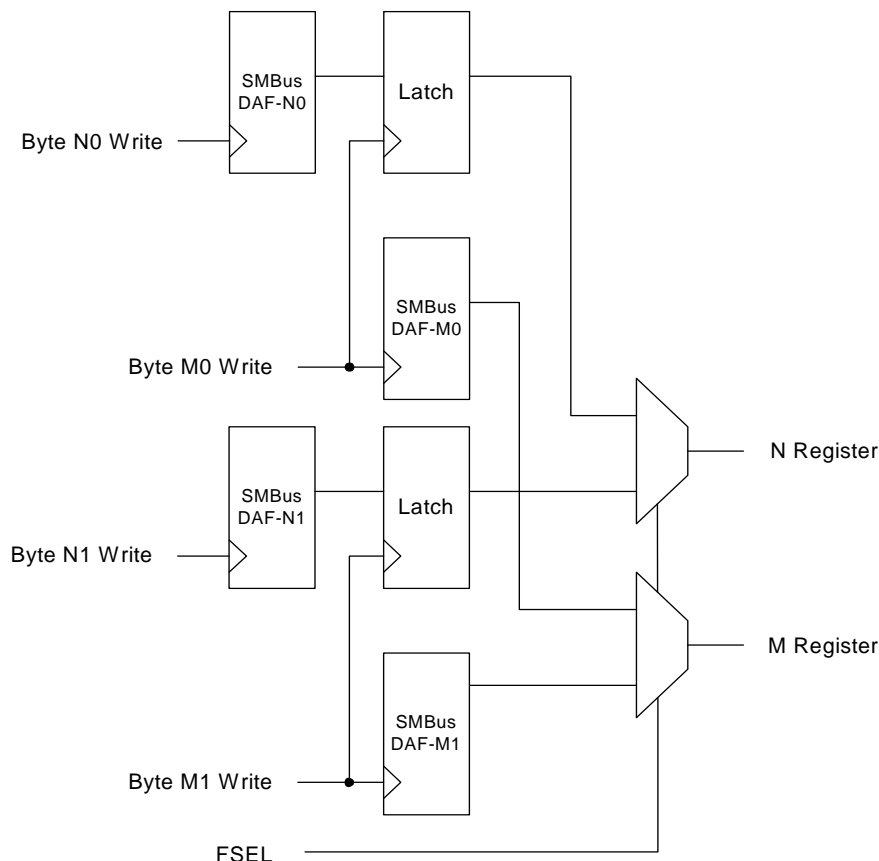


Figure 1. Dial-a-Frequency Register Switching and Synchronizer Circuitry

This circuitry is designed to present simultaneous M&N values to the VCO when writing to the I²C lines. If not for this delay in writing the N register value, the VCO would use a new N value and an old M value and would go to an indeterminate frequency until the next I²C byte was written.

configuration using the two trim capacitors. An important clarification for the following discussion is that the trim capacitors are in series with the crystal not parallel. It's a common misconception that load capacitors are in parallel with the crystal and should be approximately equal to the load capacitance of the crystal.

Crystal Recommendations

The CY28508 requires a **Parallel Resonance Crystal**. Substituting a series resonance crystal will cause the CY28508 to operate at the wrong frequency and violate the ppm specification. For most applications there is a 300-ppm frequency shift between series and parallel crystals due to incorrect loading.

Crystal Loading

Crystal loading plays a critical role in achieving low ppm performance. To realize low ppm performance, the total capacitance the crystal will see must be considered to calculate the appropriate capacitive loading (CL). *Figure 2* shows a typical crystal

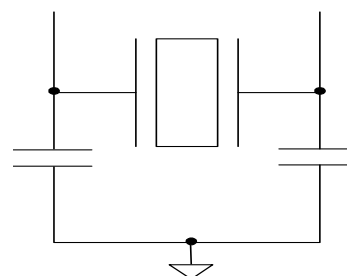


Figure 2. Crystal Capacitive Clarification

Table 5. Crystal Recommendations

Frequency (Fund)	Cut	Loading	Load Cap	Drive (max.)	Shunt Cap (max.)	Motional (max.)	Tolerance (max.)	Stability (max.)	Aging (max.)
14.31818 MHz	AT	Parallel	20 pF	0.1 mW	5 pF	0.016 pF	50 ppm	50 ppm	5 ppm

Calculating Load Capacitors

In addition to the standard external trim capacitors, trace capacitance and pin capacitance must also be considered to correctly calculate crystal loading. As mentioned previously, the capacitance on each side of the crystal is in series with the crystal. This means the total capacitance on each side of the crystal must be twice the specified crystal load capacitance (CL). While the capacitance on each side of the crystal is in series with the crystal, trim capacitors (Ce1,Ce2) should be calculated to provide equal capacitive loading on both sides.

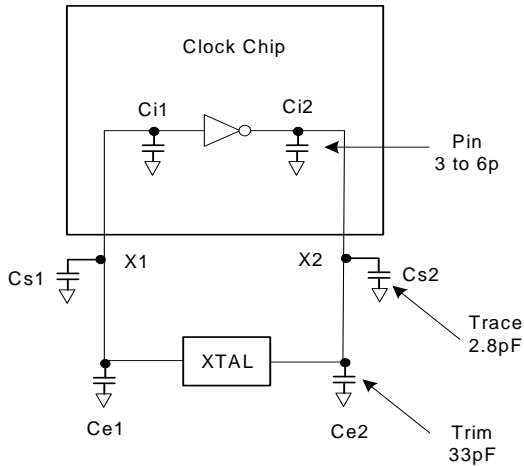


Figure 3. Crystal Loading Example

As mentioned previously, the capacitance on each side of the crystal is in series with the crystal. This mean the total capacitance on each side of the crystal must be twice the specified load capacitance (CL). While the capacitance on each side of the crystal is in series with the crystal, trim capacitors (Ce1,

Ce2) should be calculated to provide equal capacitive loading on both sides.

Use the following formulas to calculate the trim capacitor values for Ce1 and Ce2.

Load Capacitance (each side)

$$C_e = 2 * CL - (C_s + C_i)$$

Total Capacitance (as seen by the crystal)

$$CL_e = \frac{1}{\left(\frac{1}{C_{e1} + C_{s1} + C_{i1}} + \frac{1}{C_{e2} + C_{s2} + C_{i2}} \right)}$$

- CL.....Crystal load capacitance
- CLe..... Actual loading seen by crystal using standard value trim capacitors
- Ce..... External trim capacitors
- Cs..... Stray capacitance (trace, etc.)
- Ci Internal capacitance (lead frame, bond wires, etc.)

CPU_STOP# Clarification

The CPU_STOP# signal is an active LOW input used for synchronous stopping and starting of the CPU output clocks while the rest of the clock generator continues to function. The REF output is not affected by the CPU_STOP# signal.

CPU_STOP# Assertion

When CPU_STOP# pin is asserted, all CPUT/C outputs will be stopped after being sampled by two rising edges of the CPUT clocks. The final state of the stopped CPU signals is CPUT = LOW and CPU0C = HIGH.

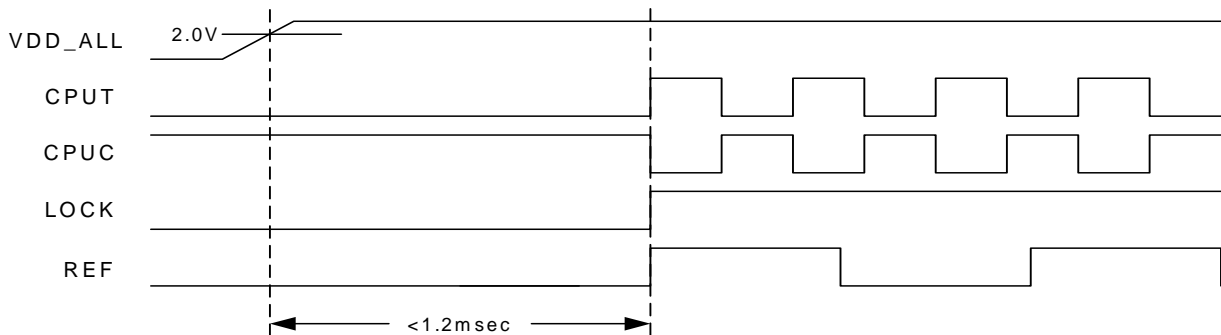


Figure 4. Power-up Signal Timing

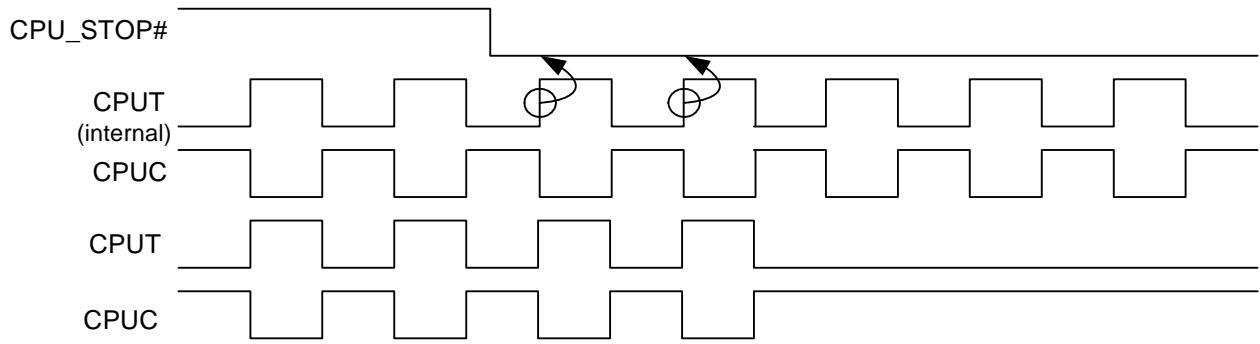


Figure 5. CPU_STOP# Assertion Waveform

CPU_STOP# Deassertion

The deassertion of the CPU_STOP# signal will cause all CPU_T/C outputs that were stopped to resume normal operation in a synchronous manner. Synchronous manner meaning that no short or stretched clock pulses will be produced when the clock resumes. The maximum latency from the deassertion to active outputs is no more than two CPUC clock cycles.

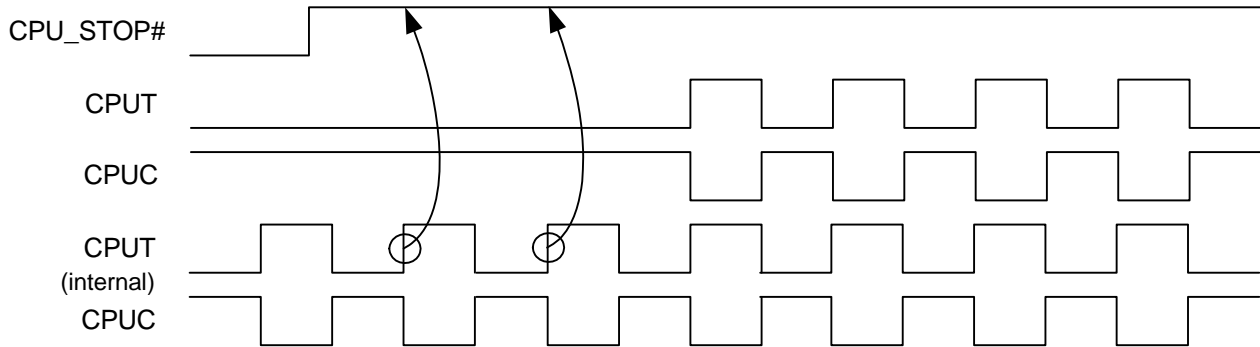


Figure 6. CPU_STOP# Deassertion Waveform

Absolute Maximum Conditions^[2]

Parameter	Description	Condition	Min.	Max.	Unit
$V_{DD}, V_{DDC}, V_{DDA}, V_{DDX}$	3.3V Supply Voltage	Maximum functional voltage	-0.5	5.5	V
V_{DDQ}	Analog Supply Voltage	Maximum functional voltage	-0.5	5.5	V
V_{IN}	Input Voltage	Relative to V_{SS}	-0.5	$V_{DD} + 0.5$	V
T_S	Temperature, Storage	Non-functional	-65	150	°C
T_A	Temperature, Operating Ambient	Functional	0	70	°C
T_J	Temperature, Junction	Functional		150	°C
ESD_{HBM}	ESD Protection (Human Body Model)	MIL-STD-883, Method 3015	2000	-	V
θ_{JC}	Dissipation, Junction to Case	Mil-Spec 883E Method 1012.1	42		°C/W
θ_{JA}	Dissipation, Junction to Ambient	JEDEC (JESD 51)	118		°C/W
UL-94	Flammability Rating	At 1/8 in.	V-0		
MSL	Moisture Sensitivity Level		1		

DC Electrical Specifications

Parameter	Description	Condition	Min.	Typ.	Max.	Unit
$V_{DD}, V_{DDA}, V_{DDX}, V_{DDC}$	3.3 Operating Voltage	$3.3 \pm 5\%$	3.135	3.300	3.465	V
V_{DDQ}	2.5 Operating Voltage	$2.5 \pm 5\%$	2.375	2.500	2.625	V
V_{IL}	Input Low Voltage	V_{IL} for all inputs except XIN			1.0	Vdc
V_{IH}	Input High Voltage	V_{IH} for all inputs except XIN	2.0			Vdc
I_{ILC}	Input Leakage Current	Except for internal pull-up or pull-down resistors	-5		5	µA
I_{IL}	Input Low Current (@ $V_{IL} = V_{SS}$)	For internal pull-up resistors	9			µA
I_{IH}	Input High Current (@ $V_{IL} = V_{DD}$)	For internal pull-down resistors	-9			µA
I_{OL2C}	I ² C Sink Current					mA
V_{OL}	Output Low Voltage	REF output			0.4	Vdc
V_{OH}	Output High Voltage	REF output	2.4			Vdc
V_{OLC}	Output Low Voltage CPU	At load measurement point with recommended termination. See Figure 7.	0.0		0.4	Vdc
V_{OHC}	Output High Voltage CPU	At load measurement point with recommended termination. See Figure 7.	0.6		1.6	Vdc
V_{XIH}	Xin High Voltage		$0.7V_{DDX}$		V_{DDX}	V
V_{XIL}	Xin Low Voltage		0		$0.3V_{DDX}$	V
I_{OZ}	Three-state leakage Current				10	µA
C_{IN}	Input Pin Capacitance	For all pins including XIN			5	pF
C_{OUT}	Output Pin Capacitance				6	pF
L_{IN}	Input Pin Inductance				7	nH
Z_{OUT}	Output Impedance of CPU Clock	Both rising and falling		18		Ω
I_{DD3A}	Power supply current for all 3.3V VDDs with all three buffers enabled and loaded	Output is 224.7 MHz with VCO running 666.6 MHz		80	100	mA
I_{DD3B}	Power supply current for all 3.3V VDDs with VDDs with two buffers enabled and loaded	Output is 224.7 MHz with VCO running 666.6 MHz		78	100	mA
I_{DD3C}	Power supply current for all 3.3V VDDs with one buffer enabled and loaded	Output is 224.7 MHz with VCO running 666.6 MHz		77	100	mA

Note:

2. Multiple Sequence: The voltage on any input or I/O pin cannot exceed the power pin during power-up. Power supply sequencing is NOT required.



DC Electrical Specifications (continued)

Parameter	Description	Condition	Min.	Typ.	Max.	Unit
I _{DDR}	Power supply additional current for all 3.3V VDDs for loaded REF only	Output is 14.31818 MHz with VCO running 666.6 MHz		8	10	mA
I _{DD2A}	Power supply current for all 2.5V VDDs with three buffers enabled and loaded	Output is 224.7 MHz with VCO running 666.6 MHz		180	225	mA
I _{DD2B}	Power supply current for all 2.5V VDDs with two buffers enabled and loaded	Output is 224.7 MHz with VCO running 666.6 MHz		124	155	mA
I _{DD2C}	Power supply current for all 2.5V VDDs with one buffer enabled and loaded	Output is 224.7 MHz with VCO running 666.6 MHz		70	90	mA
I _{DD2D}	Power supply current for all 2.5V VDDs with all buffers disabled	Output is 224.7 MHz with VCO running 666.6 MHz		7	10	mA

AC Electrical Specifications

Parameter	Description	Condition	Min.	Typ.	Max.	Unit
Crystal						
T _{DC}	Xin Duty Cycle	Measured at V _{DDX} /2	45		55	%
T _{PERIOD}	Xin Period	Measured at V _{DDX} /2. The VCO frequency must remain within its operating range.	52.4	69.841	87.3	ns
REF Output						
T _{DC}	REF Duty Cycle	Measured at 1.5V, 15-pF lumped load.	45	50	55	%
T _{RISE} /T _{FALL}	REF Rise and Fall Times	Measured from 0.4V to 2.4V, 15-pF lumped load.	1		4	ns
T _{CCJ}	REF Cycle to Cycle Jitter	Measured at 1.5V, 15-pF lumped load.			1000	ps
LOCK Output						
T _{FALL}	Lock Fall Time	Measured from 2.4V to 0.4V, 10-pF lumped load and 10KΩ pull-up.	0.5		2	ns
CPU Outputs						
T _{DC}	CPUT/C Duty Cycle	Measured at 0.62V at measuring point. See <i>Figure 7</i> .	45	50	55	%
T _{RISE} /T _{FALL}	CPUT/C Rise and Fall Times	Measured from 0.3V to 0.9V. See <i>Figure 7</i> .	150		500	ps
T _{SKEW}	CPUT/C to CPUT/C Clock Skew	Measured at 0.62V at measuring point. See <i>Figure 7</i> .			100	ps
T _{CCJ}	CPUT/C Cycle to Cycle Jitter	Measured at 0.62V at measuring point. See <i>Figure 7</i> .			135	ps
V _{DIF}	Differential Voltage Swing	At load measuring point. See <i>Figures 7 and 8</i> .		1.24	1.5	
V _{OX}	Crossing Point Voltage	At load measuring point. See <i>Figures 7 and 8</i> .	0.4	0.62	0.9	V
F _{VCO}	VCO Operating Frequency	Over voltage, temperature and process	333		675	MHz
T _{XS}	Power-on Hold Off	Outputs will be as shown in <i>Figure 6</i>			1.2	ms

Table 6. Slew Rate Settings Output Divider = /3 (Measured over 10 μs)

M	N Range	Typ. Max. Slew Rate (kHz/μs)	Worst-Corner Max Slew Rate (kHz/μs)	ICP B2b7	Ns B7b7	Variable ICP B8b7
49	43-65	55	100	x1	2048	1
49	65-86	75	140	x1	2048 or 1024	1
49	43-86	45	70	x1	2048	0

Table 7. Slew Rate Settings Output Divider = /2 (Measured over 10 μs)

M	N Range	Typ. Max. Slew Rate (kHz/μs)	Worst-Corner Max Slew Rate (kHz/μs)	ICP B2b7	Ns B7b7	Variable ICP B8b7
49	43-65	80	150	x1	2048	1
49	65-86	120	200	x1	2048 or 1024	1
49	43-86	65	100	x1	2048	0

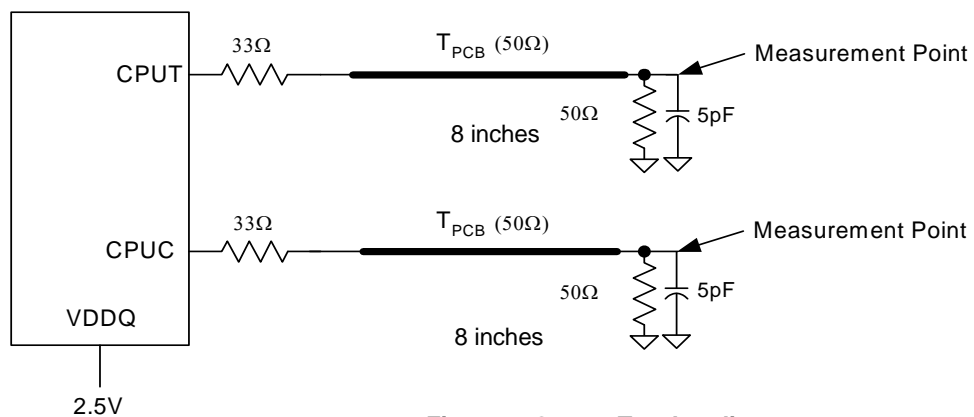


Figure 7. Output Test Loading

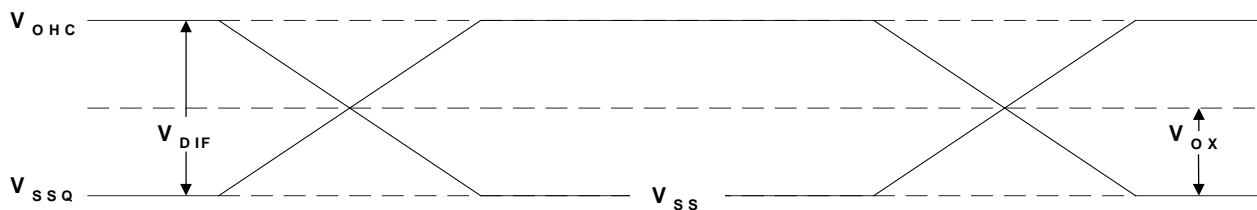


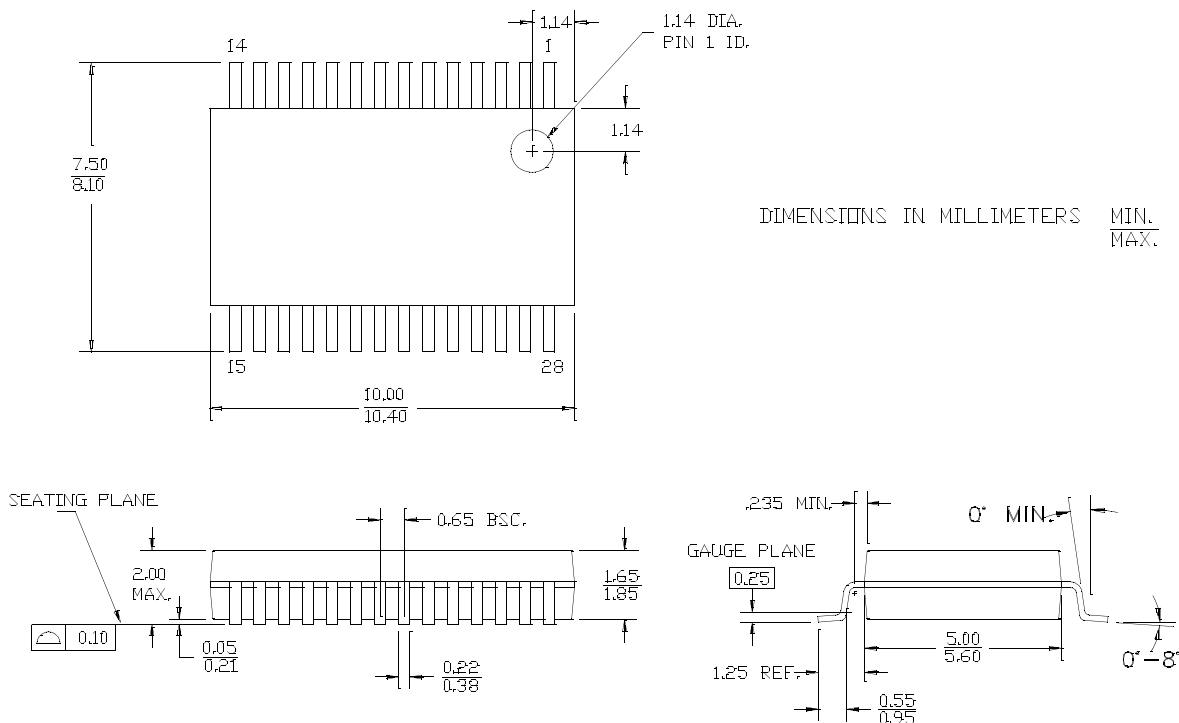
Figure 8. CPU Signaling

Ordering Information

Part Number	Package Type	Product Flow
CY28508OC	28-pin SSOP	Commercial, 0° to 70°C
CY28508OCT	28-pin SSOP – Tape and Reel	Commercial, 0° to 70°C
Lead- Free		
CY28508OXC	28-pin SSOP	Commercial, 0° to 70°C
CY28508OCXT	28-pin SSOP – Tape and Reel	Commercial, 0° to 70°C

Package Drawing and Dimensions

28-lead (5.3 mm) Shrunken Small Outline Package O28



The information in this document is believed to be accurate in all respects at the time of publication but is subject to change without notice. Silicon Laboratories assumes no responsibility for errors and omissions, and disclaims responsibility for any consequences resulting from the use of information included herein. Additionally, Silicon Laboratories assumes no responsibility for the functioning of undescribed features or parameters. Silicon Laboratories reserves the right to make changes without further notice. Silicon Laboratories makes no warranty, representation or guarantee regarding the suitability of its products for any particular purpose, nor does Silicon Laboratories assume any liability arising out of the application or use of any product or circuit, and specifically disclaims any and all liability, including without limitation consequential or incidental damages. Silicon Laboratories products are not designed, intended, or authorized for use in applications intended to support or sustain life, or for any other application in which the failure of the Silicon Laboratories product could create a situation where personal injury or death may occur. Should Buyer purchase or use Silicon Laboratories products for any such unintended or unauthorized application, Buyer shall indemnify and hold Silicon Laboratories harmless against all claims and damages.