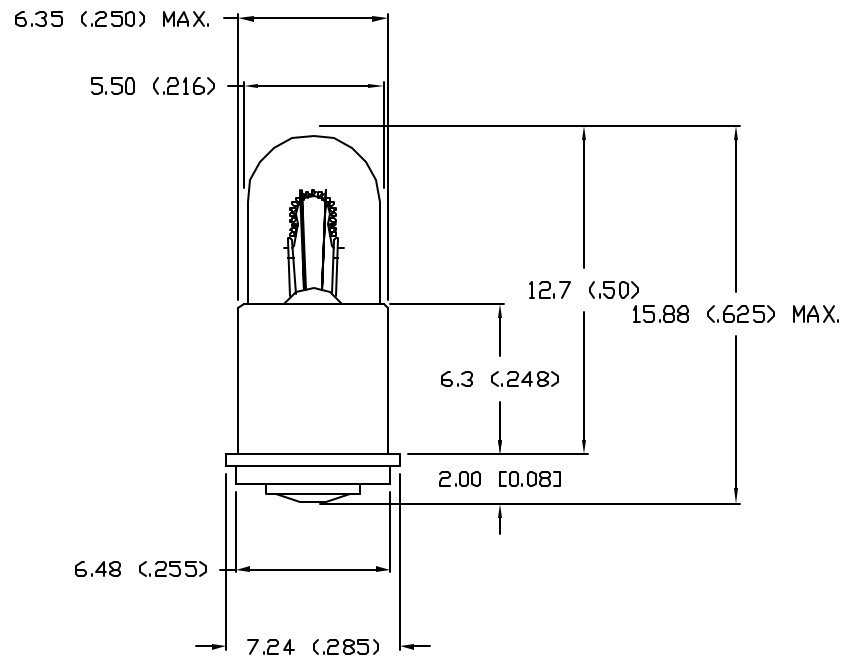


UNCONTROLLED DOCUMENT

PART NUMBER		REV.
IFL-LX7335		A
REV.	E.C.N. NUMBER AND REVISION COMMENTS	DATE
A	E.C.N. #11148.	04.12.07



ELECTRO-OPTICAL SPECIFICATIONS

DESIGN VOLTAGE VAC OR VDC:	5.0
CURRENT DRAW @ DESIGN VOLTS:	115mA
M.S.C.P. @ DESIGN VOLTS:	.15 ±25%
AVERAGE LIFE @ DESIGN VOLTS:	40,000 HRS.

MECHANICAL SPECIFICATIONS

BULB SIZE AND SHAPE:	T 1 3/4 TUBULAR
BULB GLASS TYPE:	KG 12 SEMI SOFT GLASS
BASE OR LEAD FINISH:	MIDGET FLANGE
FILAMENT SHAPE:	C-2F
L.C.L IF APPLICABLE:	N/A
MANUFACTURING PSS:	IFL/T 5.8 MF

ENVIRONMENTAL SPECIFICATIONS

VIBRATION TESTING:	MIL-E-5400N, GRAPH IV
SHOCK:	MIL-STD-883 METHOD 2002 TEST COND A
OPERATING TEMPERATURE:	-50 TO +100 DEG.C
STORAGE TEMPERATURE:	-50 TO +125 DEG.C
SOLDERABILITY OF LEADS:	MIL-STD-202F METHOD 208-D



UNCONTROLLED DOCUMENT

*UNLESS OTHERWISE SPECIFIED TOLERANCES PER DECIMAL PRECISION ARE: X=±1 (±0.039), X.X=±0.5 (±0.020), X.XX=±0.25 (±0.010), X.XXX=±0.127 (±0.005). LEAD SIZE=±0.05 (±0.002), LEAD LENGTH=±0.75 (±0.030). MIN= ^{+0.00} _{-0.00} DECIMAL PRECISION MAX.= ^{+0.00} _{-0.00} DECIMAL PRECISION

REV. A	PART NUMBER IFL-LX7335	<p>CONFIDENTIAL INFORMATION</p> <p>THE INFORMATION CONTAINED IN THIS DOCUMENT IS THE PROPERTY OF LUMEX INC. EXCEPT AS SPECIFICALLY AUTHORIZED IN WRITING BY LUMEX INC, THE HOLDER OF THIS DOCUMENT SHALL KEEP ALL INFORMATION CONTAINED HEREIN CONFIDENTIAL AND SHALL PROTECT SAME IN WHOLE OR IN PART FROM DISCLOSURE AND DISSEMINATION TO ALL THIRD PARTIES.</p> <p>RELIABILITY NOTE</p> <p>OUR MANY YEARS OF EXPERIENCE DATA ACCUMULATION INDICATE THAT SOLDER HEAT IS A MAJOR CAUSE OF EARLY AND FUTURE FAILURE. PLEASE PAY ATTENTION TO YOUR SOLDERING PROCESS.</p>	<p>290 E. HELEN ROAD PALATINE, IL 60067-6976 PHONE: +1.847.359.2790 US WEB: www.lumex.com TW WEB: www.lumex.com.tw</p>
T-1 3/4, MIDGET FLANGE, INCANDESCENT LAMP.		<p>DRAWN BY: JC</p> <p>CHECKED BY:</p> <p>APPROVED BY:</p> <p>DATE: 7.17.95</p> <p>PAGE: 1 OF 1</p> <p>SCALE: N/A</p>	