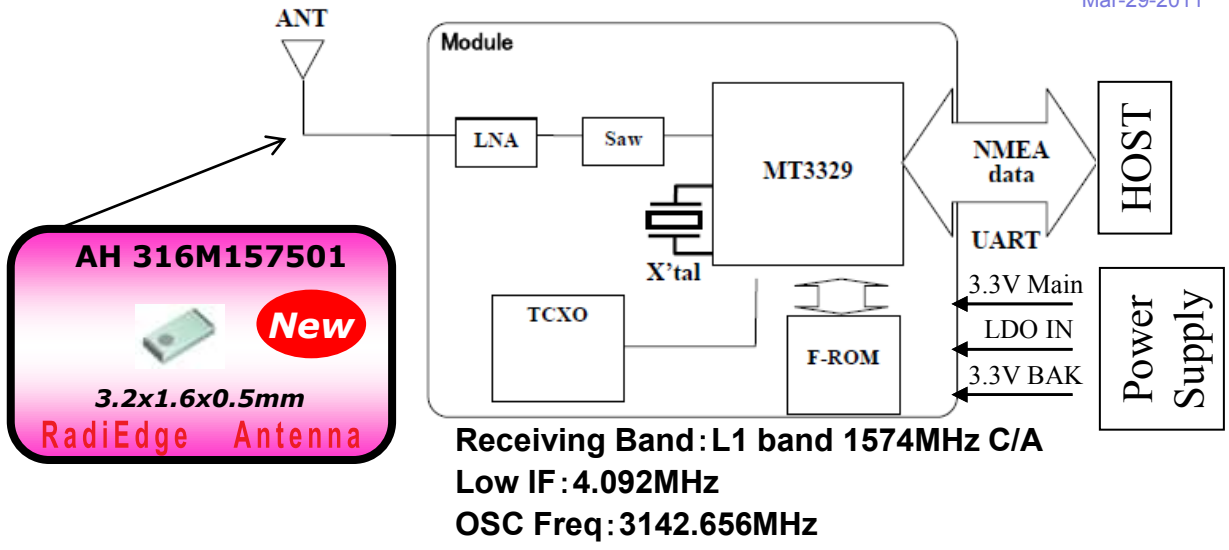


GPS: PCB MT3329 Module – NMEA Output w/TCXO, w/RTC

Features GYSFFMAXX

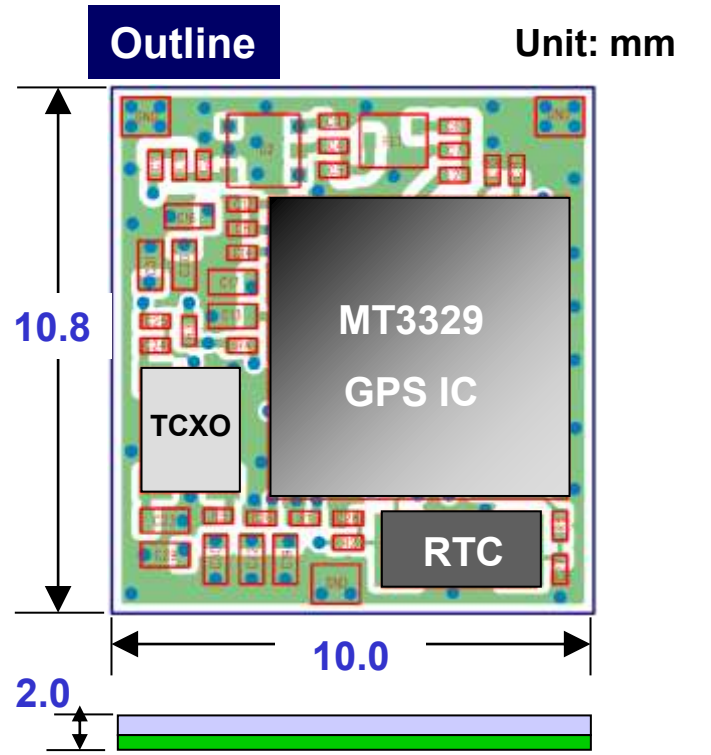
- ◆ GPS Performance : NMEA Output
- ◆ Re-acquisition Sensitivity : -162dBm
- ◆ Tracking Sensitivity : -164dBm
- ◆ TTFF (Time To First Fix) : 1Sec @-130dBm
- ◆ A-GPS support
- ◆ SBAS, Extended Ephemeris support (BEE,EPO)
- ◆ Interface : UART, USB, SPI
- ◆ Built-in High accuracy TCXO :0.5 ppm (16.368MHz)
- ◆ Built-in Ultra Low Noise AMP :0.7dB Noise Figure
- ◆ Built-in RTC : 32.768kHz
- ◆ Small Outline: 10.8 x 10.0 x 2.0(Max) mm
- ◆ Package: Metal case package
- ◆ RoHS Conformity

Preliminary Block Diagram



General Electrical Specification

No	Parameter	Symbol	Spec			Unit	Remark	
			Min	Typ	Max			
1	Frequency	Fc		1575.42		MHz	C/A code	
2	Intermediate frequency	IF		4.092		MHz		
3	Image Rejection Ratio	IRR		30		dB		
4	VCO Oscillation Frequency	Fosc		3142.656		MHz		
5	Noise Figure	NF		1.0	1.6	dB		
			Hs1	-160	-157		Hot start sensitivity	
			Ws1	-147	-144		Warm start sensitivity	
			Cs1	-145	-142		Cold start sensitivity	
6	Sensitivity 1		Ts1	-164	-161	dBm	Tracking sensitivity	
			Ht1	1.2	2.0		sec	Hot start @-135dBm *1
			Wt1	34	45			Warm start@-135dBm *2
			Ct1	39	50			Cold start @-135dBm *3
7	TTFF 1		Ha1	2	10	m		Hot start @-135dBm
			Wa1	2	10		Warm start@-135dBm	
			Ca1	2	10		Cold start @-135dBm	
							C/N=36dB Typ	



Note: The above PRELIMINARY data are not guaranteed and are subject to change without notice.