

# TPA2025D1 Audio Power Amplifier Evaluation Module

---



---



---

This document describes the operation of the TPA2025D1 evaluation module that users may use to evaluate the TPA2025D1 Audio Power Amplifier. Included are the TPA2025D1EVM schematic, board art, and bill of materials.

## Contents

1	Introduction .....	1
1.1	Description .....	1
1.2	TPA2025D1 Specifications .....	2
2	Operation .....	2
2.1	Quick-Start List for Stand-Alone Operation .....	2
2.2	Boost Settings .....	3
2.3	Power Up .....	4
3	Reference .....	5
3.1	TPA2025D1EVM Schematic .....	5
3.2	TPA2025D1EVM PCB Layers .....	6
3.3	TPA2025D1EVM Bill of Materials .....	9

## List of Figures

1	TPA2025D1EVM Schematic.....	5
2	EVM Assembly Layer.....	6
3	EVM Top Layer.....	6
4	EVM Layer 2.....	7
5	EVM Layer 3.....	7
6	EVM Bottom Layer.....	8

## List of Tables

1	TPA2025D1EVM Bill of Materials.....	9
---	-------------------------------------	---

## 1 Introduction

This section provides an overview of the Texas Instruments (TI) TPA2025D1 audio power amplifier evaluation module (EVM). It includes a brief description of the module and a list of specifications.

### 1.1 Description

The TPA2025D1 is a high-efficiency, class-D, audio power amplifier and an integrated boost converter. It drives up to 2 W into a 4-Ω speaker from low supply voltages.

The TPA2025D1 audio power amplifier EVM is a complete, stand-alone audio amplifier. It contains the TPA2025D1 WCSP (YZG) Class-D audio power amplifier with an integrated boost converter. All components and the EVM are Pb-Free.

## 1.2 TPA2025D1 Specifications

$V_{BAT}$	Supply voltage range	2.5 V to 5.2 V
$I_{DD}$	Supply current	3 A Maximum
$P_O$	Continuous output power per channel, 4 $\Omega$ , $V_{BAT} = 3.6$ V	2 W
$V_I$	Audio input voltage	0 V to $V_{BAT}$
$R_L$	Minimum load impedance	4 $\Omega$

## 2 Operation

This section describes how to operate the TPA2025D1EVM.

### 2.1 Quick-Start List for Stand-Alone Operation

Use the following steps when operating the TPA2025D1EVM as a stand-alone or when connecting the EVM into existing circuits or equipment.

#### 2.1.1 Power and Ground

1. Ensure the external power sources are set to OFF.
2. Set the power supply voltage between 2.3 V and 5.2 V. When connecting the power supply to the EVM, attach the power supply ground connection to the GND connector first, and then connect the positive supply to the VDD connector. Verify that correct connections are made to the banana jacks.

#### 2.1.2 Audio

1. Ensure that the audio source is set to the minimum level.
2. Connect the audio source to the input RCA jack **IN**. In case of differential audio input, ensure that the jumper, **JP SE**, is not inserted. In case of a single-ended audio input, ensure that the jumper, **JP SE**, is inserted, thereby grounding IN+ through the input capacitor C2.
3. Connect a speaker (4  $\Omega$  to 32  $\Omega$ ) to the output banana jacks, **OUT+** and **OUT-**.
4. **FLT Out+** and **FLT Out-** test points allow the user to connect the outputs of the amplifier through an RC filter for audio measurements. (Many audio analyzers will not give the correct readings on a Class-D amplifier without additional filtering.) Note that the user must provide the necessary resistors, R7 and R8 to complete the filters. The typical value for R7 and R8 is 1.0 k $\Omega$ .
5. The filtered output of the TPA2025D1 can be measured between test points **FILT OUT-** and **FILT OUT+**

#### 2.1.3 AGC Control

The TPA2025D1 has three selectable inflection point settings: 3.25 V, 3.55 V, and 3.75 V.

1. Remove the jumper, **AGC**, to select the 3.25-V inflection point (AGC1).
2. Install the jumper, **AGC**, between pins 2 and 3 to select the 3.55-V inflection point (AGC2).
3. Install the jumper, **AGC**, between pins 1 and 2 to select the 3.75-V inflection point (AGC3).

#### 2.1.4 Amplifier Gain

The TPA2025D1 has a fixed setting of 20 dB.

#### 2.1.5 Shutdown Controls

1. The TPA2025D1 provides shutdown control for the Class-D amplifier and the boost converter. The EN pin enables the boost converter and Class-D amplifier. It is active high.
2. Press and hold pushbutton **S1** to place the boost converter and the Class-D amplifier in shutdown. Release pushbutton **S1** to activate the Class-D amplifier and boost converter. The boost converter only turns on if an audio signal ( $> 2 V_{PEAK}$ ) is present at one of the outputs (OUT+ or OUT-).

---

**NOTE:** The TPA2025D1 has an auto pass-through mode. Under normal operation (EN = HIGH), the boost converter automatically turns off if no audio signal is present at one of the inputs (IN+ or IN-).

---

## 2.2 Boost Settings

The default voltage for the boost converter is 5.9 V (unloaded) and cannot be changed. If no audio signal is present, the boost converter is automatically disabled. Once the audio signal is present at IN+ and IN-, the boost converter enables automatically, when the output signal exceeds  $2 V_{PEAK}$ .

### 2.2.1 Boost Terms

The following is a list of terms and definitions:

$C_{MIN}$	Minimum boost capacitance required for a given ripple voltage on PVOUT (PVDD)
L	Boost inductor
$f_{boost}$	Switching frequency of the boost converter
$I_{PVDD}$	Current pulled by the class-D amplifier from the boost converter
$I_{PVDD}$	Current pulled by the class-D amplifier from the boost converter
$I_L$	Current through the boost inductor.
PVDD (PVOUT)	Supply voltage for the class-D amplifier (Voltage generated by the boost converter output)
VBAT (VDD)	Supply voltage to the TPA2025D1 (Supply voltage to the EVM).
$\Delta I_L$	Ripple current through the inductor.
$\Delta V$	Ripple voltage on PVOUT (PVDD) due to capacitance

### 2.2.2 Changing the Boost Inductor

Working inductance decreases as inductor current increases. If the drop in working inductance is severe enough, it may cause the boost converter to become unstable, or cause the TPA2025D1 to reach its current limit at a lower output power than expected. Inductor vendors specify currents at which inductor values decrease by a specific percentage. This can vary by 10% to 35%. Inductance is also affected by dc current and temperature.

Inductor current rating is determined by the requirements of the load. The inductance is determined by two factors: the minimum value required for stability and the maximum ripple current permitted in the application.

Use [Equation 1](#) to determine the required current rating. [Equation 1](#) shows the approximate relationship between the average inductor current,  $I_L$ , to the load current, load voltage, and input voltage ( $I_{PVDD}$ , PVOUT, and VBAT, respectively.) Insert  $I_{PVDD}$ , PVDD, and VBAT into [Equation 1](#) to solve for  $I_L$ . The inductor must maintain at least 90% of its initial inductance value at this current.

$$I_L = I_{PVDD} \times \left( \frac{PVDD}{VBAT \times 0.8} \right) \quad (1)$$

The minimum working inductance is 1.3  $\mu$ H. A lower value may cause instability.

Ripple current,  $\Delta I_L$ , is peak-to-peak variation in inductor current. Smaller ripple current reduces core losses in the inductor as well as the potential for EMI. Use [Equation 2](#) to determine the value of the inductor, L. [Equation 2](#) shows the relationships among inductance L, VBAT, PVDD, the switching frequency,  $f_{boost}$ , and  $\Delta I_L$ . Insert the maximum acceptable ripple current into [Equation 2](#) to solve for L.

$$L = \frac{VBAT \times (PVDD - VBAT)}{\Delta I_L \times f_{BOOST} \times PVDD} \quad (2)$$

$\Delta I_L$  is inversely proportional to L. Minimize  $\Delta I_L$  as much as is necessary for a specific application. Increase the inductance to reduce the ripple current. Note that making the inductance too large prevents the boost converter from responding to fast load changes properly. Typical inductor values for the TPA2025D1 are 2.2  $\mu\text{H}$  to 4.7  $\mu\text{H}$ .

Select an inductor with a small dc resistance, DCR. DCR reduces the output power due to the voltage drop across the inductor.

### 2.2.3 Changing the Boost Capacitor

The value of the boost capacitor is determined by the minimum value of working capacitance required for stability and the maximum voltage ripple allowed on PVOOUT in the application. The minimum value of working capacitance is 4.7  $\mu\text{F}$ . Do not use any component with a working capacitance less than 4.7  $\mu\text{F}$ . Working capacitance is defined as the rated capacitance reduced by the DC Bias factor, temperature, and aging parameters of the capacitor being used. It may be necessary to request these parameters from the capacitor manufacturer. For best performance, only consider ceramic capacitors with X5R or X7R dielectric.

For X5R or X7R ceramic capacitors, Equation 3 shows the relationships among the boost capacitance, C, to load current, load voltage, ripple voltage, input voltage, and switching frequency ( $I_{PVOOUT}$ , PVOOUT,  $\Delta V$ , VDD,  $f_{\text{boost}}$  respectively). Insert the maximum allowed ripple voltage into Equation 3 to solve for C. A factor of about 1.5 is included to account for capacitance loss due to dc voltage and temperature.

$$C = 1.5 \times \frac{I_{PVDD} \times (PVDD - VBAT)}{\Delta V \times f_{\text{BOOST}} \times PVDD} \quad (3)$$

For aluminum or tantalum capacitors, Equation 4 shows the relationships among the boost capacitance, C, to load current, load voltage, ripple voltage, input voltage, and switching frequency ( $I_{PVOOUT}$ , PVOOUT,  $\Delta V$ , VDD,  $f_{\text{boost}}$  respectively). Insert the maximum allowed ripple voltage into Equation 4 to solve for C. Solve this equation assuming ESR is zero.

$$C = \frac{I_{PVDD} \times (PVDD - VBAT)}{\Delta V \times f_{\text{BOOST}} \times PVDD} \quad (4)$$

Capacitance of aluminum and tantalum capacitors is normally insensitive to applied voltage, so no factor of 1.5 is included in Equation 4. However, the ESR in aluminum and tantalum capacitors can be significant. Choose an aluminum or tantalum capacitor with an ESR around 30 m $\Omega$ . For best performance with tantalum capacitors, use at least a 10-V rating. Note that tantalum capacitors must generally be used at voltages of half their ratings or less.

## 2.3 Power Up

1. Verify that the correct connections are as described in Section 2.1.
2. Verify that the voltage setting of the power supply is between 2.5 V and 5.2 V, and turn on the power supply. Proper operation of the EVM begins.
3. Adjust the audio signal source as needed.

### 3 Reference

This section includes the EVM schematic, board layout reference, and parts list.

#### 3.1 TPA2025D1EVM Schematic

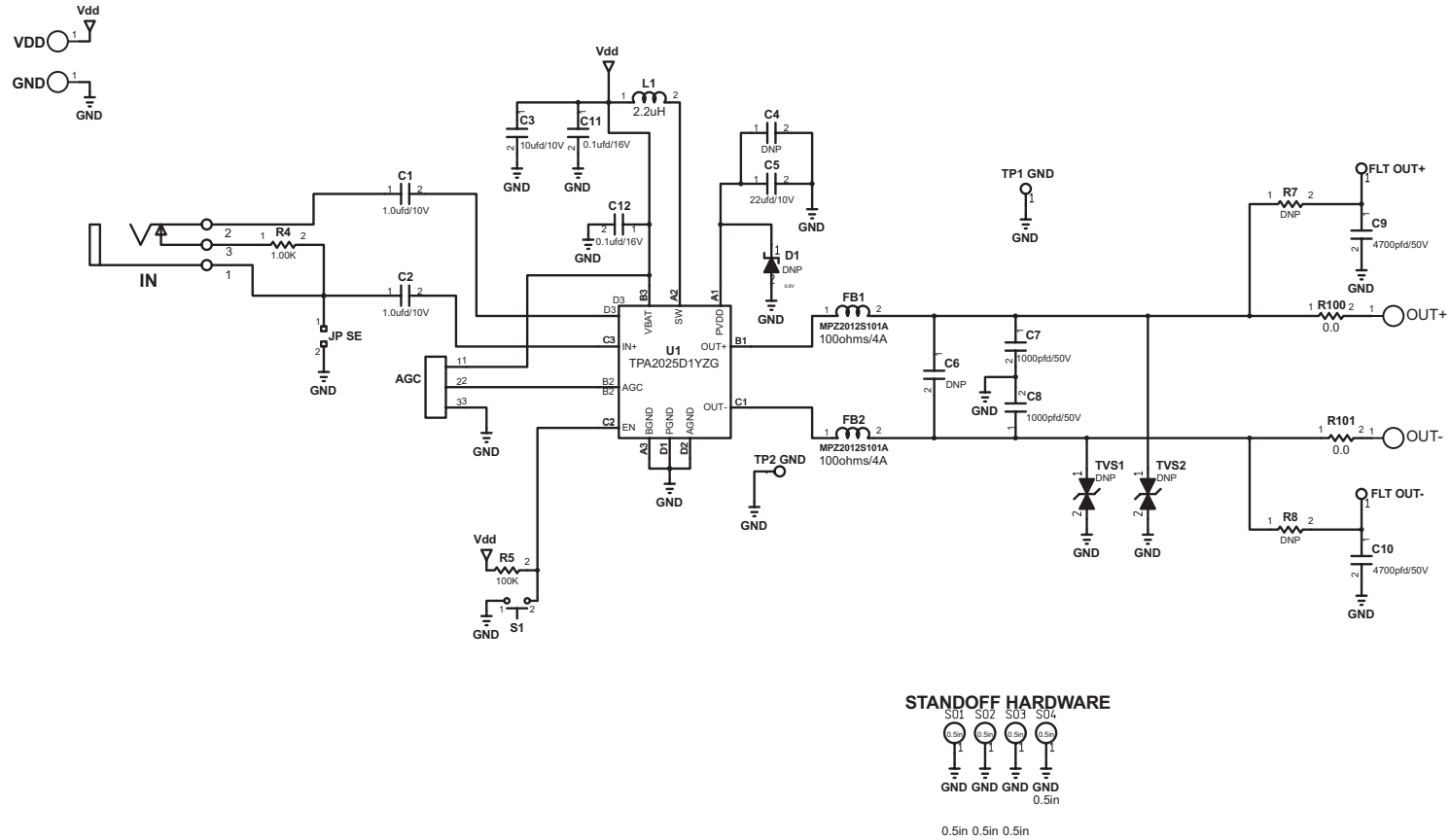


Figure 1. TPA2025D1EVM Schematic

### 3.2 TPA2025D1EVM PCB Layers

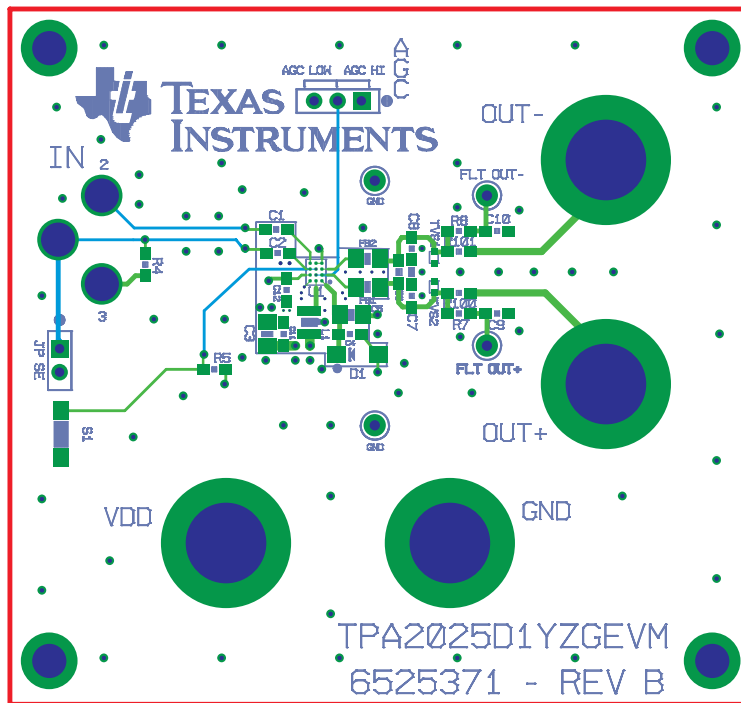


Figure 2. EVM Assembly Layer

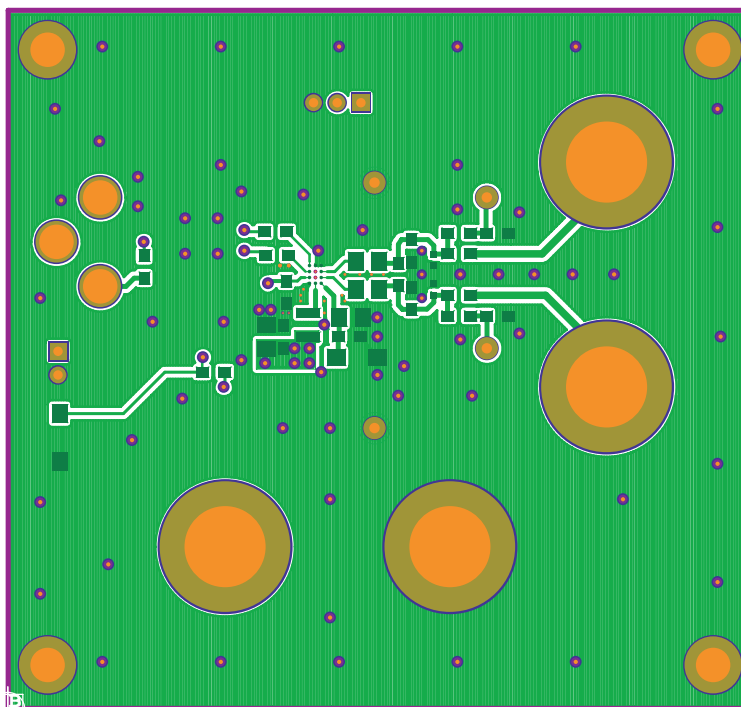


Figure 3. EVM Top Layer

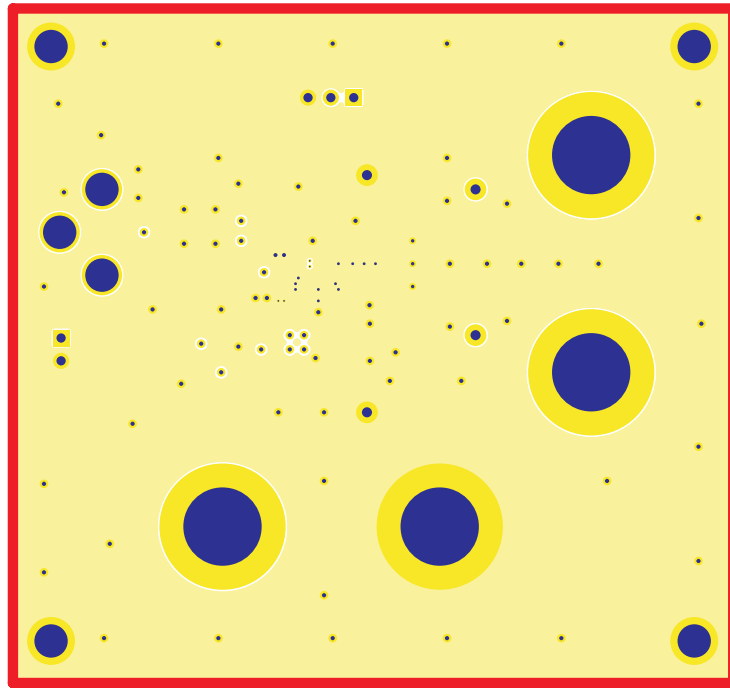


Figure 4. EVM Layer 2

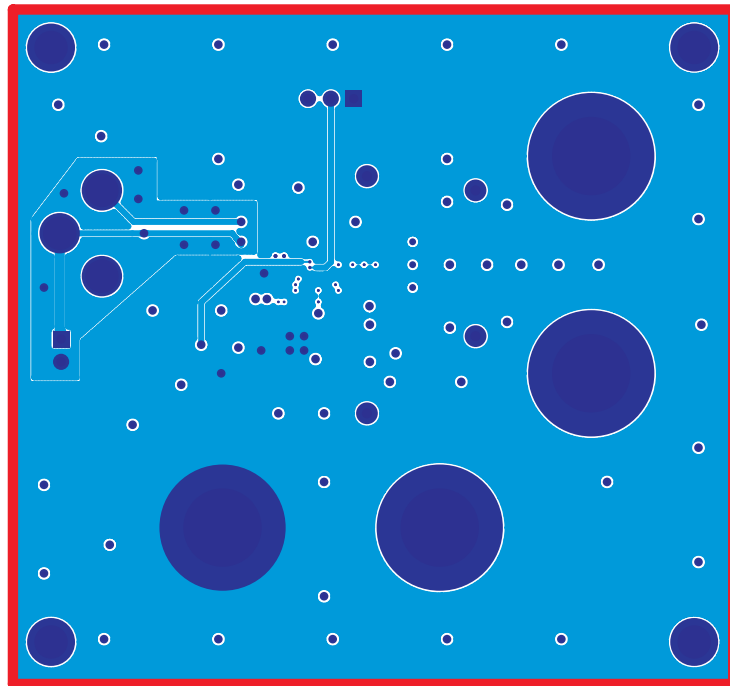


Figure 5. EVM Layer 3

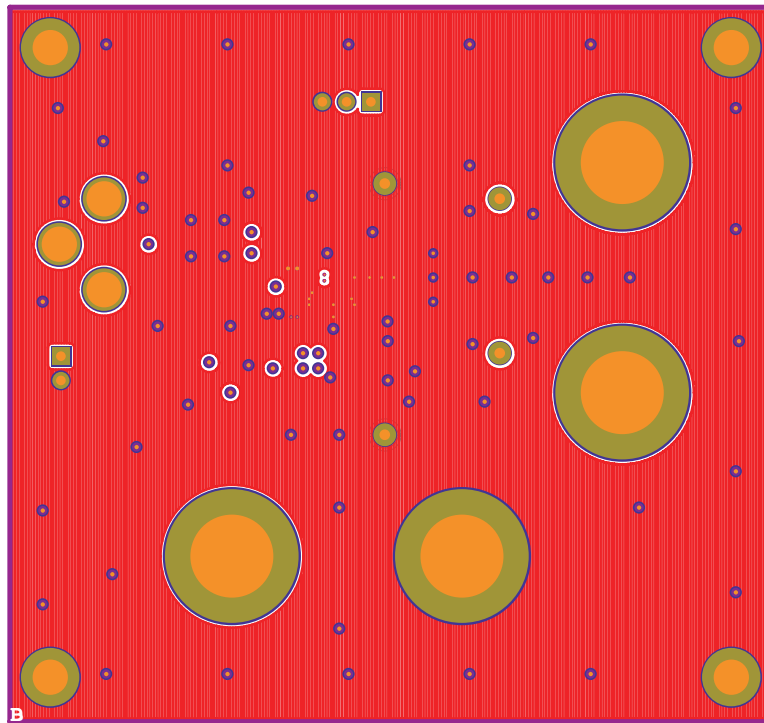


Figure 6. EVM Bottom Layer



### 3.3 TPA2025D1EVM Bill of Materials

**Table 1. TPA2025D1EVM Bill of Materials**

ITEM	MANU PARTNUM	QTY	REF DESIGNATORS	VENDOR PARTNUM	DESCRIPTION	VENDOR	MANUFACTURER
1	TPA2025D1YZG	1	U1	TPA2025D1YZG	Audio Power Amplifier	TEXAS INSTRUMENTS	TEXAS INSTRUMENTS
<b>SEMICONDUCTORS</b>							
2	ESDALC6V1-1BT2	(0) DNP	TVS1,TVS2	ESDALC6V1-1BT2	TRANSIENT VOLTAGE SUPPRESSION BIDIR 6.1V 9A SOD-882 ROHS	MOUSER	ST MICROELECTRONICS
<b>CAPACITORS</b>							
3	C1608C0G1H102J	2	C7,C8	445-1293-1	CAP SMD0603 CERM 1000PFD 50V 5% COG ROHS	DIGI-KEY	TDK CORP.
4	ECJ-1VB1H472K	2	C9,C10	PCC1780CT	CAP SMD0603 CERM 4700PFD 50V 10% X7R ROHS	DIGI-KEY	PANASONIC
5	GRM21BR71A106KE51L	1	C3	490-3905-1	CAP SMD0805 CERM 10UFD 10V10% X7R ROHS	DIGI-KEY	MURATA
6	LMK212BJ226MG-T	1	C5	587-1958-1	CAP SMD0805 CERM 22UFD 10V 20% X5R ROHS	DIGI-KEY	TAIYO YUDEN
7	ECJ-1VB1C104K	2	C11,C12	PCC1762CT	CAP SMD0603 CERM 0.1UFD 16V 10% X7R ROHS	DIGI-KEY	PANASONIC
8	GRM185R61A105KE36D	2	C1,C2	490-3893-1	CAP SMD0603 CERM 1.0UFD 10V 10% X5R ROHS	DIGI-KEY	MURATA
<b>RESISTORS</b>							
9	ERJ-3GEYJ104V	1	R5	P100KGCT	RESISTOR SMD0603 100K OHM 5% THICK FILM 1/10W ROHS	DIGI-KEY	PANASONIC
10	RC0603FR-071KL	1	R4	311-1.00KHRCT	RESISTOR SMD0603 THICK FILM 1.00K OHM 1% 1/10W ROHS	DIGI-KEY	YAGEO
11	ERJ-3GEY0R00V	2	R100,R101	P0.0GCT	RESISTOR SMD0603 0.0 OHM 5% THICK FILM 1/10W ROHS	DIGI-KEY	PANASONIC
<b>INDUCTORS</b>							
12	1239AS-H-2R2N=P2	1	L1	1239AS-H-2R2N=P2	INDUCTOR POWER SMD1008 2.2uH RDC=80mOHMS 2.3A DFE252012C ROHS	TOKO JAPAN	TOKO JAPAN
13	MMSZ5235BT1	(0) DNP	D1		ZENER DIODE,6.8V,SMT SOD-123		
14	MPZ2012S101A	2	FB1,FB2	445-1567-1	FERRITE BEAD, 100 Ohms 4A 100MHz SM0805 ROHS	DIGI-KEY	TDK

**Table 1. TPA2025D1EVM Bill of Materials (continued)**

ITEM	MANU PARTNUM	QTY	REF DESIGNATORS	VENDOR PARTNUM	DESCRIPTION	VENDOR	MANUFACTURER
<b>HEADERS, JACKS, AND SHUNTS</b>							
15	26630301RP2	1	AGC	2663S-03	HEADER 3 PIN, PCB 2.0MM ROHS	DIGI-KEY	NORCOMP
16	26630201RP2	1	JP SE	2663S-02	HEADER 2 PIN, PCB 2.0MM ROHS	DIGI-KEY	NORCOMP
17	PJРАН1X1U01X	1	IN	65K7770	JACK, RCA 3-PIN PCB-RA BLACK ROHS	NEWARK	SWITCHCRAFT
18	810-002-SP2L001	2	JP SE, AGC <sup>(1)</sup>	SP2-001E	SHUNT, BLACK AU FLASH 2 MM ROHS	DIGI-KEY	NORCOMP
<b>TESTPOINTS AND SWITCHES</b>							
19	5002	1	FLT OUT-	5002K	PC TESTPOINT, WHITE, ROHS	DIGI-KEY	KEYSTONE ELECTRONICS
20	5001	2	TP1 GND,TP2 GND	5001K	PC TESTPOINT, BLACK, ROHS	DIGI-KEY	KEYSTONE ELECTRONICS
21	5000	1	FLT OUT+	5000K	PC TESTPOINT, RED, ROHS	DIGI-KEY	KEYSTONE ELECTRONICS
<b>STANDOFFS AND HARDWARE</b>							
22	TL1015AF160QG	1	S1	EG4344CT	SWITCH, MOM, 160G SMT 4X3MM ROHS	DIGI-KEY	E-SWITCH
23	2027	4	SO1,SO2,SO3,SO4	2027K	STANDOFF,4-40,0.5INx3/16IN,ALUM RND F-F	DIGI-KEY	KEYSTONE ELECTRONICS
24	111-2223-001	4	GND, VDD, OUT+, OUT-	J587	BINDING-POST,NONINS,THRU,ROHS	DIGI-KEY	EMERSON NPCS
<b>COMPONENTS NOT ASSEMBLED</b>							
25	R0603_DNP	2	R7, R8				
26	C0603_DNP	2	C4, C6				

<sup>(1)</sup> Place Shunts Only On Pin2 of JP SE and on Pin3 of AGC

## Evaluation Board/Kit Important Notice

Texas Instruments (TI) provides the enclosed product(s) under the following conditions:

This evaluation board/kit is intended for use for **ENGINEERING DEVELOPMENT, DEMONSTRATION, OR EVALUATION PURPOSES ONLY** and is not considered by TI to be a finished end-product fit for general consumer use. Persons handling the product(s) must have electronics training and observe good engineering practice standards. As such, the goods being provided are not intended to be complete in terms of required design-, marketing-, and/or manufacturing-related protective considerations, including product safety and environmental measures typically found in end products that incorporate such semiconductor components or circuit boards. This evaluation board/kit does not fall within the scope of the European Union directives regarding electromagnetic compatibility, restricted substances (RoHS), recycling (WEEE), FCC, CE or UL, and therefore may not meet the technical requirements of these directives or other related directives.

Should this evaluation board/kit not meet the specifications indicated in the User's Guide, the board/kit may be returned within 30 days from the date of delivery for a full refund. **THE FOREGOING WARRANTY IS THE EXCLUSIVE WARRANTY MADE BY SELLER TO BUYER AND IS IN LIEU OF ALL OTHER WARRANTIES, EXPRESSED, IMPLIED, OR STATUTORY, INCLUDING ANY WARRANTY OF MERCHANTABILITY OR FITNESS FOR ANY PARTICULAR PURPOSE.**

The user assumes all responsibility and liability for proper and safe handling of the goods. Further, the user indemnifies TI from all claims arising from the handling or use of the goods. Due to the open construction of the product, it is the user's responsibility to take any and all appropriate precautions with regard to electrostatic discharge.

**EXCEPT TO THE EXTENT OF THE INDEMNITY SET FORTH ABOVE, NEITHER PARTY SHALL BE LIABLE TO THE OTHER FOR ANY INDIRECT, SPECIAL, INCIDENTAL, OR CONSEQUENTIAL DAMAGES.**

TI currently deals with a variety of customers for products, and therefore our arrangement with the user **is not exclusive.**

TI assumes **no liability for applications assistance, customer product design, software performance, or infringement of patents or services described herein.**

Please read the User's Guide and, specifically, the Warnings and Restrictions notice in the User's Guide prior to handling the product. This notice contains important safety information about temperatures and voltages. For additional information on TI's environmental and/or safety programs, please contact the TI application engineer or visit [www.ti.com/esh](http://www.ti.com/esh).

No license is granted under any patent right or other intellectual property right of TI covering or relating to any machine, process, or combination in which such TI products or services might be or are used.

## FCC Warning

This evaluation board/kit is intended for use for **ENGINEERING DEVELOPMENT, DEMONSTRATION, OR EVALUATION PURPOSES ONLY** and is not considered by TI to be a finished end-product fit for general consumer use. It generates, uses, and can radiate radio frequency energy and has not been tested for compliance with the limits of computing devices pursuant to part 15 of FCC rules, which are designed to provide reasonable protection against radio frequency interference. Operation of this equipment in other environments may cause interference with radio communications, in which case the user at his own expense will be required to take whatever measures may be required to correct this interference.

## EVM Warnings and Restrictions

It is important to operate this EVM within the input voltage range of  $-0.3\text{ V}$  to  $6\text{ V}$  and the output voltage range of  $-0.3\text{ V}$  to  $V_{DD} + 0.3\text{ V}$ .

Exceeding the specified input range may cause unexpected operation and/or irreversible damage to the EVM. If there are questions concerning the input range, please contact a TI field representative prior to connecting the input power.

Applying loads outside of the specified output range may result in unintended operation and/or possible permanent damage to the EVM. Please consult the EVM User's Guide prior to connecting any load to the EVM output. If there is uncertainty as to the load specification, please contact a TI field representative.

During normal operation, some circuit components may have case temperatures greater than  $85^{\circ}\text{C}$ . The EVM is designed to operate properly with certain components above  $85^{\circ}\text{C}$  as long as the input and output ranges are maintained. These components include but are not limited to linear regulators, switching transistors, pass transistors, and current sense resistors. These types of devices can be identified using the EVM schematic located in the EVM User's Guide. When placing measurement probes near these devices during operation, please be aware that these devices may be very warm to the touch.

## IMPORTANT NOTICE

Texas Instruments Incorporated and its subsidiaries (TI) reserve the right to make corrections, modifications, enhancements, improvements, and other changes to its products and services at any time and to discontinue any product or service without notice. Customers should obtain the latest relevant information before placing orders and should verify that such information is current and complete. All products are sold subject to TI's terms and conditions of sale supplied at the time of order acknowledgment.

TI warrants performance of its hardware products to the specifications applicable at the time of sale in accordance with TI's standard warranty. Testing and other quality control techniques are used to the extent TI deems necessary to support this warranty. Except where mandated by government requirements, testing of all parameters of each product is not necessarily performed.

TI assumes no liability for applications assistance or customer product design. Customers are responsible for their products and applications using TI components. To minimize the risks associated with customer products and applications, customers should provide adequate design and operating safeguards.

TI does not warrant or represent that any license, either express or implied, is granted under any TI patent right, copyright, mask work right, or other TI intellectual property right relating to any combination, machine, or process in which TI products or services are used. Information published by TI regarding third-party products or services does not constitute a license from TI to use such products or services or a warranty or endorsement thereof. Use of such information may require a license from a third party under the patents or other intellectual property of the third party, or a license from TI under the patents or other intellectual property of TI.

Reproduction of TI information in TI data books or data sheets is permissible only if reproduction is without alteration and is accompanied by all associated warranties, conditions, limitations, and notices. Reproduction of this information with alteration is an unfair and deceptive business practice. TI is not responsible or liable for such altered documentation. Information of third parties may be subject to additional restrictions.

Resale of TI products or services with statements different from or beyond the parameters stated by TI for that product or service voids all express and any implied warranties for the associated TI product or service and is an unfair and deceptive business practice. TI is not responsible or liable for any such statements.

TI products are not authorized for use in safety-critical applications (such as life support) where a failure of the TI product would reasonably be expected to cause severe personal injury or death, unless officers of the parties have executed an agreement specifically governing such use. Buyers represent that they have all necessary expertise in the safety and regulatory ramifications of their applications, and acknowledge and agree that they are solely responsible for all legal, regulatory and safety-related requirements concerning their products and any use of TI products in such safety-critical applications, notwithstanding any applications-related information or support that may be provided by TI. Further, Buyers must fully indemnify TI and its representatives against any damages arising out of the use of TI products in such safety-critical applications.

TI products are neither designed nor intended for use in military/aerospace applications or environments unless the TI products are specifically designated by TI as military-grade or "enhanced plastic." Only products designated by TI as military-grade meet military specifications. Buyers acknowledge and agree that any such use of TI products which TI has not designated as military-grade is solely at the Buyer's risk, and that they are solely responsible for compliance with all legal and regulatory requirements in connection with such use.

TI products are neither designed nor intended for use in automotive applications or environments unless the specific TI products are designated by TI as compliant with ISO/TS 16949 requirements. Buyers acknowledge and agree that, if they use any non-designated products in automotive applications, TI will not be responsible for any failure to meet such requirements.

Following are URLs where you can obtain information on other Texas Instruments products and application solutions:

### Products

Audio	<a href="http://www.ti.com/audio">www.ti.com/audio</a>
Amplifiers	<a href="http://amplifier.ti.com">amplifier.ti.com</a>
Data Converters	<a href="http://dataconverter.ti.com">dataconverter.ti.com</a>
DLP® Products	<a href="http://www.dlp.com">www.dlp.com</a>
DSP	<a href="http://dsp.ti.com">dsp.ti.com</a>
Clocks and Timers	<a href="http://www.ti.com/clocks">www.ti.com/clocks</a>
Interface	<a href="http://interface.ti.com">interface.ti.com</a>
Logic	<a href="http://logic.ti.com">logic.ti.com</a>
Power Mgmt	<a href="http://power.ti.com">power.ti.com</a>
Microcontrollers	<a href="http://microcontroller.ti.com">microcontroller.ti.com</a>
RFID	<a href="http://www.ti-rfid.com">www.ti-rfid.com</a>
OMAP Mobile Processors	<a href="http://www.ti.com/omap">www.ti.com/omap</a>
Wireless Connectivity	<a href="http://www.ti.com/wirelessconnectivity">www.ti.com/wirelessconnectivity</a>

### Applications

Communications and Telecom	<a href="http://www.ti.com/communications">www.ti.com/communications</a>
Computers and Peripherals	<a href="http://www.ti.com/computers">www.ti.com/computers</a>
Consumer Electronics	<a href="http://www.ti.com/consumer-apps">www.ti.com/consumer-apps</a>
Energy and Lighting	<a href="http://www.ti.com/energy">www.ti.com/energy</a>
Industrial	<a href="http://www.ti.com/industrial">www.ti.com/industrial</a>
Medical	<a href="http://www.ti.com/medical">www.ti.com/medical</a>
Security	<a href="http://www.ti.com/security">www.ti.com/security</a>
Space, Avionics and Defense	<a href="http://www.ti.com/space-avionics-defense">www.ti.com/space-avionics-defense</a>
Transportation and Automotive	<a href="http://www.ti.com/automotive">www.ti.com/automotive</a>
Video and Imaging	<a href="http://www.ti.com/video">www.ti.com/video</a>

TI E2E Community Home Page

[e2e.ti.com](http://e2e.ti.com)

Mailing Address: Texas Instruments, Post Office Box 655303, Dallas, Texas 75265  
Copyright © 2011, Texas Instruments Incorporated