

ON SEMICONDUCTOR Transistors

ON Semiconductor®

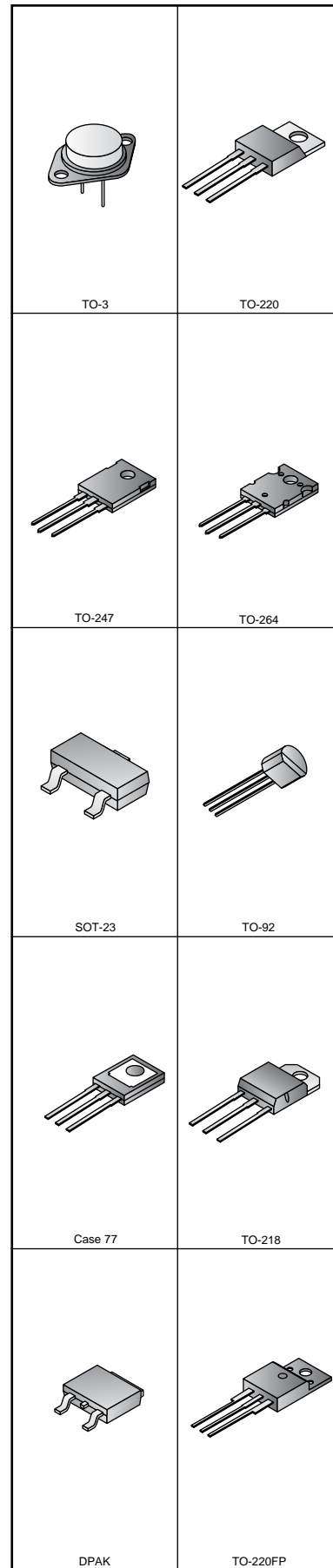


RoHS Compliant This product is RoHS compliant.

ON SEMICONDUCTOR AUDIO BIPOLAR TRANSISTORS (CONT.)

For quantities of 1000 and up, call for quote.

MOUSER STOCK NO.	ON Semi Part No.	Package	VCEO Min (V)	IC Max (A)	hFE Min	hFE Max	Price Each			
							1	25	100	500
PNP										
863-MJ15004G	MJ15004G	TO-3	140	20	25	150				
863-MJ21195G	MJ21195G	TO-3	250	16	25	75				
863-MJE15035G	MJE15035G	TO-220	350	4	100	-				
863-MJE15029G	MJE15029G	TO-220	120	8	40	-				
863-MJ15016G	MJ15016G	TO-3	120	15	20	70				
863-MJE15031G	MJE15031G	TO-220	150	8	40	-				
863-MJ15023G	MJ15023G	TO-3	200	16	15	60				
863-MJW1302AG	MJW1302AG	TO-247	230	15	50	200				
863-MJ15025G	MJ15025G	TO-3	250	16	15	60				
863-MJ21193G	MJ21193G	TO-3	250	16	25	75				
863-MJL21193G	MJL21193G	TO-264	250	16	25	75				
863-MJW21193G	MJW21193G	TO-247	250	16	20	70				
863-MJL1302AG	MJL1302AG	TO-264	260	15	75	150				
863-MJE15035G	MJE15035G	TO-220	350	4	100	-				
863-MJL4302AG	MJL4302AG	TO-264	350	15	80	250				



ON SEMICONDUCTOR DARLINGTON BIPOLAR TRANSISTORS

For quantities of 1000 and up, call for quote.

MOUSER STOCK NO.	ON Semi Part No.	Package	VCEO Min (V)	IC Max (A)	hFE Min	hFE Max	Price Each			
							1	25	100	500
NPN										
863-MMBTA13LT1G	MMBTA13LT1G	SOT-23	30	0.3	10	-				
863-MMBTA14LT1G	MMBTA14LT1G	SOT-23	30	0.3	20	-				
863-MPSA13RLRAG	MPSA13RLRAG	TO-92	30	0.5	10	-				
863-MPSA14RLRAG	MPSA14RLRAG	TO-92	30	0.5	20	-				
863-MMBT6427LT1G	MMBT6427LT1G	SOT-23	40	0.5	20	200				
863-MPSA27RLRAG	MPSA27RLRAG	TO-92	60	0.5	10	-				
863-TIP110G	TIP110G	TO-220	60	2	0.5	-				
863-MJE800G	MJE800G	Case 77	60	4	0.75	-				
863-TIP120G	TIP120G	TO-220	60	5	1	-				
863-2N6043G	2N6043G	TO-220	60	8	0.001	20				
863-TIP140G	TIP140G	TO-218	60	10	0.5	-				
863-2N6039G	2N6039G	Case 77	80	4	0.75	15				
863-MJE802G	MJE802G	Case 77	80	4	-	-				
863-TIP121G	TIP121G	TO-220	80	5	1	-				
863-TIP101G	TIP101G	TO-220	80	8	1	20				
863-2N6388G	2N6388Gs	TO-220	80	10	1	20				
863-MJD112G	MJD112G	DPAK	100	2	12000	25				
863-MJF6388G	MJF6388G	TO-220 FP	100	10	15000	20				
863-MPSA29RLRPG	MPSA29RLRPG	TO-92	100	0.5	10	-				
863-TIP112G	TIP112G	TO-220	100	2	0.5	-				
863-TIP117G	TIP117G	TO-220	100	2	0.5	-				
863-TIP122G	TIP122G	TO-220	100	5	1	-				
863-MJF122G	MJF122G	TO-220 FP	100	5	-	-				
863-2N6045G	2N6045G	TO-220	100	8	1	20				
863-MJD122G	MJD122G	DPAK	100	8	1	12				
863-TIP102G	TIP102G	TO-220	100	8	1	20				
863-MJF6388G	MJF6388G	TO-220 FP	100	10	3	15				
863-TIP142G	TIP142G	TO-218	100	10	0.5	-				
863-MJH6284G	MJH6284G	TO-218	100	20	-	18				
863-MJ11032G	MJ11032G	TO-3	120	50	-	-				
863-MJH11020G	MJH11020G	TO-218	200	15	-	15				
863-MJH11022G	MJH11022G	TO-218	250	15	-	15				
863-MJE5742G	MJE5742G	TO-220	400	8	-	-				
PNP										
863-2N6052G	2N6052G	TO-3	100	12000	0.75	18				
863-2N6286G	2N6286G	TO-3	80	20000	0.75	18				
863-MJ11015G	MJ11015G	TO-3	120	30000	1	-				
863-MJ11021G	MJ11021G	TO-3	250	30000	0.4	15				
863-MJD117T4G	MJD117T4G	DPAK	100	2000	1	12				
863-MMBTA63LT1G	MMBTA63LT1G	SOT-23	30	0.5	10	-				
863-MMBTA64LT1G	MMBTA64LT1G	SOT-23	30	0.5	20	-				
863-MJE700G	MJE700G	Case 77	60	4	-	-				
863-TIP125G	TIP125G	TO-220	60	5	1	-				
863-2N6040G	2N6040G	TO-220	60	8	1	20				
863-2N6667G	2N6667G	TO-220	60	10	1	20				
863-2N6036G	2N6036G	Case 77	80	4	0.75	15				