

# TUSB7320/TUSB7340 EVM User's Guide

## User's Guide



Literature Number: SLLU146A  
May 2011–Revised May 2012

---



---



---

<b>1</b>	<b>Introduction .....</b>	<b>5</b>
<b>2</b>	<b>EVM Board .....</b>	<b>6</b>
<b>1</b>	<b>TUSB7320 and TUSB7340 DEMO Boards .....</b>	<b>6</b>
<b>2</b>	<b>Hardware Setup .....</b>	<b>8</b>
	2.1 Headers .....	8
	2.2 VBUS .....	8
	2.3 PCI Express Slot Options .....	8
<b>3</b>	<b>Bringup .....</b>	<b>9</b>
<b>4</b>	<b>WAKE Testing Setup .....</b>	<b>10</b>
<b>5</b>	<b>SMI Support .....</b>	<b>11</b>
<b>6</b>	<b>Schematics .....</b>	<b>12</b>
<b>1</b>	<b>TUSB7320 DEMO EVM REVB Schematics .....</b>	<b>13</b>
<b>2</b>	<b>TUSB7340 DEMO EVM REVB Schematics .....</b>	<b>17</b>
	<b>Appendix A Bill of Materials .....</b>	<b>21</b>

## List of Figures

1	TUSB7320 DEMO EVM REVB.....	6
2	TUSB7340 DEMO EVM REVB.....	7
3	SMI via Location for TUSB7340 DEMO EVM REVB .....	11

## List of Tables

1	TUSB7320 DEMO REVB BOM .....	21
2	TUSB7340 DEMO REVB BOM .....	22

This guide is intended to describe the necessary information needed to operate either the TUSB7320 DEMO EVM REVB or TUSB7340 DEMO EVM REVB boards. In this document you will find how to setup and use the EVM boards. The schematics and bill of materials are also detailed at the end of the document.

## ***Introduction***

---

---

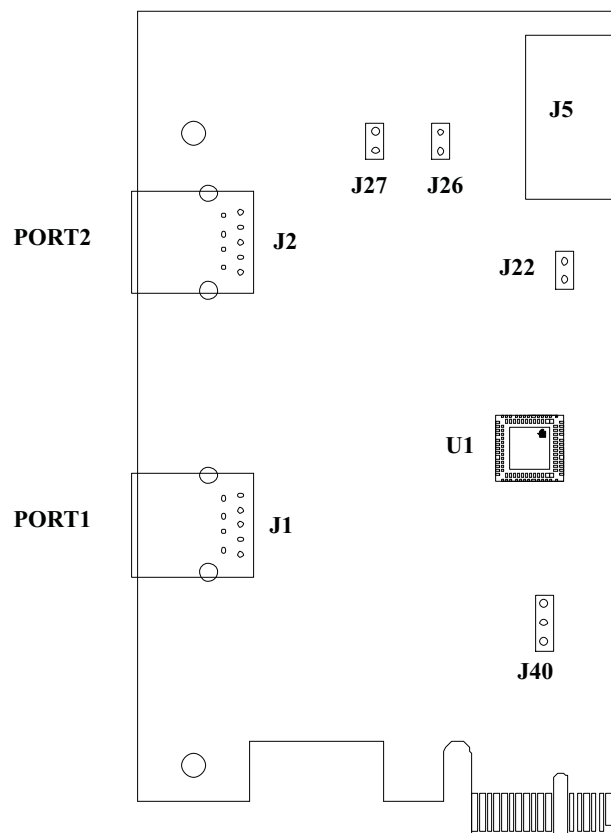
---

The TUSB7340 is a USB 3.0 xHCI 0.96 compliant host controller that supports up to four downstream ports. The TUSB7320 supports up to two downstream ports. The TUSB73x0 interfaces to the host system via a PCIe x1 Gen 2 interface and provides SuperSpeed, High-speed, Full-speed, or Low-speed connections on the downstream USB ports.

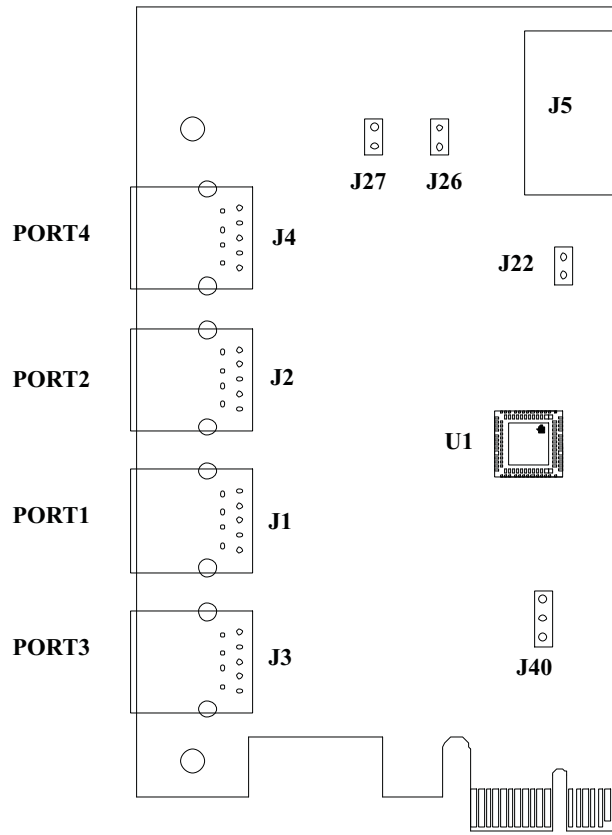
## EVM Board

### 1 TUSB7320 and TUSB7340 DEMO Boards

The TUSB7320 and TUSB7340 DEMO boards are both PCI Express X1 Standard Height cards. The dimensions of both boards are 4.376 inches by 2.571 inches. The two figures below depict how the boards look.



**Figure 1. TUSB7320 DEMO EVM REV B**



**Figure 2. TUSB7340 DEMO EVM REV B**

## 2 Hardware Setup

### 2.1 Headers

The EVM boards are populated with three headers: J22, J26, and J40.

J22 header is used to change the state of AUX\_DET signal to the TUSB73XX. By default, this header is not shorted and therefore AUX\_DET will be high. If a jumper shunt is placed over J22, the AUX\_DET will be low.

The J26 header is used to route 5 V from the IDE Power Connector (J5) to the Texas Instruments TPS2560 USB power switch. This header should always have a Jumper Shunt populated. For more information on the Texas Instruments TPS2560, please visit [www.ti.com](http://www.ti.com).

J40 header is used to select the 3.3-V power source for the TUSB73X0. By default, a Jumper Shunt should be populated across pins 1 and 2 of J40. When in this position, the 3.3-V power from the PCI Express slot is routed to the TUSB73X0. If the Jumper Shunt is moved to pins 2 and 3, then the 3.3-V VAUX power from the PCI Express slot is routed to the TUSB73X0. The Jumper Shunt should only be moved to positions 2 and 3 if wake testing is required. Otherwise the jumper should be left in the default position of 1 and 2.

---

**NOTE:** The 3.3-V VAUX power supply has a limited current capability. According to the PCI Express Electromechanical Spec, the 3.3-V VAUX will have a maximum current of 375 mA. Because of the limited current of 3.3-V VAUX, it is recommended to plug only one device into the TUSB73X0. If the Jumper Shunt is left on pins 1 and 2 of J40, this current limitation does not exist and therefore all ports of the TUSB73X0 can be used.

---

### 2.2 VBUS

VBUS for all of the USB ports comes from the IDE Power Connector (J5).

### 2.3 PCI Express Slot Options

Because the TUSB73X0 EVM boards are PCI Express X1, they can be used in any PCI Express Slot (X1, X4, X8, or X16) on a typical motherboard. The boards can be used in either a PCI Express Gen1 (2.5 Gbps) or Gen2 (5 Gbps) slot. Because of the speed of USB3 (5 Gbps), if used in a PCI Express Gen1 slot, the performance of the TUSB7320 or TUSB7340 will be negatively impacted. For this reason, it is recommended to always insert the EVM board into a PCI Express Gen2 slot.



## ***Bringup***

---

---

---

Below are the steps to bring up the EVM board in a typical system:

1. Remove the power plug from the PC power supply.
2. Make sure the Jumper Shunts are populated on J26 and J40.
3. Insert the EVM board into a PCI Express slot. It is recommended to use a PCI Express Gen2 slot if one is available.
4. Insert an IDE Power Connector into J5 of the EVM board.
5. Insert the power plug into the PC power supply.
6. Turn the PC on. Once the PC is turned on, all of the green LEDs should be ON. If LED D5 is not active, please check to make sure the jumper shunt on J40 is populated. If none of the green LEDs (D1 thru D4) for each USB Port are active, please check to make sure the Jumper Shunt on J26 is populated and an IDE Power connector is plugged into J5.
7. Once the PC has booted into Windows 7, you will need to install the TI xHCI driver. If the driver has already been installed on your PC, then you can proceed step 8. Otherwise, you will need to install the xHCI driver by running the TI xHCI driver setup utility.
8. You can now insert devices into the USB ports.

## **WAKE Testing Setup**

---

---

The EVM board can be used to test the WAKE functionality of the TUSB73X0. By default, the EVM is not configured to support wake testing. Please configure the EVM according to the following if WAKE is required:

1. Move the Jumper Shunt on J40 to pins 2 and 3.
2. Make sure there is no Jumper Shunt on J22.
3. Use a dedicated 5-V power supply for VBUS. Do NOT use the IDE Power connector provided from the system power supply. The reason for not using the IDE power from system power supply is when the system is put in a sleep or hibernate state, the power on the IDE Power connector will be turned off.

---

**NOTE:** For some motherboards, WAKE from a PCIe slot is not supported or is only supported on PCIe X1 slots. Please make sure to use a motherboard that supports WAKE from any PCIe slot.

---

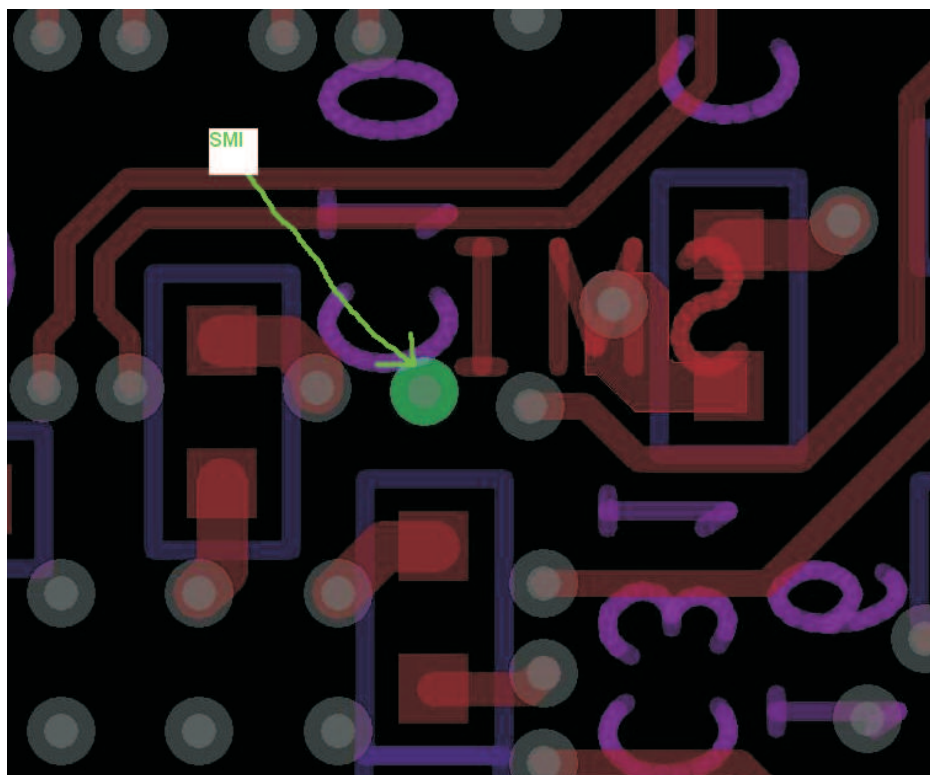
## *SMI Support*

---

---

The SMI pin from the TUSB7320 is brought out to a header labeled SMI. This header is located to the left of J22.

The SMI pin from the TUSB7340 is brought out to a via located on the bottom of board near U1. The via is located between C10 and C34 and just above C31.



**Figure 3. SMI via Location for TUSB7340 DEMO EVM REV B**

## ***Schematics***

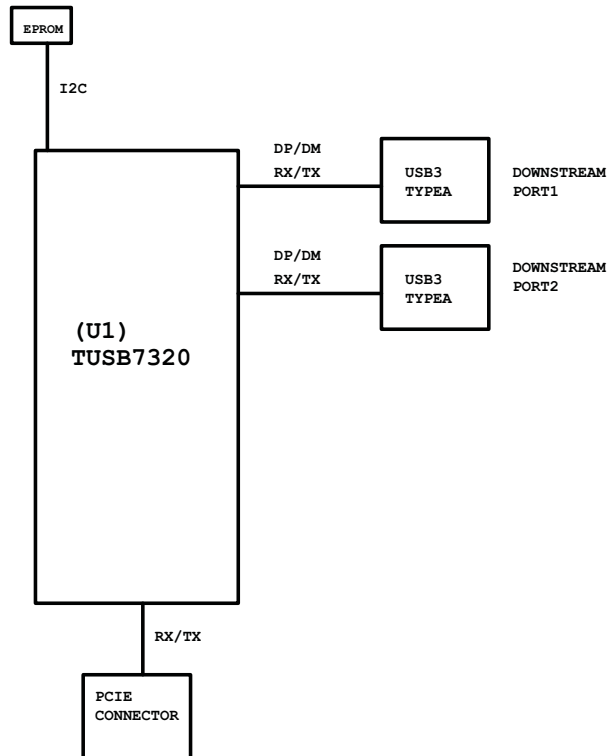
---

---

---

The following pages contain schematics for the TUSB7320 and TUSB7340.

# 1 TUSB7320 DEMO EVM REV B Schematics



**VIA AND TRACE REQUIREMENTS:**


- MIN VIA PAD SIZE 20mils
- MIN spacing between trace and pad is 5mils
- MIN spacing between VIA and pad is 5mils
- MIN width of trace is 4mils

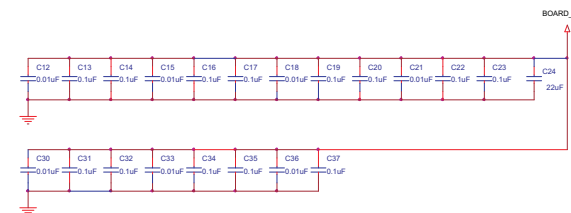
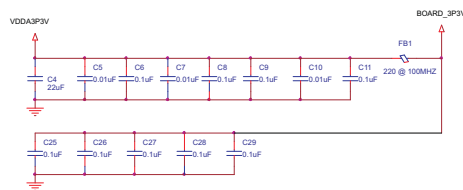
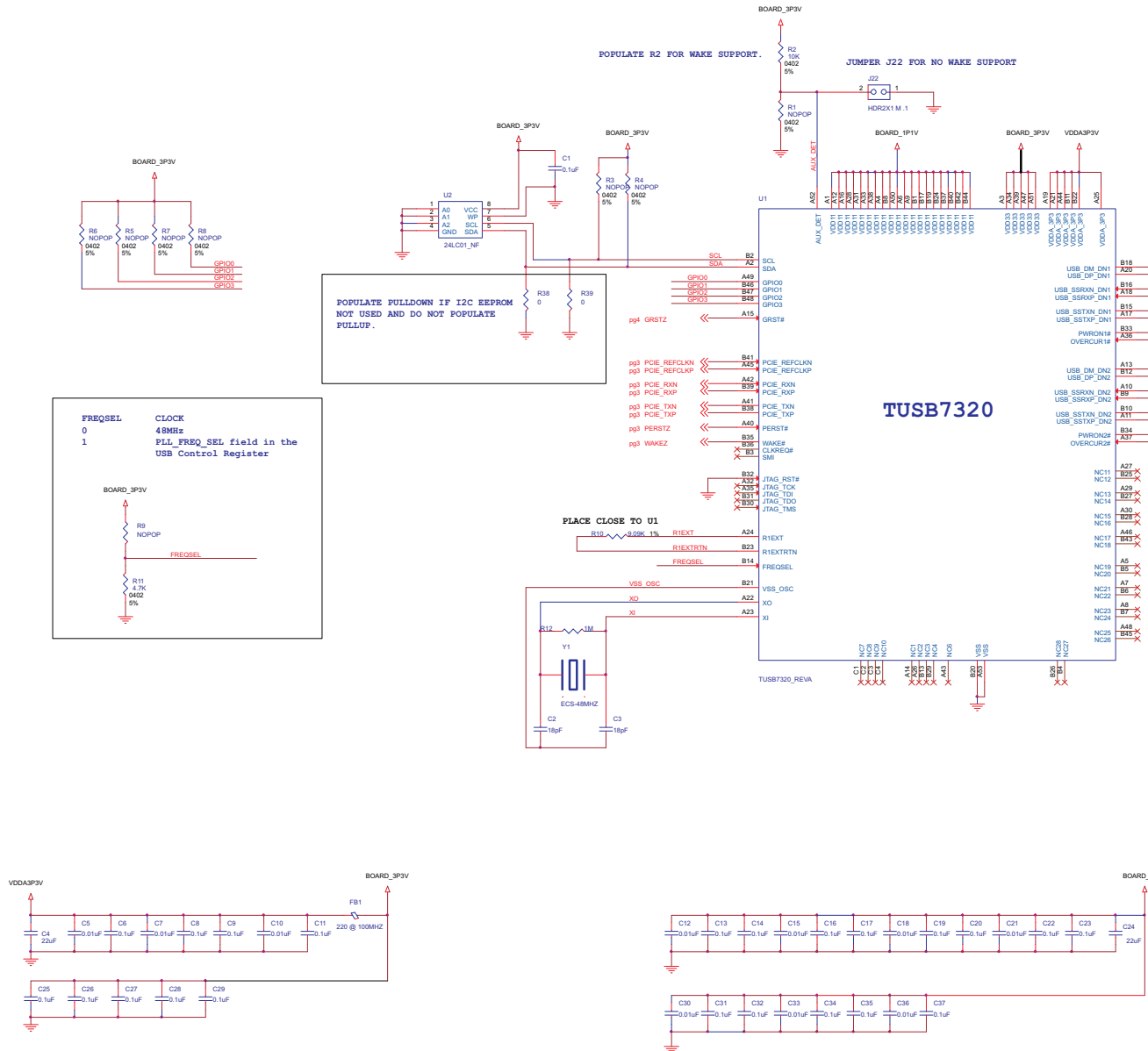
**IMPEDANCE REQUIREMENTS:**

- USB\_DP/M must be 90-ohm differential (+/-15%)
- USB\_SSTXP/N must be 90-ohms differential (+/-15%)
- USB\_SSRXP/N must be 90-ohms differential (+/-15%)
- PCIE\_TXP/N must be 100-ohms differential (+/-10%)
- PCIE\_RXP/N must be 100-ohms differential (+/-10%)
- PCIE\_REFCLKP/N must be 100-ohms differential (+/-10%)

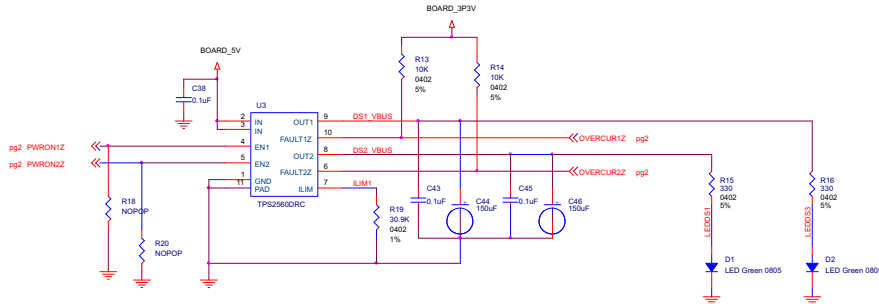
**LENGTH MATCHING REQUIREMENTS:**

- USB\_DP/M within 25mils.
- USB\_SSTXP/N within 5mils
- USB\_SSRXP/N within 5mils
- PCIE\_TXP/N within 5mils
- PCIE\_RXP/N within 5mils
- PCIE\_REFCLKP/N within 25mils.

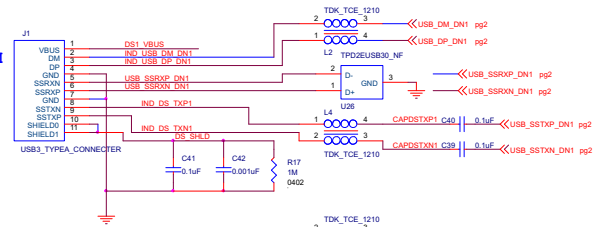
 <b>TEXAS INSTRUMENTS</b>	
TUSB7320 DEMO REV B	
SIZE B	DWG NO:
SCALE: NONE	Tuesday, March 08, 2011 Sheet 1 of 4



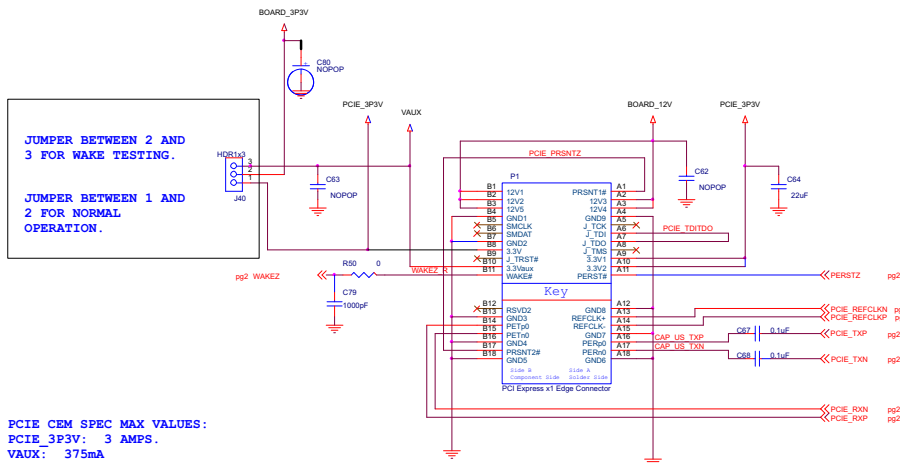
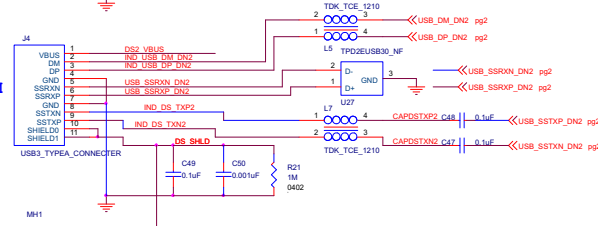
<b>TEXAS INSTRUMENTS</b>	
TUSB7320	
SIZE C	DWG NO:
SCALE: NONE	Tuesday, March 22, 2011 Sheet 2 of 4



**DOWNSTREAM PORT1**

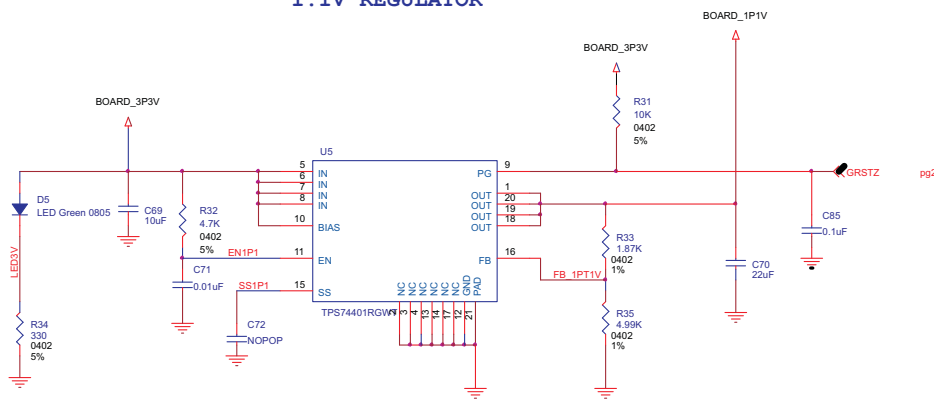


**DOWNSTREAM PORT2**



<b>TEXAS INSTRUMENTS</b>	
USB3 AND PCIe CONNECTORS	
SIZE C	DWG NO:
SCALE: NONE	Monday, March 21, 2011 Sheet 3 of 4

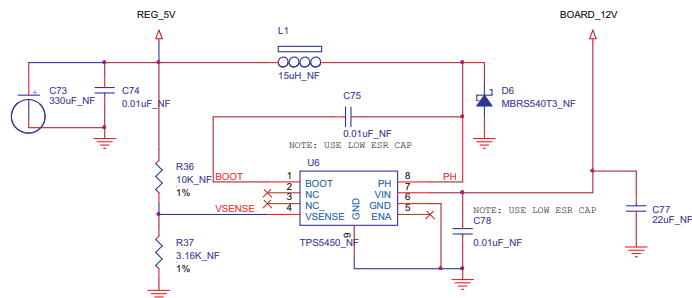
1.1V REGULATOR



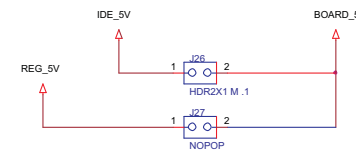
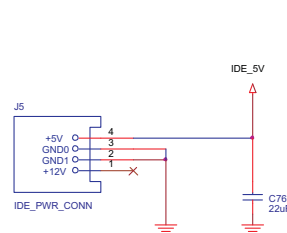
R33	R35	OUTPUT
1.13K	4.53K	1.0V
1.37K	4.42K	1.05V
1.87K	4.99K	1.1V (DEFAULT)
2.49K	4.99K	1.2V

5V VBUS OPTIONS

OPTION 1: 5V REGULATOR



OPTION 2: 5V FROM IDE CONNECTOR

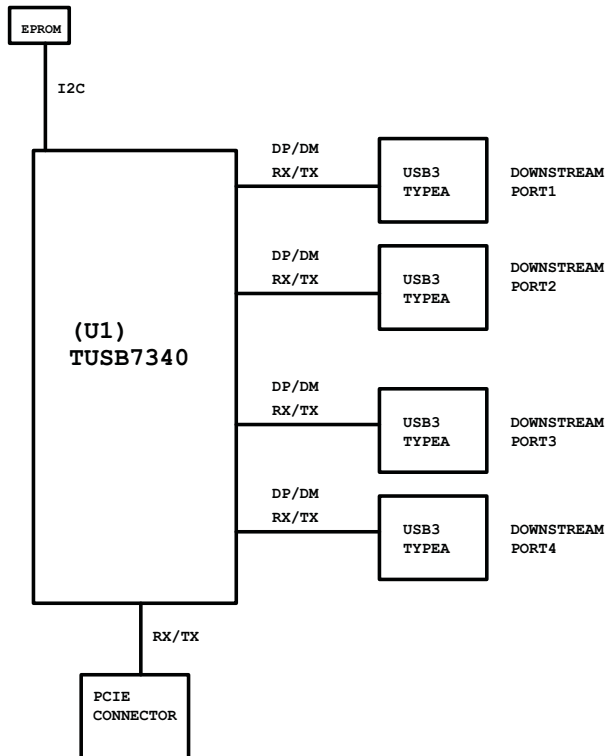


NOTE: ONLY POPULATE ONE OPTION

POWER	
SIZE B	DWG NO:
SCALE: NONE	Tuesday, March 22, 2011 Sheet 4 of 4



## 2 TUSB7340 DEMO EVM REV B Schematics



**VIA AND TRACE REQUIREMENTS:**

- MIN VIA PAD SIZE 20mils
- MIN spacing between trace and pad is 5mils
- MIN spacing between VIA and pad is 5mils
- MIN width of trace is 4mils

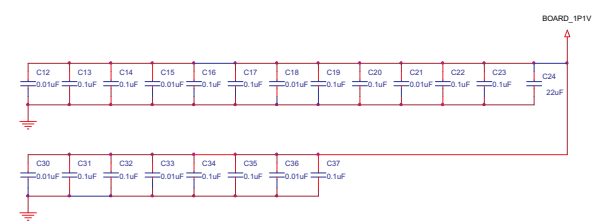
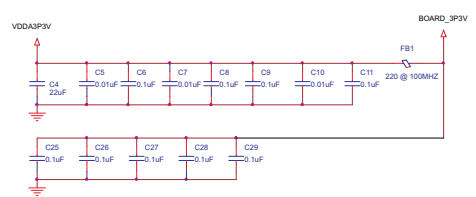
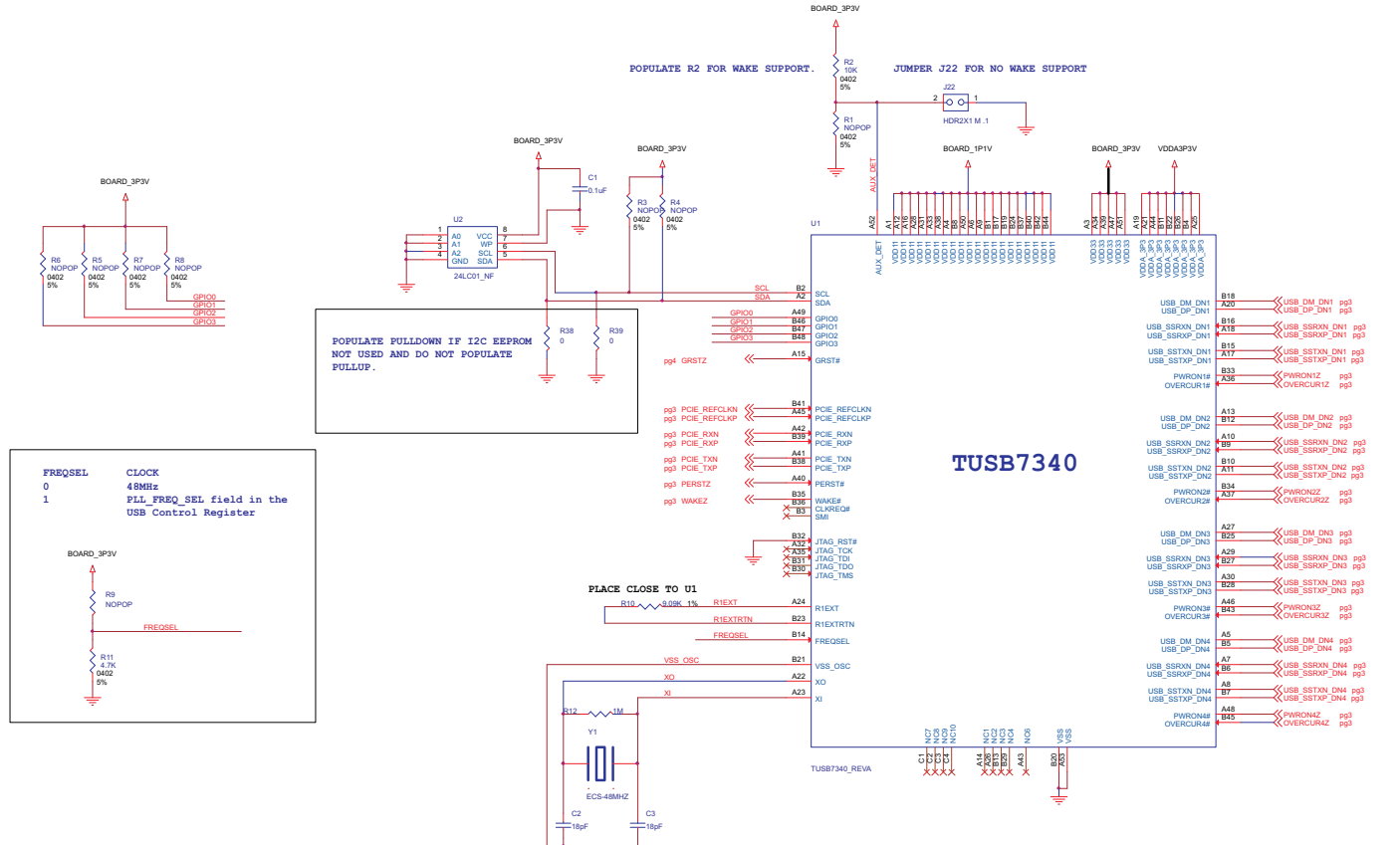
**IMPEDANCE REQUIREMENTS:**

- USB\_DP/M must be 90-ohm differential (+/-15%)
- USB\_SSTXP/N must be 90-ohms differential (+/-15%)
- USB\_SSRXP/N must be 90-ohms differential (+/-15%)
- PCIE\_TXP/N must be 100-ohms differential (+/-10%)
- PCIE\_RXP/N must be 100-ohms differential (+/-10%)
- PCIE\_REFCLKP/N must be 100-ohms differential (+/-10%)

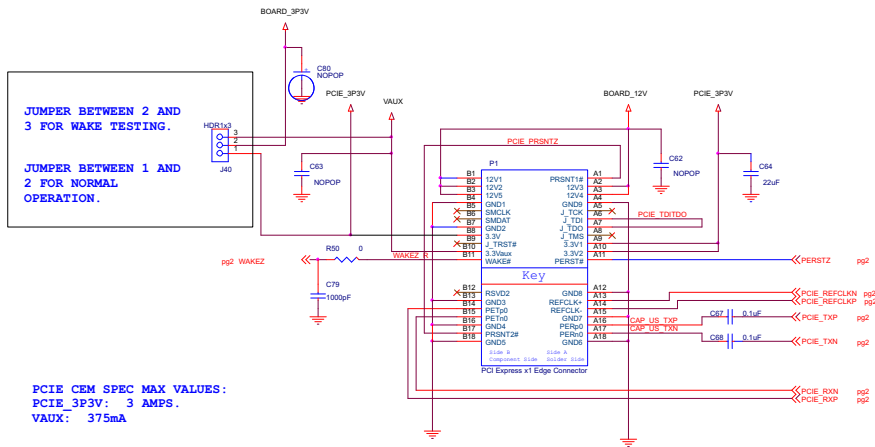
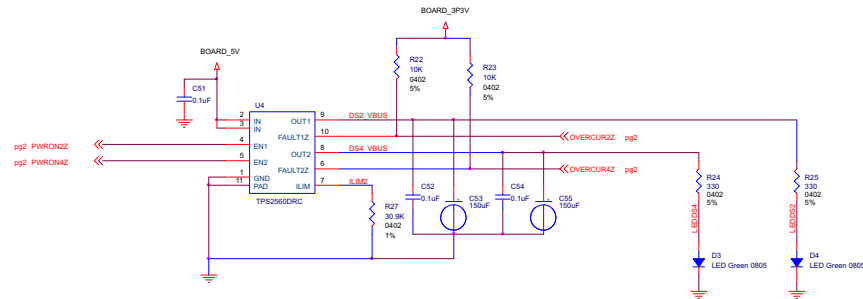
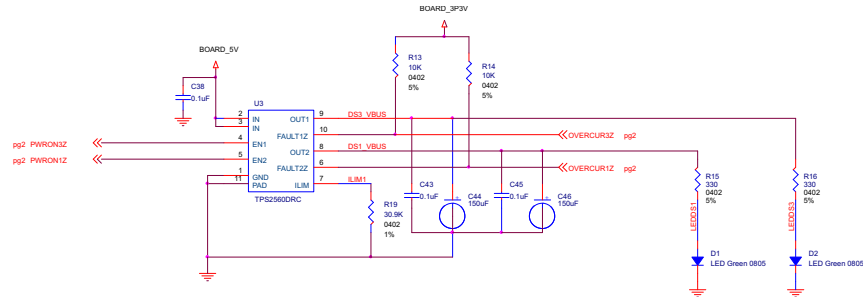
**LENGTH MATCHING REQUIREMENTS:**

- USB\_DP/M within 25mils.
- USB\_SSTXP/N within 5mils
- USB\_SSRXP/N within 5mils
- PCIE\_TXP/N within 5mils
- PCIE\_RXP/N within 5mils
- PCIE\_REFCLKP/N within 25mils.

<b>TEXAS INSTRUMENTS</b>	
TUSB7340_DEMO_REV B	
SIZE B	DWG NO:
SCALE: NONE	Tuesday, March 08, 2011 Sheet 1 of 4



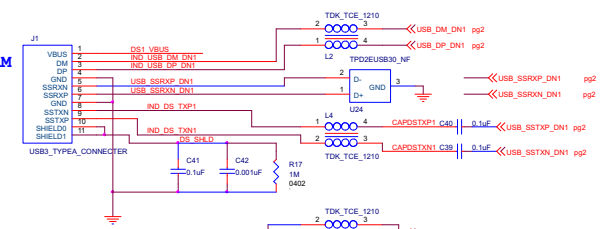
<b>TEXAS INSTRUMENTS</b>	
TUSB7340	
SIZE C	DWG NO:
SCALE: NONE	Wednesday, February 23, 2011 Sheet 2 of 4



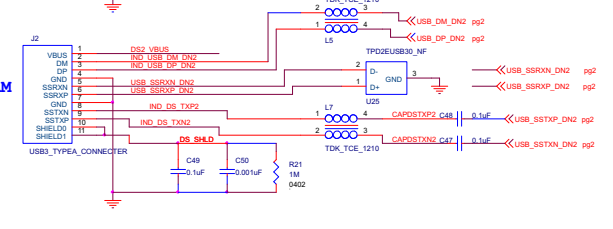
JUMPER BETWEEN 2 AND 3 FOR WAKE TESTING.  
 JUMPER BETWEEN 1 AND 2 FOR NORMAL OPERATION.

PCI CE M SPEC MAX VALUES:  
 PCIe 3P3V: 3 AMPS.  
 VAUX: 375mA

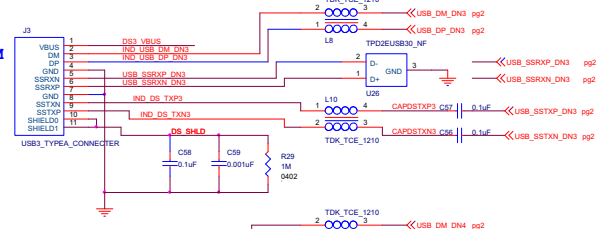
**DOWNSTREAM PORT1**



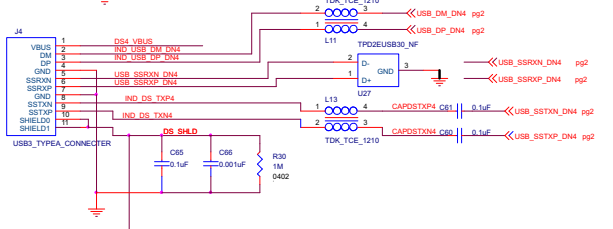
**DOWNSTREAM PORT2**



**DOWNSTREAM PORT3**

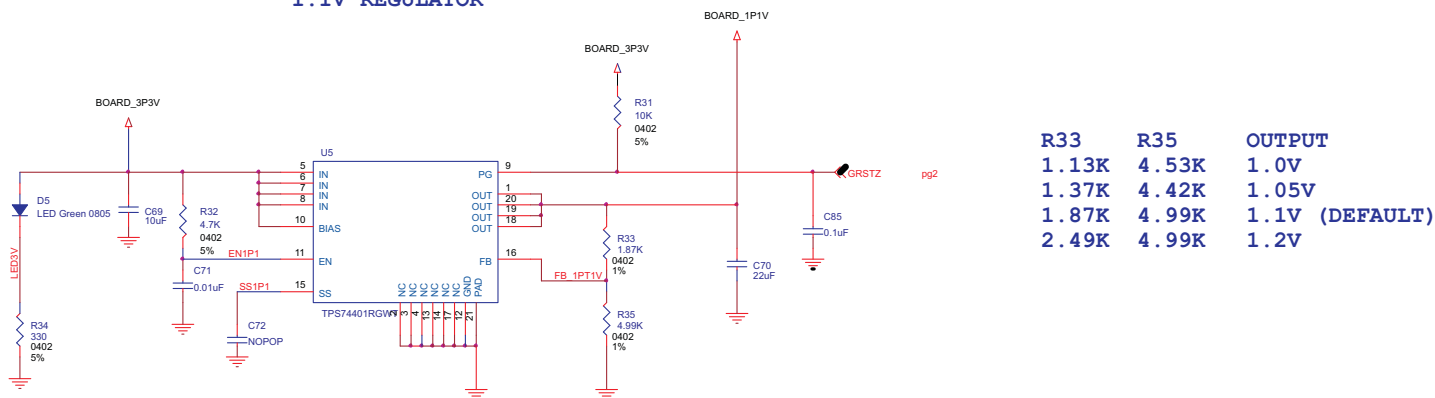


**DOWNSTREAM PORT4**



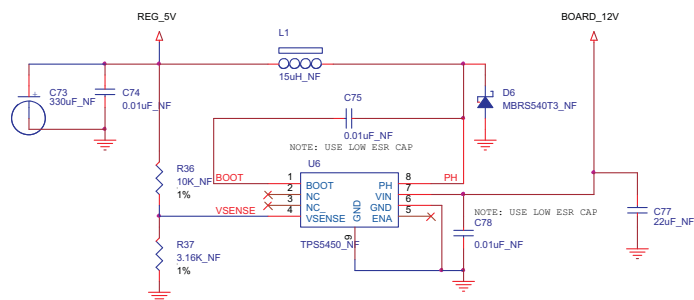
<b>TEXAS INSTRUMENTS</b>	
USB3 AND PCIe CONNECTORS	
SIZE C	DWG NO:
SCALE: NONE    Wednesday, February 23, 2011    Sheet: 3 of 4	

1.1V REGULATOR

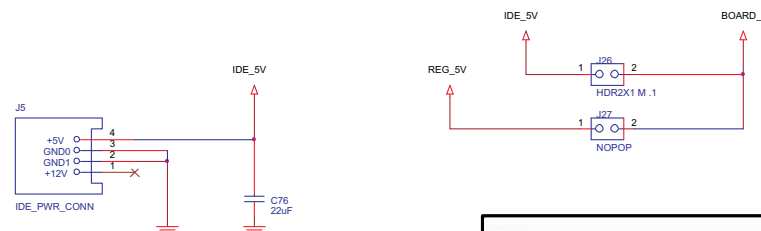


5V VBUS OPTIONS

OPTION 1: 5V REGULATOR



OPTION 2: 5V FROM IDE CONNECTOR



NOTE: ONLY POPULATE ONE OPTION

TEXAS INSTRUMENTS

POWER

SIZE B	DWG NO:
SCALE: NONE	Friday, December 03, 2010 Sheet 4 of 4

## Appendix A Bill of Materials

The below table is the bill of materials for the TUSB7320 DEMO EVM REVB board. The rows marked in yellow are components that are not populated on the EVM board.

**Table 1. TUSB7320 DEMO REVB BOM**

Item	Quantity	Reference	Part	Footprint	Tolerance	Manufacturer	Manufacturer PN
1	35	C1,C6,C8,C9,C11,C13,C14,C16,C17,C19,C20,C22,C23,C25,C26,C27,C28,C29,C31,C32,C34,C35,C37,C38,C39,C40,C41,C43,C45,C47,C48,C49,C67,C68,C85	0.1µF	402			
2	2	C2,C3	18pF	402			
3	3	C4,C24,C70	22µF	805			
4	11	C5,C7,C10,C12,C15,C18,C21,C30,C33,C36,C71	0.01µF	402			
5	2	C42,C50	0.001µF	402			
6	2	C44,C46	150µF	CASE_D		Panasonic	EEEF1A151AP
7	1	C62	NOPOP	1210			
8	1	C63	NOPOP	805			
9	2	C64,C76	22µF	1210			
10	1	C69	10µF	805			
11	1	C72	NOPOP	402			
12	1	C73	330µF_NF	THCAP_2P5MM		Panasonic	ECA-1CM331
13	3	C74,C75,C78	0.01µF_NF	402			
14	1	C77	22µF_NF	1210			
15	1	C79	1000pF	402			
16	1	C80	NOPOP	7343			
17	3	D1,D2,D5	LED Green 0805	805		Lumex	SML-LX0805GC-TR
18	1	D6	MBRS540T3_NF	DIODE_SMC		On Semiconductor	MBRS540T3G
19	1	FB1	220 @ 100MHZ	603		MuRata	BLM18EG221SN1D
20	2	J1,J4	USB3_TYPEA	USB3_TYPEA		MainSuper	AK2SA009K1
21	1	J5	IDE_PWR_CONN	IDEPWR		Molex	15-24-4441
22	2	J22,J26	HDR2X1 M.1	HDR_2X1			
23	1	J27	NOPOP	HDR_2X1			
24	1	J40	HDR1x3	berg1x3			
25	1	L1	15µH_NF	DR127		Coiltronics	DR127-150-R
26	4	L2,L4,L5,L7	TDK_TCE_1210	TDK_TCE_1210		TDK	TCE_1210_900_2P_T
27	2	MH1,MH2	PLATED_MH	MH_125mil			
28	1	P1	PCIe x1 Edge	PCIe_X1			
29	10	R1,R3,R4,R5,R6,R7,R8,R9, R18,R20	NOPOP	402	5%		
30	4	R2,R13,R14,R31	10K	402	5%		
31	1	R10	9.09K	402	1%		
32	2	R11,R32	4.7K	402	5%		
33	3	R12,R17,R21	1M	402	5%		
34	3	R15,R16,R34	330	402	5%		
35	1	R19	30.9K	402	1%		
36	1	R33	1.87K	402	1%		
37	1	R35	4.99K	402	1%		
38	1	R36	10K_NF	402	1%		
39	1	R37	3.16K_NF	402	1%		

**Table 1. TUSB7320 DEMO REVB BOM (continued)**

Item	Quantity	Reference	Part	Footprint	Tolerance	Manufacturer	Manufacturer PN
40	3	R38,R39,R50	0	402	5%		
41	1	U1	TUSB7320QFN	100_QFN		TI	TUSB7320QFN
42	1	U2	24LC01_NF	8_SOIC		MicroChip Tech	24LC01BT-I/SN
43	1	U3	TPS2560DRC	10_DRC		TI	TPS2560DRC
44	1	U5	TPS74401RGWT	20_RGW		TI	TPS74401RGWT
45	1	U6	TPS5450_NF	DDA		TI	TPS5450DDAR
46	2	U26,U27	TPD2EUSB30	DRT_sot23		TI	TPD2EUSB30DRT
47	1	Y1	ECS-48MHZ	ECX-53B		Abracon	ABM3B-48.000MHZ-B2-T
48	2		4-40x1/4 Machine Screw Phillips			Digikey	H342-ND
49	1		PCI Bracket			General Stamping & Manufacturing Corp.	ME-440-2AT-BB
50	1	J26,J40	Jump Shunt			Tyco	881545-2

The below table is the bill of materials for the TUSB7340 DEMO EVM REVB board. The rows marked in yellow are components that are not populated on the EVM board.

**Table 2. TUSB7340 DEMO REVB BOM**

Item	Quantity	Reference	Part	Footprint	Tolerance	Manufacturer	Manufacturer PN
1	44	C1,C6,C8,C9,C11,C13,C14,C16,C17,C19,C20,C22,C23,C25,C26,C27,C28,C29,C31,C32,C34,C35,C37,C38,C39,C40,C41,C43,C45,C47,C48,C49,C51,C52,C54,C56,C57,C58,C60,C61,C65,C67,C68, C85	0.1µF	402			
2	2	C2,C3	18pF	402			
3	3	C4,C24,C70	22µF	805			
4	11	C5,C7,C10,C12,C15,C18,C21,C30,C33,C36,C71	0.01µF	402			
5	4	C42,C50,C59,C66	0.001µF	402			
6	4	C44,C46,C53,C55	150µF	CASE_D		Panasonic	EEEF1A151AP
7	1	C62	NOPOP	1210			
8	1	C63	NOPOP	805			
9	2	C64,C76	22µF	1210			
10	1	C69	10µF	805			
11	1	C72	NOPOP	402			
12	1	C73	330µF_NF	THCAP_2P5MM		Panasonic	ECA-1CM331
13	3	C74,C75,C78	0.01µF_NF	402			
14	1	C77	22µF_NF	1210			
15	1	C79	1000pF	402			
16	1	C80	NOPOP	7343		XX	XX
17	5	D1,D2,D3,D4,D5	LED Green 0805	805		Lumex	SML-LX0805GC-TR
18	1	D6	MBRS540T3_NF	DIODE_SMC		On Semiconductor	MBRS540T3G
19	1	FB1	220 @ 100MHZ	603		MuRata	BLM18EG221SN1D
20	4	J1,J2,J3,J4	USB3_TYPEA	USB3_TYPEA		MainSuper	AK2SA009K1
21	1	J5	IDE_PWR_CONN	IDE_PWR		Molex	15-24-4441
22	2	J22,J26	HDR2X1 M .1	HDR_2X1			
23	1	J27	NOPOP	HDR_2X1			
24	1	J40	HDR1x3	berg1x3			

**Table 2. TUSB7340 DEMO REVB BOM (continued)**

Item	Quantity	Reference	Part	Footprint	Tolerance	Manufacturer	Manufacturer PN
25	1	L1	15 $\mu$ H_NF	DR127		Coiltronics	DR127-150-R
26	8	L2,L4,L5,L7,L8,L10, L11, L13	TDK_TCE_1210	TDK_TCE_1210		TDK	TCE_1210_900_ 2P_T
27	2	MH1,MH2	PLATED_MH	MH_125mil			
28	1	P1	PCI Express x1 Edge	PCle_X1			
29	8	R1,R3,R4,R5,R6,R7, R8,R9	NOPOP	402	5%		
30	6	R2,R13,R14,R22,R23, R31	10K	402	5%		
31	1	R10	9.09K	402	1%		
32	2	R11,R32	4.7K	402	5%		
33	5	R12,R17,R21,R29,R30	1M	402	5%		
34	5	R15,R16,R24,R25,R34	330	402	5%		
35	2	R19,R27	30.9K	402	1%		
36	1	R33	1.87K	402	1%		
37	1	R35	4.99K	402	1%		
38	1	R36	10K_NF	402	1%		
39	1	R37	3.16K_NF	402	1%		
40	3	R38,R39,R50	0	402	5%		
41	1	U1	TUSB7340QFN	100_QFN		TI	TUSB7340QFN
42	1	U2	24LC01_NF	8_SOIC		MicroChip Tech	24LC01BT-I/SN
43	2	U3,U4	TPS2560DRC	10_DRC		TI	TPS2560DRC
44	1	U5	TPS74401RGWT	20_RGW		TI	TPS74401RGWT
45	1	U6	TPS5450_NF	DDA		TI	TPS5450DDAR
46	4	U24,U25,U26,U27	TPD2EUSB30	DRT_sot23		TI	TPD2EUSB30DRT
47	1	Y1	ECS-48MHZ	ECX-53B		Abracon	ABM3B- 48.000MHZ-B2-T
48	2		4-40x1/4 Machine Screw Phillips			Digikey	H342-ND
49	1		PCI Bracket			General Stamping & Manufacturing Corp.	ME-440-2AT-BB
50	2	J26,J40	Jump Shunt			Tyco	881545-2

## EVALUATION BOARD/KIT/MODULE (EVM) ADDITIONAL TERMS

Texas Instruments (TI) provides the enclosed Evaluation Board/Kit/Module (EVM) under the following conditions:

The user assumes all responsibility and liability for proper and safe handling of the goods. Further, the user indemnifies TI from all claims arising from the handling or use of the goods.

Should this evaluation board/kit not meet the specifications indicated in the User's Guide, the board/kit may be returned within 30 days from the date of delivery for a full refund. THE FOREGOING LIMITED WARRANTY IS THE EXCLUSIVE WARRANTY MADE BY SELLER TO BUYER AND IS IN LIEU OF ALL OTHER WARRANTIES, EXPRESSED, IMPLIED, OR STATUTORY, INCLUDING ANY WARRANTY OF MERCHANTABILITY OR FITNESS FOR ANY PARTICULAR PURPOSE. EXCEPT TO THE EXTENT OF THE INDEMNITY SET FORTH ABOVE, NEITHER PARTY SHALL BE LIABLE TO THE OTHER FOR ANY INDIRECT, SPECIAL, INCIDENTAL, OR CONSEQUENTIAL DAMAGES.

Please read the User's Guide and, specifically, the Warnings and Restrictions notice in the User's Guide prior to handling the product. This notice contains important safety information about temperatures and voltages. For additional information on TI's environmental and/or safety programs, please visit [www.ti.com/esh](http://www.ti.com/esh) or contact TI.

No license is granted under any patent right or other intellectual property right of TI covering or relating to any machine, process, or combination in which such TI products or services might be or are used. TI currently deals with a variety of customers for products, and therefore our arrangement with the user is not exclusive. TI assumes no liability for applications assistance, customer product design, software performance, or infringement of patents or services described herein.

## REGULATORY COMPLIANCE INFORMATION

As noted in the EVM User's Guide and/or EVM itself, this EVM and/or accompanying hardware may or may not be subject to the Federal Communications Commission (FCC) and Industry Canada (IC) rules.

For EVMs **not** subject to the above rules, this evaluation board/kit/module is intended for use for ENGINEERING DEVELOPMENT, DEMONSTRATION OR EVALUATION PURPOSES ONLY and is not considered by TI to be a finished end product fit for general consumer use. It generates, uses, and can radiate radio frequency energy and has not been tested for compliance with the limits of computing devices pursuant to part 15 of FCC or ICES-003 rules, which are designed to provide reasonable protection against radio frequency interference. Operation of the equipment may cause interference with radio communications, in which case the user at his own expense will be required to take whatever measures may be required to correct this interference.

### General Statement for EVMs including a radio

*User Power/Frequency Use Obligations:* This radio is intended for development/professional use only in legally allocated frequency and power limits. Any use of radio frequencies and/or power availability of this EVM and its development application(s) must comply with local laws governing radio spectrum allocation and power limits for this evaluation module. It is the user's sole responsibility to only operate this radio in legally acceptable frequency space and within legally mandated power limitations. Any exceptions to this are strictly prohibited and unauthorized by Texas Instruments unless user has obtained appropriate experimental/development licenses from local regulatory authorities, which is responsibility of user including its acceptable authorization.

### For EVMs annotated as FCC – FEDERAL COMMUNICATIONS COMMISSION Part 15 Compliant

#### Caution

This device complies with part 15 of the FCC Rules. Operation is subject to the following two conditions: (1) This device may not cause harmful interference, and (2) this device must accept any interference received, including interference that may cause undesired operation.

Changes or modifications not expressly approved by the party responsible for compliance could void the user's authority to operate the equipment.

### FCC Interference Statement for Class A EVM devices

This equipment has been tested and found to comply with the limits for a Class A digital device, pursuant to part 15 of the FCC Rules. These limits are designed to provide reasonable protection against harmful interference when the equipment is operated in a commercial environment. This equipment generates, uses, and can radiate radio frequency energy and, if not installed and used in accordance with the instruction manual, may cause harmful interference to radio communications. Operation of this equipment in a residential area is likely to cause harmful interference in which case the user will be required to correct the interference at his own expense.



### **FCC Interference Statement for Class B EVM devices**

This equipment has been tested and found to comply with the limits for a Class B digital device, pursuant to part 15 of the FCC Rules. These limits are designed to provide reasonable protection against harmful interference in a residential installation. This equipment generates, uses and can radiate radio frequency energy and, if not installed and used in accordance with the instructions, may cause harmful interference to radio communications. However, there is no guarantee that interference will not occur in a particular installation. If this equipment does cause harmful interference to radio or television reception, which can be determined by turning the equipment off and on, the user is encouraged to try to correct the interference by one or more of the following measures:

- Reorient or relocate the receiving antenna.
- Increase the separation between the equipment and receiver.
- Connect the equipment into an outlet on a circuit different from that to which the receiver is connected.
- Consult the dealer or an experienced radio/TV technician for help.

### **For EVMs annotated as IC – INDUSTRY CANADA Compliant**

This Class A or B digital apparatus complies with Canadian ICES-003.

Changes or modifications not expressly approved by the party responsible for compliance could void the user's authority to operate the equipment.

### **Concerning EVMs including radio transmitters**

This device complies with Industry Canada licence-exempt RSS standard(s). Operation is subject to the following two conditions: (1) this device may not cause interference, and (2) this device must accept any interference, including interference that may cause undesired operation of the device.

### **Concerning EVMs including detachable antennas**

Under Industry Canada regulations, this radio transmitter may only operate using an antenna of a type and maximum (or lesser) gain approved for the transmitter by Industry Canada. To reduce potential radio interference to other users, the antenna type and its gain should be so chosen that the equivalent isotropically radiated power (e.i.r.p.) is not more than that necessary for successful communication.

This radio transmitter has been approved by Industry Canada to operate with the antenna types listed in the user guide with the maximum permissible gain and required antenna impedance for each antenna type indicated. Antenna types not included in this list, having a gain greater than the maximum gain indicated for that type, are strictly prohibited for use with this device.

Cet appareil numérique de la classe A ou B est conforme à la norme NMB-003 du Canada.

Les changements ou les modifications pas expressément approuvés par la partie responsable de la conformité ont pu vider l'autorité de l'utilisateur pour actionner l'équipement.

### **Concernant les EVMs avec appareils radio**

Le présent appareil est conforme aux CNR d'Industrie Canada applicables aux appareils radio exempts de licence. L'exploitation est autorisée aux deux conditions suivantes : (1) l'appareil ne doit pas produire de brouillage, et (2) l'utilisateur de l'appareil doit accepter tout brouillage radioélectrique subi, même si le brouillage est susceptible d'en compromettre le fonctionnement.

### **Concernant les EVMs avec antennes détachables**

Conformément à la réglementation d'Industrie Canada, le présent émetteur radio peut fonctionner avec une antenne d'un type et d'un gain maximal (ou inférieur) approuvé pour l'émetteur par Industrie Canada. Dans le but de réduire les risques de brouillage radioélectrique à l'intention des autres utilisateurs, il faut choisir le type d'antenne et son gain de sorte que la puissance isotrope rayonnée équivalente (p.i.r.e.) ne dépasse pas l'intensité nécessaire à l'établissement d'une communication satisfaisante.

Le présent émetteur radio a été approuvé par Industrie Canada pour fonctionner avec les types d'antenne énumérés dans le manuel d'usage et ayant un gain admissible maximal et l'impédance requise pour chaque type d'antenne. Les types d'antenne non inclus dans cette liste, ou dont le gain est supérieur au gain maximal indiqué, sont strictement interdits pour l'exploitation de l'émetteur.

## **【Important Notice for Users of this Product in Japan】**

### **This development kit is NOT certified as Confirming to Technical Regulations of Radio Law of Japan**

If you use this product in Japan, you are required by Radio Law of Japan to follow the instructions below with respect to this product:

1. Use this product in a shielded room or any other test facility as defined in the notification #173 issued by Ministry of Internal Affairs and Communications on March 28, 2006, based on Sub-section 1.1 of Article 6 of the Ministry's Rule for Enforcement of Radio Law of Japan,
2. Use this product only after you obtained the license of Test Radio Station as provided in Radio Law of Japan with respect to this product, or
3. Use of this product only after you obtained the Technical Regulations Conformity Certification as provided in Radio Law of Japan with respect to this product. Also, please do not transfer this product, unless you give the same notice above to the transferee. Please note that if you could not follow the instructions above, you will be subject to penalties of Radio Law of Japan.

**Texas Instruments Japan Limited**  
**(address) 24-1, Nishi-Shinjuku 6 chome, Shinjuku-ku, Tokyo, Japan**

<http://www.tij.co.jp>

#### **【ご使用にあたっての注】**

本開発キットは技術基準適合証明を受けておりません。

本製品のご使用に際しては、電波法遵守のため、以下のいずれかの措置を取っていただく必要がありますのでご注意ください。

1. 電波法施行規則第6条第1項第1号に基づく平成18年3月28日総務省告示第173号で定められた電波暗室等の試験設備でご使用いただく。
2. 実験局の免許を取得後ご使用いただく。
3. 技術基準適合証明を取得後ご使用いただく。

なお、本製品は、上記の「ご使用にあたっての注意」を譲渡先、移転先に通知しない限り、譲渡、移転できないものとします。

上記を遵守頂けない場合は、電波法の罰則が適用される可能性があることをご留意ください。

日本テキサス・インスツルメンツ株式会社  
東京都新宿区西新宿6丁目24番1号  
西新宿三井ビル

<http://www.tij.co.jp>

## EVALUATION BOARD/KIT/MODULE (EVM) WARNINGS, RESTRICTIONS AND DISCLAIMERS

**For Feasibility Evaluation Only, in Laboratory/Development Environments.** Unless otherwise indicated, this EVM is not a finished electrical equipment and not intended for consumer use. It is intended solely for use for preliminary feasibility evaluation in laboratory/development environments by technically qualified electronics experts who are familiar with the dangers and application risks associated with handling electrical mechanical components, systems and subsystems. It should not be used as all or part of a finished end product.

Your Sole Responsibility and Risk. You acknowledge, represent and agree that:

1. You have unique knowledge concerning Federal, State and local regulatory requirements (including but not limited to Food and Drug Administration regulations, if applicable) which relate to your products and which relate to your use (and/or that of your employees, affiliates, contractors or designees) of the EVM for evaluation, testing and other purposes.
2. You have full and exclusive responsibility to assure the safety and compliance of your products with all such laws and other applicable regulatory requirements, and also to assure the safety of any activities to be conducted by you and/or your employees, affiliates, contractors or designees, using the EVM. Further, you are responsible to assure that any interfaces (electronic and/or mechanical) between the EVM and any human body are designed with suitable isolation and means to safely limit accessible leakage currents to minimize the risk of electrical shock hazard.
3. You will employ reasonable safeguards to ensure that your use of the EVM will not result in any property damage, injury or death, even if the EVM should fail to perform as described or expected.
4. You will take care of proper disposal and recycling of the EVM's electronic components and packing materials.

**Certain Instructions.** It is important to operate this EVM within TI's recommended specifications and environmental considerations per the user guidelines. Exceeding the specified EVM ratings (including but not limited to input and output voltage, current, power, and environmental ranges) may cause property damage, personal injury or death. If there are questions concerning these ratings please contact a TI field representative prior to connecting interface electronics including input power and intended loads. Any loads applied outside of the specified output range may result in unintended and/or inaccurate operation and/or possible permanent damage to the EVM and/or interface electronics. Please consult the EVM User's Guide prior to connecting any load to the EVM output. If there is uncertainty as to the load specification, please contact a TI field representative. During normal operation, some circuit components may have case temperatures greater than 60°C as long as the input and output are maintained at a normal ambient operating temperature. These components include but are not limited to linear regulators, switching transistors, pass transistors, and current sense resistors which can be identified using the EVM schematic located in the EVM User's Guide. When placing measurement probes near these devices during normal operation, please be aware that these devices may be very warm to the touch. As with all electronic evaluation tools, only qualified personnel knowledgeable in electronic measurement and diagnostics normally found in development environments should use these EVMs.

**Agreement to Defend, Indemnify and Hold Harmless.** You agree to defend, indemnify and hold TI, its licensors and their representatives harmless from and against any and all claims, damages, losses, expenses, costs and liabilities (collectively, "Claims") arising out of or in connection with any use of the EVM that is not in accordance with the terms of the agreement. This obligation shall apply whether Claims arise under law of tort or contract or any other legal theory, and even if the EVM fails to perform as described or expected.

**Safety-Critical or Life-Critical Applications.** If you intend to evaluate the components for possible use in safety critical applications (such as life support) where a failure of the TI product would reasonably be expected to cause severe personal injury or death, such as devices which are classified as FDA Class III or similar classification, then you must specifically notify TI of such intent and enter into a separate Assurance and Indemnity Agreement.

Mailing Address: Texas Instruments, Post Office Box 655303, Dallas, Texas 75265  
Copyright © 2012, Texas Instruments Incorporated

## IMPORTANT NOTICE

Texas Instruments Incorporated and its subsidiaries (TI) reserve the right to make corrections, modifications, enhancements, improvements, and other changes to its products and services at any time and to discontinue any product or service without notice. Customers should obtain the latest relevant information before placing orders and should verify that such information is current and complete. All products are sold subject to TI's terms and conditions of sale supplied at the time of order acknowledgment.

TI warrants performance of its hardware products to the specifications applicable at the time of sale in accordance with TI's standard warranty. Testing and other quality control techniques are used to the extent TI deems necessary to support this warranty. Except where mandated by government requirements, testing of all parameters of each product is not necessarily performed.

TI assumes no liability for applications assistance or customer product design. Customers are responsible for their products and applications using TI components. To minimize the risks associated with customer products and applications, customers should provide adequate design and operating safeguards.

TI does not warrant or represent that any license, either express or implied, is granted under any TI patent right, copyright, mask work right, or other TI intellectual property right relating to any combination, machine, or process in which TI products or services are used. Information published by TI regarding third-party products or services does not constitute a license from TI to use such products or services or a warranty or endorsement thereof. Use of such information may require a license from a third party under the patents or other intellectual property of the third party, or a license from TI under the patents or other intellectual property of TI.

Reproduction of TI information in TI data books or data sheets is permissible only if reproduction is without alteration and is accompanied by all associated warranties, conditions, limitations, and notices. Reproduction of this information with alteration is an unfair and deceptive business practice. TI is not responsible or liable for such altered documentation. Information of third parties may be subject to additional restrictions.

Resale of TI products or services with statements different from or beyond the parameters stated by TI for that product or service voids all express and any implied warranties for the associated TI product or service and is an unfair and deceptive business practice. TI is not responsible or liable for any such statements.

TI products are not authorized for use in safety-critical applications (such as life support) where a failure of the TI product would reasonably be expected to cause severe personal injury or death, unless officers of the parties have executed an agreement specifically governing such use. Buyers represent that they have all necessary expertise in the safety and regulatory ramifications of their applications, and acknowledge and agree that they are solely responsible for all legal, regulatory and safety-related requirements concerning their products and any use of TI products in such safety-critical applications, notwithstanding any applications-related information or support that may be provided by TI. Further, Buyers must fully indemnify TI and its representatives against any damages arising out of the use of TI products in such safety-critical applications.

TI products are neither designed nor intended for use in military/aerospace applications or environments unless the TI products are specifically designated by TI as military-grade or "enhanced plastic." Only products designated by TI as military-grade meet military specifications. Buyers acknowledge and agree that any such use of TI products which TI has not designated as military-grade is solely at the Buyer's risk, and that they are solely responsible for compliance with all legal and regulatory requirements in connection with such use.

TI products are neither designed nor intended for use in automotive applications or environments unless the specific TI products are designated by TI as compliant with ISO/TS 16949 requirements. Buyers acknowledge and agree that, if they use any non-designated products in automotive applications, TI will not be responsible for any failure to meet such requirements.

Following are URLs where you can obtain information on other Texas Instruments products and application solutions:

### Products

Audio	<a href="http://www.ti.com/audio">www.ti.com/audio</a>
Amplifiers	<a href="http://amplifier.ti.com">amplifier.ti.com</a>
Data Converters	<a href="http://dataconverter.ti.com">dataconverter.ti.com</a>
DLP® Products	<a href="http://www.dlp.com">www.dlp.com</a>
DSP	<a href="http://dsp.ti.com">dsp.ti.com</a>
Clocks and Timers	<a href="http://www.ti.com/clocks">www.ti.com/clocks</a>
Interface	<a href="http://interface.ti.com">interface.ti.com</a>
Logic	<a href="http://logic.ti.com">logic.ti.com</a>
Power Mgmt	<a href="http://power.ti.com">power.ti.com</a>
Microcontrollers	<a href="http://microcontroller.ti.com">microcontroller.ti.com</a>
RFID	<a href="http://www.ti-rfid.com">www.ti-rfid.com</a>
OMAP Mobile Processors	<a href="http://www.ti.com/omap">www.ti.com/omap</a>
Wireless Connectivity	<a href="http://www.ti.com/wirelessconnectivity">www.ti.com/wirelessconnectivity</a>

### Applications

Automotive and Transportation	<a href="http://www.ti.com/automotive">www.ti.com/automotive</a>
Communications and Telecom	<a href="http://www.ti.com/communications">www.ti.com/communications</a>
Computers and Peripherals	<a href="http://www.ti.com/computers">www.ti.com/computers</a>
Consumer Electronics	<a href="http://www.ti.com/consumer-apps">www.ti.com/consumer-apps</a>
Energy and Lighting	<a href="http://www.ti.com/energy">www.ti.com/energy</a>
Industrial	<a href="http://www.ti.com/industrial">www.ti.com/industrial</a>
Medical	<a href="http://www.ti.com/medical">www.ti.com/medical</a>
Security	<a href="http://www.ti.com/security">www.ti.com/security</a>
Space, Avionics and Defense	<a href="http://www.ti.com/space-avionics-defense">www.ti.com/space-avionics-defense</a>
Video and Imaging	<a href="http://www.ti.com/video">www.ti.com/video</a>

TI E2E Community Home Page

[e2e.ti.com](http://e2e.ti.com)

Mailing Address: Texas Instruments, Post Office Box 655303, Dallas, Texas 75265  
Copyright © 2012, Texas Instruments Incorporated