



STEVAL-ILH001V1

250 W electronic ballast demonstration board for metal halide lamps based on the L6562 and ST7LITE39F2

Data Brief

Features

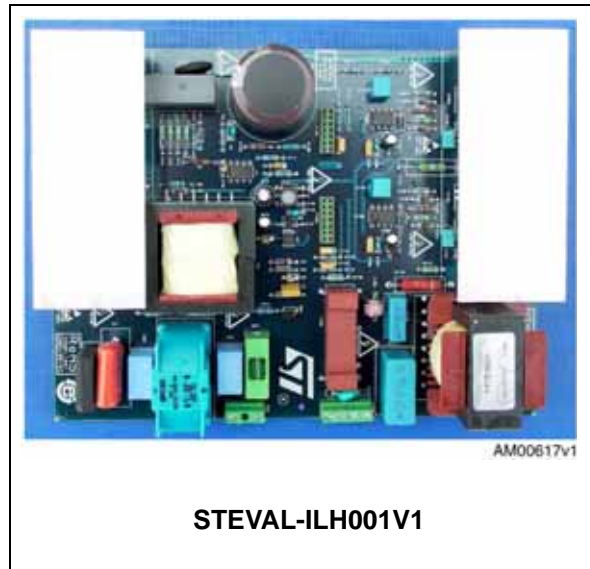
- Input voltage: 90 to 265 Vac, 50 - 60 Hz
- P_{OUT} : 250 W
- Power factor: ≥ 0.94 at 230 Vac
- Full-bridge for output stage working at low frequency to avoid acoustic resonance
- PFC (power factor correction) implemented using the L6562 PFC controller
- Total system efficiency up to 94%
- Current control during warm-up phase
- Power control during steady state

Description

The STEVAL-ILH001V1 demonstration board implements a two-stage electronic ballast for 250 W, HID (high-intensity discharge) metal halide lamps.

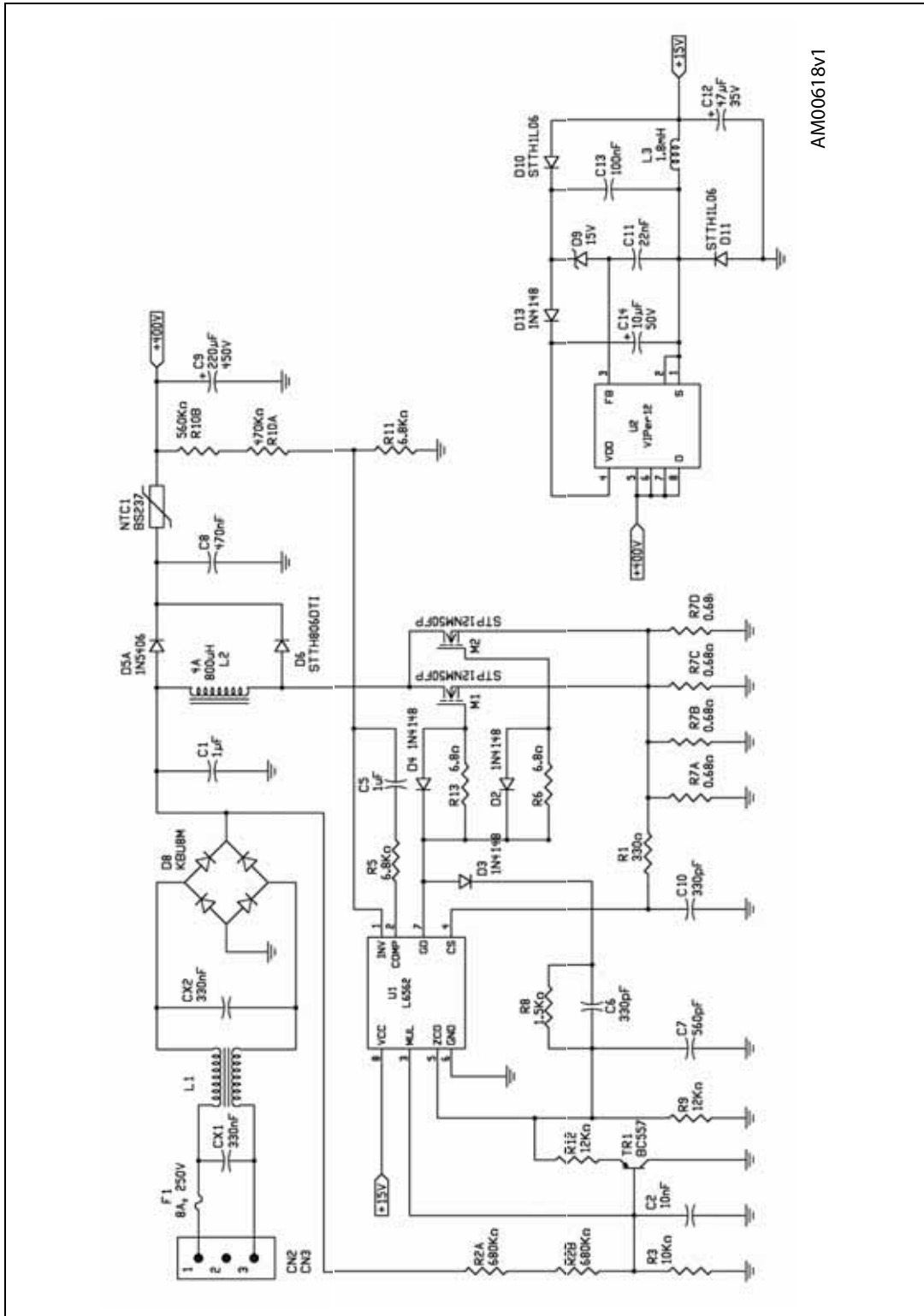
The ballast features a boost converter (PFC controller) working in fixed OFF-time, and a full-bridge inverter to drive a lamp using a low frequency square wave.

The design of the STEVAL-ILH001V1 takes advantage of STMicroelectronics' very large product portfolio. ST components used in the design include: PFC drivers, an inverter driver microcontroller, auxiliary power supply, voltage reference, logic part, amplifier, comparators, and power devices such as power MOSFETs, IGBTs, and fast diodes.



1 Circuit schematic

Figure 1. PFC electrical schematic



AM00618V1



Figure 2. Full bridge electrical scheme

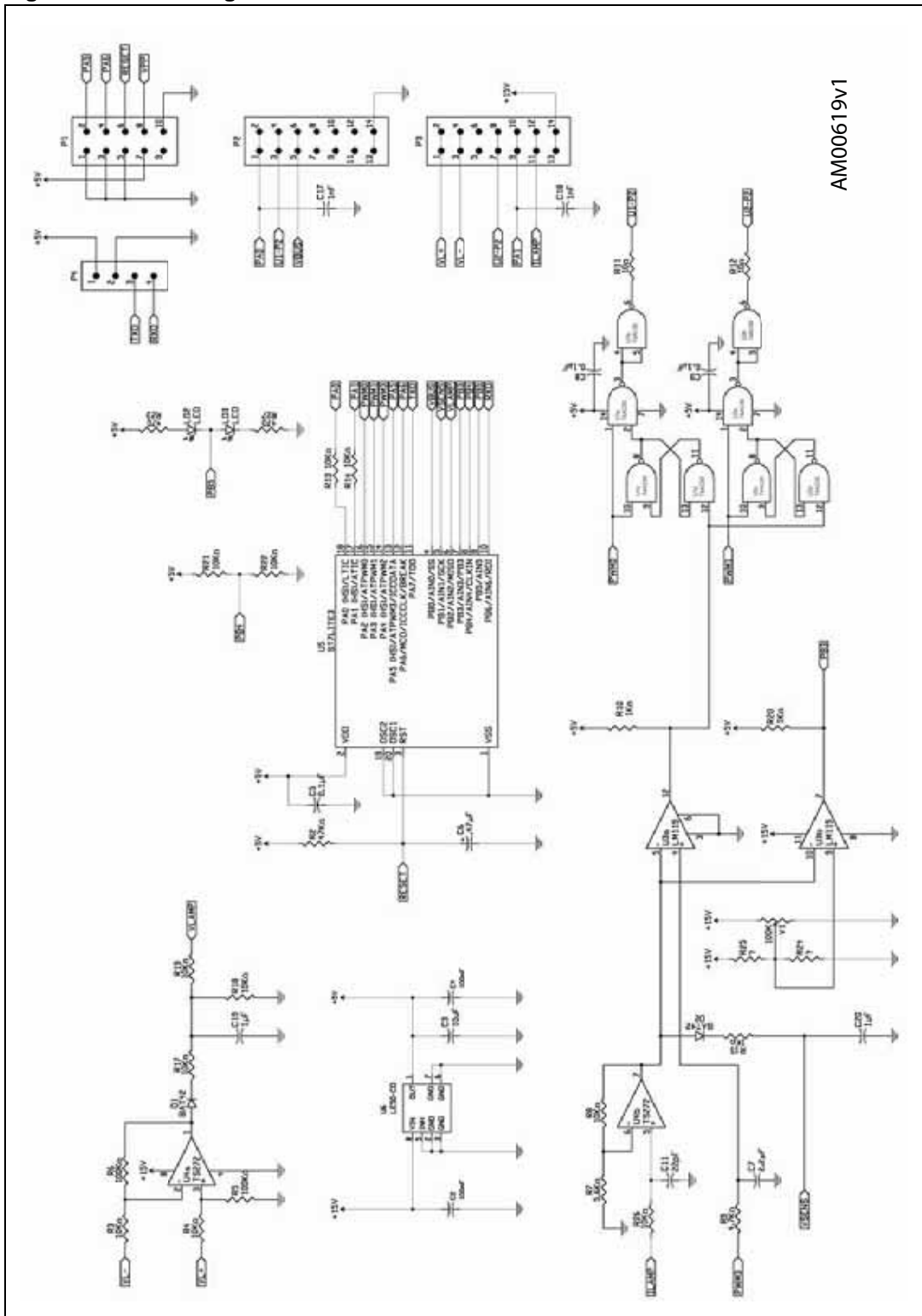
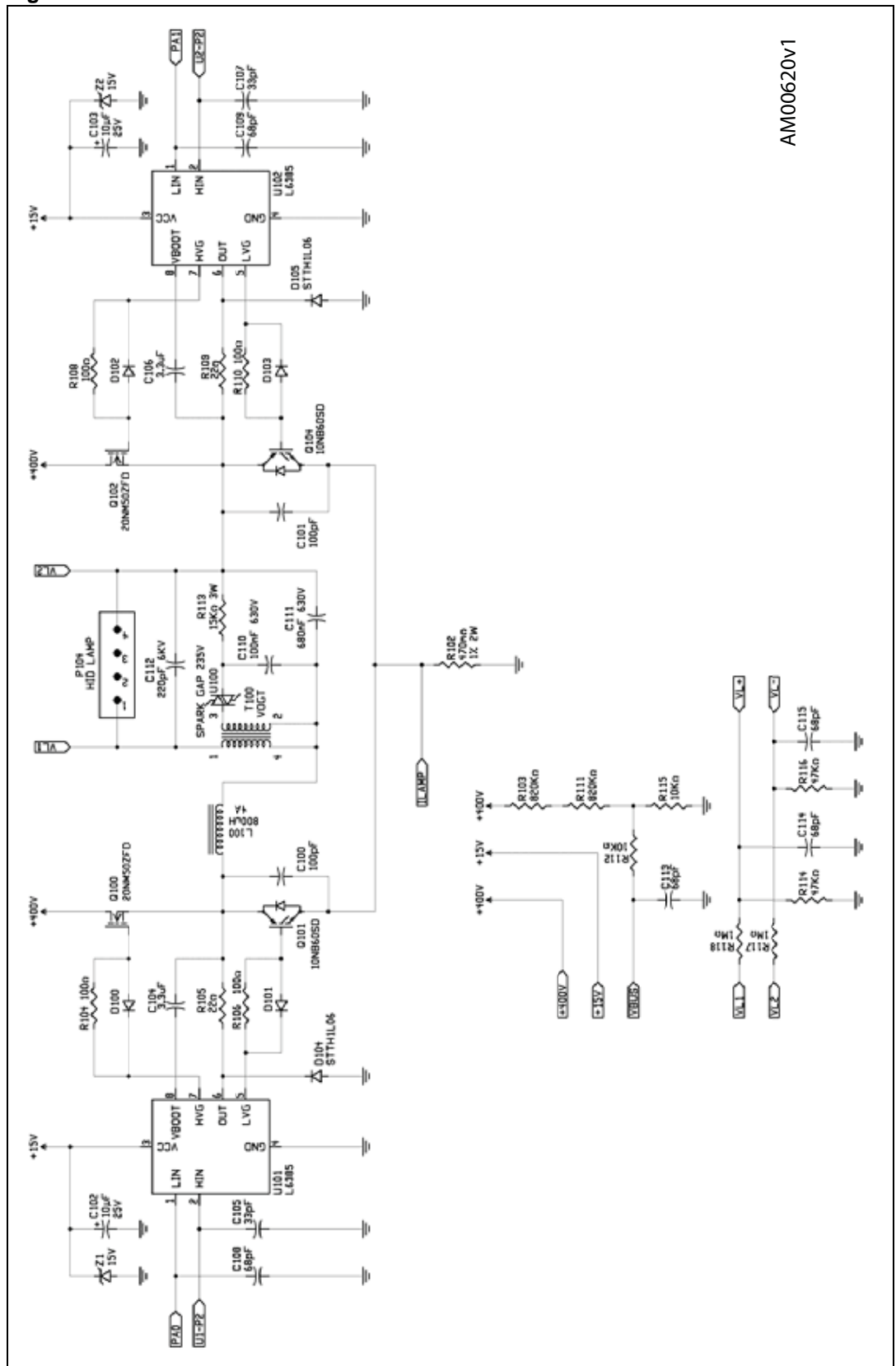


Figure 3. Electrical schematic



AM00620V1

2 Revision history

Table 1. Document revision history

Date	Revision	Changes
05-Jun-2008	1	Initial release.

Please Read Carefully:

Information in this document is provided solely in connection with ST products. STMicroelectronics NV and its subsidiaries ("ST") reserve the right to make changes, corrections, modifications or improvements, to this document, and the products and services described herein at any time, without notice.

All ST products are sold pursuant to ST's terms and conditions of sale.

Purchasers are solely responsible for the choice, selection and use of the ST products and services described herein, and ST assumes no liability whatsoever relating to the choice, selection or use of the ST products and services described herein.

No license, express or implied, by estoppel or otherwise, to any intellectual property rights is granted under this document. If any part of this document refers to any third party products or services it shall not be deemed a license grant by ST for the use of such third party products or services, or any intellectual property contained therein or considered as a warranty covering the use in any manner whatsoever of such third party products or services or any intellectual property contained therein.

UNLESS OTHERWISE SET FORTH IN ST'S TERMS AND CONDITIONS OF SALE ST DISCLAIMS ANY EXPRESS OR IMPLIED WARRANTY WITH RESPECT TO THE USE AND/OR SALE OF ST PRODUCTS INCLUDING WITHOUT LIMITATION IMPLIED WARRANTIES OF MERCHANTABILITY, FITNESS FOR A PARTICULAR PURPOSE (AND THEIR EQUIVALENTS UNDER THE LAWS OF ANY JURISDICTION), OR INFRINGEMENT OF ANY PATENT, COPYRIGHT OR OTHER INTELLECTUAL PROPERTY RIGHT.

UNLESS EXPRESSLY APPROVED IN WRITING BY AN AUTHORIZED ST REPRESENTATIVE, ST PRODUCTS ARE NOT RECOMMENDED, AUTHORIZED OR WARRANTED FOR USE IN MILITARY, AIR CRAFT, SPACE, LIFE SAVING, OR LIFE SUSTAINING APPLICATIONS, NOR IN PRODUCTS OR SYSTEMS WHERE FAILURE OR MALFUNCTION MAY RESULT IN PERSONAL INJURY, DEATH, OR SEVERE PROPERTY OR ENVIRONMENTAL DAMAGE. ST PRODUCTS WHICH ARE NOT SPECIFIED AS "AUTOMOTIVE GRADE" MAY ONLY BE USED IN AUTOMOTIVE APPLICATIONS AT USER'S OWN RISK.

Resale of ST products with provisions different from the statements and/or technical features set forth in this document shall immediately void any warranty granted by ST for the ST product or service described herein and shall not create or extend in any manner whatsoever, any liability of ST.

ST and the ST logo are trademarks or registered trademarks of ST in various countries.

Information in this document supersedes and replaces all information previously supplied.

The ST logo is a registered trademark of STMicroelectronics. All other names are the property of their respective owners.

© 2008 STMicroelectronics - All rights reserved

STMicroelectronics group of companies

Australia - Belgium - Brazil - Canada - China - Czech Republic - Finland - France - Germany - Hong Kong - India - Israel - Italy - Japan - Malaysia - Malta - Morocco - Singapore - Spain - Sweden - Switzerland - United Kingdom - United States of America

www.st.com