

# LMZ12008,LMZ12010,LMZ13608,LMZ13610

*Application Note 2134 LMZ13610/8/6 and LMZ12010/8/6 Evaluation Board*



Literature Number: SNVA478B

# LMZ13610/8/6 and LMZ12010/8/6 Evaluation Board

National Semiconductor  
Application Note 2134  
Marc Davis-Marsh  
June 6, 2011



## Introduction

The LMZ13610/8/6 and LMZ12010/8/6 SIMPLE SWITCHER® power modules are easy-to-use DC-DC solution capable of driving up to a 10, 8 or 6 ampere load. They are available in an innovative package that enhances thermal performance and allows for hand or machine soldering. The LMZ13610/8/6 can accept an input voltage rail between 6V and 36V and the LMZ12010/8/6 can accept an input voltage rail between 6V and 20V.

The evaluation board is highly configurable. The output voltage can be adjusted to 5V, 3.3V, 2.5V or 1.2V with a jumper change. The external soft-start capacitor facilitates a controlled and adjustable startup rise time of the output. The board temperature can be measured with the onboard resistor and the UVLO can be adjusted by changing one resistor. In addition the board comes preconfigured with an LC input filter to pass CISPR-22 class B conducted and radiated emissions.

The LMZ13610 and LMZ12010 family is a reliable and robust solution with the following features: loss-less cycle-by-cycle valley current limit to protect for over current or short-circuit fault, thermal shutdown, input under-voltage lockout, and will start up into a pre-biased output.

## Board Specifications

- $V_{IN} = 6V$  to 36V (LMZ13610/8/6)
- $V_{IN} = 6V$  to 20V (LMZ12010/8/6)
- $V_{OUT} = 1.2V, 2.5V, 3.3V$  or 5V (minimum input voltage of 7V required for 5V output)
- $I_{OUT} = 0$  to 10, 8, or 6 Amps
- $\theta_{JA} = 9.9\text{ }^{\circ}\text{C/W}$ ,  $\theta_{JC} = 1.0\text{ }^{\circ}\text{C/W}$
- Designed on four layers; Inner are 1 oz copper; Outer are 2 oz copper.
- Measures 2.95" x 3.54" (75 mm x 90 mm) and is 62 mils (1.57 mm) thick of FR4 laminate material

For additional circuit considerations, including additional output voltage options, refer to the Applications Section section of the LMZ13610/8/6 or LMZ12010/8/6 data sheets. For negative output voltage connections see AN-2027.

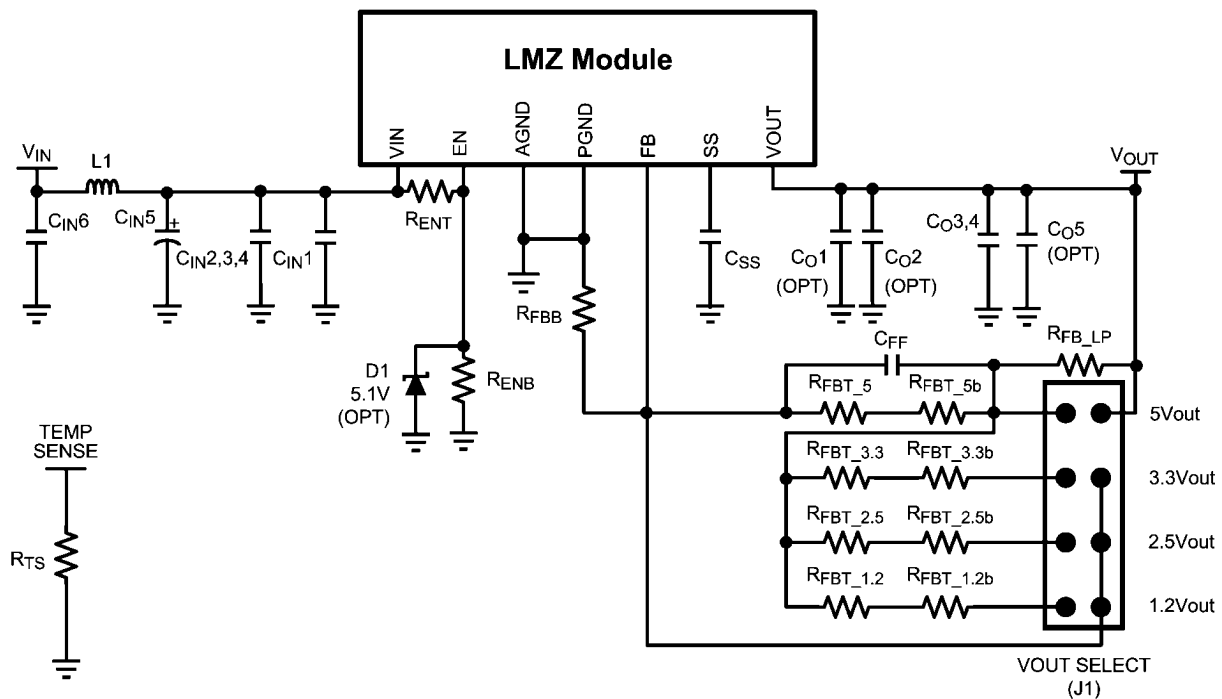


FIGURE 1. Simplified Schematic

## Test Connections

The board should be connected to a power supply and load as shown below in *Figure 2*. The EN post is connected to the UVLO circuit on the back of the board. There is a resistive divider implemented on the board that can be used to establish a precision UVLO level for the board that is currently set to 5.7V. A common user change to this circuit is to adjust the

value of RENT and RENB to adjust the operating UVLO to that of the target application. Refer to the respective data sheet for calculation. Note that if in the end application the EN pin voltage does not exceed 5.5V at maximum  $V_{in}$ , then the enable clamp zener D1 can be omitted. (On revision A of the board the overlay for the zener diode has the cathode and anode incorrectly labeled). Pull EN low to shutdown the module.

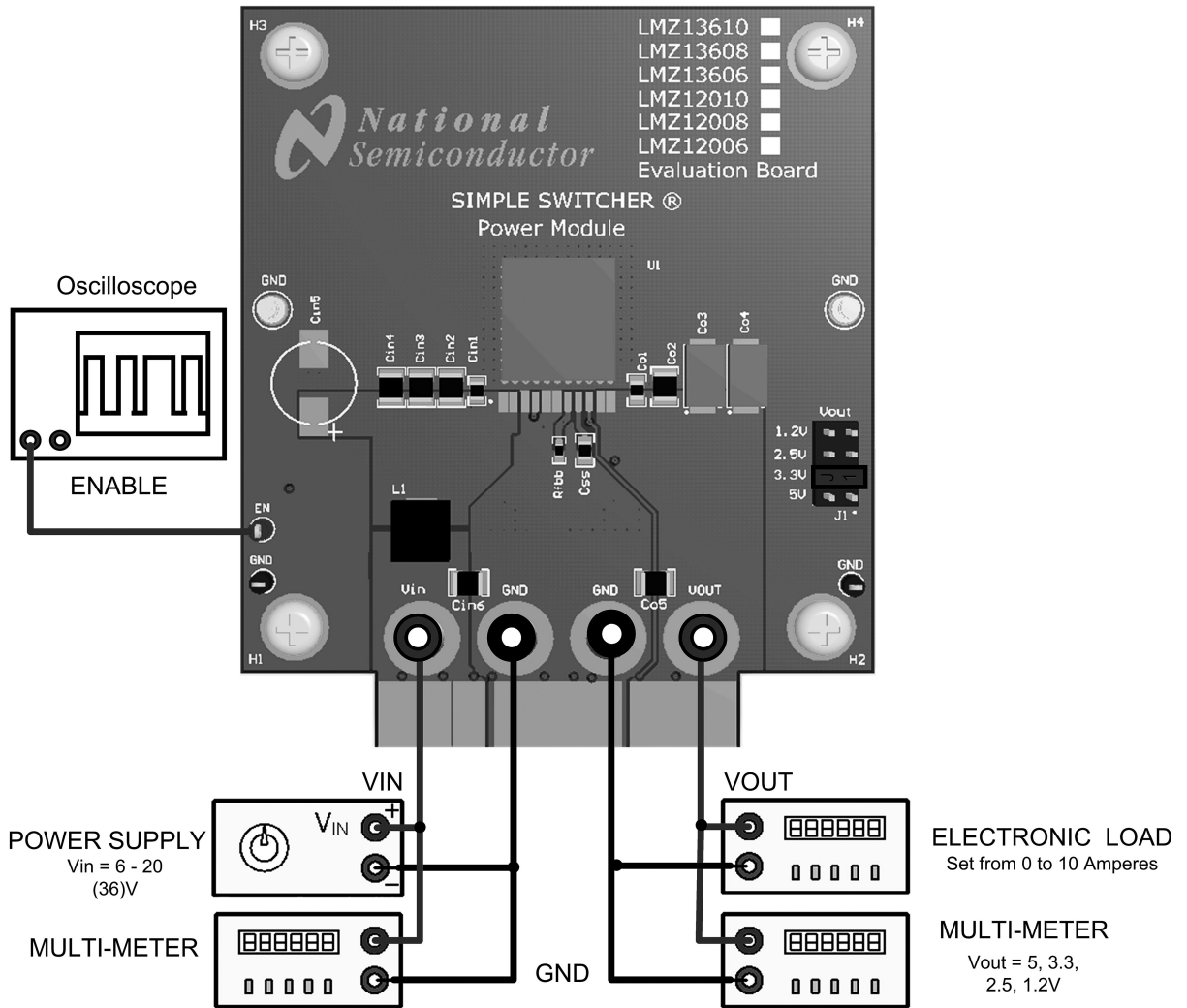
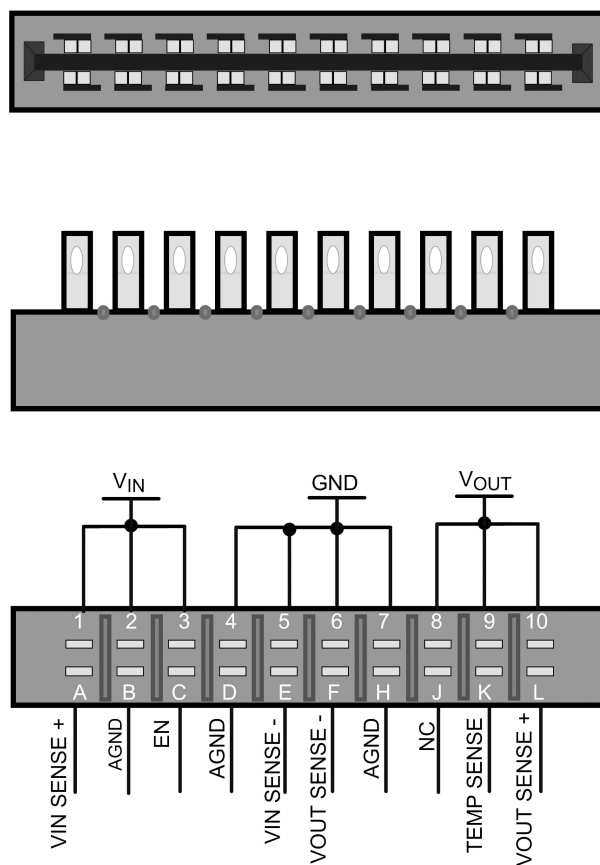


FIGURE 2. Board Connection Diagram

30155801



30155806

**FIGURE 3. Edge Connector Diagram**

The evaluation board is also compatible with the 20-pin edge connector shown in [Figure 3](#). The table below explains the functionality of the pins.

Pin	Name	Description
1, 2, 3	VIN	Input supply — Nominal operating range is from 6V to 20V for the LMZ12010/8/6 and from 6V to 36V for the LMZ13610/8/6.
4, 5, 6, 7	GND	Power Ground — Electrical path for the power circuits within the module.
8, 9, 10	VOUT	Output Voltage — Regulated 5, 3.3, 2.5 or 1.2V.
A	VIN SENSE +	Positive Kelvin Sense of Input voltage — Tied to VIN pin of the LMZ module.
E	VIN SENSE -	Negative Kelvin Sense of Input voltage — Tied to PGND (EP) of the LMZ module.
L	VOUT SENSE +	Positive Kelvin Sense of Output voltage — Tied to Vout banana jack.
F	VOUT SENSE -	Negative Kelvin Sense of Output voltage — Tied to AGND of the LMZ module.
B, D, H	AGND	AGND Ground — Tied to AGND pin of module.
J	NC	No Connect — This pin must remain floating, do not ground.
C	EN	Enable — Input to the precision enable comparator of the LMZ Module.
K	TEMP SENSE	Connected to top of the Rts temperature sensing resistor. Temperature measurements can be made by measuring the temperature dependant resistance between TEMP SENSE and VIN SENSE -. Convert the resistance to temperature with the following equation: Temperature (C) $\approx 2.6245 \times$ Resistance ( $\Omega$ ) - 262.7

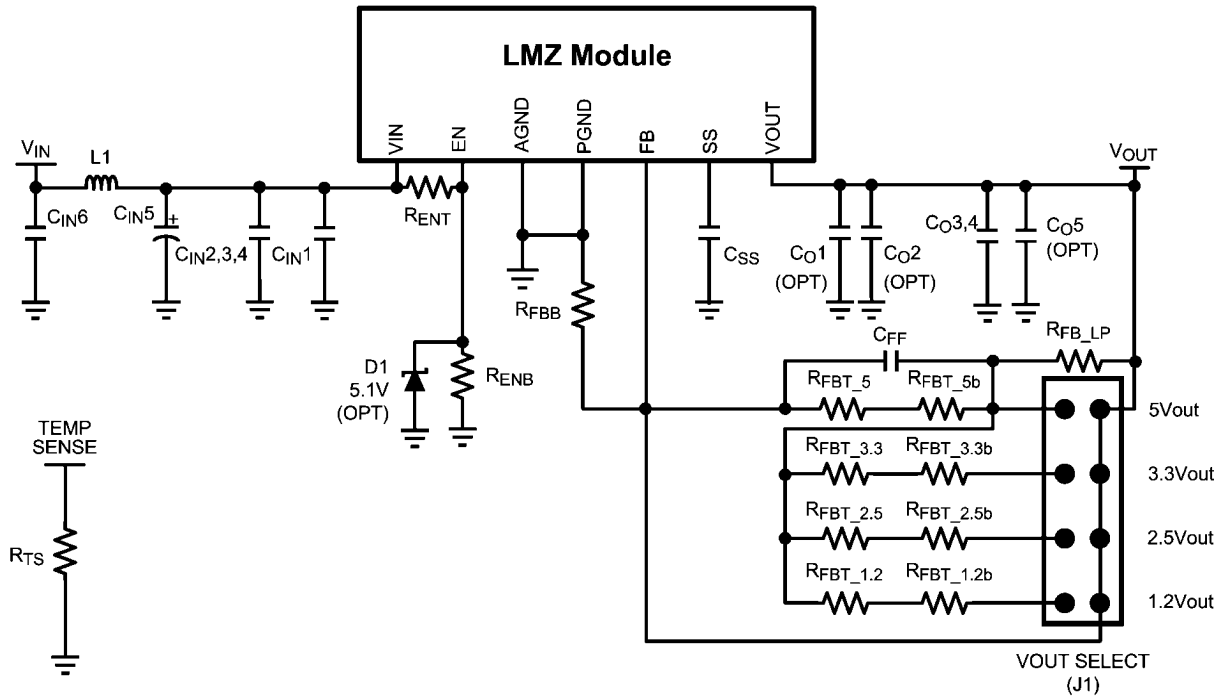
## Adjusting the Output Voltage

The output voltage of the evaluation board is adjusted to either 5V, 3.3V, 2.5V, or 1.2V by moving jumper J1. For other voltage options see the datasheet for adjusting the feedback resistors.

## Optional Components

The evaluation board has many options for input and output filtering.  $C_{O1}$ ,  $C_{O2}$  and  $C_{O5}$  have been installed to decrease

high frequency noise on the output. Their removal will not effect other performance parameters of the design. Similarly,  $C_{IN1}$  has been installed to provide a high frequency bypass for the input current. The second order filter consisting of L1 and  $C_{IN6}$  has been designed to provide enough attenuation of the conducted noise to comply with EN 55022. This filtering is not required for normal operation of the module.



30155807

FIGURE 4. Evaluation Board Schematic

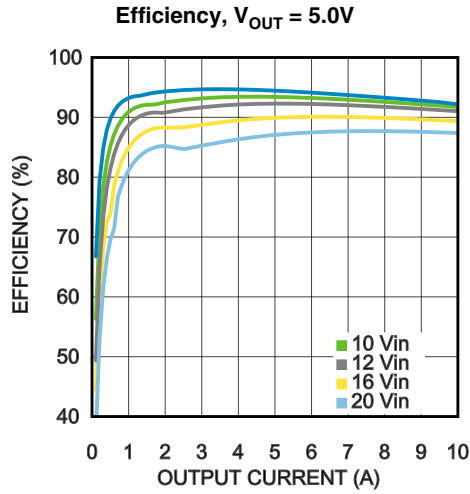
## Bill of Materials

**TABLE 1. Evaluation Board Bill of Materials,  $V_{IN} = 6V$  to  $36V$  (20V),  $V_{OUT} = 1.2 / 3.3V / 5V$ ,  $I_{OUT(MAX)} = 10/08/06A$**

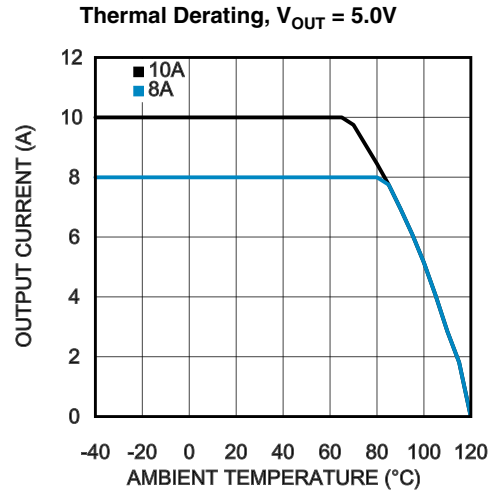
Designator	Description	Case Size	Manufacturer	Manufacturer P/N	Quantity
U1	SIMPLE SWITCHER®	TO-PMOD-11	National Semiconductor	LMZ13610/08/06 or LMZ12010/08/06	1
Cin1 Co1 Co5	0.047uF, X7R, 50V	0805	Kemet	C0805C473K5RACTU	3
Cin2 Cin3 Cin4 Cin6	10 $\mu$ F, X7S, 50V	1210	TDK	C3225X7S1H106M	4
Cin5	150 $\mu$ F, Aluminum Electrolytic, 50V	G	Panasonic	EEE-FK1H151P	1
Co2	47uF, X5R, 10V	1210	Murata	GRM32ER61A476KE20L	1
Co3 Co4	330 $\mu$ F, 6.3V, 0.015 ohm,	2917	Kemet	T520D337M006ATE015	2
Cff	4700 pF, X7R, 50V	0805	Kemet	C0805C472K5RACTU	1
Css	0.15uF, X7R, 10V	0603	Murata	GRM188R71A154KA01D	2
L1	Shielded Drum Core, Powdered Iron, 3.3uH, 12A, 0.011 ohm		Würth	744314330	1
L1_alternate *used in conducted EMI measurement	Shielded Drum Core, 3.3uH, 0.011 ohm		Toko	892NAS-3R3M	
D1	4.7V, 500mW	SOD-123	Vishay	MMSZ4688-V-GS08	1
Rent	4.12k ohm, 1%, 0.125W	0805	Vishay-Dale	CRCW08054K12FKEA	1
Renb	1.27k ohm, 1%, 0.125W	0805	Vishay-Dale	CRCW08051K27FKEA	1
Rfbb	1.07k ohm, 1%, 0.125W	0805	Vishay-Dale	CRCW08051K07FKEA	1
Rfbt_1.2	576 ohm, 1%, 0.125W	0805	Vishay-Dale	CRCW0805576RFKEA	1
Rfbt_1.2b	9.53 ohm, 1%, 0.125W	0805	Vishay-Dale	CRCW08059R53FKEA	1
Rfbt_2.5	3.74k ohm, 1%, 0.125W	0805	Vishay-Dale	CRCW08053K74FKEA	1
Rfbt_2.5b	84.5 ohm, 1%, 0.125W	0805	Vishay-Dale	CRCW080584R5FKEA	1
Rfbt_3.3	8.06k ohm, 1%, 0.125W	0805	Vishay-Dale	CRCW08058K06FKEA	1
Rfbt_3.3b	169 ohm, 1%, 0.125W	0805	Vishay-Dale	CRCW0805169RFKEA	1
Rfbt_5	5.6k ohm, 1%, 0.125W	0805	Vishay-Dale	CRCW08055K60FKEA	1
Rfbt_5b	73.2 ohm, 1%, 0.125W	0805	Vishay-Dale	CRCW080573R2FKEA	1
RFB_LP	20 $\Omega$	0805	Vishay-Dale	CRCW080520R0FKEA	1
Rts	100 ohm, Temp Sense Resistor	0805	Vishay	PTS08051B100RP 100	1
EN	Test Point, TH, Miniature, Red		Keystone Electronics	5000	1
GND GND	Test Point, TH, Miniature, Black		Keystone Electronics	5001	2
GND GND VIN VOUT	Banana Jack Connector		Keystone Electronics	575-8	4
SH-1	Shunt, 100mil, Gold plated, Black		Amp	382811-6	1

Designator	Description	Case Size	Manufacturer	Manufacturer P/N	Quantity
H1 H2 H3 H4	Machine Screw, Round, #4-40 x 1/4, Nylon, Philips panhead		B and F Fastener Supply	NY PMS 440 0025 PH	4
H5 H6 H7 H8	Standoff, Hex, 0.5"L #4-40 Nylon		Keystone	1902C	4
J1	Header, 4x2, Gold plated, 230 mil above insulator	TH, 100mil	Samtec Inc.	TSW-104-07-G-D	1
J2	20-Pin Dual Edge Connector, 0.156" pitch		EDAC	305-020-500-202	0

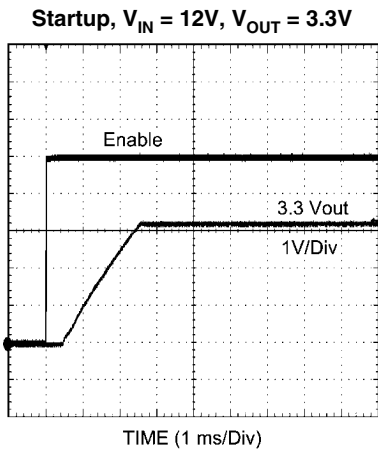
# Performance Characteristics



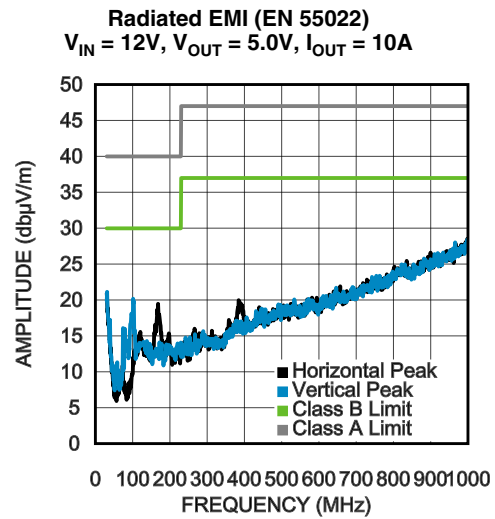
30155820



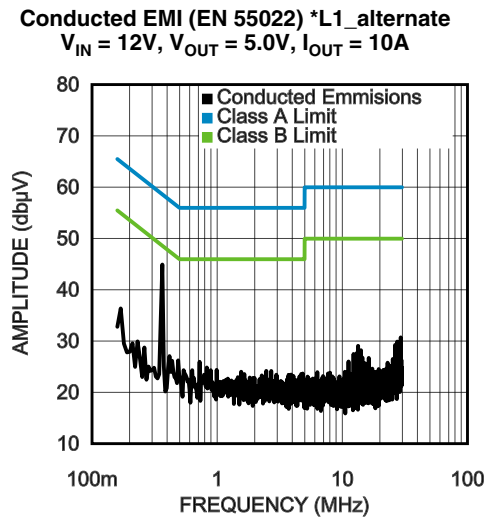
30155821



30155822



30155823

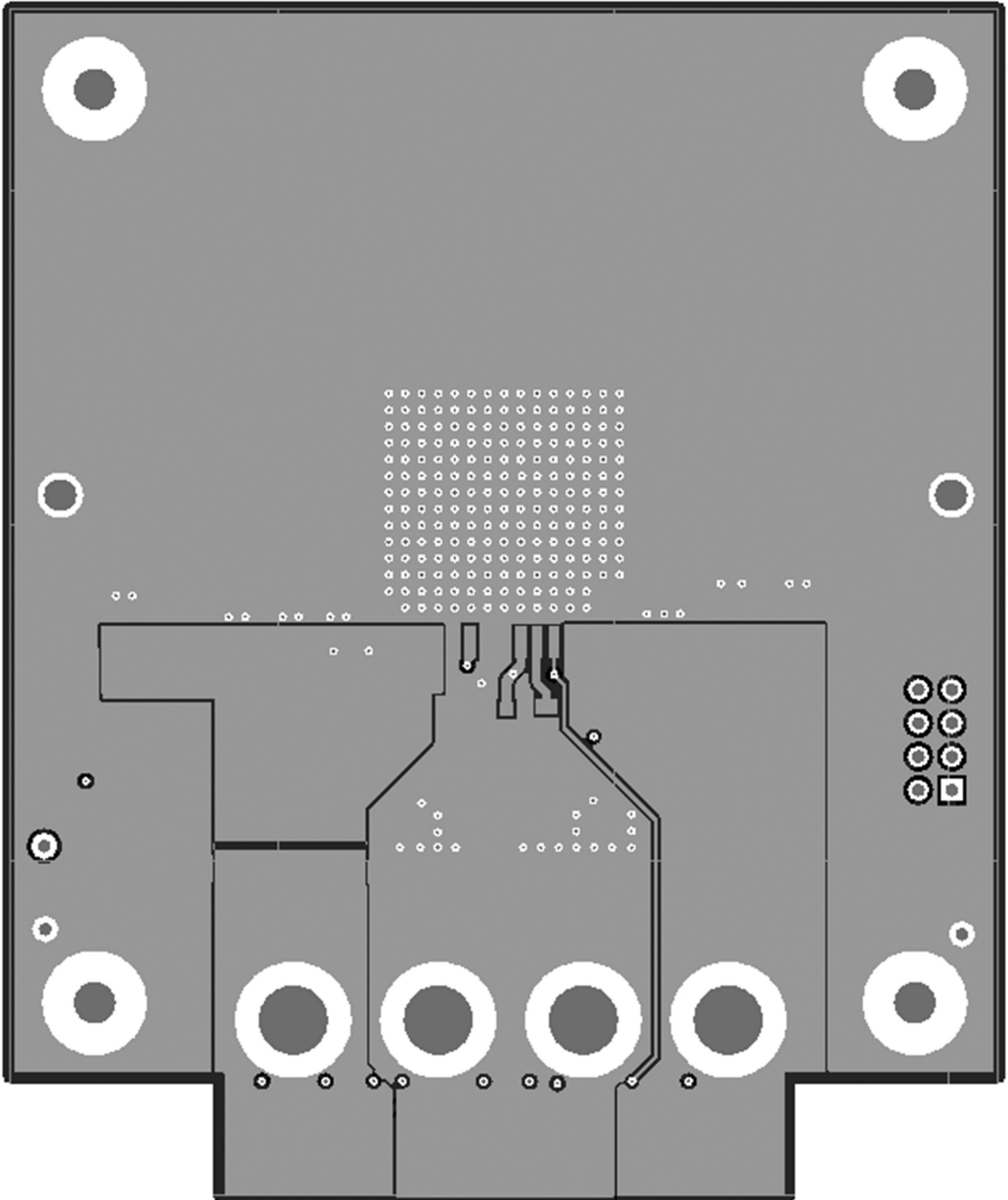


30155824



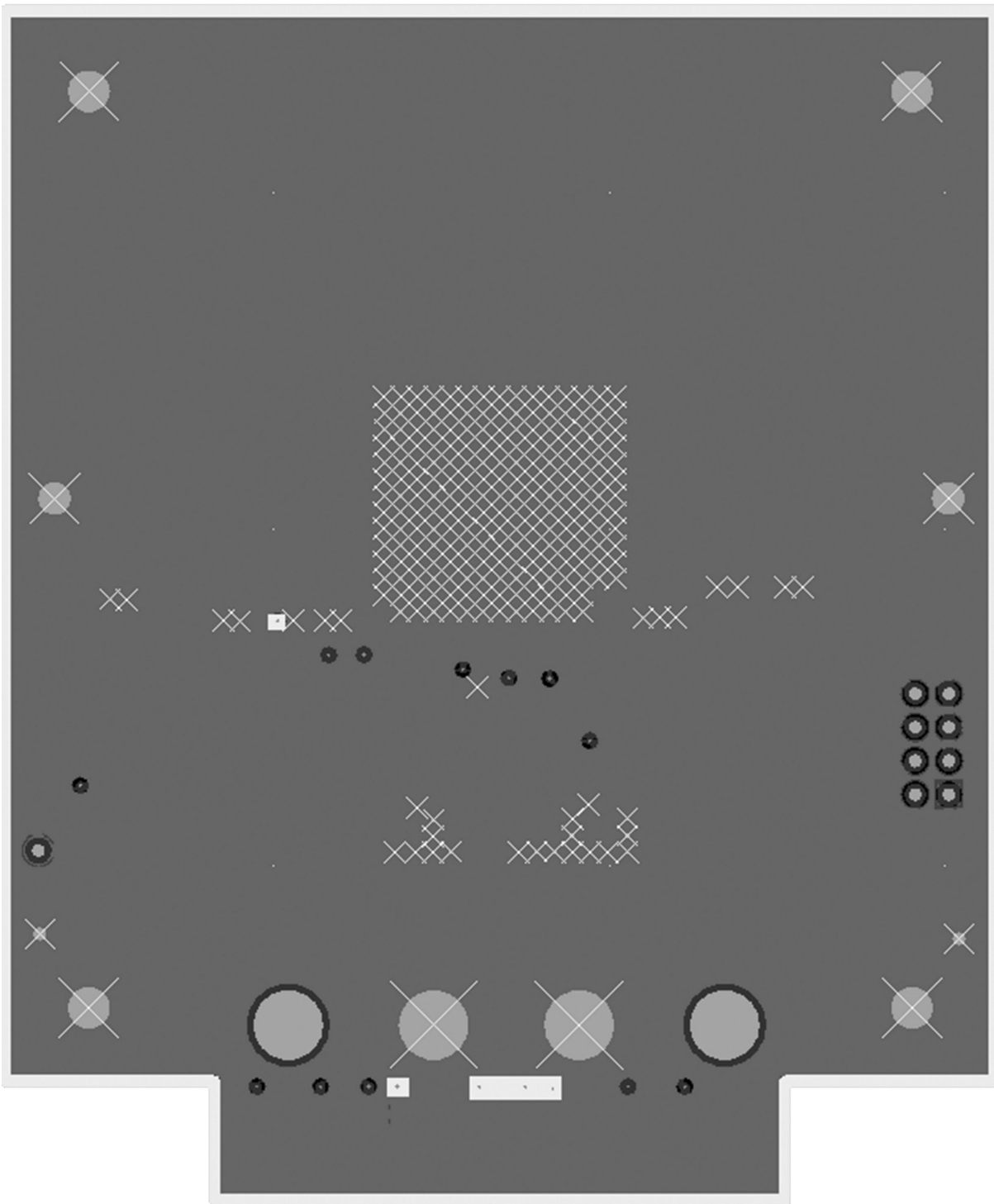
## PCB Layout Diagrams

Gerber and CAD files can be downloaded from the associated product folder.



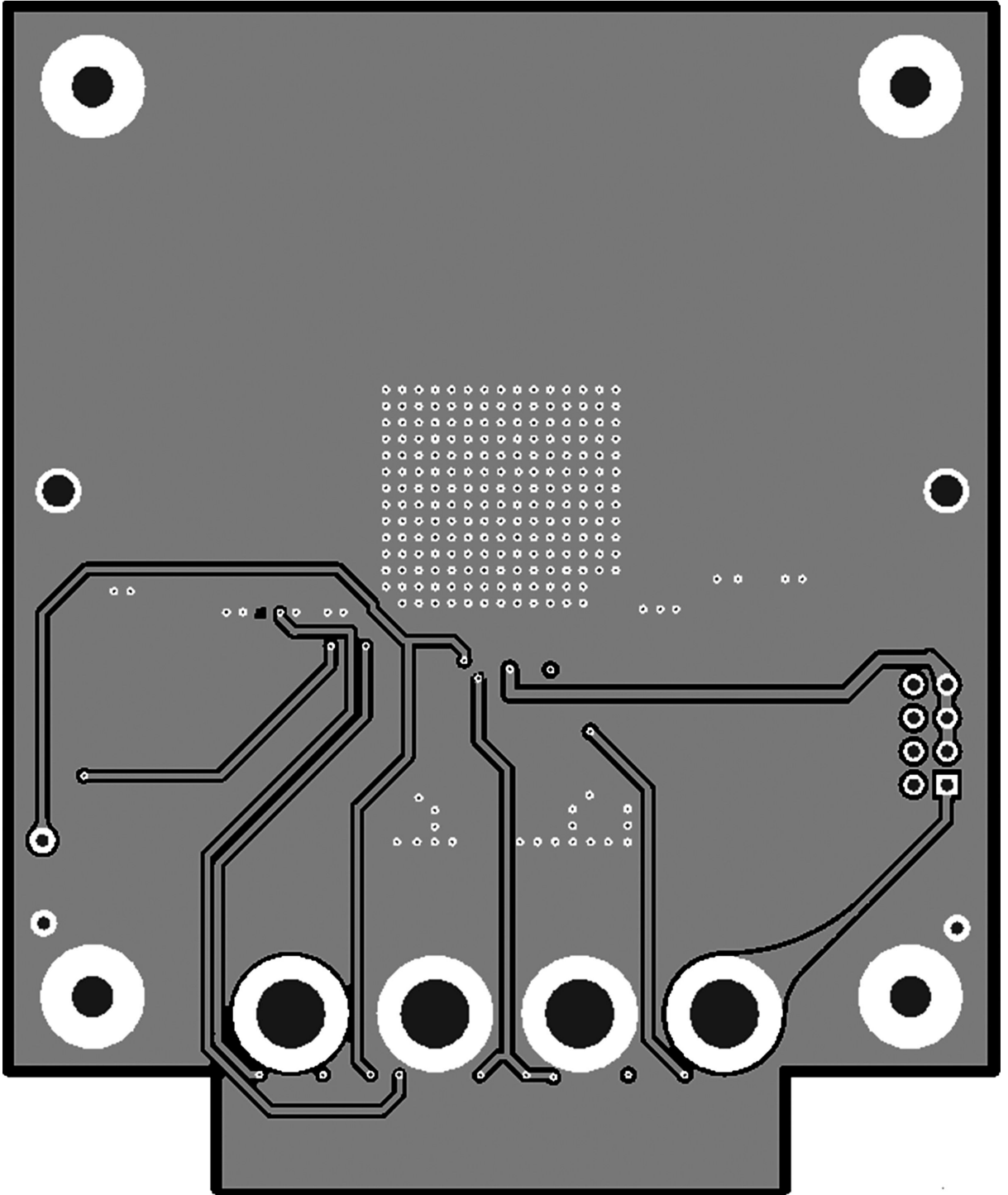
30155814

FIGURE 5. Top Layer



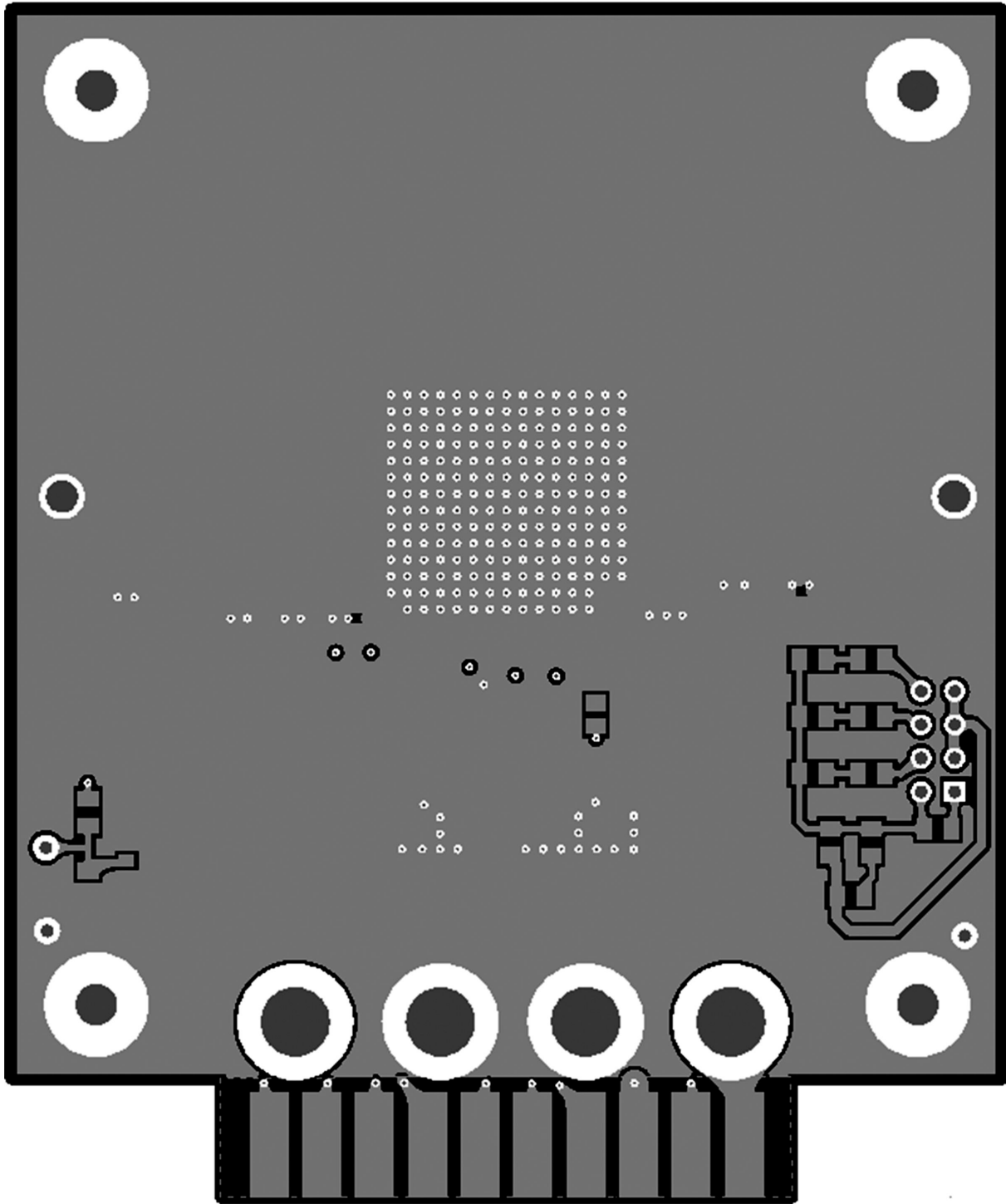
30155815

**FIGURE 6. Internal Layer I (Ground)  
Heat Sinking Layer**



30155816

**FIGURE 7. Internal Layer II (Routing)  
Heat Sinking Layer**



30155817

**FIGURE 8. Bottom Layer (Ground and Routing)  
Heat Sinking Layer**

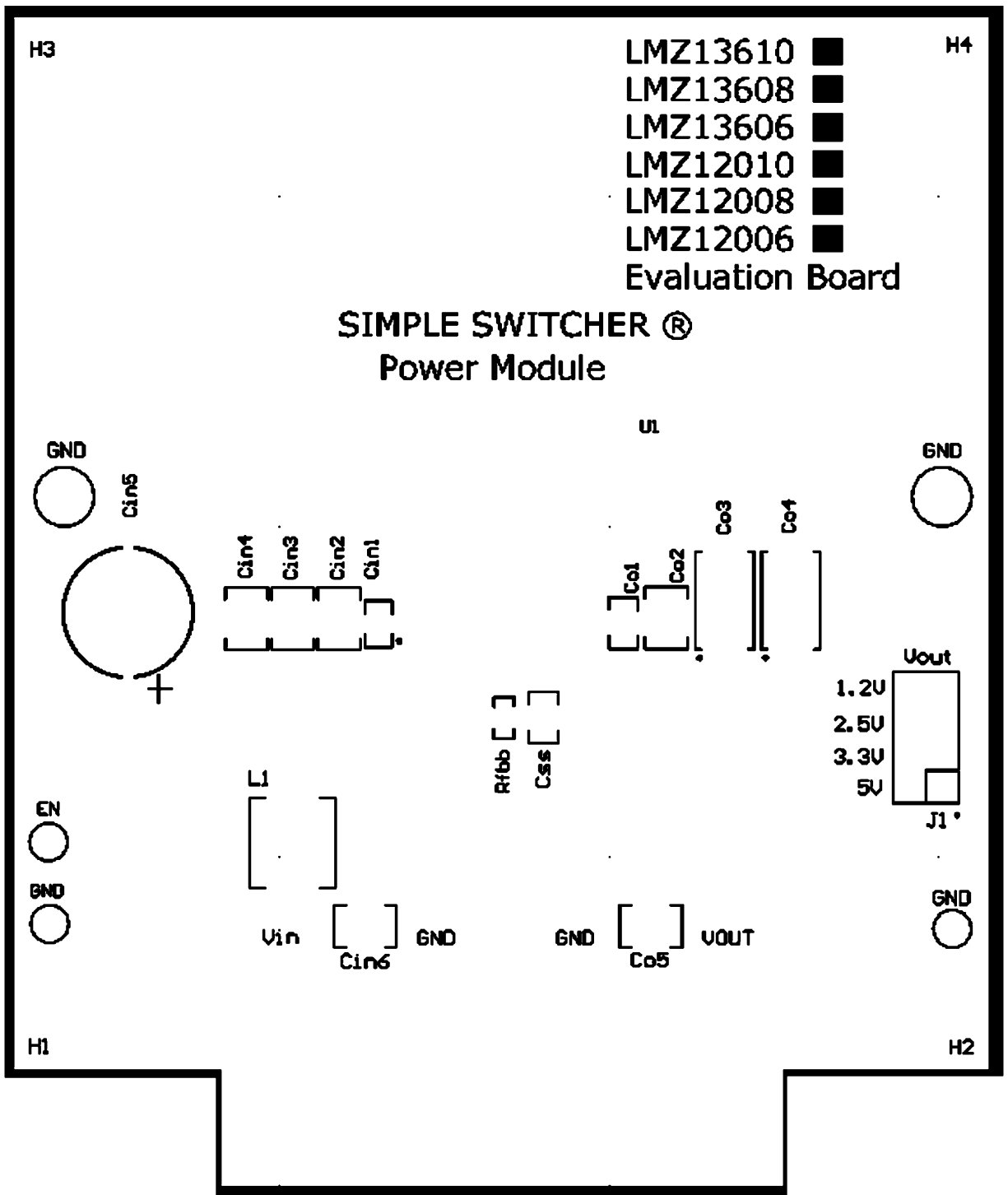
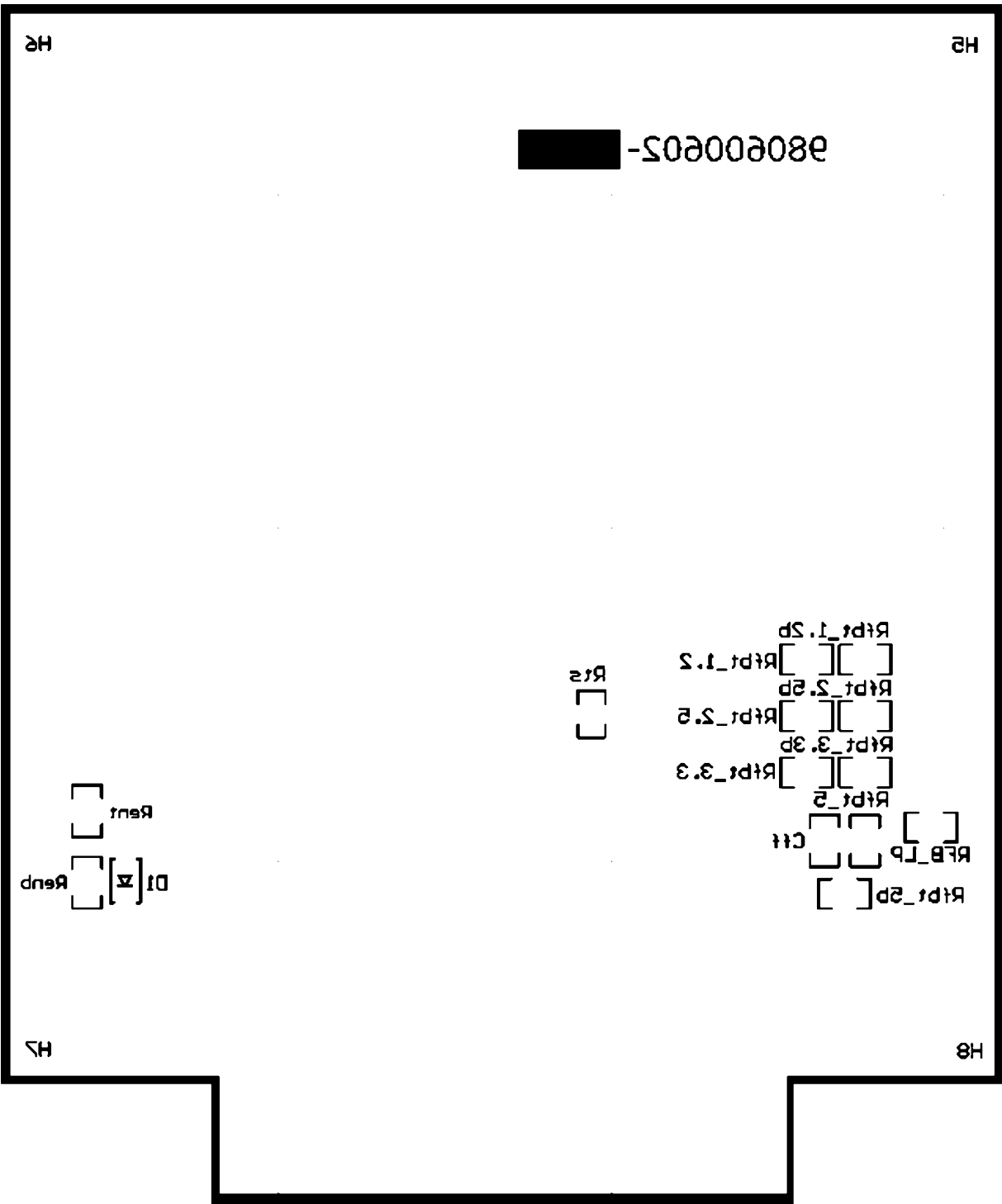


FIGURE 9. Top Silkscreen

30155818



30155819

FIGURE 10. Bottom Silkscreen

## Notes

For more National Semiconductor product information and proven design tools, visit the following Web sites at:  
[www.national.com](http://www.national.com)

Products		Design Support	
Amplifiers	<a href="http://www.national.com/amplifiers">www.national.com/amplifiers</a>	WEBENCH® Tools	<a href="http://www.national.com/webench">www.national.com/webench</a>
Audio	<a href="http://www.national.com/audio">www.national.com/audio</a>	App Notes	<a href="http://www.national.com/appnotes">www.national.com/appnotes</a>
Clock and Timing	<a href="http://www.national.com/timing">www.national.com/timing</a>	Reference Designs	<a href="http://www.national.com/refdesigns">www.national.com/refdesigns</a>
Data Converters	<a href="http://www.national.com/adc">www.national.com/adc</a>	Samples	<a href="http://www.national.com/samples">www.national.com/samples</a>
Interface	<a href="http://www.national.com/interface">www.national.com/interface</a>	Eval Boards	<a href="http://www.national.com/evalboards">www.national.com/evalboards</a>
LVDS	<a href="http://www.national.com/lvds">www.national.com/lvds</a>	Packaging	<a href="http://www.national.com/packaging">www.national.com/packaging</a>
Power Management	<a href="http://www.national.com/power">www.national.com/power</a>	Green Compliance	<a href="http://www.national.com/quality/green">www.national.com/quality/green</a>
Switching Regulators	<a href="http://www.national.com/switchers">www.national.com/switchers</a>	Distributors	<a href="http://www.national.com/contacts">www.national.com/contacts</a>
LDOs	<a href="http://www.national.com/ldo">www.national.com/ldo</a>	Quality and Reliability	<a href="http://www.national.com/quality">www.national.com/quality</a>
LED Lighting	<a href="http://www.national.com/led">www.national.com/led</a>	Feedback/Support	<a href="http://www.national.com/feedback">www.national.com/feedback</a>
Voltage References	<a href="http://www.national.com/vref">www.national.com/vref</a>	Design Made Easy	<a href="http://www.national.com/easy">www.national.com/easy</a>
PowerWise® Solutions	<a href="http://www.national.com/powerwise">www.national.com/powerwise</a>	Applications & Markets	<a href="http://www.national.com/solutions">www.national.com/solutions</a>
Serial Digital Interface (SDI)	<a href="http://www.national.com/sdi">www.national.com/sdi</a>	Mil/Aero	<a href="http://www.national.com/milaero">www.national.com/milaero</a>
Temperature Sensors	<a href="http://www.national.com/tempensors">www.national.com/tempensors</a>	SolarMagic™	<a href="http://www.national.com/solarmagic">www.national.com/solarmagic</a>
PLL/VCO	<a href="http://www.national.com/wireless">www.national.com/wireless</a>	PowerWise® Design University	<a href="http://www.national.com/training">www.national.com/training</a>

THE CONTENTS OF THIS DOCUMENT ARE PROVIDED IN CONNECTION WITH NATIONAL SEMICONDUCTOR CORPORATION ("NATIONAL") PRODUCTS. NATIONAL MAKES NO REPRESENTATIONS OR WARRANTIES WITH RESPECT TO THE ACCURACY OR COMPLETENESS OF THE CONTENTS OF THIS PUBLICATION AND RESERVES THE RIGHT TO MAKE CHANGES TO SPECIFICATIONS AND PRODUCT DESCRIPTIONS AT ANY TIME WITHOUT NOTICE. NO LICENSE, WHETHER EXPRESS, IMPLIED, ARISING BY ESTOPPEL OR OTHERWISE, TO ANY INTELLECTUAL PROPERTY RIGHTS IS GRANTED BY THIS DOCUMENT.

TESTING AND OTHER QUALITY CONTROLS ARE USED TO THE EXTENT NATIONAL DEEMS NECESSARY TO SUPPORT NATIONAL'S PRODUCT WARRANTY. EXCEPT WHERE MANDATED BY GOVERNMENT REQUIREMENTS, TESTING OF ALL PARAMETERS OF EACH PRODUCT IS NOT NECESSARILY PERFORMED. NATIONAL ASSUMES NO LIABILITY FOR APPLICATIONS ASSISTANCE OR BUYER PRODUCT DESIGN. BUYERS ARE RESPONSIBLE FOR THEIR PRODUCTS AND APPLICATIONS USING NATIONAL COMPONENTS. PRIOR TO USING OR DISTRIBUTING ANY PRODUCTS THAT INCLUDE NATIONAL COMPONENTS, BUYERS SHOULD PROVIDE ADEQUATE DESIGN, TESTING AND OPERATING SAFEGUARDS.

EXCEPT AS PROVIDED IN NATIONAL'S TERMS AND CONDITIONS OF SALE FOR SUCH PRODUCTS, NATIONAL ASSUMES NO LIABILITY WHATSOEVER, AND NATIONAL DISCLAIMS ANY EXPRESS OR IMPLIED WARRANTY RELATING TO THE SALE AND/OR USE OF NATIONAL PRODUCTS INCLUDING LIABILITY OR WARRANTIES RELATING TO FITNESS FOR A PARTICULAR PURPOSE, MERCHANTABILITY, OR INFRINGEMENT OF ANY PATENT, COPYRIGHT OR OTHER INTELLECTUAL PROPERTY RIGHT.

#### LIFE SUPPORT POLICY

**NATIONAL'S PRODUCTS ARE NOT AUTHORIZED FOR USE AS CRITICAL COMPONENTS IN LIFE SUPPORT DEVICES OR SYSTEMS WITHOUT THE EXPRESS PRIOR WRITTEN APPROVAL OF THE CHIEF EXECUTIVE OFFICER AND GENERAL COUNSEL OF NATIONAL SEMICONDUCTOR CORPORATION.** As used herein:

Life support devices or systems are devices which (a) are intended for surgical implant into the body, or (b) support or sustain life and whose failure to perform when properly used in accordance with instructions for use provided in the labeling can be reasonably expected to result in a significant injury to the user. A critical component is any component in a life support device or system whose failure to perform can be reasonably expected to cause the failure of the life support device or system or to affect its safety or effectiveness.

National Semiconductor and the National Semiconductor logo are registered trademarks of National Semiconductor Corporation. All other brand or product names may be trademarks or registered trademarks of their respective holders.

Copyright© 2011 National Semiconductor Corporation

For the most current product information visit us at [www.national.com](http://www.national.com)



**National Semiconductor  
Americas Technical  
Support Center**  
Email: [support@nsc.com](mailto:support@nsc.com)  
Tel: 1-800-272-9959

**National Semiconductor Europe  
Technical Support Center**  
Email: [europe.support@nsc.com](mailto:europe.support@nsc.com)

**National Semiconductor Asia  
Pacific Technical Support Center**  
Email: [ap.support@nsc.com](mailto:ap.support@nsc.com)

**National Semiconductor Japan  
Technical Support Center**  
Email: [jpn.feedback@nsc.com](mailto:jpn.feedback@nsc.com)

## IMPORTANT NOTICE

Texas Instruments Incorporated and its subsidiaries (TI) reserve the right to make corrections, modifications, enhancements, improvements, and other changes to its products and services at any time and to discontinue any product or service without notice. Customers should obtain the latest relevant information before placing orders and should verify that such information is current and complete. All products are sold subject to TI's terms and conditions of sale supplied at the time of order acknowledgment.

TI warrants performance of its hardware products to the specifications applicable at the time of sale in accordance with TI's standard warranty. Testing and other quality control techniques are used to the extent TI deems necessary to support this warranty. Except where mandated by government requirements, testing of all parameters of each product is not necessarily performed.

TI assumes no liability for applications assistance or customer product design. Customers are responsible for their products and applications using TI components. To minimize the risks associated with customer products and applications, customers should provide adequate design and operating safeguards.

TI does not warrant or represent that any license, either express or implied, is granted under any TI patent right, copyright, mask work right, or other TI intellectual property right relating to any combination, machine, or process in which TI products or services are used. Information published by TI regarding third-party products or services does not constitute a license from TI to use such products or services or a warranty or endorsement thereof. Use of such information may require a license from a third party under the patents or other intellectual property of the third party, or a license from TI under the patents or other intellectual property of TI.

Reproduction of TI information in TI data books or data sheets is permissible only if reproduction is without alteration and is accompanied by all associated warranties, conditions, limitations, and notices. Reproduction of this information with alteration is an unfair and deceptive business practice. TI is not responsible or liable for such altered documentation. Information of third parties may be subject to additional restrictions.

Resale of TI products or services with statements different from or beyond the parameters stated by TI for that product or service voids all express and any implied warranties for the associated TI product or service and is an unfair and deceptive business practice. TI is not responsible or liable for any such statements.

TI products are not authorized for use in safety-critical applications (such as life support) where a failure of the TI product would reasonably be expected to cause severe personal injury or death, unless officers of the parties have executed an agreement specifically governing such use. Buyers represent that they have all necessary expertise in the safety and regulatory ramifications of their applications, and acknowledge and agree that they are solely responsible for all legal, regulatory and safety-related requirements concerning their products and any use of TI products in such safety-critical applications, notwithstanding any applications-related information or support that may be provided by TI. Further, Buyers must fully indemnify TI and its representatives against any damages arising out of the use of TI products in such safety-critical applications.

TI products are neither designed nor intended for use in military/aerospace applications or environments unless the TI products are specifically designated by TI as military-grade or "enhanced plastic." Only products designated by TI as military-grade meet military specifications. Buyers acknowledge and agree that any such use of TI products which TI has not designated as military-grade is solely at the Buyer's risk, and that they are solely responsible for compliance with all legal and regulatory requirements in connection with such use.

TI products are neither designed nor intended for use in automotive applications or environments unless the specific TI products are designated by TI as compliant with ISO/TS 16949 requirements. Buyers acknowledge and agree that, if they use any non-designated products in automotive applications, TI will not be responsible for any failure to meet such requirements.

Following are URLs where you can obtain information on other Texas Instruments products and application solutions:

### Products

Audio	<a href="http://www.ti.com/audio">www.ti.com/audio</a>
Amplifiers	<a href="http://amplifier.ti.com">amplifier.ti.com</a>
Data Converters	<a href="http://dataconverter.ti.com">dataconverter.ti.com</a>
DLP® Products	<a href="http://www.dlp.com">www.dlp.com</a>
DSP	<a href="http://dsp.ti.com">dsp.ti.com</a>
Clocks and Timers	<a href="http://www.ti.com/clocks">www.ti.com/clocks</a>
Interface	<a href="http://interface.ti.com">interface.ti.com</a>
Logic	<a href="http://logic.ti.com">logic.ti.com</a>
Power Mgmt	<a href="http://power.ti.com">power.ti.com</a>
Microcontrollers	<a href="http://microcontroller.ti.com">microcontroller.ti.com</a>
RFID	<a href="http://www.ti-rfid.com">www.ti-rfid.com</a>
OMAP Mobile Processors	<a href="http://www.ti.com/omap">www.ti.com/omap</a>
Wireless Connectivity	<a href="http://www.ti.com/wirelessconnectivity">www.ti.com/wirelessconnectivity</a>

### Applications

Communications and Telecom	<a href="http://www.ti.com/communications">www.ti.com/communications</a>
Computers and Peripherals	<a href="http://www.ti.com/computers">www.ti.com/computers</a>
Consumer Electronics	<a href="http://www.ti.com/consumer-apps">www.ti.com/consumer-apps</a>
Energy and Lighting	<a href="http://www.ti.com/energy">www.ti.com/energy</a>
Industrial	<a href="http://www.ti.com/industrial">www.ti.com/industrial</a>
Medical	<a href="http://www.ti.com/medical">www.ti.com/medical</a>
Security	<a href="http://www.ti.com/security">www.ti.com/security</a>
Space, Avionics and Defense	<a href="http://www.ti.com/space-avionics-defense">www.ti.com/space-avionics-defense</a>
Transportation and Automotive	<a href="http://www.ti.com/automotive">www.ti.com/automotive</a>
Video and Imaging	<a href="http://www.ti.com/video">www.ti.com/video</a>

TI E2E Community Home Page

[e2e.ti.com](http://e2e.ti.com)

Mailing Address: Texas Instruments, Post Office Box 655303, Dallas, Texas 75265  
Copyright © 2011, Texas Instruments Incorporated