

# LM3445

*Application Note 2061 LM3445 A19 Edison Retrofit Evaluation Board*



Literature Number: SNVA442B

# LM3445 A19 Edison Retrofit Evaluation Board

National Semiconductor  
Application Note 2061  
Clinton Jensen  
August 11, 2010



## Introduction

The evaluation board included in this shipment converts 85V<sub>AC</sub> to 135V<sub>AC</sub> input and drives five to thirteen series connected LED's at the currents listed in the *Evaluation Board Operating Conditions* section. This is a two-layer board using the bottom and top layer for component placement. The board is surrounded by a larger area allowing for extra test points and connectors for ease of evaluation. The actual board size is contained inside the larger outer area and can be cut out for the smallest size possible. The evaluation board can be modified to adjust the LED forward current and the number of series connected LEDs. The topology used for this evaluation board eliminates the need for passive power factor correction and results in high efficiency and power factor with minimal component count which results in a size that can fit in a standard A19 Edison socket. This board will also operate correctly and dim smoothly using most standard triac dimmers. Output current is regulated within ±15% of nominal from circuit to circuit and over line voltage variation. Refer to the LM3445 datasheet for details on the LM3445 IC.

A bill of materials below describes the parts used on this demonstration board. A schematic and layout have also been included below along with measured performance character-

istics including EMI/EMC data. The above restrictions for the input voltage are valid only for the demonstration board as shipped with the schematic below. Please refer to the LM3445 data sheet for detailed information regarding the LM3445 device. The board is currently set up to drive five to thirteen series connected LEDs, but the evaluation board may be modified to accept more series LEDs. Refer to the tables in this document for modifying the board to accept more LEDs and/or adjust for different current levels.

## Evaluation Board Operating Conditions

$V_{IN} = 85V_{AC}$  to  $135V_{AC}$

5 to 13 series connected LEDs as configured with the currents listed below

Can drive up to 18 series LEDs (see table)

$I_{LED} = 340$  mA (5 LEDs)

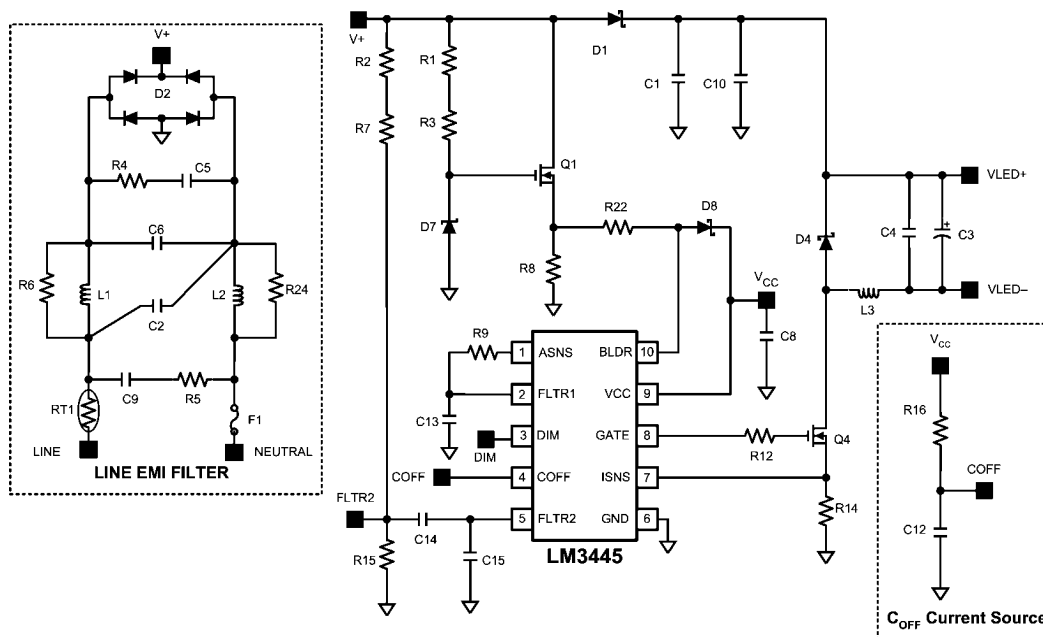
$I_{LED} = 300$  mA (7 LEDs)

$I_{LED} = 260$  mA (9 LEDs)

$I_{LED} = 230$  mA (11 LEDs)

$I_{LED} = 205$  mA (13 LEDs)

## Simplified LM3445 Schematic

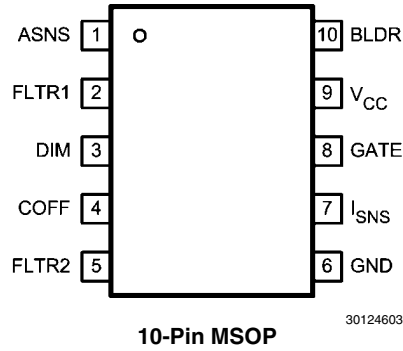


30124601

**Warning:** The LM3445 evaluation boards have no isolation or any type of protection from shock. Caution must be taken when handling evaluation board. Avoid touching evaluation board, and removing any cables while evaluation board is operating. Isolating the evaluation board rather than the oscilloscope is highly recommended.

**Warning:** This LM3445 evaluation PCB is a non-isolated design. The ground connection on the evaluation board is NOT referenced to earth ground. If an oscilloscope ground lead is connected to the evaluation board ground test point for analysis, and AC power is applied, the fuse (F1) will fail open. The oscilloscope should be powered via an isolation transformer before an oscilloscope ground lead is connected to the evaluation board.

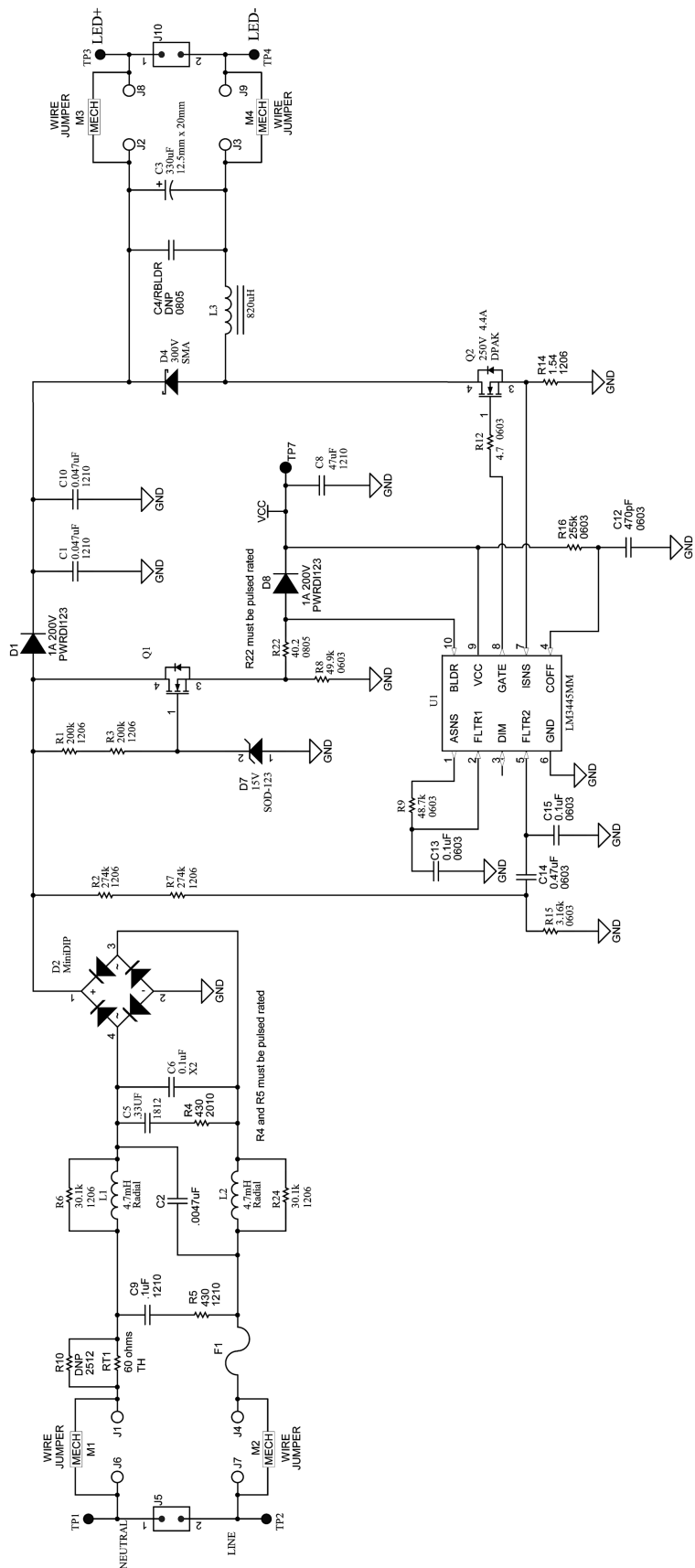
## Pin-Out



### Pin Description 10 Pin MSOP

Pin #	Name	Description
1	ASNS	PWM output of the triac dim decoder circuit. Outputs a 0 to 4V PWM signal with a duty cycle proportional to the triac dimmer on-time.
2	FLTR1	First filter input. The 120Hz PWM signal from ASNS is filtered to a DC signal and compared to a 1 to 3V, 5.85 kHz ramp to generate a higher frequency PWM signal with a duty cycle proportional to the triac dimmer firing angle. Pull above 4.9V (typical) to tri-state DIM.
3	DIM	Input/output dual function dim pin. This pin can be driven with an external PWM signal to dim the LEDs. It may also be used as an output signal and connected to the DIM pin of other LM3445 or LED drivers to dim multiple LED circuits simultaneously.
4	COFF	OFF time setting pin. A user set current and capacitor connected from the output to this pin sets the constant OFF time of the switching controller.
5	FLTR2	Second filter input. A capacitor tied to this pin filters the PWM dimming signal to supply a DC voltage to control the LED current. Could also be used as an analog dimming input.
6	GND	Circuit ground connection.
7	ISNS	LED current sense pin. Connect a resistor from main switching MOSFET source, ISNS to GND to set the maximum LED current.
8	GATE	Power MOSFET driver pin. This output provides the gate drive for the power switching MOSFET of the buck controller.
9	V <sub>CC</sub>	Input voltage pin. This pin provides the power for the internal control circuitry and gate driver.
10	BLDR	Bleeder pin. Provides the input signal to the angle detect circuitry as well as a current path through a switched 230Ω resistor to ensure proper firing of the triac dimmer.

# LM3445 Evaluation Board Schematic



30124607

## Bill of Materials LM3445 Evaluation Board

REF DES	Description	MFG	MFG Part Number
U1	IC DRIVER LED W/TRIAC DIM 10MSOP	National Semiconductor	LM3445MM
C1, C10	Ceramic, 47000pF, 500V, X7R, 1210	Johanson Dielectrics	501S41W473KV4E
C2	CAP FILM MKP .0047μF 310VAC X2	Vishay/BC Components	BFC233820472
C3	CAP 470μF 50V ELECT PW RADIAL	Nichicon	UPW1H471MHD
C4/RBLDR ( <i>Note 1</i> )	DNP		
C5	Ceramic, .33μF, 250V, X7R, 1812	TDK Corporation	C4532X7R2E334K
C6	CAP .10μF 305VAC EMI SUPPRESSION	EPCOS	B32921C3104M
C8	Ceramic, 47μF, X5R, 16V, 1210	MuRata	GRM32ER61C476ME15L
C9	Ceramic, .1μF, 250V, X7R, 1210	Taiyo Yuden	QMK325B7104KN-T
C12	Ceramic, 470pF, 50V, X7R, 0603	MuRata	GRM188R71H471KA01D
C13, C15	Ceramic, 0.1μF, 16V, X7R, 0603	MuRata	GRM188R71C104KA01D
C14	Ceramic, 0.47μF, 16V, X7R, 0603	MuRata	GRM188R71C474KA88D
D1	DIODE SCHOTTKY 1A 200V PWRDI 123	Diodes Inc.	DFLS1200-7
D2	Bridge Rectifier, Vr = 400V, Io = 0.8A, Vf = 1V	Diodes Inc.	HD04-T
D4	DIODE FAST 1A 300V SMA	Fairchild Semi conductor	ES1F
D7	DIODE ZENER 15V 500MW SOD-123	Fairchild Semi conductor	MMSZ5245B
D8	DIODE SCHOTTKY 1A 200V PWRDI 123	Diodes Inc.	DFLS1200-7
F1	FUSE 1A 125V FAST	Cooper/Bussman	6125FA1A
J5, J10	CONN HEADER .312 VERT 2POS TIN	Tyco Electronics	1-1318301-2
L1, L2	INDUCTOR 3900μH .12A RADIAL	J.W. Miller/Bourns	RL875S-392K-RC
L3	820μH, Shielded Drum Core	Coilcraft Inc.	MSS1038-824KL
M1	JUMPER WIRE 0.3" J6 TO J1	3M	923345-03-C
M2	JUMPER WIRE 0.3" J7 to J4	3M	923345-03-C
M3	JUMPER WIRE 0.3" J2 TO J8	3M	923345-03-C
M4	JUMPER WIRE 0.3" J3 TO J9	3M	923345-03-C
Q1	MOSFET N-CH 240V 260MA SOT-89	Infineon Technologies	BSS87 L6327
Q2	MOSFET N-CH 250V 4.4A DPAK	Fairchild Semi conductor	FDD6N25TM
R1, R3	RES 200kΩ, 0.25W, 1%, 1206	Vishay-Dale	CRCW1206200kFKEA
R2, R7	RES 274kΩ, 0.25W, 1%, 1206	Vishay-Dale	CRCW1206274kFKEA
R4	RES 430Ω, 1/2W, 5%, 2010	Vishay-Dale	CRCW2010430RJNEF
R5	RES 430Ω, 1/3W, 5%, 1210	Vishay-Dale	CRCW1210430RJNEA
R6, R24	RES 30.1kΩ, 0.25W, 1%, 1206	Vishay-Dale	CRCW120630k1FKEA
R8	RES 49.9kΩ, 0.1W, 1%, 0603	Vishay-Dale	CRCW060349K9FKEA
R9	RES 48.7kΩ, 0.1W, 1%, 0603	Vishay-Dale	CRCW060348K7FKEA
R10	DNP		
R12	RES 4.7Ω, 0.1W, 5%, 0603	Vishay-Dale	CRCW06034R70JNEA
R14	RES 1.54Ω, 1/4W, 1%, 1206	Vishay-Dale	CRCW12061R54FNEA
R15	RES 3.16kΩ, 0.1w, 1%, 0603	Vishay-Dale	CRCW06033K16FKEA
R16	RES 255kΩ, 0.1W, 1%, 0603	Vishay-Dale	CRCW0603255KfKEA
R22	RES 40.2Ω, 0.125W, 1%, 0805	Vishay-Dale	CRCW080540R2FKEA
RT1	CURRENT LIMITOR INRUSH 60Ω 20%	Cantherm	MF72-060D5
TP1, TP2, TP3, TP4	Terminal, Turret, TH, Double	Keystone Electronics	1502-2

**Note 1:** C4/RBLDR is a dual purpose pad which is unpopulated by default. A ceramic capacitor (C4) may be used here if extra high frequency bypassing is desired across the LED load. Alternatively a bleeder resistor (RBLDR) in the range of 10kΩ to 100kΩ may be placed here to quickly discharge C3 and prevent prolonged LED glow due to the energy stored in C3.

## Output Current versus Number of LEDs for Various Modifications

# of LEDs	Output Current (mA) Original Circuit	Output Current (mA) Modification A ( <i>Note 2</i> )	Output Current (mA) Modification B ( <i>Note 3</i> )	Output Current (mA) Modification C ( <i>Note 4</i> )
2				520
3				500
4				475
5	340	248	265	455
6	315	235	250	432
7	300	222	237	412
8	275	210	224	
9	260	200	212	
10	245	190	200	
11	230	180	190	
12	215	170	180	
13	205	164	170	
14 ( <i>Note 5</i> )	196	156	162	
15 ( <i>Note 5</i> )	190	150	155	
16 ( <i>Note 5</i> )	183	142	148	
17 ( <i>Note 5</i> )	175	135	142	
18 ( <i>Note 5</i> )	170	130	137	

**Note 2:** Modification A: R14 = 2.37 $\Omega$ , R16 = 150k $\Omega$ , C3 = 330 $\mu$ F, 63V.

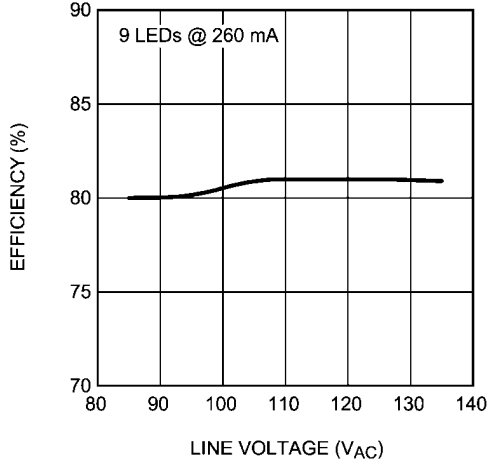
**Note 3:** Modification B: R14 = 2.2 $\Omega$ , R16 = 165k $\Omega$ .

**Note 4:** Modification C: R14 = 1.2 $\Omega$ , R16 = 137k $\Omega$ , L3 = 470 $\mu$ H, C3 = 1000 $\mu$ F, 25V.

**Note 5:** For all applications using greater than 13 LEDs a 330 $\mu$ F, 63V output capacitor (C3) was used.

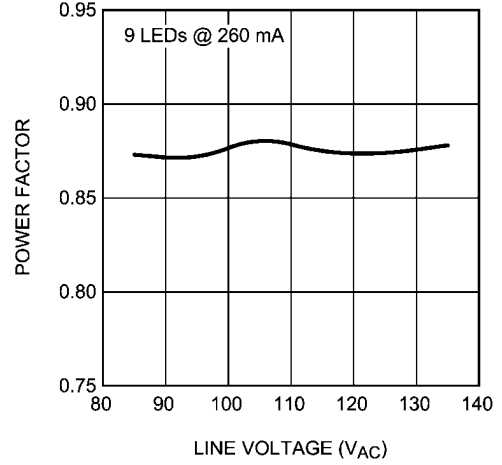
# Typical Performance Characteristics

**Efficiency vs. Line Voltage  
Original Circuit**



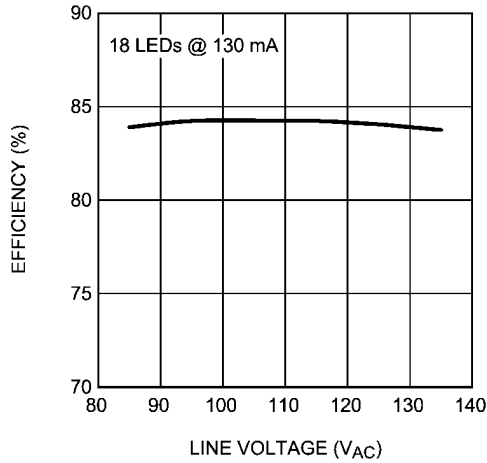
30124602

**Power Factor vs. Line Voltage  
Original Circuit**



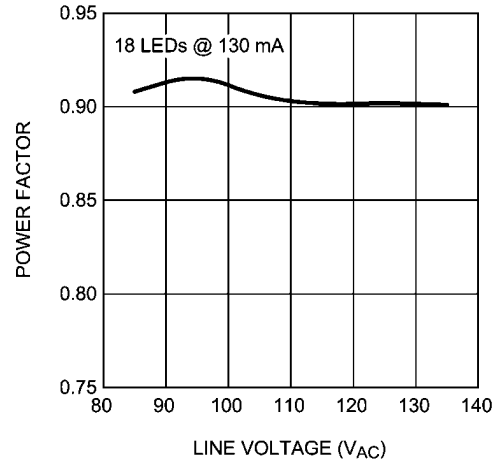
30124604

**Efficiency vs. Line Voltage  
Modification A**



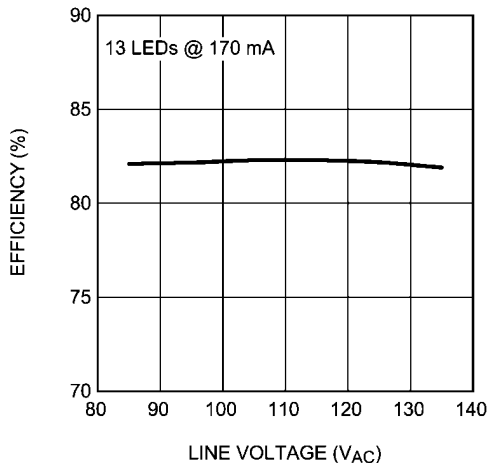
30124611

**Power Factor vs. Line Voltage  
Modification A**



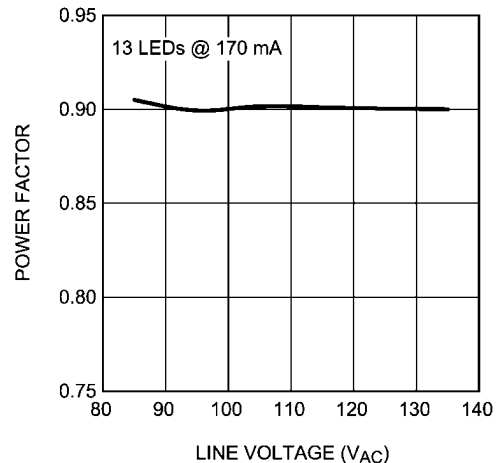
30124612

**Efficiency vs. Line Voltage  
Modification B**



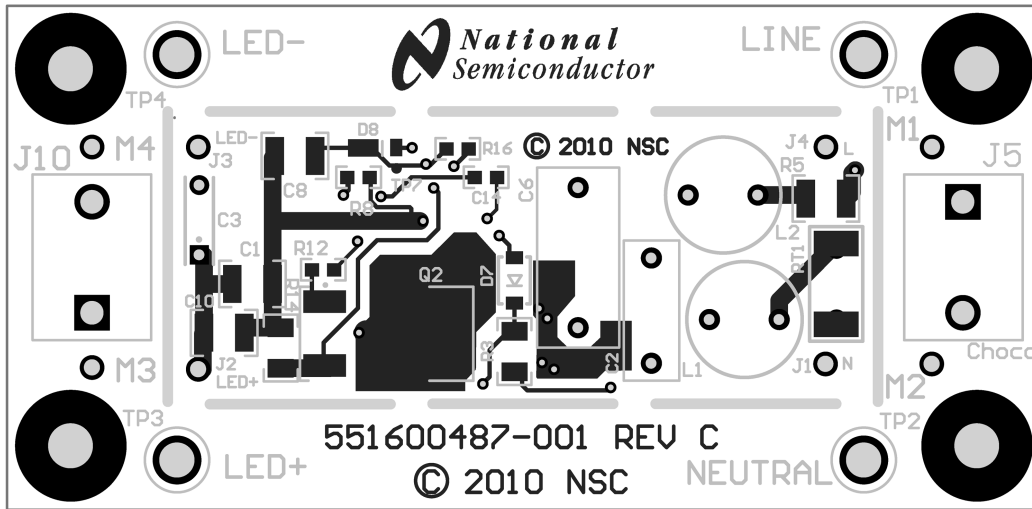
30124613

**Power Factor vs. Line Voltage  
Modification B**



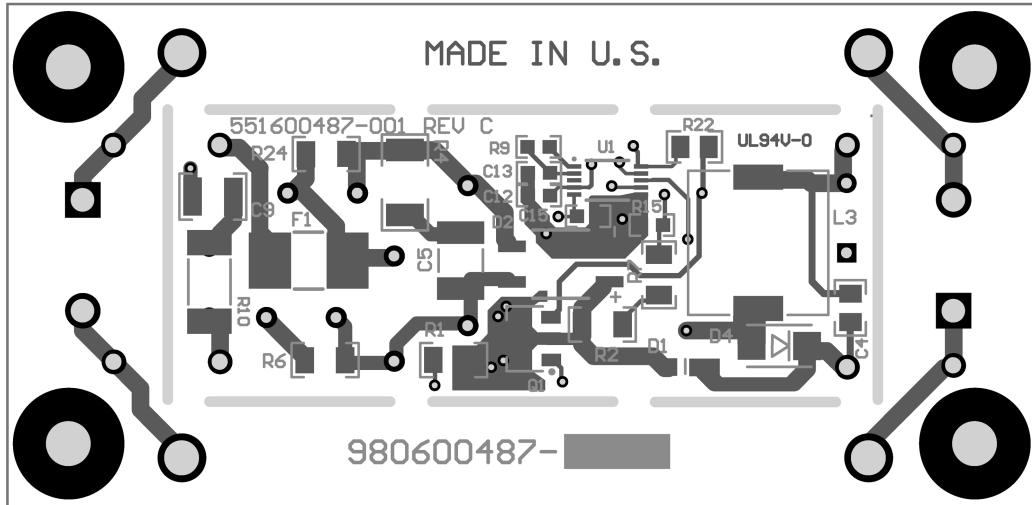
30124614

PCB Layout



Top Layer

30124610



Bottom Layer

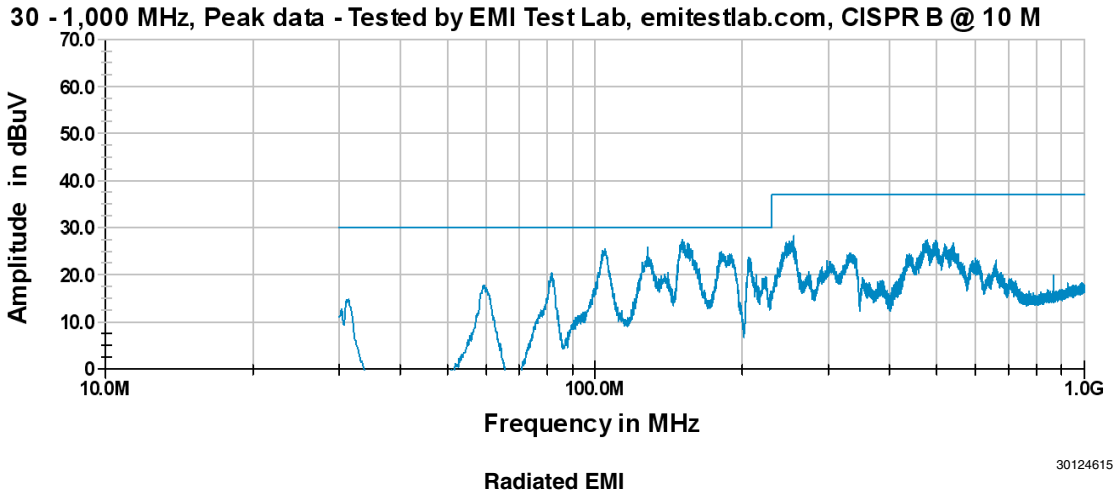
30124609

**Warning:** The LM3445 evaluation boards have no isolation or any type of protection from shock. Caution must be taken when handling evaluation board. Avoid touching evaluation board, and removing any cables while evaluation board is operating. Isolating the evaluation board rather than the oscilloscope is highly recommended.

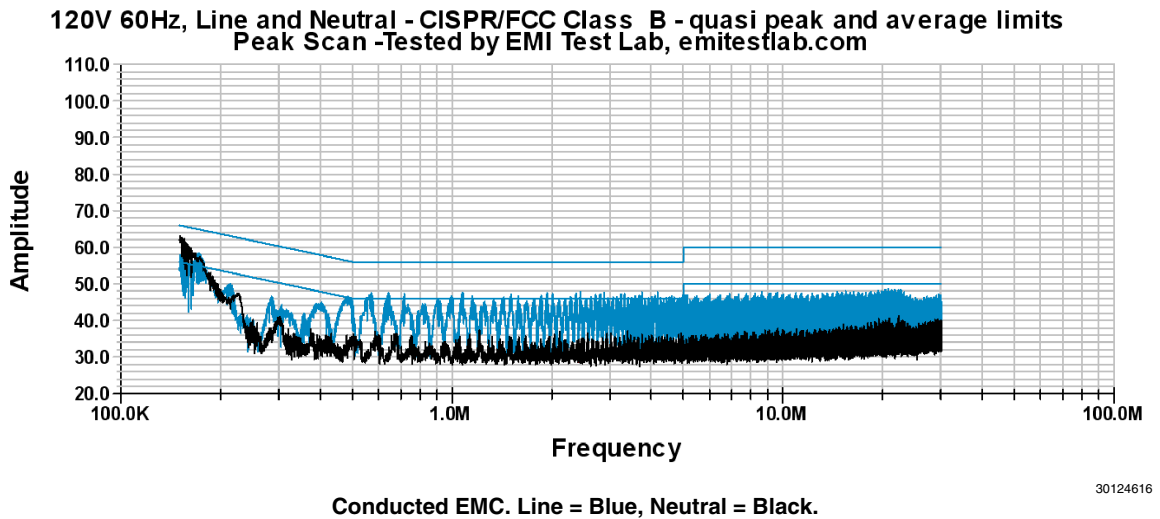


## EMI/EMC Information

### LM3445-EDSNEV Radiated



### LM3445-EDSNEV Conducted



	Frequency	Quasi-peak Amplitude	Quasi-peak Limit	Quasi-peak Delta	Average Amplitude	Average Limit	Average Delta
Neutral	154 kHz	57	66	-9	47	56	-9
Line	1.1 MHz				31	46	-15

# Notes

## Notes

For more National Semiconductor product information and proven design tools, visit the following Web sites at:  
[www.national.com](http://www.national.com)

Products		Design Support	
Amplifiers	<a href="http://www.national.com/amplifiers">www.national.com/amplifiers</a>	WEBENCH® Tools	<a href="http://www.national.com/webench">www.national.com/webench</a>
Audio	<a href="http://www.national.com/audio">www.national.com/audio</a>	App Notes	<a href="http://www.national.com/appnotes">www.national.com/appnotes</a>
Clock and Timing	<a href="http://www.national.com/timing">www.national.com/timing</a>	Reference Designs	<a href="http://www.national.com/refdesigns">www.national.com/refdesigns</a>
Data Converters	<a href="http://www.national.com/adc">www.national.com/adc</a>	Samples	<a href="http://www.national.com/samples">www.national.com/samples</a>
Interface	<a href="http://www.national.com/interface">www.national.com/interface</a>	Eval Boards	<a href="http://www.national.com/evalboards">www.national.com/evalboards</a>
LVDS	<a href="http://www.national.com/lvds">www.national.com/lvds</a>	Packaging	<a href="http://www.national.com/packaging">www.national.com/packaging</a>
Power Management	<a href="http://www.national.com/power">www.national.com/power</a>	Green Compliance	<a href="http://www.national.com/quality/green">www.national.com/quality/green</a>
Switching Regulators	<a href="http://www.national.com/switchers">www.national.com/switchers</a>	Distributors	<a href="http://www.national.com/contacts">www.national.com/contacts</a>
LDOs	<a href="http://www.national.com/ldo">www.national.com/ldo</a>	Quality and Reliability	<a href="http://www.national.com/quality">www.national.com/quality</a>
LED Lighting	<a href="http://www.national.com/led">www.national.com/led</a>	Feedback/Support	<a href="http://www.national.com/feedback">www.national.com/feedback</a>
Voltage References	<a href="http://www.national.com/vref">www.national.com/vref</a>	Design Made Easy	<a href="http://www.national.com/easy">www.national.com/easy</a>
PowerWise® Solutions	<a href="http://www.national.com/powerwise">www.national.com/powerwise</a>	Applications & Markets	<a href="http://www.national.com/solutions">www.national.com/solutions</a>
Serial Digital Interface (SDI)	<a href="http://www.national.com/sdi">www.national.com/sdi</a>	Mil/Aero	<a href="http://www.national.com/milaero">www.national.com/milaero</a>
Temperature Sensors	<a href="http://www.national.com/tempensors">www.national.com/tempensors</a>	SolarMagic™	<a href="http://www.national.com/solarmagic">www.national.com/solarmagic</a>
PLL/VCO	<a href="http://www.national.com/wireless">www.national.com/wireless</a>	PowerWise® Design University	<a href="http://www.national.com/training">www.national.com/training</a>

THE CONTENTS OF THIS DOCUMENT ARE PROVIDED IN CONNECTION WITH NATIONAL SEMICONDUCTOR CORPORATION ("NATIONAL") PRODUCTS. NATIONAL MAKES NO REPRESENTATIONS OR WARRANTIES WITH RESPECT TO THE ACCURACY OR COMPLETENESS OF THE CONTENTS OF THIS PUBLICATION AND RESERVES THE RIGHT TO MAKE CHANGES TO SPECIFICATIONS AND PRODUCT DESCRIPTIONS AT ANY TIME WITHOUT NOTICE. NO LICENSE, WHETHER EXPRESS, IMPLIED, ARISING BY ESTOPPEL OR OTHERWISE, TO ANY INTELLECTUAL PROPERTY RIGHTS IS GRANTED BY THIS DOCUMENT.

TESTING AND OTHER QUALITY CONTROLS ARE USED TO THE EXTENT NATIONAL DEEMS NECESSARY TO SUPPORT NATIONAL'S PRODUCT WARRANTY. EXCEPT WHERE MANDATED BY GOVERNMENT REQUIREMENTS, TESTING OF ALL PARAMETERS OF EACH PRODUCT IS NOT NECESSARILY PERFORMED. NATIONAL ASSUMES NO LIABILITY FOR APPLICATIONS ASSISTANCE OR BUYER PRODUCT DESIGN. BUYERS ARE RESPONSIBLE FOR THEIR PRODUCTS AND APPLICATIONS USING NATIONAL COMPONENTS. PRIOR TO USING OR DISTRIBUTING ANY PRODUCTS THAT INCLUDE NATIONAL COMPONENTS, BUYERS SHOULD PROVIDE ADEQUATE DESIGN, TESTING AND OPERATING SAFEGUARDS.

EXCEPT AS PROVIDED IN NATIONAL'S TERMS AND CONDITIONS OF SALE FOR SUCH PRODUCTS, NATIONAL ASSUMES NO LIABILITY WHATSOEVER, AND NATIONAL DISCLAIMS ANY EXPRESS OR IMPLIED WARRANTY RELATING TO THE SALE AND/OR USE OF NATIONAL PRODUCTS INCLUDING LIABILITY OR WARRANTIES RELATING TO FITNESS FOR A PARTICULAR PURPOSE, MERCHANTABILITY, OR INFRINGEMENT OF ANY PATENT, COPYRIGHT OR OTHER INTELLECTUAL PROPERTY RIGHT.

#### LIFE SUPPORT POLICY

**NATIONAL'S PRODUCTS ARE NOT AUTHORIZED FOR USE AS CRITICAL COMPONENTS IN LIFE SUPPORT DEVICES OR SYSTEMS WITHOUT THE EXPRESS PRIOR WRITTEN APPROVAL OF THE CHIEF EXECUTIVE OFFICER AND GENERAL COUNSEL OF NATIONAL SEMICONDUCTOR CORPORATION.** As used herein:

Life support devices or systems are devices which (a) are intended for surgical implant into the body, or (b) support or sustain life and whose failure to perform when properly used in accordance with instructions for use provided in the labeling can be reasonably expected to result in a significant injury to the user. A critical component is any component in a life support device or system whose failure to perform can be reasonably expected to cause the failure of the life support device or system or to affect its safety or effectiveness.

National Semiconductor and the National Semiconductor logo are registered trademarks of National Semiconductor Corporation. All other brand or product names may be trademarks or registered trademarks of their respective holders.

Copyright© 2010 National Semiconductor Corporation

For the most current product information visit us at [www.national.com](http://www.national.com)



**National Semiconductor**  
Americas Technical  
Support Center  
Email: [support@nsc.com](mailto:support@nsc.com)  
Tel: 1-800-272-9959

**National Semiconductor Europe**  
Technical Support Center  
Email: [europe.support@nsc.com](mailto:europe.support@nsc.com)

**National Semiconductor Asia**  
Pacific Technical Support Center  
Email: [ap.support@nsc.com](mailto:ap.support@nsc.com)

**National Semiconductor Japan**  
Technical Support Center  
Email: [jpn.feedback@nsc.com](mailto:jpn.feedback@nsc.com)

## IMPORTANT NOTICE

Texas Instruments Incorporated and its subsidiaries (TI) reserve the right to make corrections, modifications, enhancements, improvements, and other changes to its products and services at any time and to discontinue any product or service without notice. Customers should obtain the latest relevant information before placing orders and should verify that such information is current and complete. All products are sold subject to TI's terms and conditions of sale supplied at the time of order acknowledgment.

TI warrants performance of its hardware products to the specifications applicable at the time of sale in accordance with TI's standard warranty. Testing and other quality control techniques are used to the extent TI deems necessary to support this warranty. Except where mandated by government requirements, testing of all parameters of each product is not necessarily performed.

TI assumes no liability for applications assistance or customer product design. Customers are responsible for their products and applications using TI components. To minimize the risks associated with customer products and applications, customers should provide adequate design and operating safeguards.

TI does not warrant or represent that any license, either express or implied, is granted under any TI patent right, copyright, mask work right, or other TI intellectual property right relating to any combination, machine, or process in which TI products or services are used. Information published by TI regarding third-party products or services does not constitute a license from TI to use such products or services or a warranty or endorsement thereof. Use of such information may require a license from a third party under the patents or other intellectual property of the third party, or a license from TI under the patents or other intellectual property of TI.

Reproduction of TI information in TI data books or data sheets is permissible only if reproduction is without alteration and is accompanied by all associated warranties, conditions, limitations, and notices. Reproduction of this information with alteration is an unfair and deceptive business practice. TI is not responsible or liable for such altered documentation. Information of third parties may be subject to additional restrictions.

Resale of TI products or services with statements different from or beyond the parameters stated by TI for that product or service voids all express and any implied warranties for the associated TI product or service and is an unfair and deceptive business practice. TI is not responsible or liable for any such statements.

TI products are not authorized for use in safety-critical applications (such as life support) where a failure of the TI product would reasonably be expected to cause severe personal injury or death, unless officers of the parties have executed an agreement specifically governing such use. Buyers represent that they have all necessary expertise in the safety and regulatory ramifications of their applications, and acknowledge and agree that they are solely responsible for all legal, regulatory and safety-related requirements concerning their products and any use of TI products in such safety-critical applications, notwithstanding any applications-related information or support that may be provided by TI. Further, Buyers must fully indemnify TI and its representatives against any damages arising out of the use of TI products in such safety-critical applications.

TI products are neither designed nor intended for use in military/aerospace applications or environments unless the TI products are specifically designated by TI as military-grade or "enhanced plastic." Only products designated by TI as military-grade meet military specifications. Buyers acknowledge and agree that any such use of TI products which TI has not designated as military-grade is solely at the Buyer's risk, and that they are solely responsible for compliance with all legal and regulatory requirements in connection with such use.

TI products are neither designed nor intended for use in automotive applications or environments unless the specific TI products are designated by TI as compliant with ISO/TS 16949 requirements. Buyers acknowledge and agree that, if they use any non-designated products in automotive applications, TI will not be responsible for any failure to meet such requirements.

Following are URLs where you can obtain information on other Texas Instruments products and application solutions:

### Products

Audio	<a href="http://www.ti.com/audio">www.ti.com/audio</a>
Amplifiers	<a href="http://amplifier.ti.com">amplifier.ti.com</a>
Data Converters	<a href="http://dataconverter.ti.com">dataconverter.ti.com</a>
DLP® Products	<a href="http://www.dlp.com">www.dlp.com</a>
DSP	<a href="http://dsp.ti.com">dsp.ti.com</a>
Clocks and Timers	<a href="http://www.ti.com/clocks">www.ti.com/clocks</a>
Interface	<a href="http://interface.ti.com">interface.ti.com</a>
Logic	<a href="http://logic.ti.com">logic.ti.com</a>
Power Mgmt	<a href="http://power.ti.com">power.ti.com</a>
Microcontrollers	<a href="http://microcontroller.ti.com">microcontroller.ti.com</a>
RFID	<a href="http://www.ti-rfid.com">www.ti-rfid.com</a>
OMAP Mobile Processors	<a href="http://www.ti.com/omap">www.ti.com/omap</a>
Wireless Connectivity	<a href="http://www.ti.com/wirelessconnectivity">www.ti.com/wirelessconnectivity</a>

### Applications

Communications and Telecom	<a href="http://www.ti.com/communications">www.ti.com/communications</a>
Computers and Peripherals	<a href="http://www.ti.com/computers">www.ti.com/computers</a>
Consumer Electronics	<a href="http://www.ti.com/consumer-apps">www.ti.com/consumer-apps</a>
Energy and Lighting	<a href="http://www.ti.com/energy">www.ti.com/energy</a>
Industrial	<a href="http://www.ti.com/industrial">www.ti.com/industrial</a>
Medical	<a href="http://www.ti.com/medical">www.ti.com/medical</a>
Security	<a href="http://www.ti.com/security">www.ti.com/security</a>
Space, Avionics and Defense	<a href="http://www.ti.com/space-avionics-defense">www.ti.com/space-avionics-defense</a>
Transportation and Automotive	<a href="http://www.ti.com/automotive">www.ti.com/automotive</a>
Video and Imaging	<a href="http://www.ti.com/video">www.ti.com/video</a>

TI E2E Community Home Page

[e2e.ti.com](http://e2e.ti.com)

Mailing Address: Texas Instruments, Post Office Box 655303, Dallas, Texas 75265  
Copyright © 2011, Texas Instruments Incorporated