

LM3549

Application Note 2062 LM3549 Evaluation Kit



Literature Number: SNVA443

LM3549 Evaluation Kit

National Semiconductor
Application Note 2062
Anssi Raisanen
August 6, 2010



General Description

The LM3549 is a high power LED driver with up to 700mA output current. It has three constant current LED drivers and a buck boost SMPS for driving RGB LEDs with high efficiency. LED drivers are designed for sequential drive so only one driver can be enabled at a time.

LED driver output current settings can be stored to integrated non-volatile memory which allows stand-alone operation without I²C interface. Non-volatile memory is rewritable so current setting can be changed if needed.

LM3549 has a fault detection feature that can detect several different fault conditions. In case of a fault error flags are set and FAULT output sends interrupt to control logic. Error flags can be read through I²C interface.

Total brightness can be controlled with PWM input or with master fader register if I²C interface is used.

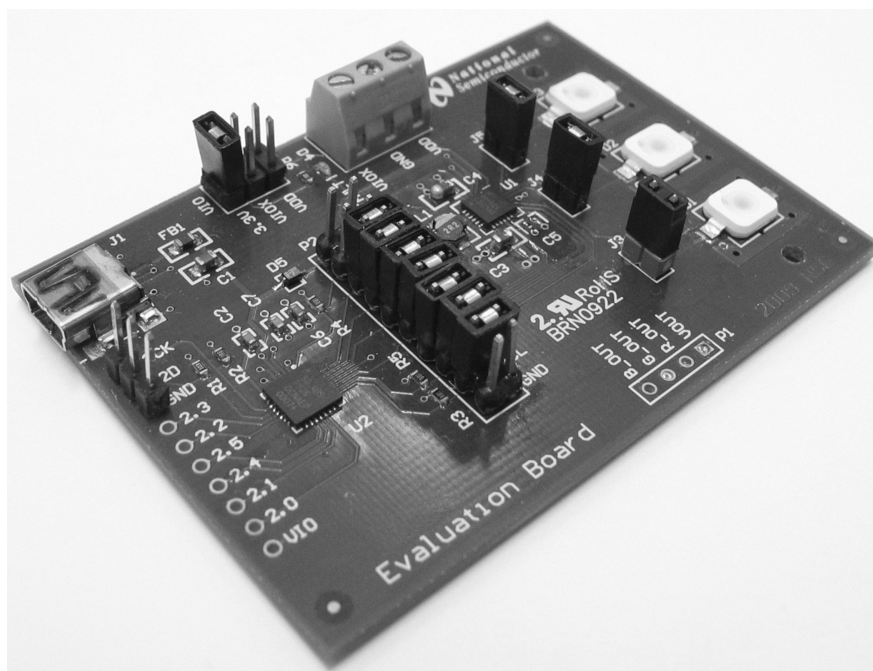
LM3549 Evaluation board is designed to help getting familiarized with the LM3549. It can be used to measure key parameters of the LM3549 and to speed up design in of the

device. The evaluation board has a microcontroller that acts as an USB to I²C interface. Microcontroller is also used to manipulate the digital control signals of the LM3549. LM3549 evaluation board can be powered from the USB interface or from external power supply. If evaluation board is used to measure the electrical parameters of the LM3549 or used with high output currents external powersupply needs to be used. If evaluation board is used to check the functionality of the LM3549 with small output currents or to support software development it can be powered directly from USB interface. This document describes how to get the LM3549 evaluation board up and running and how to use evaluation software.

What Is Needed

To get started you will need:

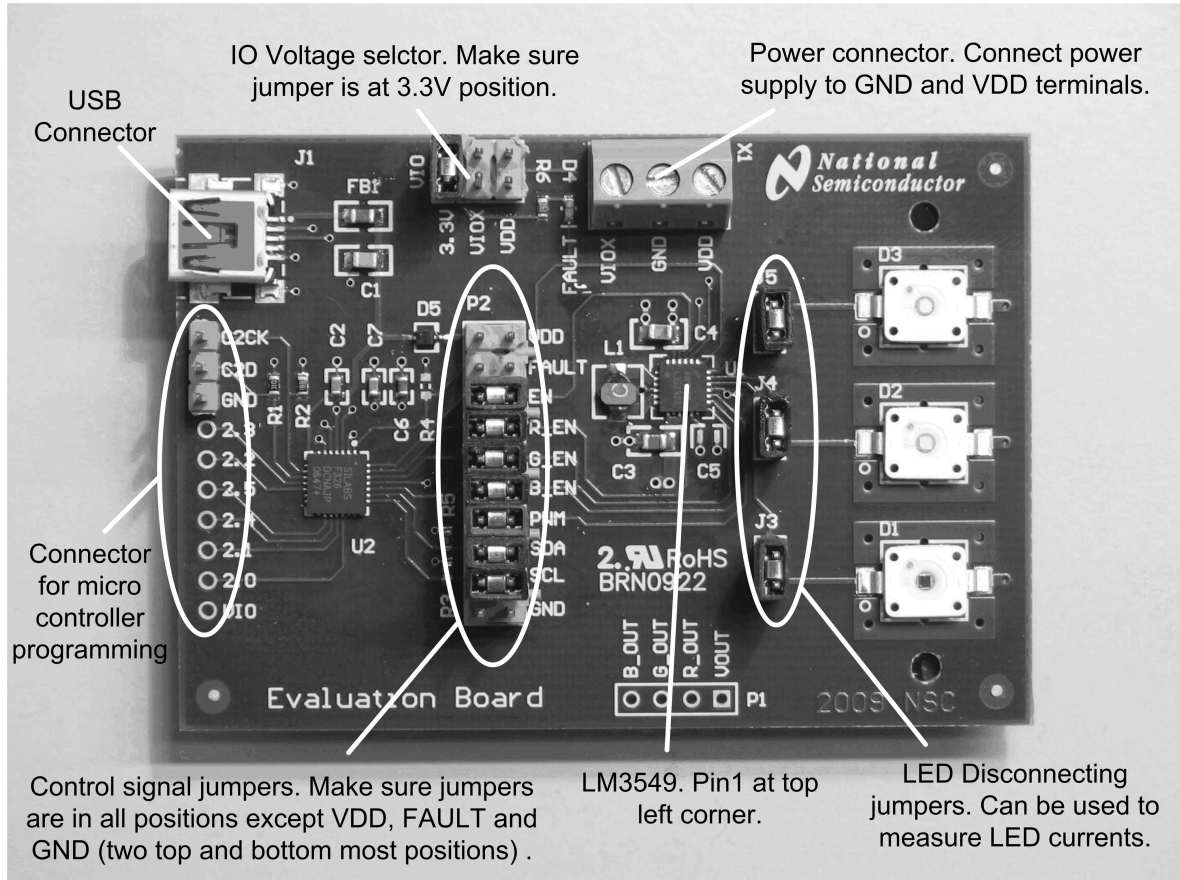
- LM3549 evaluation board
- LM3549 evaluation software (LM3549.exe)
- USB Cable
- PC with one free USB port



30125042

FIGURE 1.

Hardware Set-up



30125025

FIGURE 2. LM3549 Evaluation Board setup

The LM3549 evaluation kit is based on a one board system, where the USB communication and evaluation related components are assembled onto one board. (See [Figure 2](#)). The evaluation board was designed especially for evaluation and therefore is not optimized for the smallest layout size. The components are physically large to make changing component values easier.

LM3549 input voltage VDD can be supplied from the USB port or by connecting an external power supply to the X1 connector. If voltage is supplied from USB port shunt needs to be placed on the VDD position of P2 pin rail. If external power supply is used this shunt needs to be removed. USB port's maximum output current is 500mA. This is not enough to drive the LEDs with maximum output current but can be used to test functionality of the LM3549.

[Figure 2](#) shows how to setup the LM3549 evaluation board. This configuration uses onboard microcontroller to control the LM3549's logic inputs. If one wishes to use external source to drive the control signals, control signal jumpers needs to be removed and external control signals needs to be connected to the right side of the P2 pin rail. Control signals are labeled for easy connection.

I²C interface pull-up resistors are placed on the microcontroller side of the control signal jumpers. If external I²C interface is connected to the board it needs to have pull-up

resistors. LM3549 I²C ID is 36h (in 7bit format) -> write = 6Ch (8-bit format) and read = 6Dh (8-bit format)

The onboard microcontroller has USB interface to communicate with PC. Connect evaluation board to PC with USB cable. Evaluation software is used to control LM3549's logic inputs and to use the I²C interface. Evaluation software setup and use are described in the following chapters.

LM3549 evaluation board has three high current LEDs. These LED's are very bright even with minimum current setting. **Never look straight into the LEDs. This can damage your eyes!** It is good practice to always cover the LEDs with something to avoid looking straight into them.

CONNECTOR LISTING

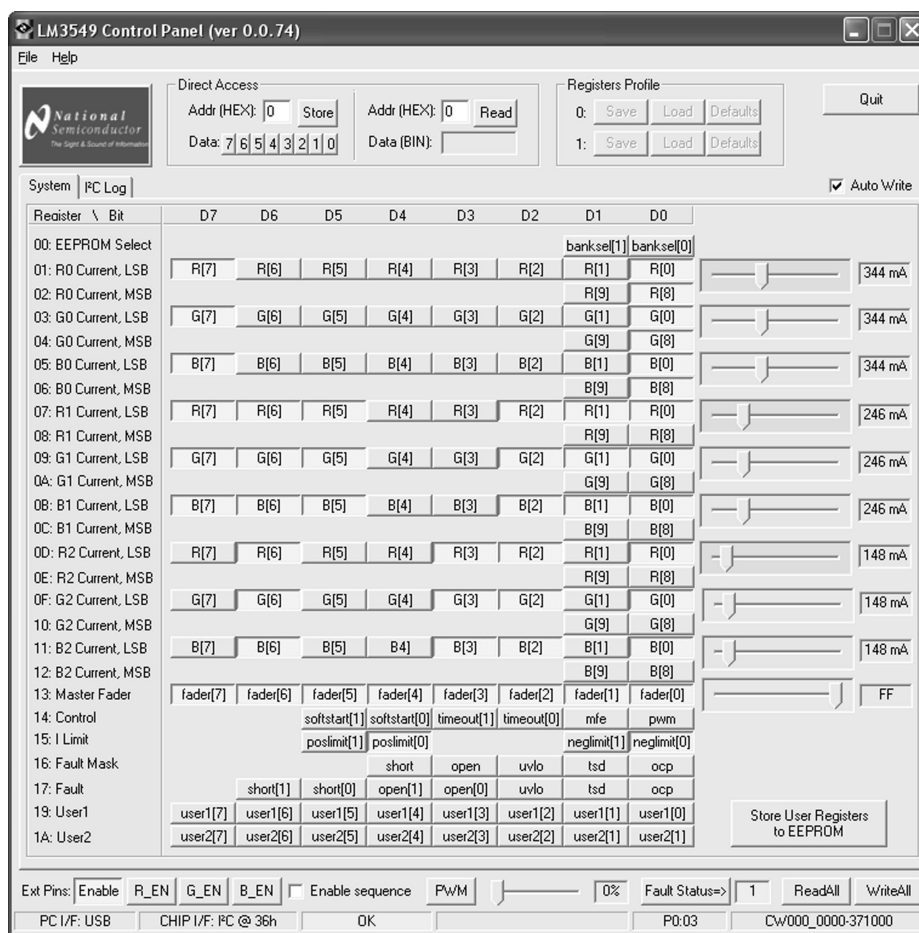
- J1 - USB connector. Use this to connect the LM3549 to your PC.
- VIO - selector for digital logic levels. There should be a shunt in 3.3V position.
- X1- power supply connector. VDD terminal can be used to supply LM3549 input voltage from external power supply. VIOX terminal can be used to connect external voltage for the digital signals.
- Connector for microcontroller programming is used to program the on-board microcontroller. This has no user functions and needs to always be unconnected.

- P2 - P2 pin rail is used to connect on-board microcontroller to LM3549 digital lines. If user want to connect LM3549 to his/her own system shunts can be removed and user system can be connected to right side pins of the P2 pin rail.
- J3, J4 and J5 - LED disconnecting jumpers. These can be used to disconnect the LEDs from LM3549 LED outputs. This can be used to test the fault detection or to measure LED currents.
- P1 - Connector for VOUT and LED outputs. This can be used to connect external LEDs to the LM3549 evaluation board.

Connecting the Evaluation Board to a Computer

1. Check that the jumpers on the evaluation board are on wanted positions.

2. Connect external power supply to the evaluation board or, if evaluation board is to be powered from USB port, set shunt to VDD position of the P2 pin rail.
3. Connect the USB board to your computer using a USB cable
4. Start the evaluation software *LM3549.exe*
5. Evaluation software may prompt you to update firmware of the LM3549 evaluation board. If it does click ok and wait until update is completed.
6. Status bar at the center of the bottom row should say "OK" on green background. This indicates that I2C interface between microcontroller and LM3549 is working correctly.
7. The evaluation kit is now fully up and running and the device can be controlled through the PC software. [Figure 3](#) shows the evaluation software user interface (Control Panel).



30125001

FIGURE 3. LM3549 Evaluation Software Control Panel

You should see USB OK message on the status bar (shown in the lower part of the window). If the USB communication is not working correctly, shut down the evaluation software and

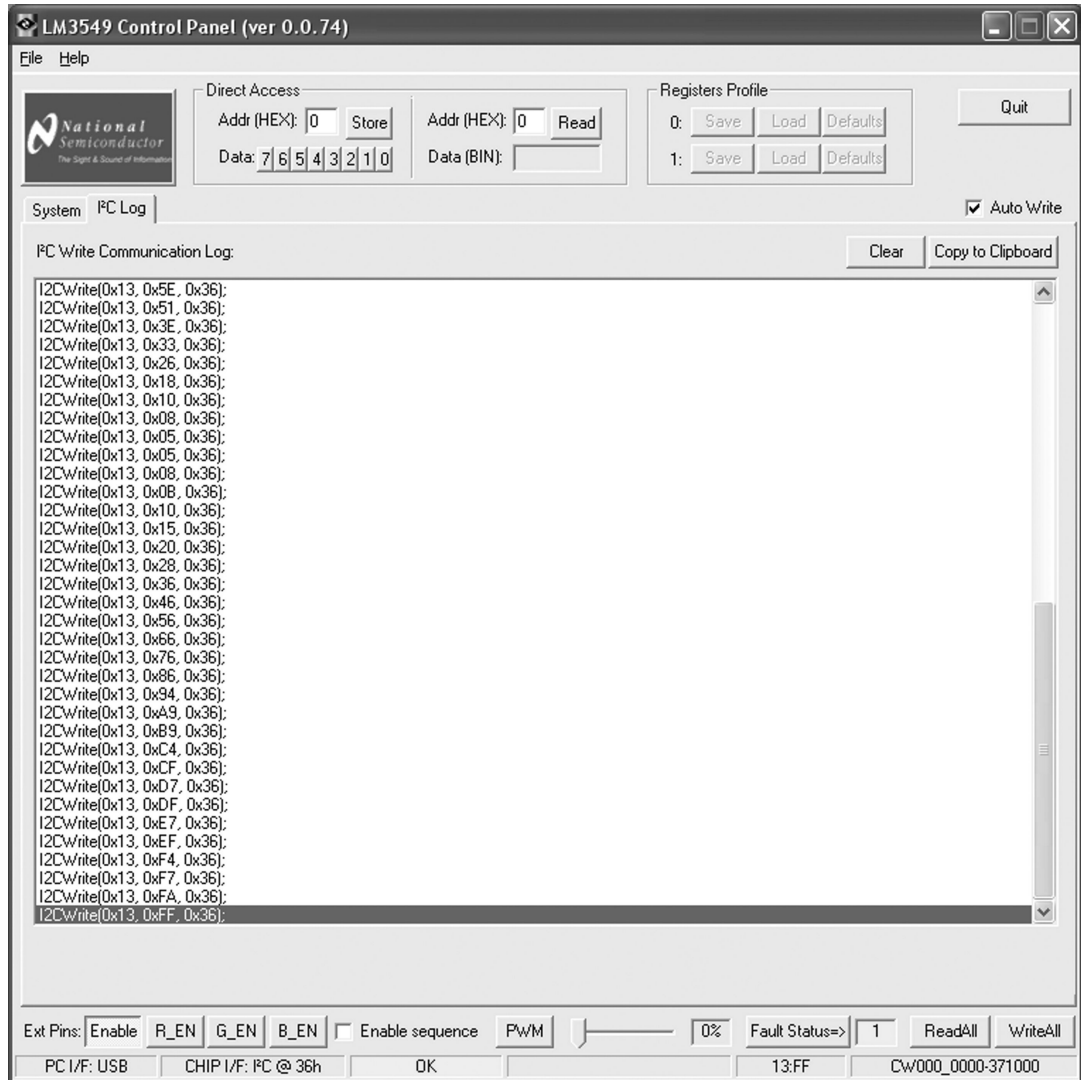
unplug the USB cable. Plug in the USB cable again and wait about 5 seconds and restart the evaluation software. You can also try toggling the Enable button few times.

Controlling the Evaluation Board

Evaluation software doesn't need installation and can be run by double clicking the icon. If evaluation board is set up correctly evaluation software's user interface should look like in [Figure 3](#). When software starts up it sets Enable control to "1" and reads the control register values. Status bar at the center of the bottom row should say OK on green background. This indicates that I2C interface between microcontroller and

LM3549 is working correctly. If there are any error messages on red background something is wrong with the I2C interface. In this case check the control signal jumpers and verify that proper VDD voltage is applied to the board.

The evaluation software provides read-write control over the registers within the LM3549. Bits can be set from a logical '1' to a logical '0' or vice versa by a mouse click and for some settings there is a slider control.



30125019

FIGURE 4. I2C Log View

Figure 4 shows the I2C Log tab of the evaluation software. All I2C write commands will be logged and can be seen on I2C Log tab. User can copy/paste write commands into his/her own application if needed.

I2C COMMUNICATION

LM3549 registers 00h-16h and 19h – 1Ah are read/write accessible using controls (buttons and track bars where available) on System tab of the software window. Register 17h (Fault register) is read only register. Button ReadAll reads all register values of the LM3549 and updates register map related buttons and track bars according to results. Note that

ReadAll button doesn't update external pin buttons. Button WriteAll stores values of buttons and track bars to LM3549. Note that specific register will be updated immediately when clicking/dragging on its control buttons or track bar if Auto Write checkbox is checked. I2C communication status after register read or write command are shown on status bar (at bottom of window).

DIRECT ACCESS TO REGISTERS

Controls on the frame Direct Access allows user to read/write from/to the chip registers manually. Enter the register address to the Addr field and choose the binary value by clicking on

the Data bits 7...0 and write the selected value to the chip register by clicking on the Store button. Note that after clicking the Store button all the register values will be read back automatically. Disable the automatic read by unchecking Auto Write checkbox. Enter register address to the Addr field and click the Read button to read the specific register. Result will be displayed in the Data field in binary format.

CONTROL SIGNALS

Buttons Enable, R_EN, G_EN, B_EN and PWM are used to manipulate input pins of the LM3549. Button Fault Status is used to read status of FAULT pin. Pin value appears to value bar beside the button.

Setting Enable button high puts LM3549 to standby mode. I2C registers can be read and written in standby mode but buck-boost converter and LED drivers are off. Setting Enable button low sets LM3549 to shutdown mode.

When device is on the standby mode LEDs can be turned on one at the time by clicking R_EN, G_EN or B_EN. Even if two or more buttons are turned high at the same time, only the LED that was set high first will be on.

Generation of special sequence of R, G and B signals can be enabled/disabled by checking/unchecking Enable sequence checkbox. Period of the sequence is about 60 Hz and is similar to that described in the LM3549 Datasheet. Note that

clicking on one of the R_EN, G_EN, B_EN button will disable sequence generation automatically.

PWM generation can be enabled by dragging PWM track bar on bottom of the window. PWM frequency is about 7.6kHz.

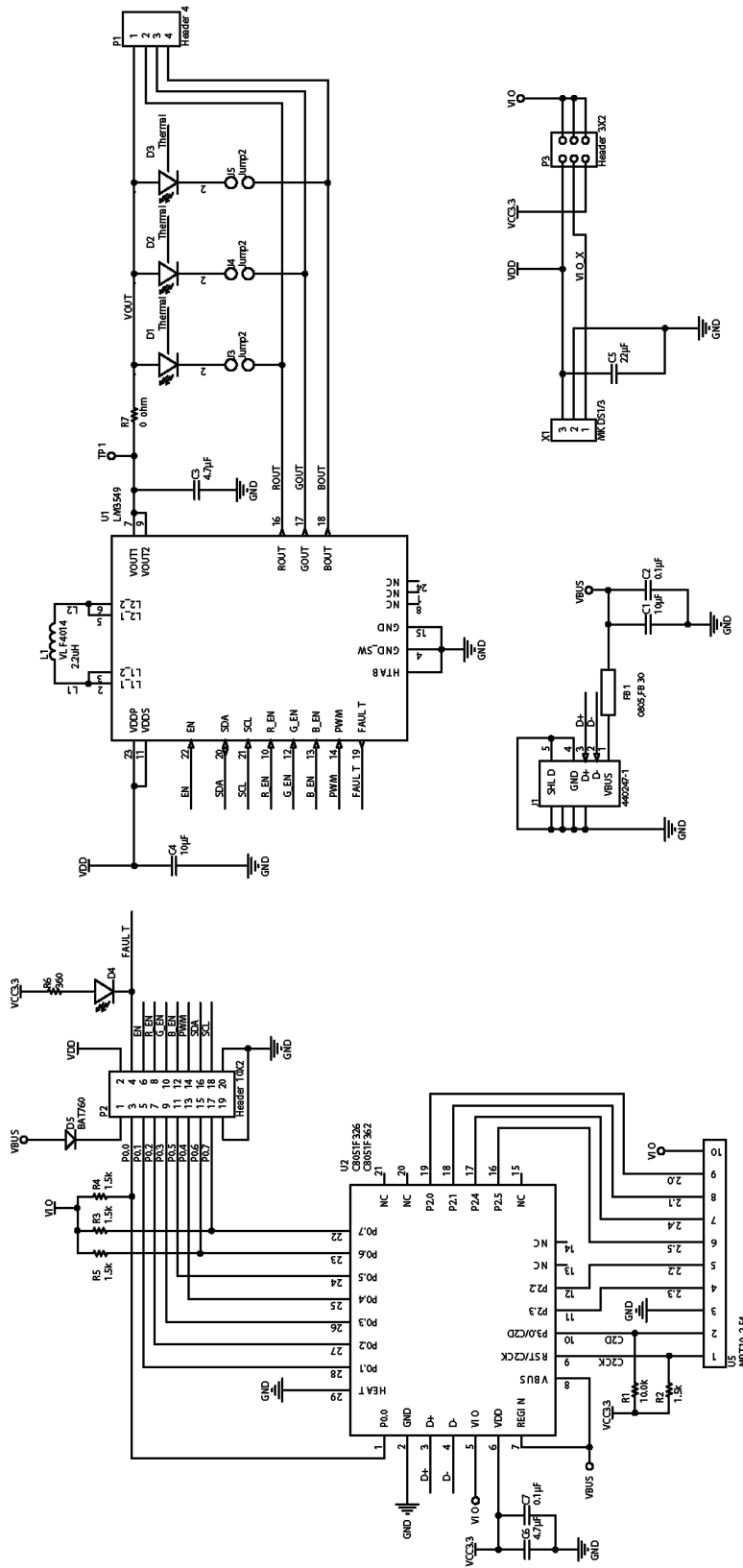
EEPROM PROGRAMMING

Desired default register values can be stored to EEPROM. These values are always read back to registers when Enable button is set from low to high. Keep the Enable button on and set all x_EN buttons off and uncheck Enable sequence box. Write suitable values to all user registers. Set VDD to 5.0V and click on the Store User Registers to EEPROM button. Set the Enable button off and back to on. Read all registers by pressing the ReadAll button and verify that the values match with the stored values.

FAULT LED

LED D4 is connected to LM3549's open drain fault output. If LM3549 detects any fault conditions e.g. LED short or LED open it pulls the fault output low and turns on the fault LED. LM3549 has a fault register which indicates what fault has occurred. Reading the fault register reset it's state and also reset the fault output to high-z state. Different fault conditions are described in the LM3549 datasheet.

Schematic



30125023

FIGURE 5. Schematic of the LM3549 Evaluation Board

Bill of Materials

Designator	Value	Footprint	Comment	Description	Quantity
C1, C4	10 μ F	0805	Capacitor		2
C2, C7	100 nF	0805	Capacitor		2
C3	4.7 μ F	0805	Capacitor		1
C5	22 μ F	1210	Capacitor		1
C6	4.7 μ F	0603	Capacitor		1
D1	LR W5AP		Red LED	Osram Diamond Dragon LED	1
D2	LT W5AP		Green LED	Osram Diamond Dragon LED	1
D3	LD W5AP		Blue LED	Osram Diamond Dragon LED	1
D4	LS L296	0603 LED	Red LED	Fault indicator LED	1
D5	BAT760			Schotky diode	1
FB1	BK2125HS101-T	2125	Ferrite bead		1
L1	2.2 μ H		VLF4014ST-2r2M1R9	TDK SMD inductor	1
R1	10 k Ω	0603	Resistor		1
R2, R3, R4, R5	1.5 k Ω	0603	Resistor		4
R6	330 Ω	0603	Resistor		1
R7	0 Ω	0805	Resistor		1
U1	LM3549	LLP24			1
U2	C8051F326	QFN-28	Microcontroller		1

Notes

For more National Semiconductor product information and proven design tools, visit the following Web sites at:
www.national.com

Products		Design Support	
Amplifiers	www.national.com/amplifiers	WEBENCH® Tools	www.national.com/webench
Audio	www.national.com/audio	App Notes	www.national.com/appnotes
Clock and Timing	www.national.com/timing	Reference Designs	www.national.com/refdesigns
Data Converters	www.national.com/adc	Samples	www.national.com/samples
Interface	www.national.com/interface	Eval Boards	www.national.com/evalboards
LVDS	www.national.com/lvds	Packaging	www.national.com/packaging
Power Management	www.national.com/power	Green Compliance	www.national.com/quality/green
Switching Regulators	www.national.com/switchers	Distributors	www.national.com/contacts
LDOs	www.national.com/ldo	Quality and Reliability	www.national.com/quality
LED Lighting	www.national.com/led	Feedback/Support	www.national.com/feedback
Voltage References	www.national.com/vref	Design Made Easy	www.national.com/easy
PowerWise® Solutions	www.national.com/powerwise	Applications & Markets	www.national.com/solutions
Serial Digital Interface (SDI)	www.national.com/sdi	Mil/Aero	www.national.com/milaero
Temperature Sensors	www.national.com/tempensors	SolarMagic™	www.national.com/solarmagic
PLL/VCO	www.national.com/wireless	PowerWise® Design University	www.national.com/training

THE CONTENTS OF THIS DOCUMENT ARE PROVIDED IN CONNECTION WITH NATIONAL SEMICONDUCTOR CORPORATION ("NATIONAL") PRODUCTS. NATIONAL MAKES NO REPRESENTATIONS OR WARRANTIES WITH RESPECT TO THE ACCURACY OR COMPLETENESS OF THE CONTENTS OF THIS PUBLICATION AND RESERVES THE RIGHT TO MAKE CHANGES TO SPECIFICATIONS AND PRODUCT DESCRIPTIONS AT ANY TIME WITHOUT NOTICE. NO LICENSE, WHETHER EXPRESS, IMPLIED, ARISING BY ESTOPPEL OR OTHERWISE, TO ANY INTELLECTUAL PROPERTY RIGHTS IS GRANTED BY THIS DOCUMENT.

TESTING AND OTHER QUALITY CONTROLS ARE USED TO THE EXTENT NATIONAL DEEMS NECESSARY TO SUPPORT NATIONAL'S PRODUCT WARRANTY. EXCEPT WHERE MANDATED BY GOVERNMENT REQUIREMENTS, TESTING OF ALL PARAMETERS OF EACH PRODUCT IS NOT NECESSARILY PERFORMED. NATIONAL ASSUMES NO LIABILITY FOR APPLICATIONS ASSISTANCE OR BUYER PRODUCT DESIGN. BUYERS ARE RESPONSIBLE FOR THEIR PRODUCTS AND APPLICATIONS USING NATIONAL COMPONENTS. PRIOR TO USING OR DISTRIBUTING ANY PRODUCTS THAT INCLUDE NATIONAL COMPONENTS, BUYERS SHOULD PROVIDE ADEQUATE DESIGN, TESTING AND OPERATING SAFEGUARDS.

EXCEPT AS PROVIDED IN NATIONAL'S TERMS AND CONDITIONS OF SALE FOR SUCH PRODUCTS, NATIONAL ASSUMES NO LIABILITY WHATSOEVER, AND NATIONAL DISCLAIMS ANY EXPRESS OR IMPLIED WARRANTY RELATING TO THE SALE AND/OR USE OF NATIONAL PRODUCTS INCLUDING LIABILITY OR WARRANTIES RELATING TO FITNESS FOR A PARTICULAR PURPOSE, MERCHANTABILITY, OR INFRINGEMENT OF ANY PATENT, COPYRIGHT OR OTHER INTELLECTUAL PROPERTY RIGHT.

LIFE SUPPORT POLICY

NATIONAL'S PRODUCTS ARE NOT AUTHORIZED FOR USE AS CRITICAL COMPONENTS IN LIFE SUPPORT DEVICES OR SYSTEMS WITHOUT THE EXPRESS PRIOR WRITTEN APPROVAL OF THE CHIEF EXECUTIVE OFFICER AND GENERAL COUNSEL OF NATIONAL SEMICONDUCTOR CORPORATION. As used herein:

Life support devices or systems are devices which (a) are intended for surgical implant into the body, or (b) support or sustain life and whose failure to perform when properly used in accordance with instructions for use provided in the labeling can be reasonably expected to result in a significant injury to the user. A critical component is any component in a life support device or system whose failure to perform can be reasonably expected to cause the failure of the life support device or system or to affect its safety or effectiveness.

National Semiconductor and the National Semiconductor logo are registered trademarks of National Semiconductor Corporation. All other brand or product names may be trademarks or registered trademarks of their respective holders.

Copyright© 2010 National Semiconductor Corporation

For the most current product information visit us at www.national.com



**National Semiconductor
Americas Technical
Support Center**
Email: support@nsc.com
Tel: 1-800-272-9959

**National Semiconductor Europe
Technical Support Center**
Email: europe.support@nsc.com

**National Semiconductor Asia
Pacific Technical Support Center**
Email: ap.support@nsc.com

**National Semiconductor Japan
Technical Support Center**
Email: jpn.feedback@nsc.com

IMPORTANT NOTICE

Texas Instruments Incorporated and its subsidiaries (TI) reserve the right to make corrections, modifications, enhancements, improvements, and other changes to its products and services at any time and to discontinue any product or service without notice. Customers should obtain the latest relevant information before placing orders and should verify that such information is current and complete. All products are sold subject to TI's terms and conditions of sale supplied at the time of order acknowledgment.

TI warrants performance of its hardware products to the specifications applicable at the time of sale in accordance with TI's standard warranty. Testing and other quality control techniques are used to the extent TI deems necessary to support this warranty. Except where mandated by government requirements, testing of all parameters of each product is not necessarily performed.

TI assumes no liability for applications assistance or customer product design. Customers are responsible for their products and applications using TI components. To minimize the risks associated with customer products and applications, customers should provide adequate design and operating safeguards.

TI does not warrant or represent that any license, either express or implied, is granted under any TI patent right, copyright, mask work right, or other TI intellectual property right relating to any combination, machine, or process in which TI products or services are used. Information published by TI regarding third-party products or services does not constitute a license from TI to use such products or services or a warranty or endorsement thereof. Use of such information may require a license from a third party under the patents or other intellectual property of the third party, or a license from TI under the patents or other intellectual property of TI.

Reproduction of TI information in TI data books or data sheets is permissible only if reproduction is without alteration and is accompanied by all associated warranties, conditions, limitations, and notices. Reproduction of this information with alteration is an unfair and deceptive business practice. TI is not responsible or liable for such altered documentation. Information of third parties may be subject to additional restrictions.

Resale of TI products or services with statements different from or beyond the parameters stated by TI for that product or service voids all express and any implied warranties for the associated TI product or service and is an unfair and deceptive business practice. TI is not responsible or liable for any such statements.

TI products are not authorized for use in safety-critical applications (such as life support) where a failure of the TI product would reasonably be expected to cause severe personal injury or death, unless officers of the parties have executed an agreement specifically governing such use. Buyers represent that they have all necessary expertise in the safety and regulatory ramifications of their applications, and acknowledge and agree that they are solely responsible for all legal, regulatory and safety-related requirements concerning their products and any use of TI products in such safety-critical applications, notwithstanding any applications-related information or support that may be provided by TI. Further, Buyers must fully indemnify TI and its representatives against any damages arising out of the use of TI products in such safety-critical applications.

TI products are neither designed nor intended for use in military/aerospace applications or environments unless the TI products are specifically designated by TI as military-grade or "enhanced plastic." Only products designated by TI as military-grade meet military specifications. Buyers acknowledge and agree that any such use of TI products which TI has not designated as military-grade is solely at the Buyer's risk, and that they are solely responsible for compliance with all legal and regulatory requirements in connection with such use.

TI products are neither designed nor intended for use in automotive applications or environments unless the specific TI products are designated by TI as compliant with ISO/TS 16949 requirements. Buyers acknowledge and agree that, if they use any non-designated products in automotive applications, TI will not be responsible for any failure to meet such requirements.

Following are URLs where you can obtain information on other Texas Instruments products and application solutions:

Products

Audio	www.ti.com/audio
Amplifiers	amplifier.ti.com
Data Converters	dataconverter.ti.com
DLP® Products	www.dlp.com
DSP	dsp.ti.com
Clocks and Timers	www.ti.com/clocks
Interface	interface.ti.com
Logic	logic.ti.com
Power Mgmt	power.ti.com
Microcontrollers	microcontroller.ti.com
RFID	www.ti-rfid.com
OMAP Mobile Processors	www.ti.com/omap
Wireless Connectivity	www.ti.com/wirelessconnectivity

Applications

Communications and Telecom	www.ti.com/communications
Computers and Peripherals	www.ti.com/computers
Consumer Electronics	www.ti.com/consumer-apps
Energy and Lighting	www.ti.com/energy
Industrial	www.ti.com/industrial
Medical	www.ti.com/medical
Security	www.ti.com/security
Space, Avionics and Defense	www.ti.com/space-avionics-defense
Transportation and Automotive	www.ti.com/automotive
Video and Imaging	www.ti.com/video

TI E2E Community Home Page

e2e.ti.com

Mailing Address: Texas Instruments, Post Office Box 655303, Dallas, Texas 75265
Copyright © 2011, Texas Instruments Incorporated