

LM3402

Application Note 1500 LM3402/02HV Demo Board



Literature Number: SNVA175B

LM3402/02HV Demo Board

National Semiconductor
Application Note 1500
Chris Richardson
June 2007



Introduction

The LM3402/LM3402HV is a buck regulator derived controlled current source designed to drive a series string of high power, high brightness LEDs (HBLEDs) such as the Luxeon™ I Emitter at forward currents of up to 500 mA. The board can accept an input voltage ranging from 6V to 42V when using the LM3402. When using the pin-for-pin compatible LM3402HV the upper bound of input voltage is 75V. The converter output voltage adjusts as needed to maintain a constant current through the LED array. The LM3402/02HV is a true step-down regulator with an output voltage range extending from a $V_{O(MIN)}$ of 200 mV (the reference voltage) to a $V_{O(MAX)}$ determined by the minimum off time (typically 300 ns). It can maintain regulated current through any number of LEDs as long as the combined forward voltage of the array does not exceed $V_{O(MAX)}$.

Circuit Performance LM3402

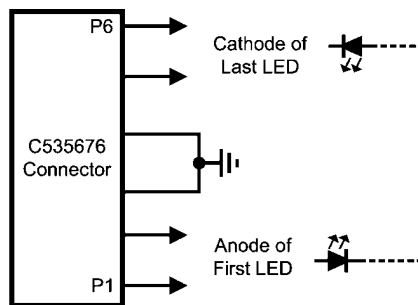
The LM3402 circuit and BOM have been designed to provide a constant forward current of 350 mA to a single LED with a forward voltage of approximately 3.5V. (Typical of white, blue, and green LEDs using InGaN technology.) When powered from a 24V $\pm 5\%$ input the demo board will maintain the average LED current, I_F , to within 10% of 350 mA. The ripple current, Δi_F , will not exceed 70 mA peak-to-peak. Switching frequency for the demo board is 600 kHz $\pm 10\%$ over the input voltage range of 6V to 42V.

Circuit Performance LM3402HV

The LM3402HV circuit and BOM have been designed to provide a constant forward current of 350 mA to a single LED with a forward voltage of approximately 3.5V. When powered from a 48V $\pm 5\%$ input the demo board will maintain I_F to within $\pm 5\%$ of 350 mA. Ripple current will not exceed 70 mA peak-to-peak. Switching frequency for the demo board is 250 kHz $\pm 10\%$ over the input voltage range of 6V to 75V.

Connecting to LED Array

The LM3402/02HV demo board includes a female 6-pin SIP, **J1**, connector as well as two standard 94mil turret connectors for the cathode and anode connections of the LED array. Figure 1 shows the pinout of **J1**. Solid, 18 or 20 gauge wire with about 1 cm of insulation stripped away makes a convenient, solderless connection to **J1**.



20198001

FIGURE 1.

Setting the LED Current

The default forward current I_{LED} delivered to the LED array is 350 mA, typical of many 1W LEDs. To adjust this value the current setting resistor R_{SNS} can be changed according to the following equation:

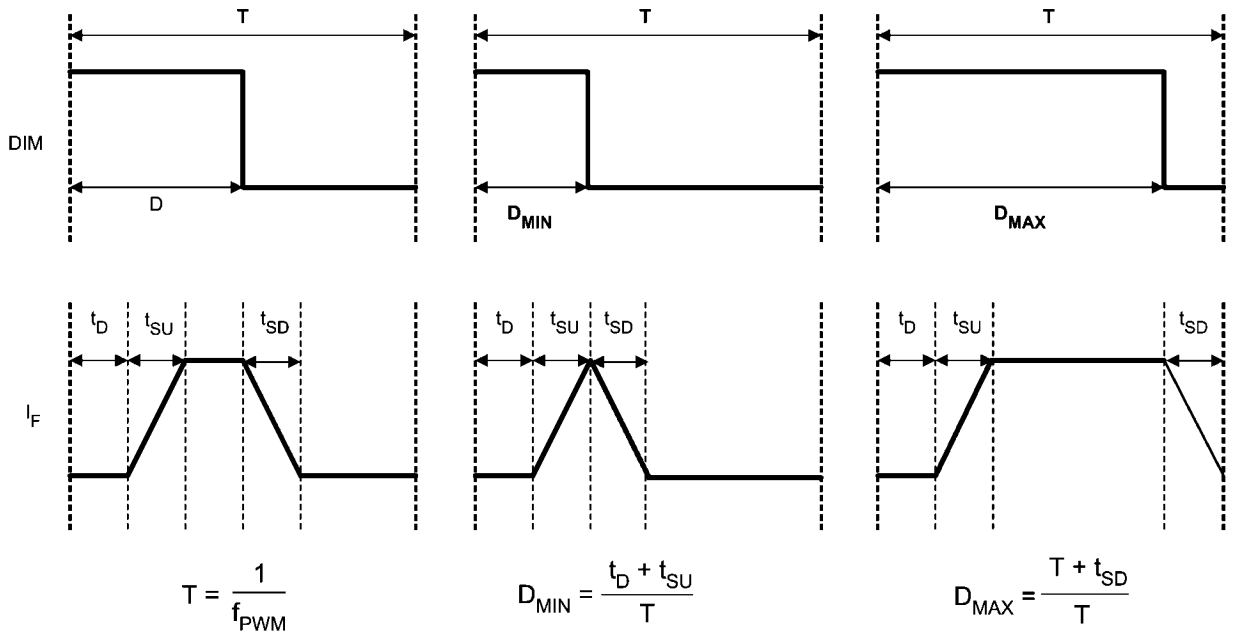
$$R_{SNS} = \frac{0.2 \times L}{I_F \times L + V_O \times t_{SNS} - \frac{V_{IN} - V_O}{2} \times t_{ON}}$$

$$t_{SNS} = 220 \text{ ns}$$

This resistor should be rated to handle the power dissipation of the LED current. For example, the closest 5% tolerance resistor to set an LED current of 350 mA is 0.56 Ω . In steady state this resistor will dissipate $(0.352 \times 0.56) = 69 \text{ mW}$, indicating that a resistor with a 1/8W power rating is appropriate.

PWM Dimming

The **DIM1** terminal on the PCB provides an input for a pulse width modulation signal for dimming of the LED array. In order to fully enable and disable the LM3402/02HV the PWM signal should have a maximum logic low level of 0.8V and a minimum logic high level of 2.2V. The maximum PWM dimming frequency, minimum PWM duty cycle and maximum duty cycle are illustrated in Figure 2. PWM frequency should be at least one order of magnitude below the LM3402/02HV switching frequency. The interval t_D represents the delay from a logic high at the DIM pin to the onset of the output current. The quantities t_{SU} and t_{SD} represent the time needed for the output current to slew up to steady state and slew down to zero, respectively. Typical response times for the standard LM3402 and LM3402HV demo boards circuits are shown in the Typical Performance Characteristics section.



20198002

FIGURE 2. PWM Dimming Limits

The logic of **DIM1** is direct, hence the LM3402/02HV will deliver regulated output current when the voltage at **DIM1** is high, and the current output is disabled when the voltage at **DIM1** is low. Connecting a constant logic low will disable the output, and the LM3402/02HV is enabled if the DIM pin is open-circuited. The **DIM1** function disables only the power NFET, leaving all other circuit blocks functioning to minimize the converter response time.

The **DIM2** terminal provides a second method for PWM dimming by connecting to the gate of an optional NFET, **Q1**. Note that **Q1** is not provided on the standard BOM, and must be added for the **DIM2** function to operate. **Q1** provides a parallel path for the LED current. This small NFET can be turned on and off much more quickly than the LM3402/02HV can shut down the internal NFET, providing faster response time for higher frequency and/or greater resolution in the PWM dimming signal. The tradeoff in this method is that the full current flows through **Q1** while the LED is off, resulting in lower efficiency.

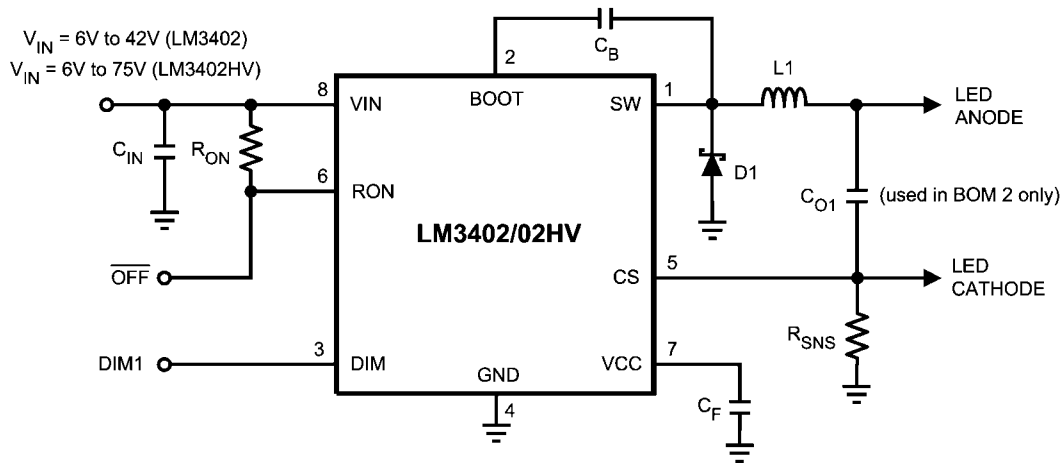
The logic of **DIM2** is inverted, hence the LM3402/02HV will deliver regulated output current when the voltage at **DIM2** is low, and the current output is disabled when the voltage at **DIM2** is high. Connecting a constant logic high to the **DIM2** will turn off the LED but will not shut down the LM3402/02HV.

Low Power Shutdown

The LM3402/02HV can be placed into a low power shutdown (typically 90 μA) by grounding the **OFF*** terminal. During normal operation this terminal should be left open-circuit.

Output Open Circuit

With either DIM terminal floating or connected to logic high, the LM3402/02HV will begin to operate as soon as it has an input of at least 6V. In the case that the input is powered but no LED array is connected the output voltage will rise to equal the input voltage. The output of the circuit is rated to 50V (LM3402) or 100V (LM3402HV) and will not suffer damage, however care should be taken not to connect an LED array if the output voltage is higher than the target forward voltage of the LED array in steady state. Alternatively, a zener diode and zener current limiting resistor can be placed in the positions **Z1** and **R_z**. In the case of an accidental open circuit at the output **Z1** will enter reverse bias and attempt to pull the CS pin voltage up to the output voltage. An internal comparator monitors the CS pin voltage and will disable the internal NFET in this case. The result is a low power hiccup mode, designed to prevent excessive voltage at the output and thermal stress on the inductor, internal NFET, and input voltage source.



20198004

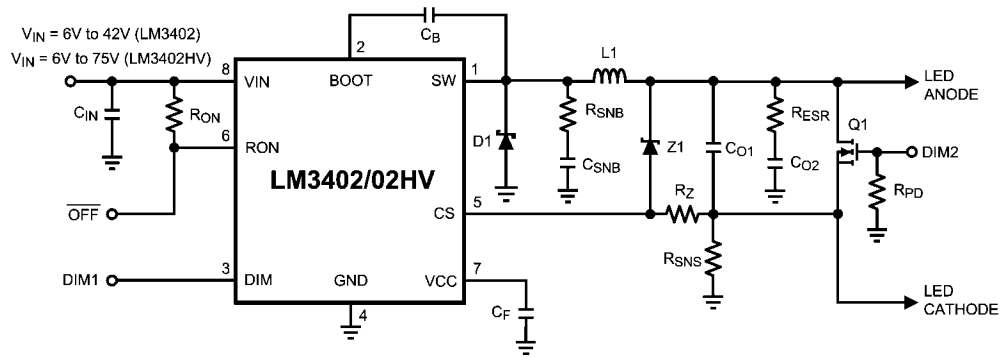
FIGURE 3. Standard Schematic

TABLE 1. BOM 1 (LM3402)

ID	Part Number	Type	Size	Parameters	Qty	Vendor
U1	LM3402	LED Driver	MSOP-8	42V, 0.5A	1	NSC
L1	SLF10145T-101M1R0	Inductor	10.1 x 10.1 x 4.5mm	100 μ H, 1A, 0.2 Ω	1	TDK
D1	CMSH1-60M	Schottky Diode	SMA	60V, 1A	1	Central Semi
Cf	VJ0805Y104KXXAT	Capacitor	0805	100nF 10%	1	Vishay
Cb	VJ0805Y103KXXAT	Capacitor	0805	10nF 10%	1	Vishay
Cin	C3216X7R1H105M	Capacitor	1206	1 μ F 50V	1	TDK
Rsns	ERJ6BQFR56V	Resistor	0805	0.56 Ω 1%	1	Panasonic
Ron	CRCW08054642F	Resistor	0805	46.4k Ω 1%	1	Vishay
Rz	CRCW08050R00F	Resistor	0805	0 Ω	1	Vishay
DIM1, DIM2	160-1512	Terminal Silver	0.062"		2	Cambion
GND1, GND2, GND3, VIN, ISNS / C, Vo / A, SW	160-1026	Terminal Silver	0.094"		7	Cambion
J1	535676-5	Connector	Custom	6 Pins	1	Tyco/AMP

TABLE 2. BOM 2 (LM3402HV)

ID	Part Number	Type	Size	Parameters	Qty	Vendor
U1	LM3402HV	LED Driver	MSOP-8	75V, 0.5A	1	NSC
L1	SLF10145T-151MR79	Inductor	10.1 x 10.1 x 4.5mm	150 μ H, 0.8A, 0.2 Ω	1	TDK
D1	CMSH1-100M	Schottky Diode	SMA	100V, 1A	1	Central Semi
Cf	VJ0805Y104KXXAT	Capacitor	0805	100nF 10%	1	Vishay
Cb	VJ0805Y103KXXAT	Capacitor	0805	10nF 10%	1	Vishay
Cin	C3225X7R2A105M	Capacitor	1210	1 μ F 100V	1	TDK
Co1	C3216X7R1E225M	Capacitor	1206	2.2 μ F 25V	1	TDK
Rsns	ERJ6BQFR68V	Resistor	0805	0.68 Ω 1%	1	Panasonic
Ron	CRCW08051303F	Resistor	0805	130k Ω 1%	1	Vishay
Rz	CRCW08050R00F	Resistor	0805	0 Ω	1	Vishay
DIM1, DIM2	160-1512	Terminal Silver	0.062"		2	Cambion
GND1, GND2, GND3, VIN, ISNS / C, Vo / A, SW	160-1026	Terminal Silver	0.094"		7	Cambion
J1	535676-5	Connector	Custom	6 Pins	1	Tyco/AMP

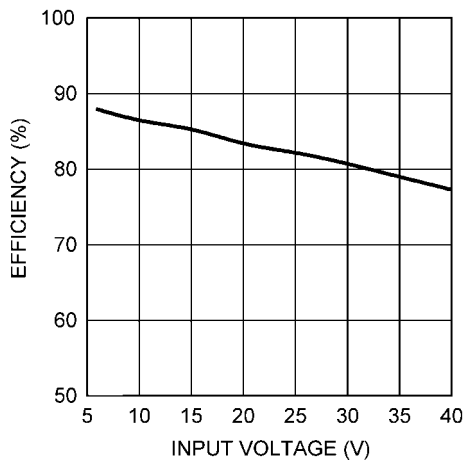


20198005

FIGURE 4. Complete Evaluation Board Schematic

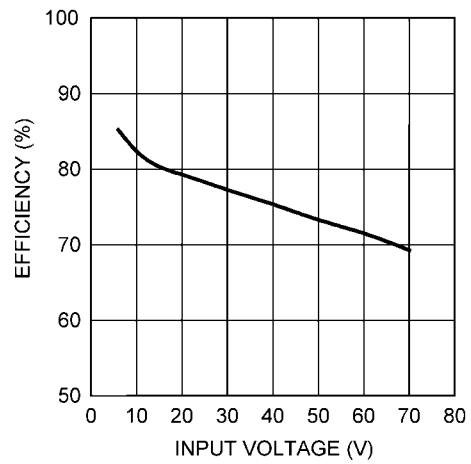
Typical Performance Characteristics

Efficiency for Table 1
 $T_A = 25^\circ\text{C}$, $I_F = 350\text{ mA}$



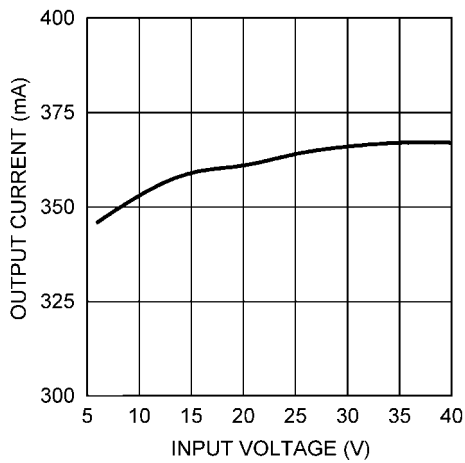
20198008

Efficiency for Table 2
 $T_A = 25^\circ\text{C}$, $I_F = 350\text{ mA}$



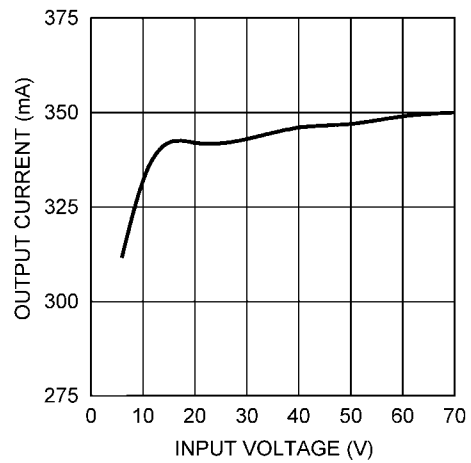
20198009

I_F vs V_{IN} for Table 1
 $T_A = 25^\circ\text{C}$



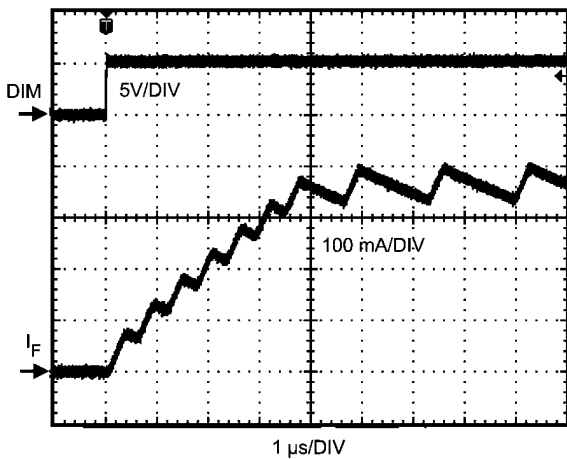
20198010

I_F vs V_{IN} for Table 2
 $T_A = 25^\circ\text{C}$



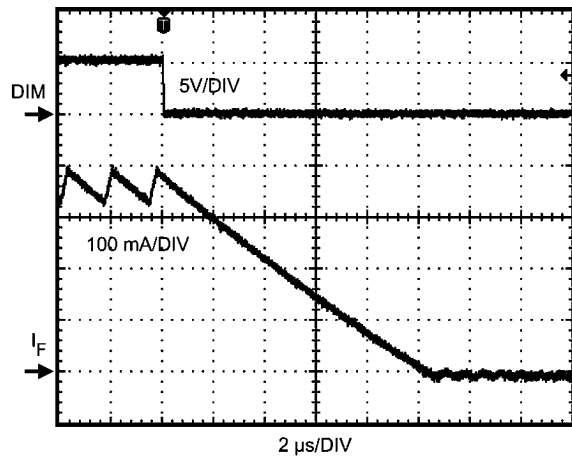
20198011

DIM Pin Enable Table 1



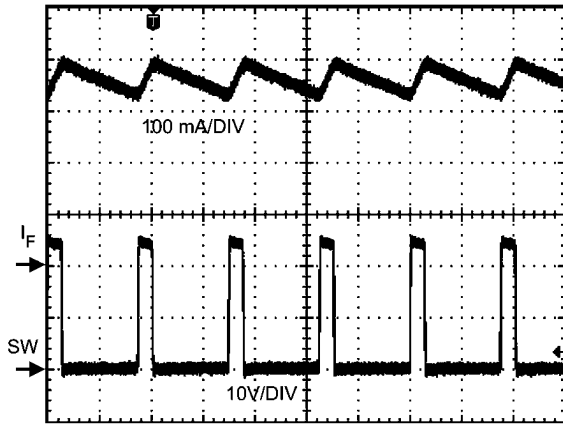
20198012

DIM Pin Disable Table 1



20198013

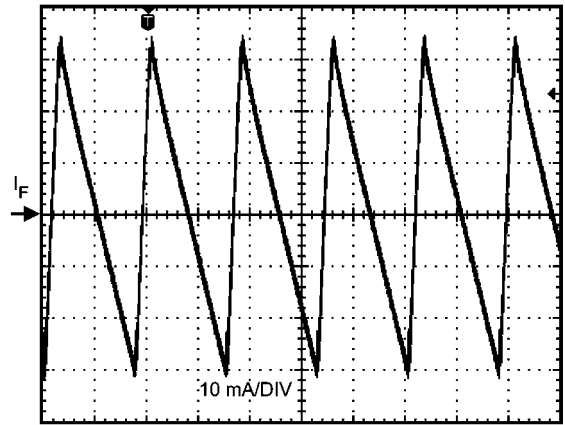
Switching Waveforms for *Table 1*



1 μ s/DIV

20198014

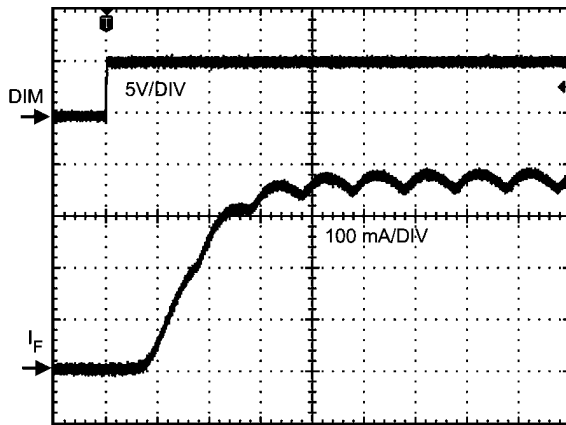
Output Ripple Current *Table 1*



1 μ s/DIV

20198015

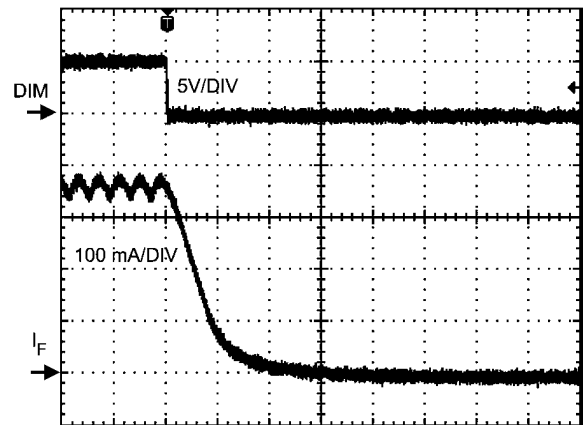
DIM Pin Enable *Table 2*



4 μ s/DIV

20198016

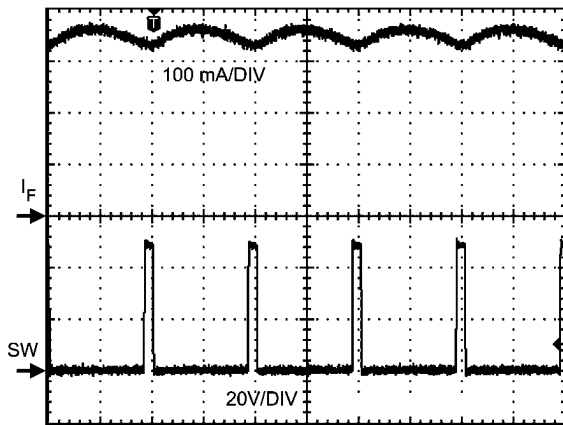
DIM Pin Disable *Table 2*



10 μ s/DIV

20198017

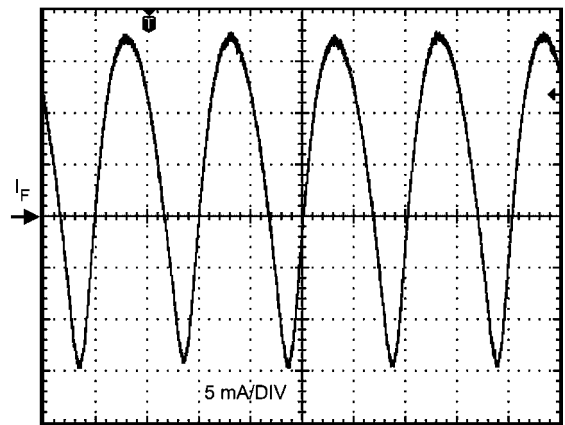
Switching Waveforms for *Table 2*



2 μ s/DIV

20198018

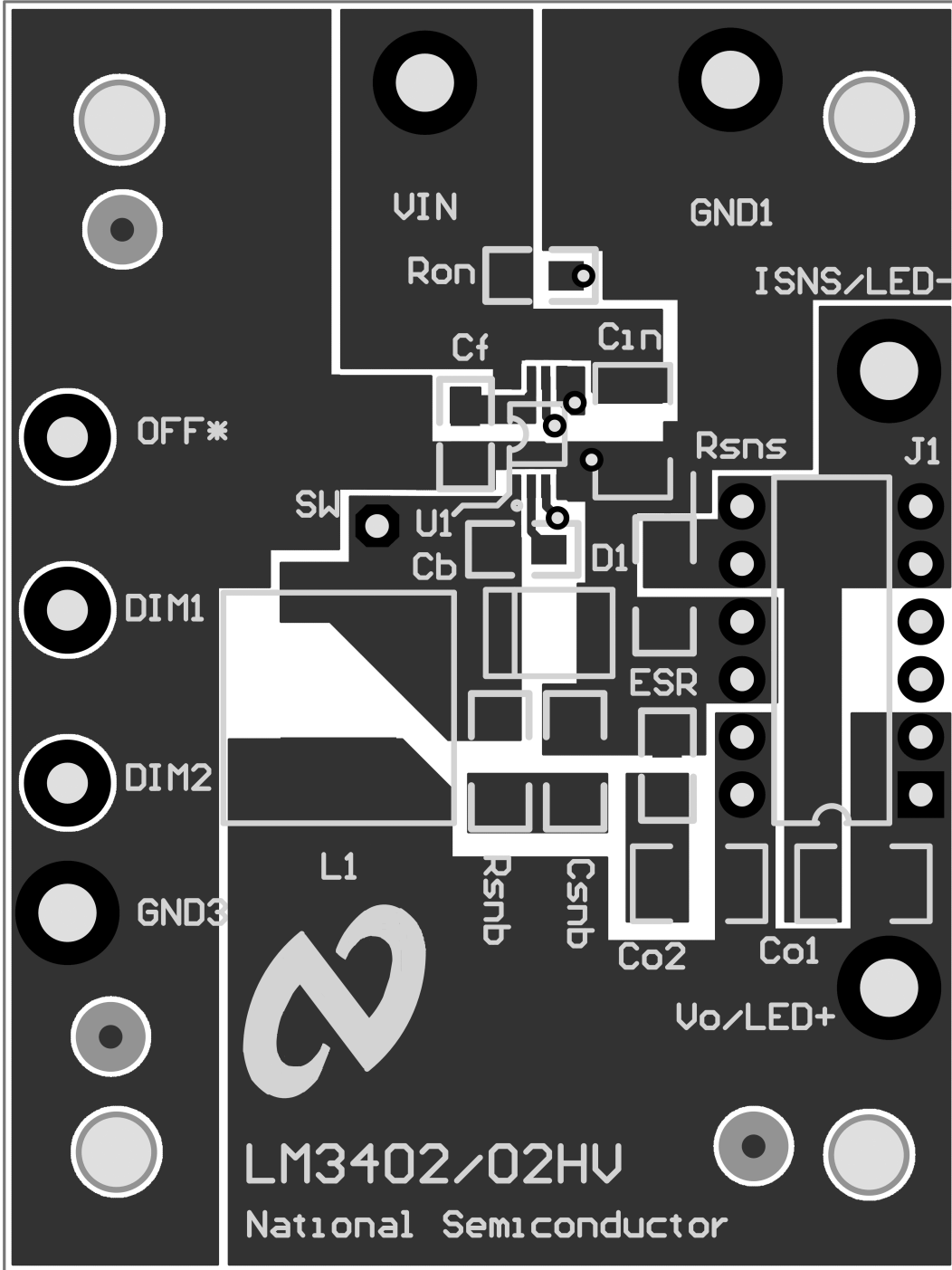
Output Ripple Current *Table 2*



2 μ s/DIV

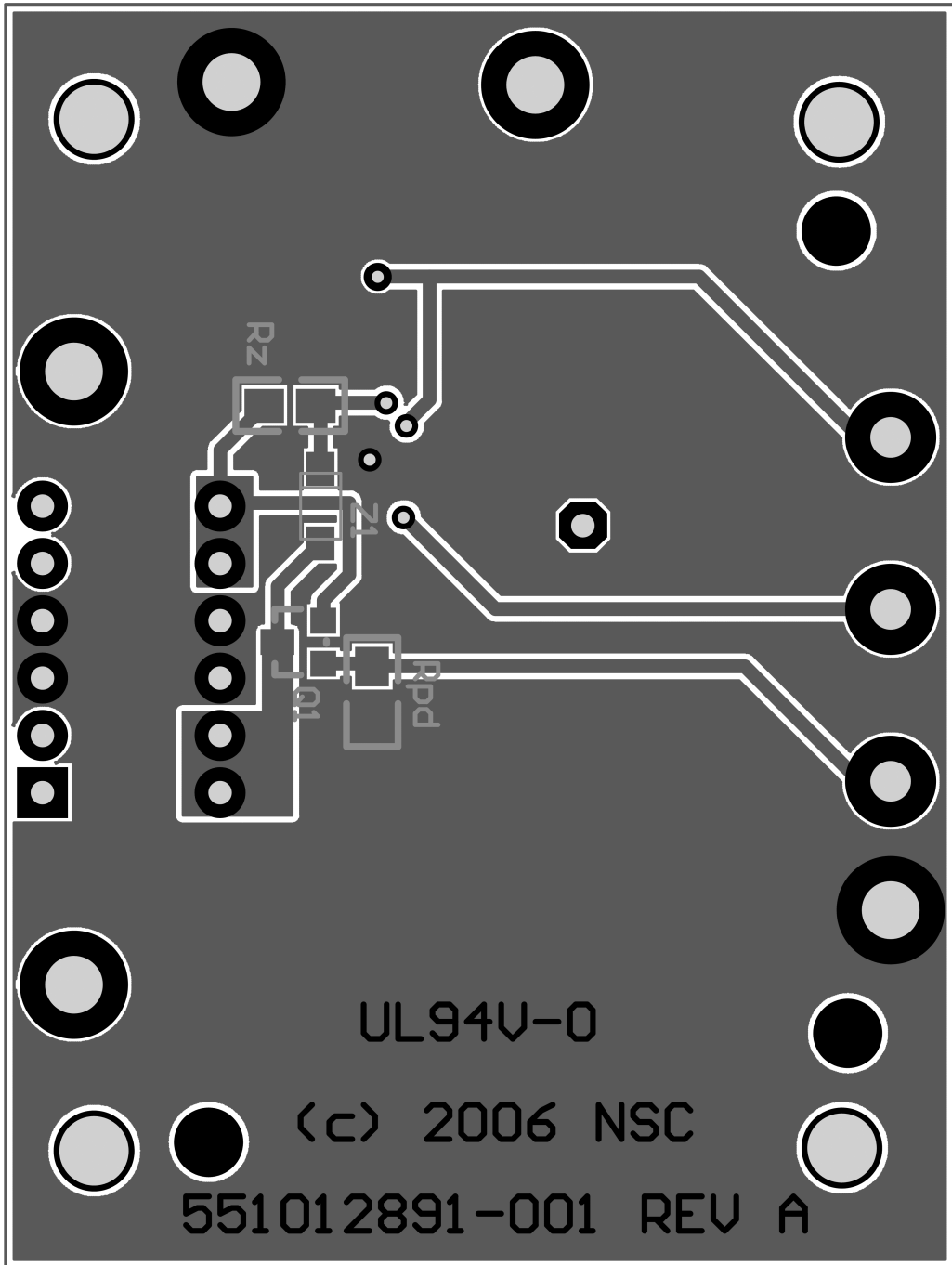
20198019

Layout



Top Layer and Top Overlay

20198006



Bottom Layer and Bottom Overlay

20198007

Notes

AN-1500

Notes

THE CONTENTS OF THIS DOCUMENT ARE PROVIDED IN CONNECTION WITH NATIONAL SEMICONDUCTOR CORPORATION ("NATIONAL") PRODUCTS. NATIONAL MAKES NO REPRESENTATIONS OR WARRANTIES WITH RESPECT TO THE ACCURACY OR COMPLETENESS OF THE CONTENTS OF THIS PUBLICATION AND RESERVES THE RIGHT TO MAKE CHANGES TO SPECIFICATIONS AND PRODUCT DESCRIPTIONS AT ANY TIME WITHOUT NOTICE. NO LICENSE, WHETHER EXPRESS, IMPLIED, ARISING BY ESTOPPEL OR OTHERWISE, TO ANY INTELLECTUAL PROPERTY RIGHTS IS GRANTED BY THIS DOCUMENT.

TESTING AND OTHER QUALITY CONTROLS ARE USED TO THE EXTENT NATIONAL DEEMS NECESSARY TO SUPPORT NATIONAL'S PRODUCT WARRANTY. EXCEPT WHERE MANDATED BY GOVERNMENT REQUIREMENTS, TESTING OF ALL PARAMETERS OF EACH PRODUCT IS NOT NECESSARILY PERFORMED. NATIONAL ASSUMES NO LIABILITY FOR APPLICATIONS ASSISTANCE OR BUYER PRODUCT DESIGN. BUYERS ARE RESPONSIBLE FOR THEIR PRODUCTS AND APPLICATIONS USING NATIONAL COMPONENTS. PRIOR TO USING OR DISTRIBUTING ANY PRODUCTS THAT INCLUDE NATIONAL COMPONENTS, BUYERS SHOULD PROVIDE ADEQUATE DESIGN, TESTING AND OPERATING SAFEGUARDS.

EXCEPT AS PROVIDED IN NATIONAL'S TERMS AND CONDITIONS OF SALE FOR SUCH PRODUCTS, NATIONAL ASSUMES NO LIABILITY WHATSOEVER, AND NATIONAL DISCLAIMS ANY EXPRESS OR IMPLIED WARRANTY RELATING TO THE SALE AND/OR USE OF NATIONAL PRODUCTS INCLUDING LIABILITY OR WARRANTIES RELATING TO FITNESS FOR A PARTICULAR PURPOSE, MERCHANTABILITY, OR INFRINGEMENT OF ANY PATENT, COPYRIGHT OR OTHER INTELLECTUAL PROPERTY RIGHT.

LIFE SUPPORT POLICY

NATIONAL'S PRODUCTS ARE NOT AUTHORIZED FOR USE AS CRITICAL COMPONENTS IN LIFE SUPPORT DEVICES OR SYSTEMS WITHOUT THE EXPRESS PRIOR WRITTEN APPROVAL OF THE CHIEF EXECUTIVE OFFICER AND GENERAL COUNSEL OF NATIONAL SEMICONDUCTOR CORPORATION. As used herein:

Life support devices or systems are devices which (a) are intended for surgical implant into the body, or (b) support or sustain life and whose failure to perform when properly used in accordance with instructions for use provided in the labeling can be reasonably expected to result in a significant injury to the user. A critical component is any component in a life support device or system whose failure to perform can be reasonably expected to cause the failure of the life support device or system or to affect its safety or effectiveness.

National Semiconductor and the National Semiconductor logo are registered trademarks of National Semiconductor Corporation. All other brand or product names may be trademarks or registered trademarks of their respective holders.

Copyright© 2007 National Semiconductor Corporation

For the most current product information visit us at www.national.com



National Semiconductor Americas Customer Support Center
 Email: new.feedback@nsc.com
 Tel: 1-800-272-9959

National Semiconductor Europe Customer Support Center
 Fax: +49 (0) 180-530-85-86
 Email: europe.support@nsc.com
 Deutsch Tel: +49 (0) 69 9508 6208
 English Tel: +49 (0) 870 24 0 2171
 Français Tel: +33 (0) 1 41 91 8790

National Semiconductor Asia Pacific Customer Support Center
 Email: ap.support@nsc.com

National Semiconductor Japan Customer Support Center
 Fax: 81-3-5639-7507
 Email: jpn.feedback@nsc.com
 Tel: 81-3-5639-7560

IMPORTANT NOTICE

Texas Instruments Incorporated and its subsidiaries (TI) reserve the right to make corrections, modifications, enhancements, improvements, and other changes to its products and services at any time and to discontinue any product or service without notice. Customers should obtain the latest relevant information before placing orders and should verify that such information is current and complete. All products are sold subject to TI's terms and conditions of sale supplied at the time of order acknowledgment.

TI warrants performance of its hardware products to the specifications applicable at the time of sale in accordance with TI's standard warranty. Testing and other quality control techniques are used to the extent TI deems necessary to support this warranty. Except where mandated by government requirements, testing of all parameters of each product is not necessarily performed.

TI assumes no liability for applications assistance or customer product design. Customers are responsible for their products and applications using TI components. To minimize the risks associated with customer products and applications, customers should provide adequate design and operating safeguards.

TI does not warrant or represent that any license, either express or implied, is granted under any TI patent right, copyright, mask work right, or other TI intellectual property right relating to any combination, machine, or process in which TI products or services are used. Information published by TI regarding third-party products or services does not constitute a license from TI to use such products or services or a warranty or endorsement thereof. Use of such information may require a license from a third party under the patents or other intellectual property of the third party, or a license from TI under the patents or other intellectual property of TI.

Reproduction of TI information in TI data books or data sheets is permissible only if reproduction is without alteration and is accompanied by all associated warranties, conditions, limitations, and notices. Reproduction of this information with alteration is an unfair and deceptive business practice. TI is not responsible or liable for such altered documentation. Information of third parties may be subject to additional restrictions.

Resale of TI products or services with statements different from or beyond the parameters stated by TI for that product or service voids all express and any implied warranties for the associated TI product or service and is an unfair and deceptive business practice. TI is not responsible or liable for any such statements.

TI products are not authorized for use in safety-critical applications (such as life support) where a failure of the TI product would reasonably be expected to cause severe personal injury or death, unless officers of the parties have executed an agreement specifically governing such use. Buyers represent that they have all necessary expertise in the safety and regulatory ramifications of their applications, and acknowledge and agree that they are solely responsible for all legal, regulatory and safety-related requirements concerning their products and any use of TI products in such safety-critical applications, notwithstanding any applications-related information or support that may be provided by TI. Further, Buyers must fully indemnify TI and its representatives against any damages arising out of the use of TI products in such safety-critical applications.

TI products are neither designed nor intended for use in military/aerospace applications or environments unless the TI products are specifically designated by TI as military-grade or "enhanced plastic." Only products designated by TI as military-grade meet military specifications. Buyers acknowledge and agree that any such use of TI products which TI has not designated as military-grade is solely at the Buyer's risk, and that they are solely responsible for compliance with all legal and regulatory requirements in connection with such use.

TI products are neither designed nor intended for use in automotive applications or environments unless the specific TI products are designated by TI as compliant with ISO/TS 16949 requirements. Buyers acknowledge and agree that, if they use any non-designated products in automotive applications, TI will not be responsible for any failure to meet such requirements.

Following are URLs where you can obtain information on other Texas Instruments products and application solutions:

Products

Audio	www.ti.com/audio
Amplifiers	amplifier.ti.com
Data Converters	dataconverter.ti.com
DLP® Products	www.dlp.com
DSP	dsp.ti.com
Clocks and Timers	www.ti.com/clocks
Interface	interface.ti.com
Logic	logic.ti.com
Power Mgmt	power.ti.com
Microcontrollers	microcontroller.ti.com
RFID	www.ti-rfid.com
OMAP Mobile Processors	www.ti.com/omap
Wireless Connectivity	www.ti.com/wirelessconnectivity

Applications

Communications and Telecom	www.ti.com/communications
Computers and Peripherals	www.ti.com/computers
Consumer Electronics	www.ti.com/consumer-apps
Energy and Lighting	www.ti.com/energy
Industrial	www.ti.com/industrial
Medical	www.ti.com/medical
Security	www.ti.com/security
Space, Avionics and Defense	www.ti.com/space-avionics-defense
Transportation and Automotive	www.ti.com/automotive
Video and Imaging	www.ti.com/video

TI E2E Community Home Page

e2e.ti.com

Mailing Address: Texas Instruments, Post Office Box 655303, Dallas, Texas 75265
Copyright © 2011, Texas Instruments Incorporated