

**LM25115,LM25115A,LM5005,LM5020,LM5026,
LM5032,LM5034,LM5073,LM5115**

Application Note 1875 LM5073HE Evaluation Board With Active Bridge



Literature Number: SNVA355

LM5073HE Evaluation Board With Active Bridge

National Semiconductor
Application Note 1875
Grant Smith
July 2, 2008



Introduction

The LM5073HE (High Efficiency) evaluation board is designed as a high performance solution for both IEEE802.3af fully compliant and non-compliant High Power over Ethernet (HPoE) applications. The possible intake power of the unit is a minimum of 26.6W for a minimum input voltage of 37VDC. To make a complete evaluation possible, the board also includes integrated Ethernet RX and TX magnetics and an RJ45 interface.

Features

- IEEE 802.3af fully compliant
- Programmable maximum input dc current through PD interface: 800mA
- Input voltage ranges:
PoE input voltage range at startup: 40 to 57V
PoE input voltage range with normal operation: 33 to 57V
- Efficient Mosfet Bridge polarity protection at input
- Measured Efficiency: 98% @ 37VDC, 720mA input
- Measured Efficiency: 98.5% @ 48VDC, 555mA input

Theory of Operation

The LM5073 is a 100V Power over Ethernet PD interface with auxiliary support. The low $R_{DS(ON)}$ PD interface hot swap MOSFET and programmable DC current limit extend the range of LM5073 applications up to twice the power level of IEEE 802.3af compliant devices. In a typical configuration, the input is polarity protected by a bridge rectifier that can cause an efficiency loss of up to 3.5%. This configuration assumes that the design requirements include maximum possible efficiency. Therefore, the polarity protection is provided by an

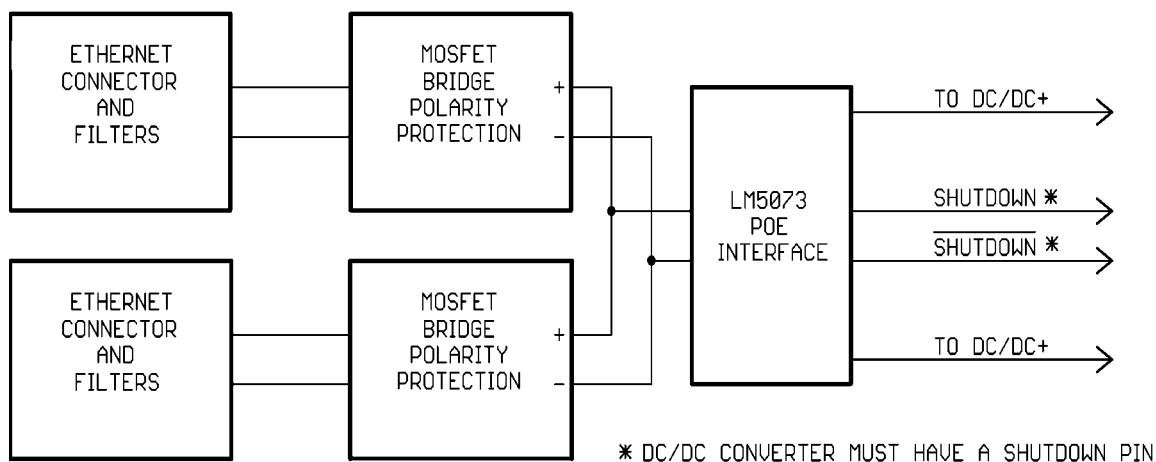
input controlled mosfet bridge which yields a typical worse case loss of 0.44%. For a more detailed description of the various features and customizations afforded, please refer to application note AN-1574.

Important Information About the Maximum Power Capability, Cable Usage and PoE Input Potentials

The LM5073HE evaluation board supports a maximum intake power of 26.6W. The user must make sure that the Power Sourcing Equipment (PSE) used can provide at least 30W, more if long cables are used.

Important: Please note that the CAT-5 cable may not support the maximum power over two pairs of twisted wires under strict safety considerations. Users shall select the proper cable wires to support the design power level without compromising the applicable safety standards. Using an improper cable at such power levels may violate various safety regulations and may cause damage.

Polarity Precaution: PoE applications are typically -48V systems, in which the notations GND and -48V normally refer to the high and low input potentials, respectively. However, for easy readability, the LM5072 datasheet was written in the positive voltage convention with positive input potentials referenced to the VEE pin of the LM5073. Therefore, when testing the evaluation board with a bench power supply, the negative terminal of the power supply is equivalent to the PoE system's -48V potential, and the positive terminal is equivalent to the PoE system ground. To prevent confusion between the datasheet and this application note, the same positive voltage convention is used.



LM5073HE Evaluation Board Block Diagram

30071301

Loading

If using an electronic load, be sure that the “LOAD ON” switch does not cause a large current surge when turned on. The LM5073 cannot have a load applied until one of the shutdown outputs attempts to turn on the DC/DC converter. At this time, too much startup current may cause the LM5073 to detect an over-current condition. The typical DC/DC converter has a soft-start feature to prevent this from being a problem. If unable to monitor the shutdown outputs, simply wait a couple of seconds after applying input power before turning on the load.

If you wish to test the evaluation board with an actual DC/DC converter as a load, be sure to connect the appropriate shutdown pin (or inverted shutdown pin) of the LM5073HE board to the appropriate shutdown pin (or inverted shutdown pin) of the DC/DC converter. The dual row 6 pin socket on the LM5073HE board will mate to a standard 0.1” center dual row header. The pin out is shown below.

The typical evaluation setup shown uses an LM5030 evaluation board as a load. There are many other possible choices,

but make sure that the electronic load at the output of the LM5030 accounts for the efficiency loss of the LM5030 board and does not exceed the limits of the LM5073HE board.

Other possible evaluation boards to consider as loads include:

LM5005 Evaluation Board, a 2.5A buck regulator for low cost non-isolated PD applications

LM5020 Evaluation Board, a current mode flyback converter

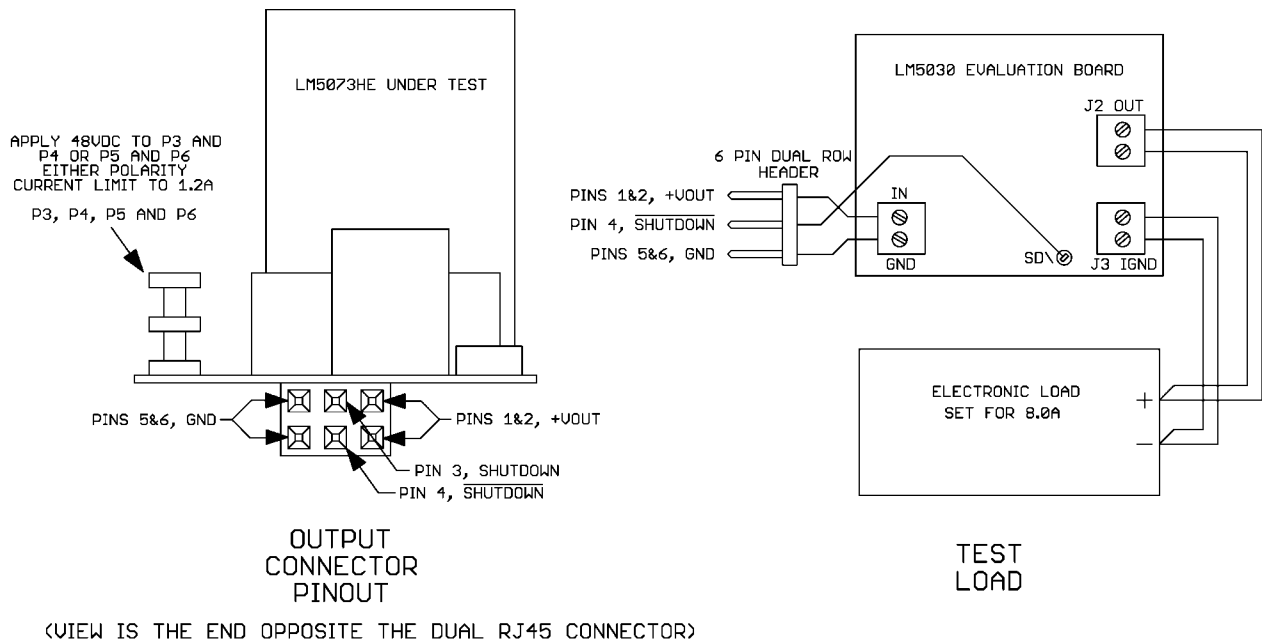
LM5025 Evaluation Board, a voltage mode active clamp forward converter

LM5026 Evaluation Board, a current mode active clamp forward converter

LM5032 Evaluation Board, a current mode dual interleaved converter

LM5034 Evaluation Board, a current mode dual interleaved converter with active clamp

LM5115 Evaluation Board, a 5A buck regulator with synchronous rectification



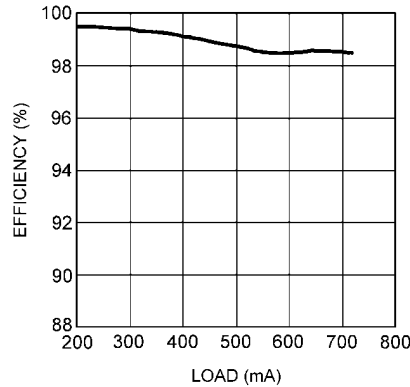
Typical Evaluation Setup

30071302

Efficiency

Figure 1 shows the typical efficiency curve at 48VDC input verses load. Since losses are almost entirely resistive, a value

of 1.05 Ohms may be used to estimate losses for other levels of current and voltage.



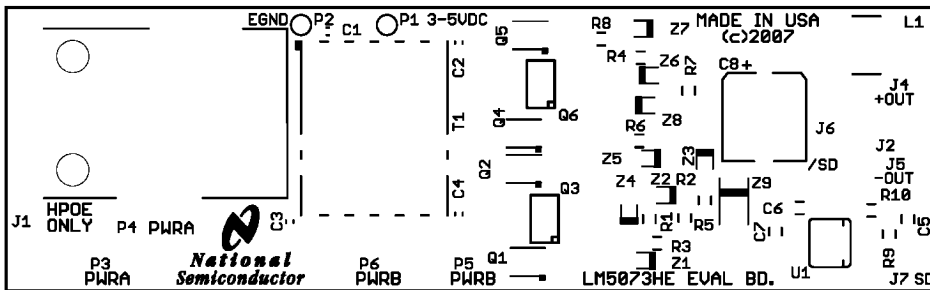
30071303

FIGURE 1. Efficiency at 48V Input

Printed Circuit Layout

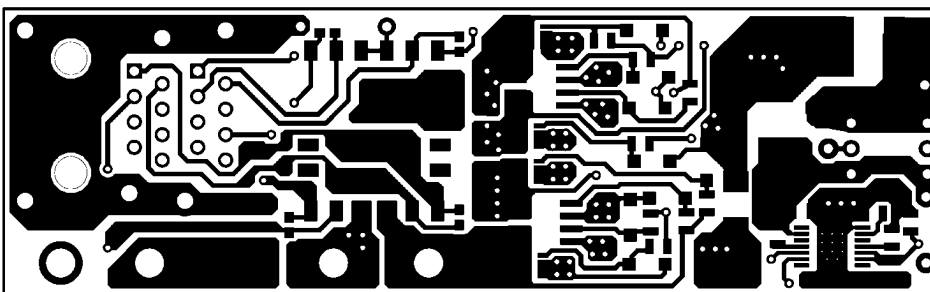
The layers of the printed circuit board are shown in top down order in Figure 2 to Figure 4. View is from the top of the board.

Scale is approximately X1.5. The printed circuit board consists of 2 layers of 2 ounce copper on FR4 material with a total thickness of 0.065 inches .



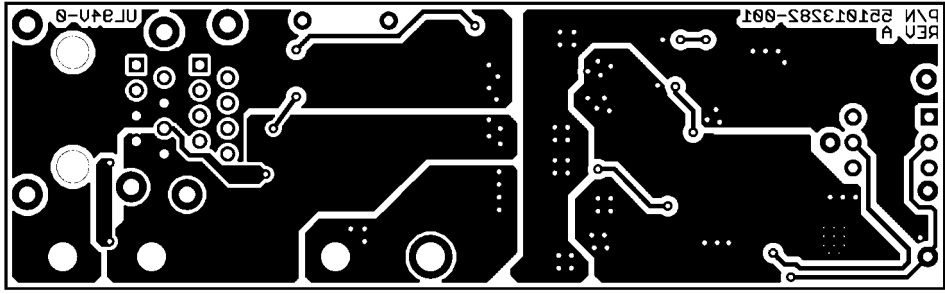
30071304

FIGURE 2. Top Silkscreen



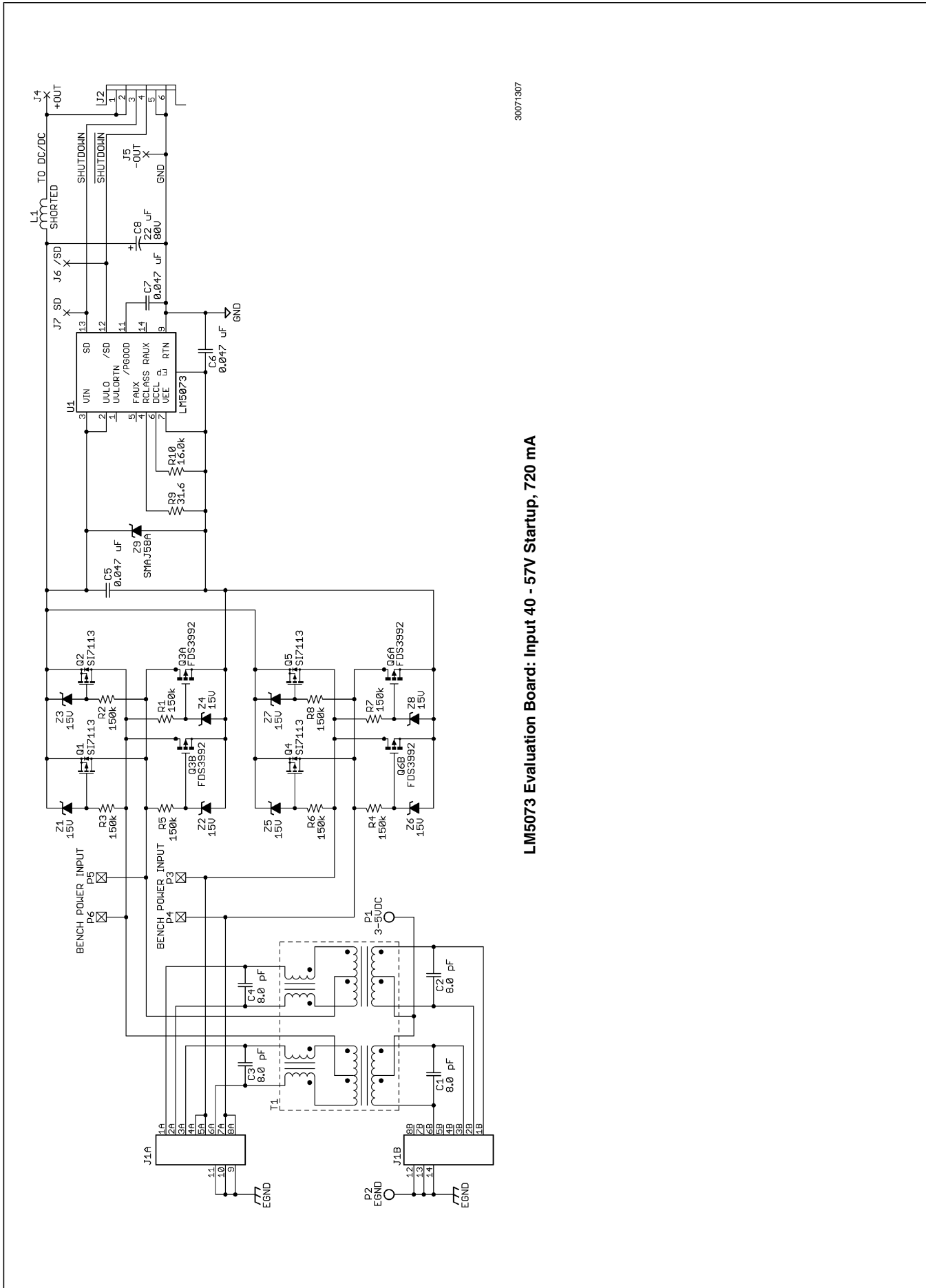
30071305

FIGURE 3. Top Copper



30071306

FIGURE 4. Bottom Copper



LM5073 Evaluation Board: Input 40 - 57V Startup, 720 mA

30071307

TABLE 1. Bill of Materials

Designator	Description	Manufacturer	Part Number
C1	8.0 pF, 50V, CER, NPO, 0603	AVX	06031A8R0CAT2A
C2	8.0 pF, 50V, CER, NPO, 0603	AVX	06031A8R0CAT2A
C3	8.0 pF, 50V, CER, NPO, 0603	AVX	06031A8R0CAT2A
C4	8.0 pF, 50V, CER, NPO, 0603	AVX	06031A8R0CAT2A
C5	0.047 μ F, 100V, X7R, 0805	TDK	C2012X7R2A473K
C6	0.047 μ F, 100V, X7R, 0805	TDK	C2012X7R2A473K
C7	0.047 μ F, 100V, X7R, 0805	TDK	C2012X7R2A473K
C8	22 μ F, 100V, ALUM ELECT, LOW ESR	PANASONIC	EEV-FK2A220P
J1	JACK, MODULAR, 2 PORT RJ45	TYCO	5569381-1
J2	SOCKET, .025" SQ POST, 3X2, R/A	TYCO	6-535512-2
L1	INDUCTOR, 4.7 μ H, 1.8A, 56m	COILCRAFT	MSS6132-472ML
P1	TEST POINT, MINIATURE	KEYSTONE	5002
P2	TEST POINT, MINIATURE	KEYSTONE	5002
P3	TERMINAL, TURRET	KEYSTONE	1503
P4	TERMINAL, TURRET	KEYSTONE	1503
P5	TERMINAL, TURRET	KEYSTONE	1503
P6	TERMINAL, TURRET	KEYSTONE	1503
Q1	MOSFET, P-CH, 100V, 134 m Ω , 1212-8	VISHAY	SI7113DN
Q2	MOSFET, P-CH, 100V, 134 m Ω , 1212-8	VISHAY	SI7113DN
Q3	MOSFET, DUAL N-CH, 100V, 62m Ω , SO8	FAIRCHILD	FDS3992
Q4	MOSFET, P-CH, 100V, 134 m Ω , 1212-8	VISHAY	SI7113DN
Q5	MOSFET, P-CH, 100V, 134 m Ω , 1212-8	VISHAY	SI7113DN
Q6	MOSFET, DUAL N-CH, 100V, 62 m Ω , SO8	FAIRCHILD	FDS3992
R1	RESISTOR, 150K, 1%, 1/8W, 0805	VISHAY	CRCW0805150KF
R2	RESISTOR, 150K, 1%, 1/8W, 0805	VISHAY	CRCW0805150KF
R3	RESISTOR, 150K, 1%, 1/8W, 0805	VISHAY	CRCW0805150KF
R4	RESISTOR, 150K, 1%, 1/8W, 0805	VISHAY	CRCW0805150KF
R5	RESISTOR, 150K, 1%, 1/8W, 0805	VISHAY	CRCW0805150KF
R6	RESISTOR, 150K, 1%, 1/8W, 0805	VISHAY	CRCW0805150KF
R7	RESISTOR, 150K, 1%, 1/8W, 0805	VISHAY	CRCW0805150KF
R8	RESISTOR, 150K, 1%, 1/8W, 0805	VISHAY	CRCW0805150KF
R9	RESISTOR, 31.6, 1%, 1/8W, 0805	VISHAY	CRCW080531R6F
R10	RESISTOR, 15.0K, 1%, 1/8W, 0805	VISHAY	CRCW080515K0F
T1	SIGNAL PATH HPOE MAGNETICS	COILCRAFT	ETH1-230L
U1	IC, POE INTERFACE, TSSOP-14 EP	NATIONAL SEMICONDUCTOR	LM5073MH
Z1	ZENER, 15V @ 50 μ A, SOD-123	CENTRAL SEMICONDUCTOR	CMHZ4702
Z2	ZENER, 15V @ 50 μ A, SOD-123	CENTRAL SEMICONDUCTOR	CMHZ4702
Z3	ZENER, 15V @ 50 μ A, SOD-123	CENTRAL SEMICONDUCTOR	CMHZ4702
Z4	ZENER, 15V @ 50 μ A, SOD-123	CENTRAL SEMICONDUCTOR	CMHZ4702
Z5	ZENER, 15V @ 50 μ A, SOD-123	CENTRAL SEMICONDUCTOR	CMHZ4702
Z6	ZENER, 15V @ 50 μ A, SOD-123	CENTRAL SEMICONDUCTOR	CMHZ4702
Z7	ZENER, 15V @ 50 μ A, SOD-123	CENTRAL SEMICONDUCTOR	CMHZ4702
Z8	ZENER, 15V @ 50 μ A, SOD-123	CENTRAL SEMICONDUCTOR	CMHZ4702
Z9	DIODE, TVS, 60V, SMA	DIODES INC.	SMAJ60A-13

Notes

AN-1875

Notes

For more National Semiconductor product information and proven design tools, visit the following Web sites at:

Products		Design Support	
Amplifiers	www.national.com/amplifiers	WEBENCH	www.national.com/webench
Audio	www.national.com/audio	Analog University	www.national.com/AU
Clock Conditioners	www.national.com/timing	App Notes	www.national.com/appnotes
Data Converters	www.national.com/adc	Distributors	www.national.com/contacts
Displays	www.national.com/displays	Green Compliance	www.national.com/quality/green
Ethernet	www.national.com/ethernet	Packaging	www.national.com/packaging
Interface	www.national.com/interface	Quality and Reliability	www.national.com/quality
LVDS	www.national.com/lvds	Reference Designs	www.national.com/refdesigns
Power Management	www.national.com/power	Feedback	www.national.com/feedback
Switching Regulators	www.national.com/switchers		
LDOs	www.national.com/lido		
LED Lighting	www.national.com/led		
PowerWise	www.national.com/powerwise		
Serial Digital Interface (SDI)	www.national.com/sdi		
Temperature Sensors	www.national.com/tempsensors		
Wireless (PLL/VCO)	www.national.com/wireless		

THE CONTENTS OF THIS DOCUMENT ARE PROVIDED IN CONNECTION WITH NATIONAL SEMICONDUCTOR CORPORATION ("NATIONAL") PRODUCTS. NATIONAL MAKES NO REPRESENTATIONS OR WARRANTIES WITH RESPECT TO THE ACCURACY OR COMPLETENESS OF THE CONTENTS OF THIS PUBLICATION AND RESERVES THE RIGHT TO MAKE CHANGES TO SPECIFICATIONS AND PRODUCT DESCRIPTIONS AT ANY TIME WITHOUT NOTICE. NO LICENSE, WHETHER EXPRESS, IMPLIED, ARISING BY ESTOPPEL OR OTHERWISE, TO ANY INTELLECTUAL PROPERTY RIGHTS IS GRANTED BY THIS DOCUMENT.

TESTING AND OTHER QUALITY CONTROLS ARE USED TO THE EXTENT NATIONAL DEEMS NECESSARY TO SUPPORT NATIONAL'S PRODUCT WARRANTY. EXCEPT WHERE MANDATED BY GOVERNMENT REQUIREMENTS, TESTING OF ALL PARAMETERS OF EACH PRODUCT IS NOT NECESSARILY PERFORMED. NATIONAL ASSUMES NO LIABILITY FOR APPLICATIONS ASSISTANCE OR BUYER PRODUCT DESIGN. BUYERS ARE RESPONSIBLE FOR THEIR PRODUCTS AND APPLICATIONS USING NATIONAL COMPONENTS. PRIOR TO USING OR DISTRIBUTING ANY PRODUCTS THAT INCLUDE NATIONAL COMPONENTS, BUYERS SHOULD PROVIDE ADEQUATE DESIGN, TESTING AND OPERATING SAFEGUARDS.

EXCEPT AS PROVIDED IN NATIONAL'S TERMS AND CONDITIONS OF SALE FOR SUCH PRODUCTS, NATIONAL ASSUMES NO LIABILITY WHATSOEVER, AND NATIONAL DISCLAIMS ANY EXPRESS OR IMPLIED WARRANTY RELATING TO THE SALE AND/OR USE OF NATIONAL PRODUCTS INCLUDING LIABILITY OR WARRANTIES RELATING TO FITNESS FOR A PARTICULAR PURPOSE, MERCHANTABILITY, OR INFRINGEMENT OF ANY PATENT, COPYRIGHT OR OTHER INTELLECTUAL PROPERTY RIGHT.

LIFE SUPPORT POLICY

NATIONAL'S PRODUCTS ARE NOT AUTHORIZED FOR USE AS CRITICAL COMPONENTS IN LIFE SUPPORT DEVICES OR SYSTEMS WITHOUT THE EXPRESS PRIOR WRITTEN APPROVAL OF THE CHIEF EXECUTIVE OFFICER AND GENERAL COUNSEL OF NATIONAL SEMICONDUCTOR CORPORATION. As used herein:

Life support devices or systems are devices which (a) are intended for surgical implant into the body, or (b) support or sustain life and whose failure to perform when properly used in accordance with instructions for use provided in the labeling can be reasonably expected to result in a significant injury to the user. A critical component is any component in a life support device or system whose failure to perform can be reasonably expected to cause the failure of the life support device or system or to affect its safety or effectiveness.

National Semiconductor and the National Semiconductor logo are registered trademarks of National Semiconductor Corporation. All other brand or product names may be trademarks or registered trademarks of their respective holders.

Copyright© 2008 National Semiconductor Corporation

For the most current product information visit us at www.national.com



**National Semiconductor
Americas Technical
Support Center**
Email: support@nsc.com
Tel: 1-800-272-9959

**National Semiconductor Europe
Technical Support Center**
Email: europe.support@nsc.com
German Tel: +49 (0) 180 5010 771
English Tel: +44 (0) 870 850 4288

**National Semiconductor Asia
Pacific Technical Support Center**
Email: ap.support@nsc.com

**National Semiconductor Japan
Technical Support Center**
Email: jpn.feedback@nsc.com

IMPORTANT NOTICE

Texas Instruments Incorporated and its subsidiaries (TI) reserve the right to make corrections, modifications, enhancements, improvements, and other changes to its products and services at any time and to discontinue any product or service without notice. Customers should obtain the latest relevant information before placing orders and should verify that such information is current and complete. All products are sold subject to TI's terms and conditions of sale supplied at the time of order acknowledgment.

TI warrants performance of its hardware products to the specifications applicable at the time of sale in accordance with TI's standard warranty. Testing and other quality control techniques are used to the extent TI deems necessary to support this warranty. Except where mandated by government requirements, testing of all parameters of each product is not necessarily performed.

TI assumes no liability for applications assistance or customer product design. Customers are responsible for their products and applications using TI components. To minimize the risks associated with customer products and applications, customers should provide adequate design and operating safeguards.

TI does not warrant or represent that any license, either express or implied, is granted under any TI patent right, copyright, mask work right, or other TI intellectual property right relating to any combination, machine, or process in which TI products or services are used. Information published by TI regarding third-party products or services does not constitute a license from TI to use such products or services or a warranty or endorsement thereof. Use of such information may require a license from a third party under the patents or other intellectual property of the third party, or a license from TI under the patents or other intellectual property of TI.

Reproduction of TI information in TI data books or data sheets is permissible only if reproduction is without alteration and is accompanied by all associated warranties, conditions, limitations, and notices. Reproduction of this information with alteration is an unfair and deceptive business practice. TI is not responsible or liable for such altered documentation. Information of third parties may be subject to additional restrictions.

Resale of TI products or services with statements different from or beyond the parameters stated by TI for that product or service voids all express and any implied warranties for the associated TI product or service and is an unfair and deceptive business practice. TI is not responsible or liable for any such statements.

TI products are not authorized for use in safety-critical applications (such as life support) where a failure of the TI product would reasonably be expected to cause severe personal injury or death, unless officers of the parties have executed an agreement specifically governing such use. Buyers represent that they have all necessary expertise in the safety and regulatory ramifications of their applications, and acknowledge and agree that they are solely responsible for all legal, regulatory and safety-related requirements concerning their products and any use of TI products in such safety-critical applications, notwithstanding any applications-related information or support that may be provided by TI. Further, Buyers must fully indemnify TI and its representatives against any damages arising out of the use of TI products in such safety-critical applications.

TI products are neither designed nor intended for use in military/aerospace applications or environments unless the TI products are specifically designated by TI as military-grade or "enhanced plastic." Only products designated by TI as military-grade meet military specifications. Buyers acknowledge and agree that any such use of TI products which TI has not designated as military-grade is solely at the Buyer's risk, and that they are solely responsible for compliance with all legal and regulatory requirements in connection with such use.

TI products are neither designed nor intended for use in automotive applications or environments unless the specific TI products are designated by TI as compliant with ISO/TS 16949 requirements. Buyers acknowledge and agree that, if they use any non-designated products in automotive applications, TI will not be responsible for any failure to meet such requirements.

Following are URLs where you can obtain information on other Texas Instruments products and application solutions:

Products

Audio	www.ti.com/audio
Amplifiers	amplifier.ti.com
Data Converters	dataconverter.ti.com
DLP® Products	www.dlp.com
DSP	dsp.ti.com
Clocks and Timers	www.ti.com/clocks
Interface	interface.ti.com
Logic	logic.ti.com
Power Mgmt	power.ti.com
Microcontrollers	microcontroller.ti.com
RFID	www.ti-rfid.com
OMAP Mobile Processors	www.ti.com/omap
Wireless Connectivity	www.ti.com/wirelessconnectivity

Applications

Communications and Telecom	www.ti.com/communications
Computers and Peripherals	www.ti.com/computers
Consumer Electronics	www.ti.com/consumer-apps
Energy and Lighting	www.ti.com/energy
Industrial	www.ti.com/industrial
Medical	www.ti.com/medical
Security	www.ti.com/security
Space, Avionics and Defense	www.ti.com/space-avionics-defense
Transportation and Automotive	www.ti.com/automotive
Video and Imaging	www.ti.com/video

TI E2E Community Home Page

e2e.ti.com

Mailing Address: Texas Instruments, Post Office Box 655303, Dallas, Texas 75265
Copyright © 2011, Texas Instruments Incorporated