

LP38502-ADJ

Application Note 1831 LP38502ATJ-ADJ Evaluation Board



Literature Number: SNVA340

LP38502ATJ-ADJ Evaluation Board

National Semiconductor
Application Note 1831
Chester Simpson
April 4, 2008

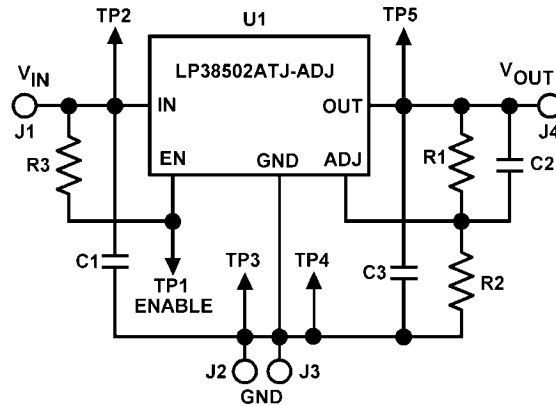


Introduction

The LP38502ATJ-ADJ is a 1.5A Low-Dropout (LDO) linear regulator in the thin TO-263 package which has an adjustable output voltage (set by external resistors).

Basic Application Circuit

The basic application circuit which is built up on the evaluation board is shown in *Figure 1*:



30060201

FIGURE 1. Basic Application Circuit

Changing the Output Voltage

The resistors R1 and R2 set the output voltage. The equation to determine output voltage is:

$$V_{OUT} = V_{ADJ} \times (1 + R1/R2)$$

where V_{ADJ} is typically 0.6V.

The board has installed values of:

$$R1 = 19.1k\Omega$$

$$R2 = 6.04k\Omega$$

Which sets the output to 2.5V. R1 can be adjusted to change the nominal output voltage to other values. The minimum output voltage which can be set is the ADJ pin voltage, which is approximately 0.6V. This is obtained by installing a jumper or low value resistor (less than 10 Ω) at R1. The maximum usable output voltage is limited by the maximum input voltage which is 5.5V. Since rated dropout voltage at full current is 0.375V, this means the maximum usable output voltage for full current operation is about 5.1V.

Feedforward Capacitor C2

The PCB layout includes a location for C2, which is a feedforward capacitor connected across R1. If the data sheet guidelines are followed, and R2 does not exceed 10 k Ω , C2 is not required and has no effect on performance. The internal compensation is such that an internal zero provides more than adequate phase margin so external compensation is never needed.

However, if the value of R2 is increased above 10 k Ω , the effect of the internal zero gradually diminishes and the phase

margin is reduced. At an R2 value of approximately 50 k Ω , the phase margin will be low enough that instability may occur. In such cases, some of the lost phase margin can be regained by placing a capacitor at C2. Although it is sometimes possible to regain adequate phase margin this way, it is recommended that the data sheet guidelines be followed and R2 not exceed 10 k Ω (so C2 is never required).

Power Dissipation

The power dissipated within the regulator IC is given by:

$$P_D = I_L (V_{IN} - V_{OUT})$$

Where:

P_D is the power dissipated in the IC regulator U1.

I_L is the load current.

V_{IN} is the value of V_{IN} measured at TP2 (not at J1).

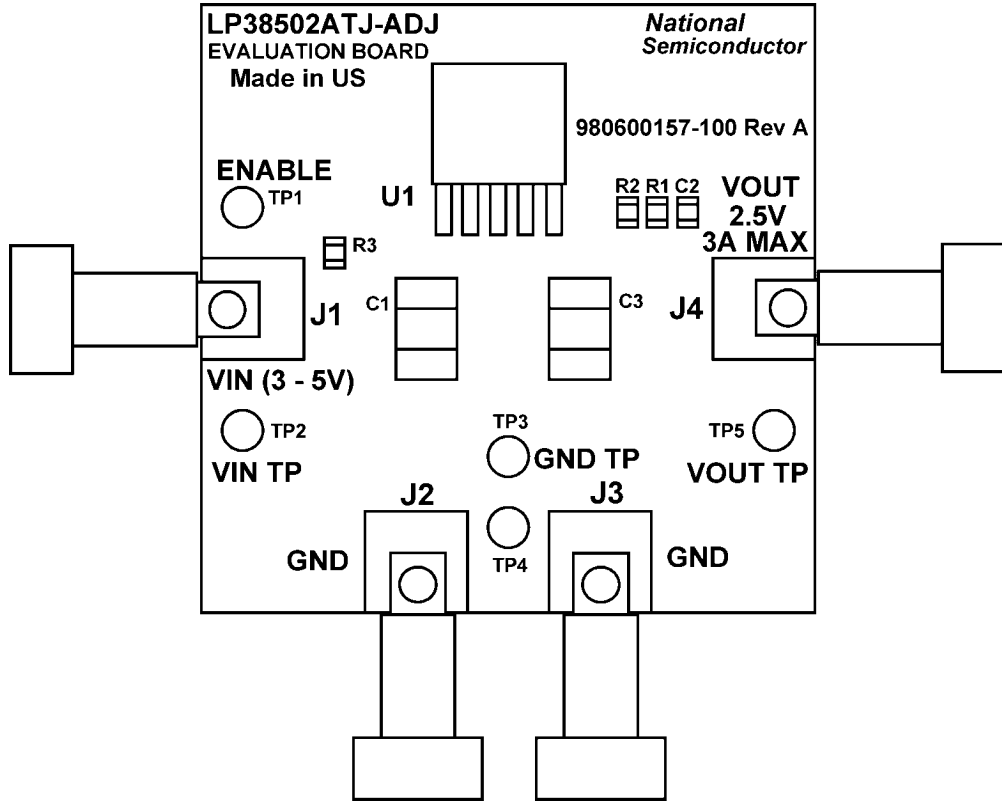
V_{OUT} is the value of V_{OUT} measured at TP5 (not at J4).

The thermal resistance of U1 from junction to ambient can be assumed to be approximately 30 $^{\circ}$ C/W for this assembly. That means that the junction temperature will rise about 30 $^{\circ}$ C above ambient for each Watt of power dissipated within the IC.

The parametric specifications of the IC are for a maximum junction temperature of 125 $^{\circ}$ C, and the maximum allowable junction temperature is 150 $^{\circ}$ C. **This limits maximum usable power dissipation for this package to approximately 3.3W.** If power dissipation exceeds this (and the junction temperature approaches 150 $^{\circ}$ C) the part may go into thermal shutdown.

PCB Component Layout

The components listed in the basic application circuit can be identified using the silkscreen on the top layer of the PCB (see Figure 2):



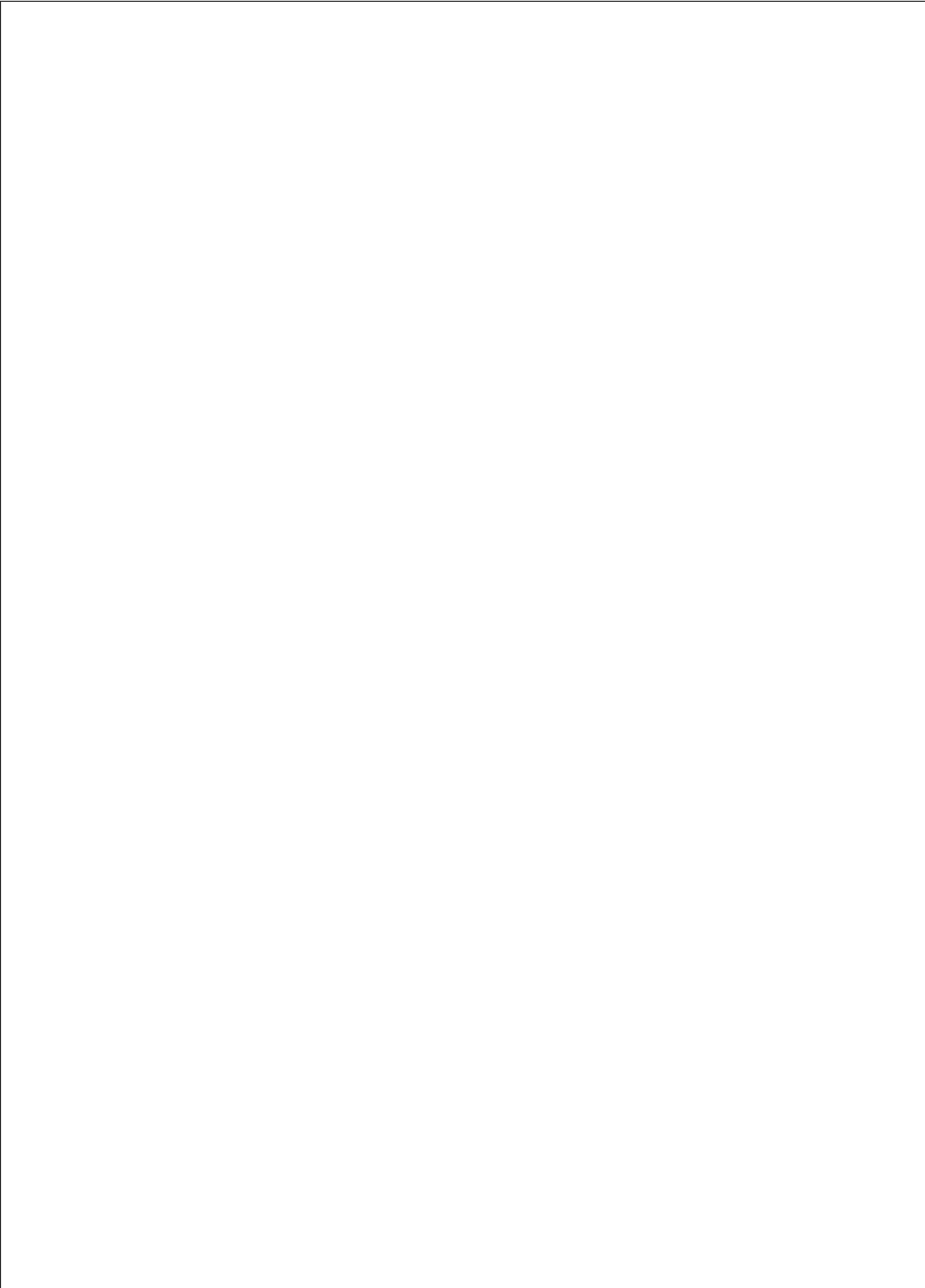
30060202

FIGURE 2. Top View of the PCB Assembly

Bill of Materials

The initial evaluation boards were built up for a 2.5V regulated output. The components used in the PCB assembly are listed below:

| Designator | Qty. | Description | Part Number |
|------------|------|-------------------------------------|--------------------------|
| PCB | 1 | PC board | 551600157-001 |
| R1 | 1 | Resistor, 19.1kΩ, 1% | Vishay CRCW08051912F |
| R2 | 1 | Resistor, 6.04kΩ, 1% | Vishay CRCW08056041F |
| R3 | 1 | Resistor, 51.1kΩ, 1% | Vishay CRCW08055112F |
| J1 | 1 | Red Banana Jack | Digi-Key J-151-ND |
| J2,J3 | 2 | Black Banana Jack | Digi-Key J-152-ND |
| J4 | 1 | Blue Banana Jack | Digi-Key J-155-ND |
| C1,C3 | 2 | Cap, CER, 10 μF | Digi-Key PCC2225CT-ND |
| TP1-TP5 | 5 | Test Points | Newark 160-2043-02-01-00 |
| U1 | 1 | IC, LP38502ATJ-ADJ | LP38502ATJ-ADJ |
| C2 | | ****NOT INSTALLED FOR THIS ASSEMBLY | |



Notes

For more National Semiconductor product information and proven design tools, visit the following Web sites at:

| Products | | Design Support | |
|--------------------------------|--|-------------------------|--|
| Amplifiers | www.national.com/amplifiers | WEBENCH | www.national.com/webench |
| Audio | www.national.com/audio | Analog University | www.national.com/AU |
| Clock Conditioners | www.national.com/timing | App Notes | www.national.com/appnotes |
| Data Converters | www.national.com/adc | Distributors | www.national.com/contacts |
| Displays | www.national.com/displays | Green Compliance | www.national.com/quality/green |
| Ethernet | www.national.com/ethernet | Packaging | www.national.com/packaging |
| Interface | www.national.com/interface | Quality and Reliability | www.national.com/quality |
| LVDS | www.national.com/lvds | Reference Designs | www.national.com/refdesigns |
| Power Management | www.national.com/power | Feedback | www.national.com/feedback |
| Switching Regulators | www.national.com/switchers | | |
| LDOs | www.national.com/lido | | |
| LED Lighting | www.national.com/led | | |
| PowerWise | www.national.com/powerwise | | |
| Serial Digital Interface (SDI) | www.national.com/sdi | | |
| Temperature Sensors | www.national.com/tempsensors | | |
| Wireless (PLL/VCO) | www.national.com/wireless | | |

THE CONTENTS OF THIS DOCUMENT ARE PROVIDED IN CONNECTION WITH NATIONAL SEMICONDUCTOR CORPORATION ("NATIONAL") PRODUCTS. NATIONAL MAKES NO REPRESENTATIONS OR WARRANTIES WITH RESPECT TO THE ACCURACY OR COMPLETENESS OF THE CONTENTS OF THIS PUBLICATION AND RESERVES THE RIGHT TO MAKE CHANGES TO SPECIFICATIONS AND PRODUCT DESCRIPTIONS AT ANY TIME WITHOUT NOTICE. NO LICENSE, WHETHER EXPRESS, IMPLIED, ARISING BY ESTOPPEL OR OTHERWISE, TO ANY INTELLECTUAL PROPERTY RIGHTS IS GRANTED BY THIS DOCUMENT.

TESTING AND OTHER QUALITY CONTROLS ARE USED TO THE EXTENT NATIONAL DEEMS NECESSARY TO SUPPORT NATIONAL'S PRODUCT WARRANTY. EXCEPT WHERE MANDATED BY GOVERNMENT REQUIREMENTS, TESTING OF ALL PARAMETERS OF EACH PRODUCT IS NOT NECESSARILY PERFORMED. NATIONAL ASSUMES NO LIABILITY FOR APPLICATIONS ASSISTANCE OR BUYER PRODUCT DESIGN. BUYERS ARE RESPONSIBLE FOR THEIR PRODUCTS AND APPLICATIONS USING NATIONAL COMPONENTS. PRIOR TO USING OR DISTRIBUTING ANY PRODUCTS THAT INCLUDE NATIONAL COMPONENTS, BUYERS SHOULD PROVIDE ADEQUATE DESIGN, TESTING AND OPERATING SAFEGUARDS.

EXCEPT AS PROVIDED IN NATIONAL'S TERMS AND CONDITIONS OF SALE FOR SUCH PRODUCTS, NATIONAL ASSUMES NO LIABILITY WHATSOEVER, AND NATIONAL DISCLAIMS ANY EXPRESS OR IMPLIED WARRANTY RELATING TO THE SALE AND/OR USE OF NATIONAL PRODUCTS INCLUDING LIABILITY OR WARRANTIES RELATING TO FITNESS FOR A PARTICULAR PURPOSE, MERCHANTABILITY, OR INFRINGEMENT OF ANY PATENT, COPYRIGHT OR OTHER INTELLECTUAL PROPERTY RIGHT.

LIFE SUPPORT POLICY

NATIONAL'S PRODUCTS ARE NOT AUTHORIZED FOR USE AS CRITICAL COMPONENTS IN LIFE SUPPORT DEVICES OR SYSTEMS WITHOUT THE EXPRESS PRIOR WRITTEN APPROVAL OF THE CHIEF EXECUTIVE OFFICER AND GENERAL COUNSEL OF NATIONAL SEMICONDUCTOR CORPORATION. As used herein:

Life support devices or systems are devices which (a) are intended for surgical implant into the body, or (b) support or sustain life and whose failure to perform when properly used in accordance with instructions for use provided in the labeling can be reasonably expected to result in a significant injury to the user. A critical component is any component in a life support device or system whose failure to perform can be reasonably expected to cause the failure of the life support device or system or to affect its safety or effectiveness.

National Semiconductor and the National Semiconductor logo are registered trademarks of National Semiconductor Corporation. All other brand or product names may be trademarks or registered trademarks of their respective holders.

Copyright© 2008 National Semiconductor Corporation

For the most current product information visit us at www.national.com



**National Semiconductor
Americas Technical
Support Center**
Email:
new.feedback@nsc.com
Tel: 1-800-272-9959

**National Semiconductor Europe
Technical Support Center**
Email: europe.support@nsc.com
German Tel: +49 (0) 180 5010 771
English Tel: +44 (0) 870 850 4288

**National Semiconductor Asia
Pacific Technical Support Center**
Email: ap.support@nsc.com

**National Semiconductor Japan
Technical Support Center**
Email: jpn.feedback@nsc.com

IMPORTANT NOTICE

Texas Instruments Incorporated and its subsidiaries (TI) reserve the right to make corrections, modifications, enhancements, improvements, and other changes to its products and services at any time and to discontinue any product or service without notice. Customers should obtain the latest relevant information before placing orders and should verify that such information is current and complete. All products are sold subject to TI's terms and conditions of sale supplied at the time of order acknowledgment.

TI warrants performance of its hardware products to the specifications applicable at the time of sale in accordance with TI's standard warranty. Testing and other quality control techniques are used to the extent TI deems necessary to support this warranty. Except where mandated by government requirements, testing of all parameters of each product is not necessarily performed.

TI assumes no liability for applications assistance or customer product design. Customers are responsible for their products and applications using TI components. To minimize the risks associated with customer products and applications, customers should provide adequate design and operating safeguards.

TI does not warrant or represent that any license, either express or implied, is granted under any TI patent right, copyright, mask work right, or other TI intellectual property right relating to any combination, machine, or process in which TI products or services are used. Information published by TI regarding third-party products or services does not constitute a license from TI to use such products or services or a warranty or endorsement thereof. Use of such information may require a license from a third party under the patents or other intellectual property of the third party, or a license from TI under the patents or other intellectual property of TI.

Reproduction of TI information in TI data books or data sheets is permissible only if reproduction is without alteration and is accompanied by all associated warranties, conditions, limitations, and notices. Reproduction of this information with alteration is an unfair and deceptive business practice. TI is not responsible or liable for such altered documentation. Information of third parties may be subject to additional restrictions.

Resale of TI products or services with statements different from or beyond the parameters stated by TI for that product or service voids all express and any implied warranties for the associated TI product or service and is an unfair and deceptive business practice. TI is not responsible or liable for any such statements.

TI products are not authorized for use in safety-critical applications (such as life support) where a failure of the TI product would reasonably be expected to cause severe personal injury or death, unless officers of the parties have executed an agreement specifically governing such use. Buyers represent that they have all necessary expertise in the safety and regulatory ramifications of their applications, and acknowledge and agree that they are solely responsible for all legal, regulatory and safety-related requirements concerning their products and any use of TI products in such safety-critical applications, notwithstanding any applications-related information or support that may be provided by TI. Further, Buyers must fully indemnify TI and its representatives against any damages arising out of the use of TI products in such safety-critical applications.

TI products are neither designed nor intended for use in military/aerospace applications or environments unless the TI products are specifically designated by TI as military-grade or "enhanced plastic." Only products designated by TI as military-grade meet military specifications. Buyers acknowledge and agree that any such use of TI products which TI has not designated as military-grade is solely at the Buyer's risk, and that they are solely responsible for compliance with all legal and regulatory requirements in connection with such use.

TI products are neither designed nor intended for use in automotive applications or environments unless the specific TI products are designated by TI as compliant with ISO/TS 16949 requirements. Buyers acknowledge and agree that, if they use any non-designated products in automotive applications, TI will not be responsible for any failure to meet such requirements.

Following are URLs where you can obtain information on other Texas Instruments products and application solutions:

Products

| | |
|------------------------|--|
| Audio | www.ti.com/audio |
| Amplifiers | amplifier.ti.com |
| Data Converters | dataconverter.ti.com |
| DLP® Products | www.dlp.com |
| DSP | dsp.ti.com |
| Clocks and Timers | www.ti.com/clocks |
| Interface | interface.ti.com |
| Logic | logic.ti.com |
| Power Mgmt | power.ti.com |
| Microcontrollers | microcontroller.ti.com |
| RFID | www.ti-rfid.com |
| OMAP Mobile Processors | www.ti.com/omap |
| Wireless Connectivity | www.ti.com/wirelessconnectivity |

Applications

| | |
|-------------------------------|--|
| Communications and Telecom | www.ti.com/communications |
| Computers and Peripherals | www.ti.com/computers |
| Consumer Electronics | www.ti.com/consumer-apps |
| Energy and Lighting | www.ti.com/energy |
| Industrial | www.ti.com/industrial |
| Medical | www.ti.com/medical |
| Security | www.ti.com/security |
| Space, Avionics and Defense | www.ti.com/space-avionics-defense |
| Transportation and Automotive | www.ti.com/automotive |
| Video and Imaging | www.ti.com/video |

TI E2E Community Home Page

e2e.ti.com

Mailing Address: Texas Instruments, Post Office Box 655303, Dallas, Texas 75265
Copyright © 2011, Texas Instruments Incorporated